



US00D419458S

United States Patent [19]

Adolphs

[11] Patent Number: **Des. 419,458**

[45] Date of Patent: **** Jan. 25, 2000**

[54] METAL DETECTOR

[75] Inventor: **Peter Adolphs**, Hong Kong, The Hong Kong Special Administrative Region of the People's Republic of China

[73] Assignee: **SAP South Asian Pacific Co. Ltd.**, Tsuen Wan, The Hong Kong Special Administrative Region of the People's Republic of China

[**] Term: **14 Years**

[21] Appl. No.: **29/101,038**

[22] Filed: **Feb. 23, 1999**

[30] **Foreign Application Priority Data**

Sep. 11, 1998 [DE] Germany 4 98 09 123

[51] **LOC (7) Cl.** **10-04**

[52] **U.S. Cl.** **D10/46**

[58] **Field of Search** D10/46; 324/327, 324/329

[56] **References Cited**

U.S. PATENT DOCUMENTS

D. 333,990 3/1993 Johnson et al. D10/46
5,825,298 10/1998 Walter 324/329 X

Primary Examiner—Antoine Duval Davis
Attorney, Agent, or Firm—Collard & Roe, P.C.

[57] **CLAIM**

The ornamental design for a metal detector, as shown and described.

DESCRIPTION

FIG. 1 shows a front perspective view of my design for a metal detector;

FIG. 2 shows a right side perspective view thereof;

FIG. 3 shows a rear view thereof;

FIG. 4 shows a left view thereof;

FIG. 5 shows a top view thereof;

FIG. 6 shows a bottom view thereof; and,

FIG. 7 shows a front view thereof.

1 Claim, 4 Drawing Sheets

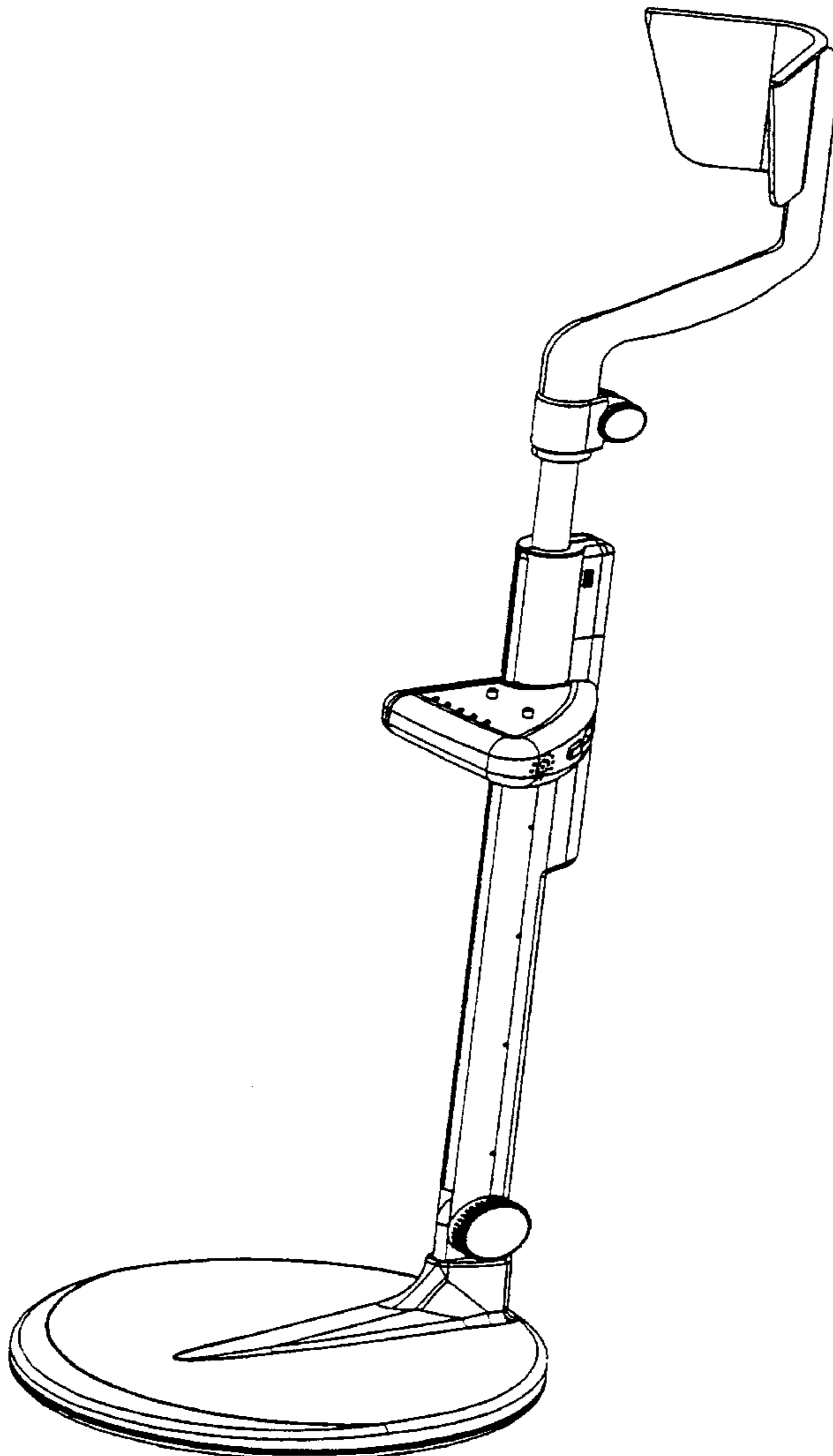


FIG. 1

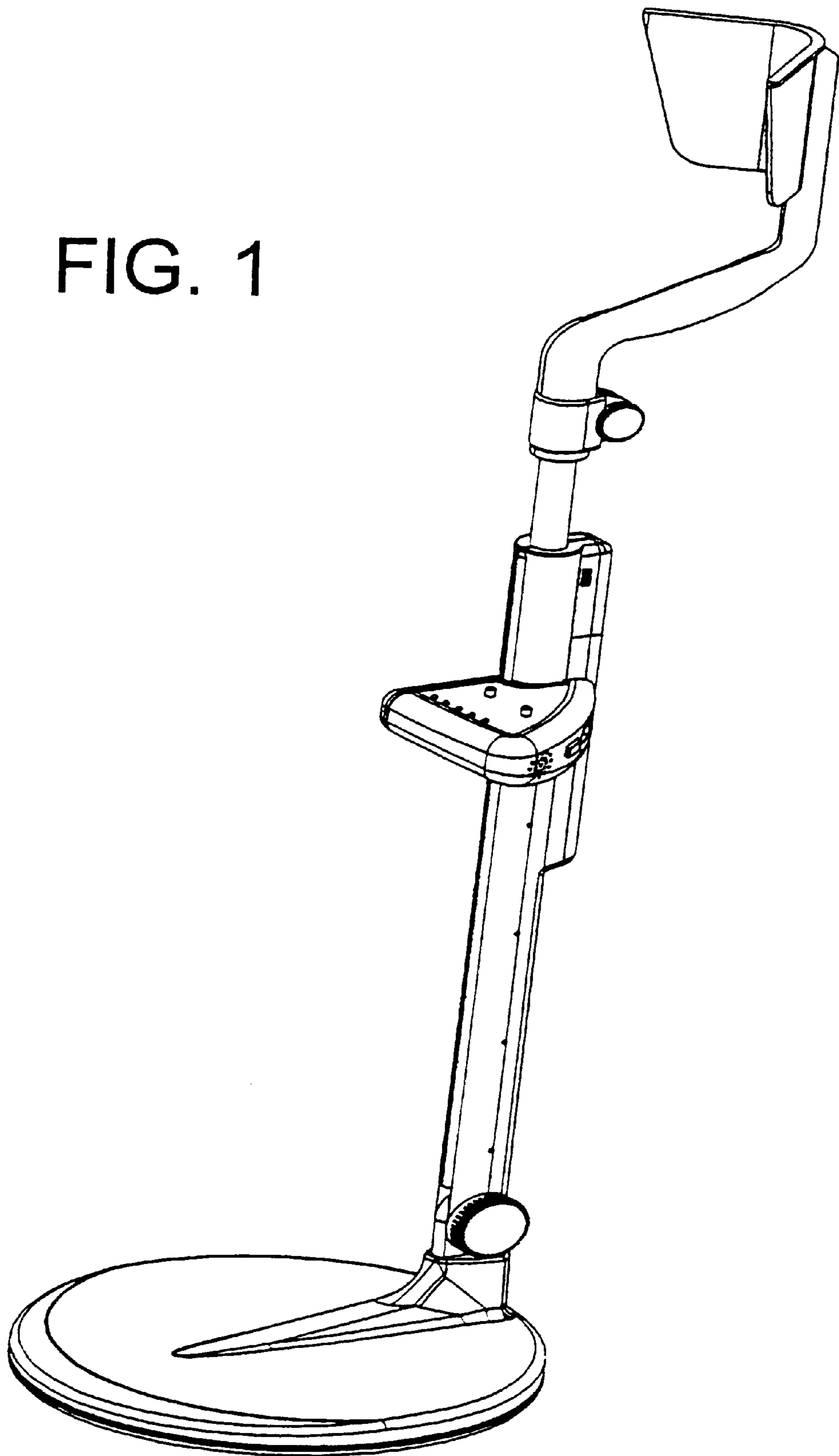


FIG. 2

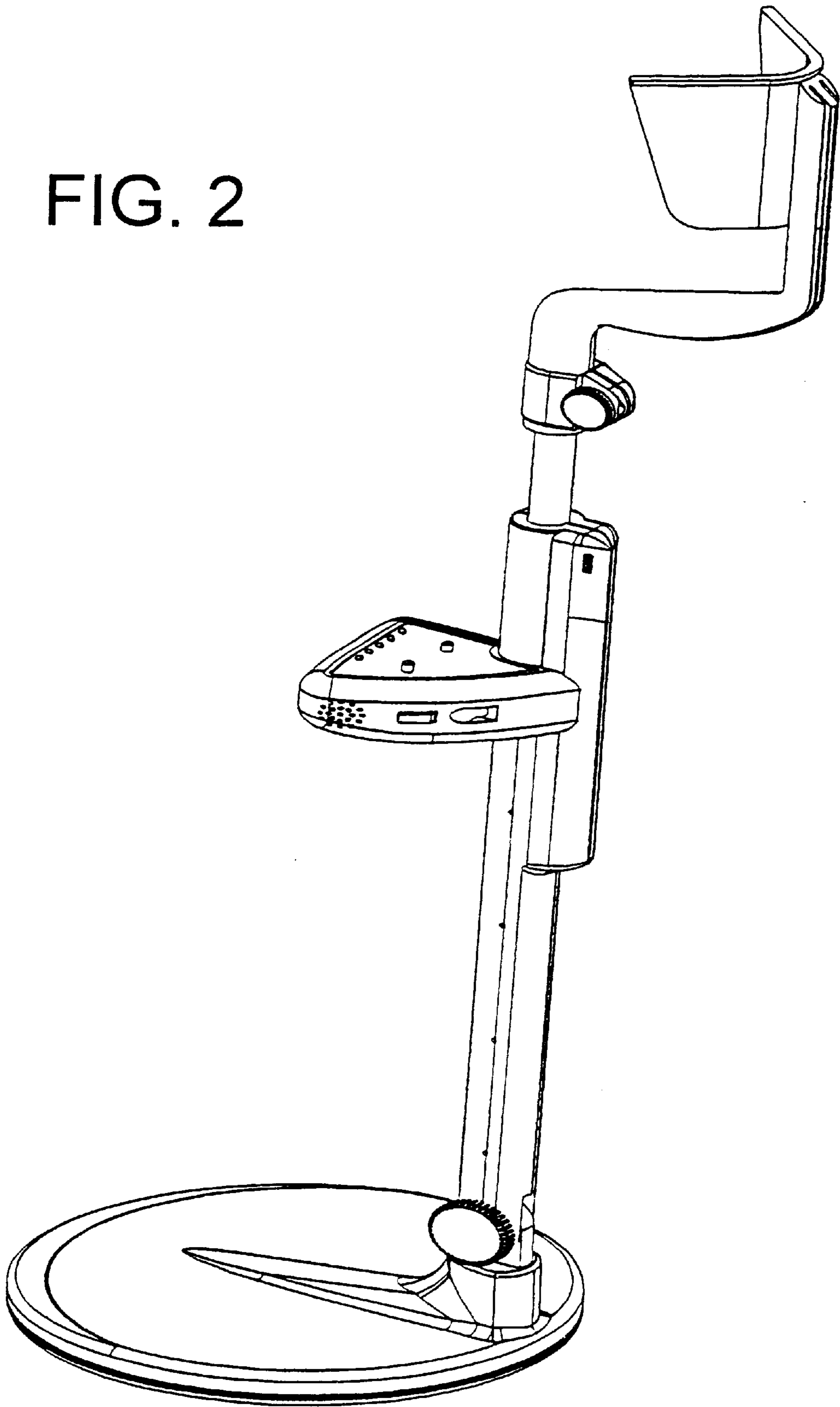


FIG. 3

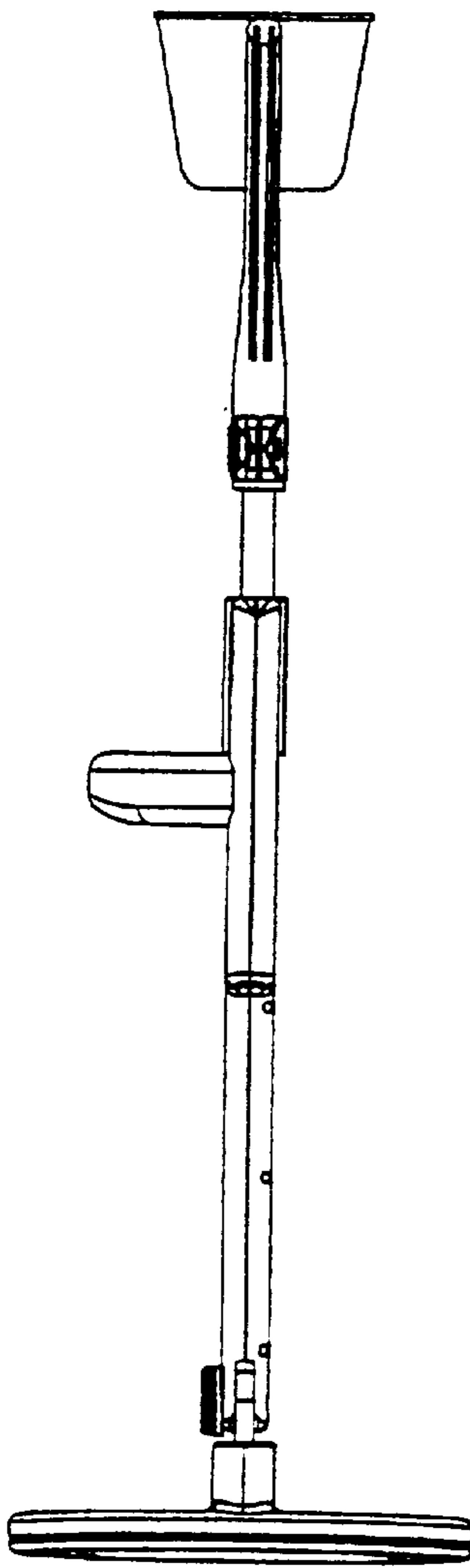
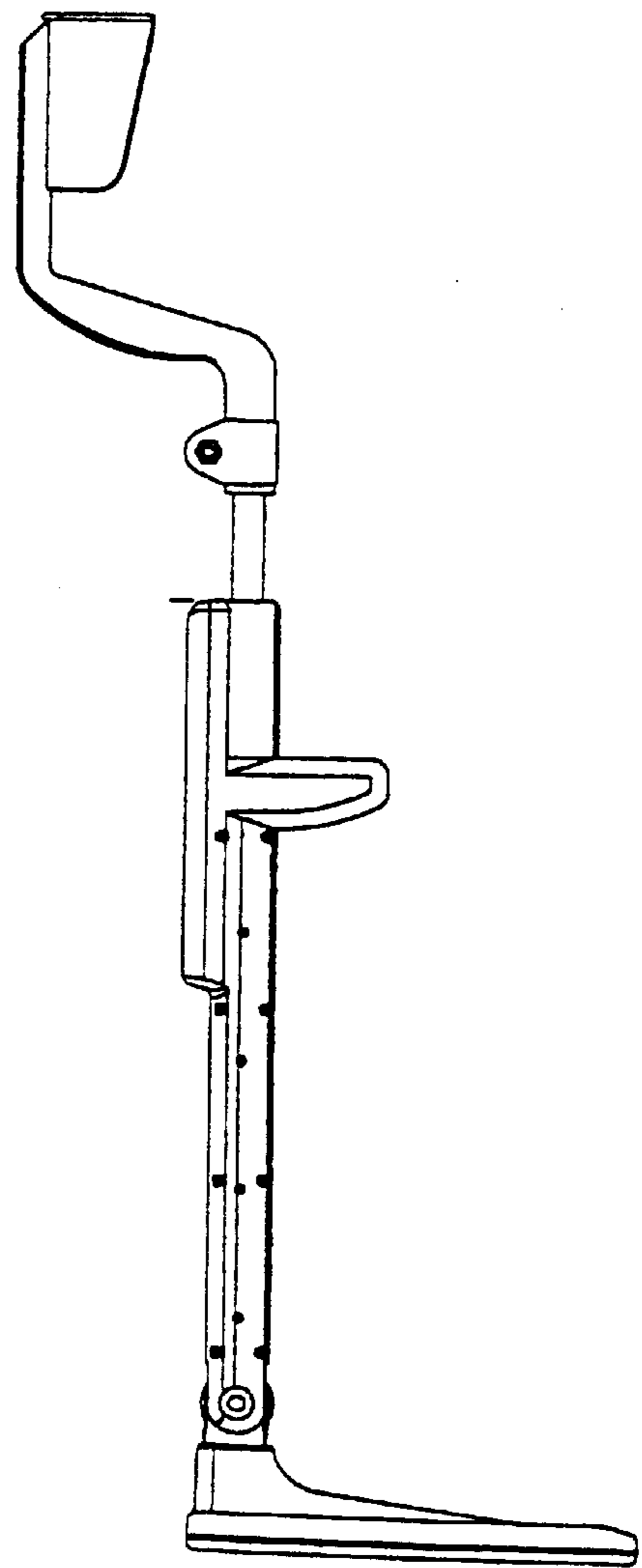


FIG. 4



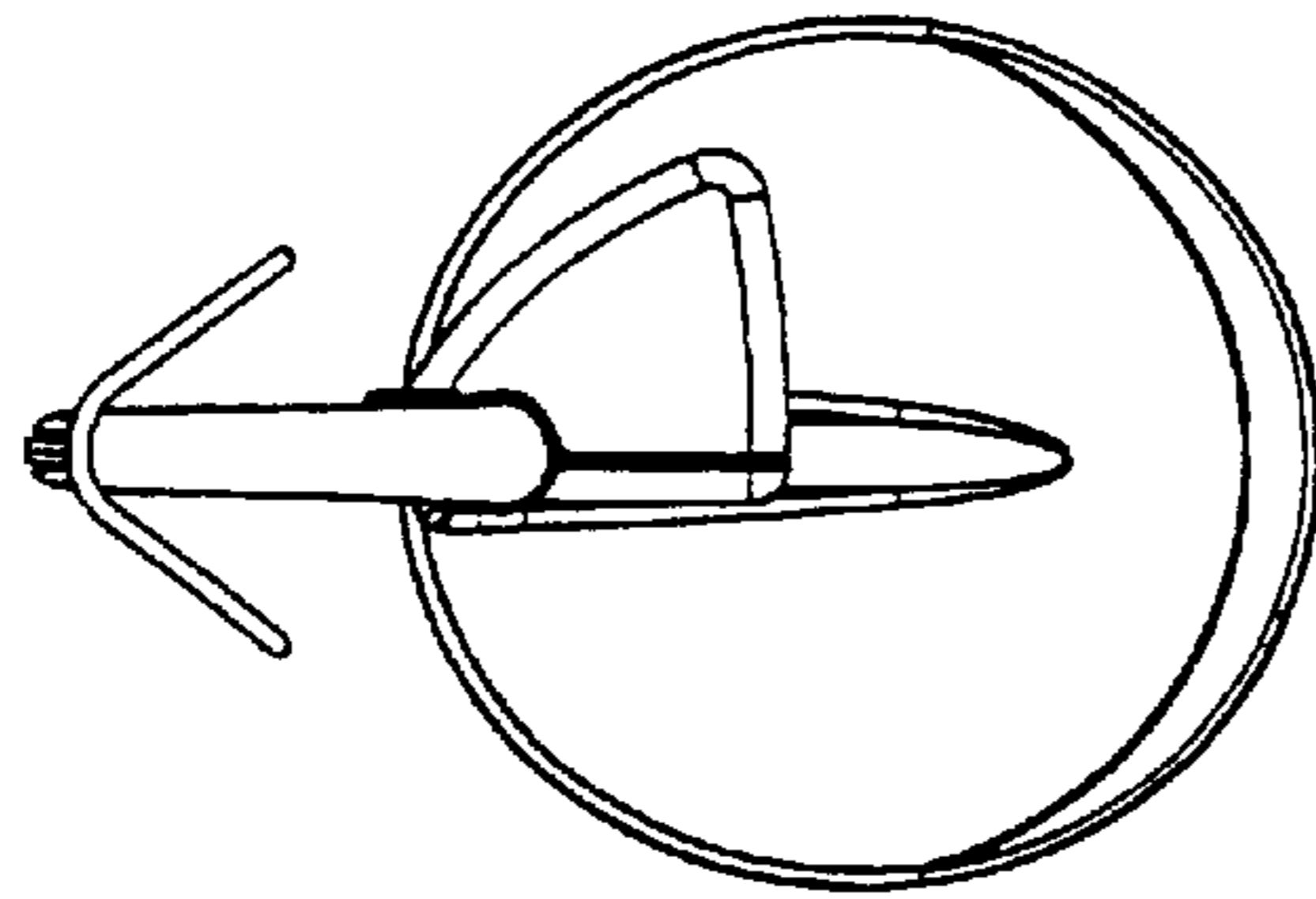


FIG. 5

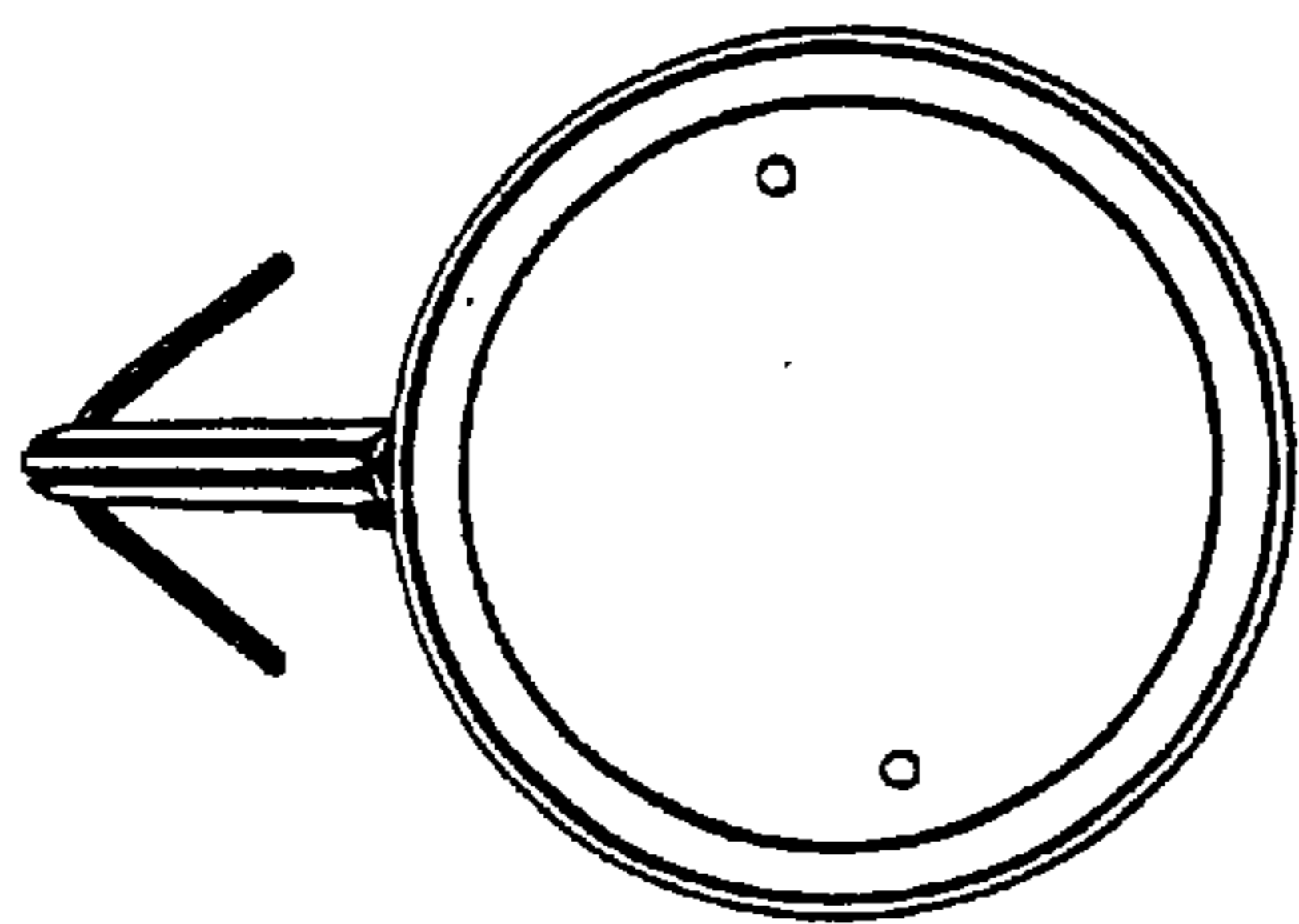


FIG. 6

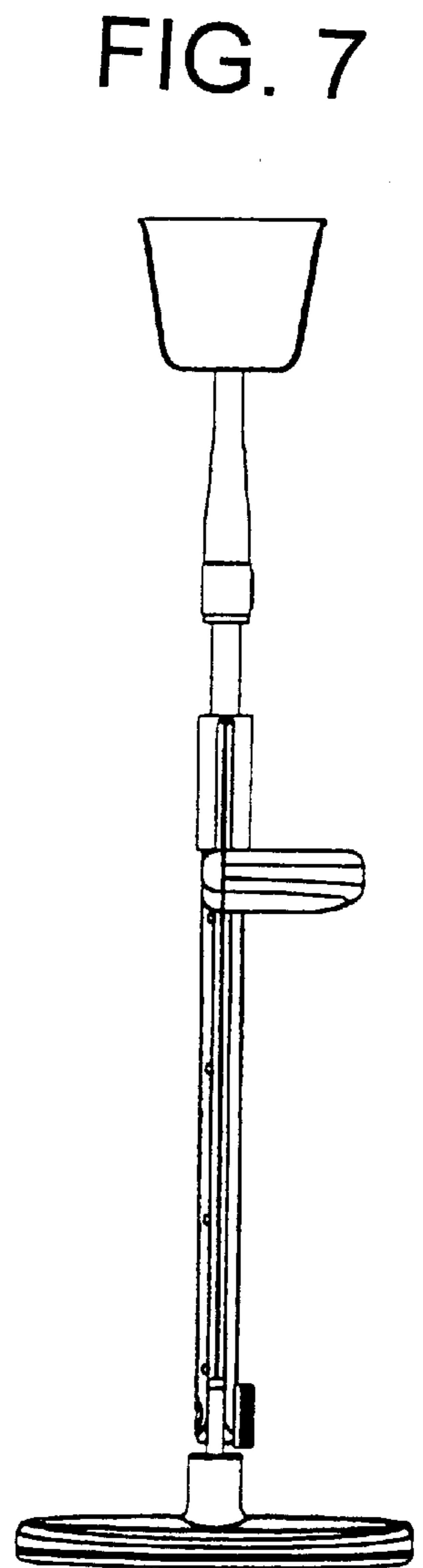


FIG. 7