



US00D419440S

United States Patent [19] Hansen

[11] **Patent Number: Des. 419,440**
[45] **Date of Patent: ** Jan. 25, 2000**

[54] **BOX**
[75] Inventor: **Finn R. Hansen**, Hønefoss, Norway
[73] Assignee: **Rieber & Son A/S**, Bergen, Norway
[**] Term: **14 Years**
[21] Appl. No.: **29/102,927**
[22] Filed: **Apr. 5, 1999**

2,967,610 1/1961 Ebert et al. .
3,090,483 5/1963 Altree et al. .
4,380,289 4/1983 Bigelow .
4,746,010 5/1988 Fournier .
4,778,057 10/1988 Allen et al. .
4,815,609 3/1989 Kiedaisch .
5,012,929 5/1991 Roosa 229/120.011
5,699,957 12/1997 Blin et al. 229/120.011 X
5,921,398 7/1999 Carroll 229/235

Primary Examiner—Prabhakar Deshmukh
Attorney, Agent, or Firm—Davis and Bujold

Related U.S. Application Data

[62] Division of application No. 29/062,103, Nov. 7, 1996, Pat. No. Des. 412,114.
[51] **LOC (7) Cl.** **09-07**
[52] **U.S. Cl.** **D9/416; D9/432; D9/433**
[58] **Field of Search** D9/416, 417, 432, D9/347, 433; 229/235, 120.011, 120.01, 200, 210; 206/769, 770, 775, 781

[57] CLAIM

I claim the ornamental design for box, as shown and described.

DESCRIPTION

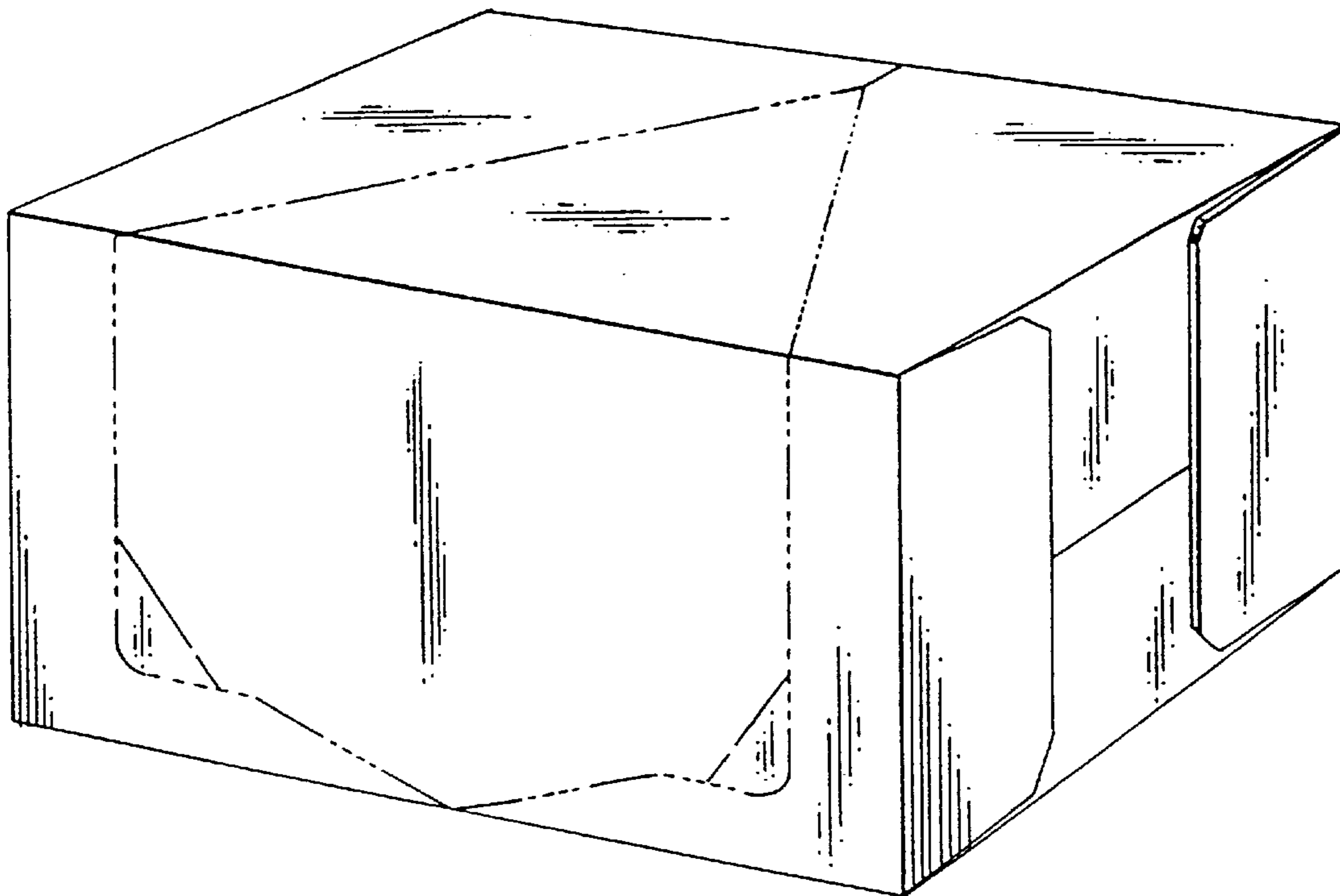
FIG. 1 is a top, front, right side perspective view of a box embodying my new design;
FIG. 2 is a bottom, rear, right side perspective view thereof, the left side view being a mirror image of the right side;
FIG. 3 is a plan view thereof in an unfolded condition; and,
FIG. 4 is a perspective view following removal of the pull tab with the box shown partially folded.
The broken line showing of files inside the box is for illustrative purpose only and forms no part of the claimed design.

[56] References Cited

U.S. PATENT DOCUMENTS

D. 268,649 4/1983 Adamson et al. .
D. 270,041 8/1983 Vestal .
D. 271,944 12/1983 Wood .
D. 311,493 10/1990 Boone .
1,842,205 1/1932 Russell .
2,407,415 9/1946 Grazian .

1 Claim, 3 Drawing Sheets



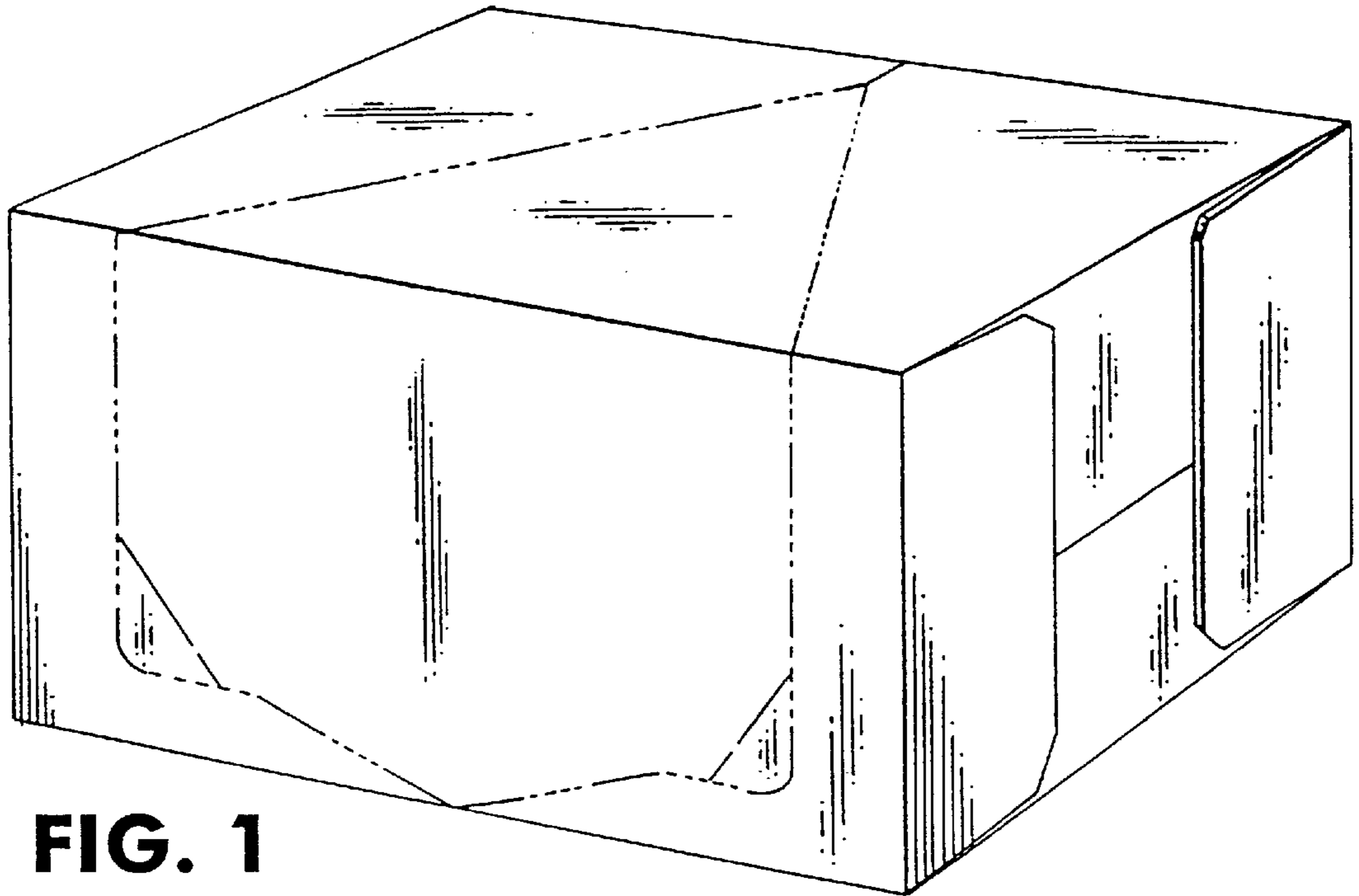


FIG. 1

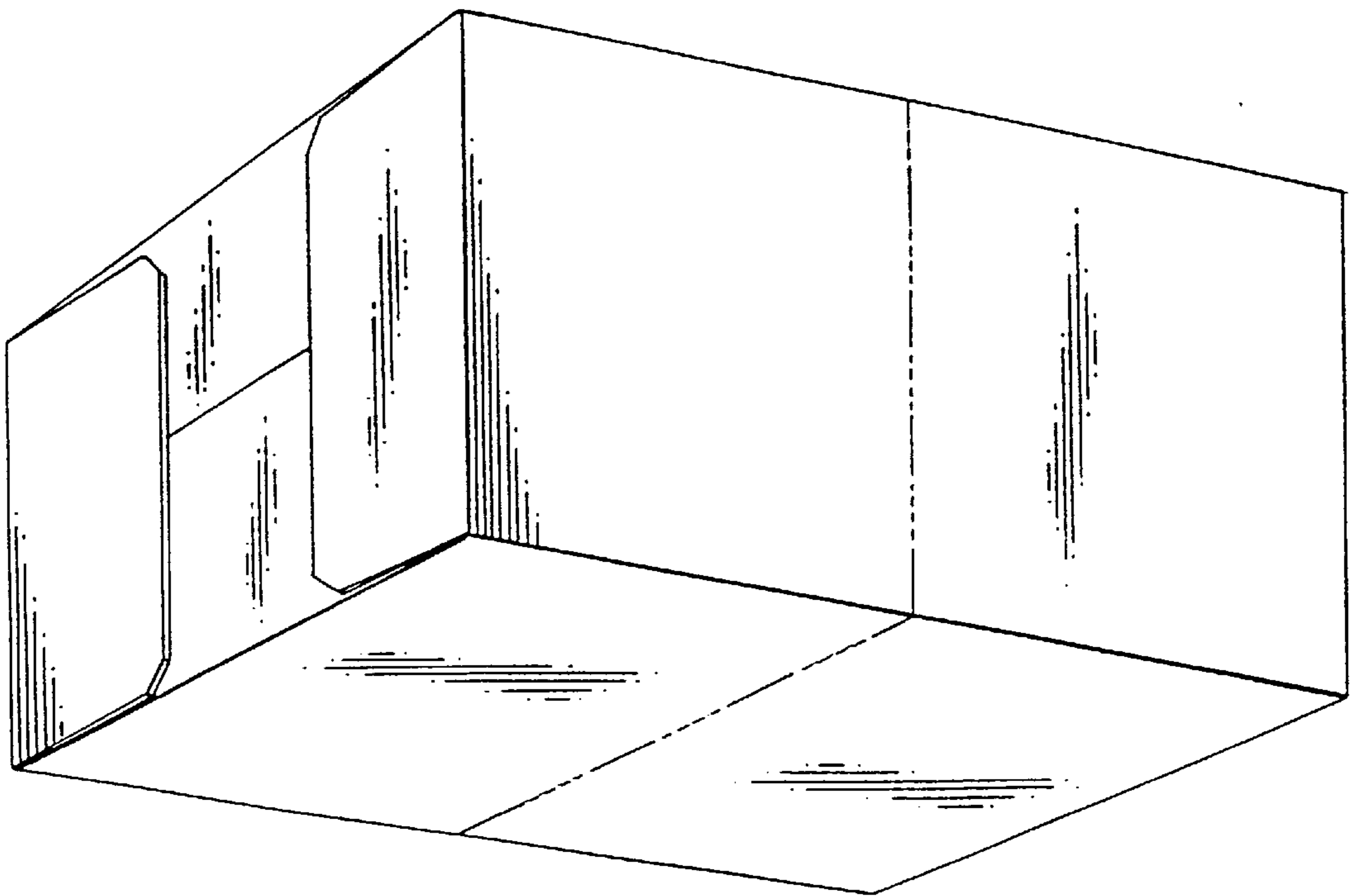


FIG. 2

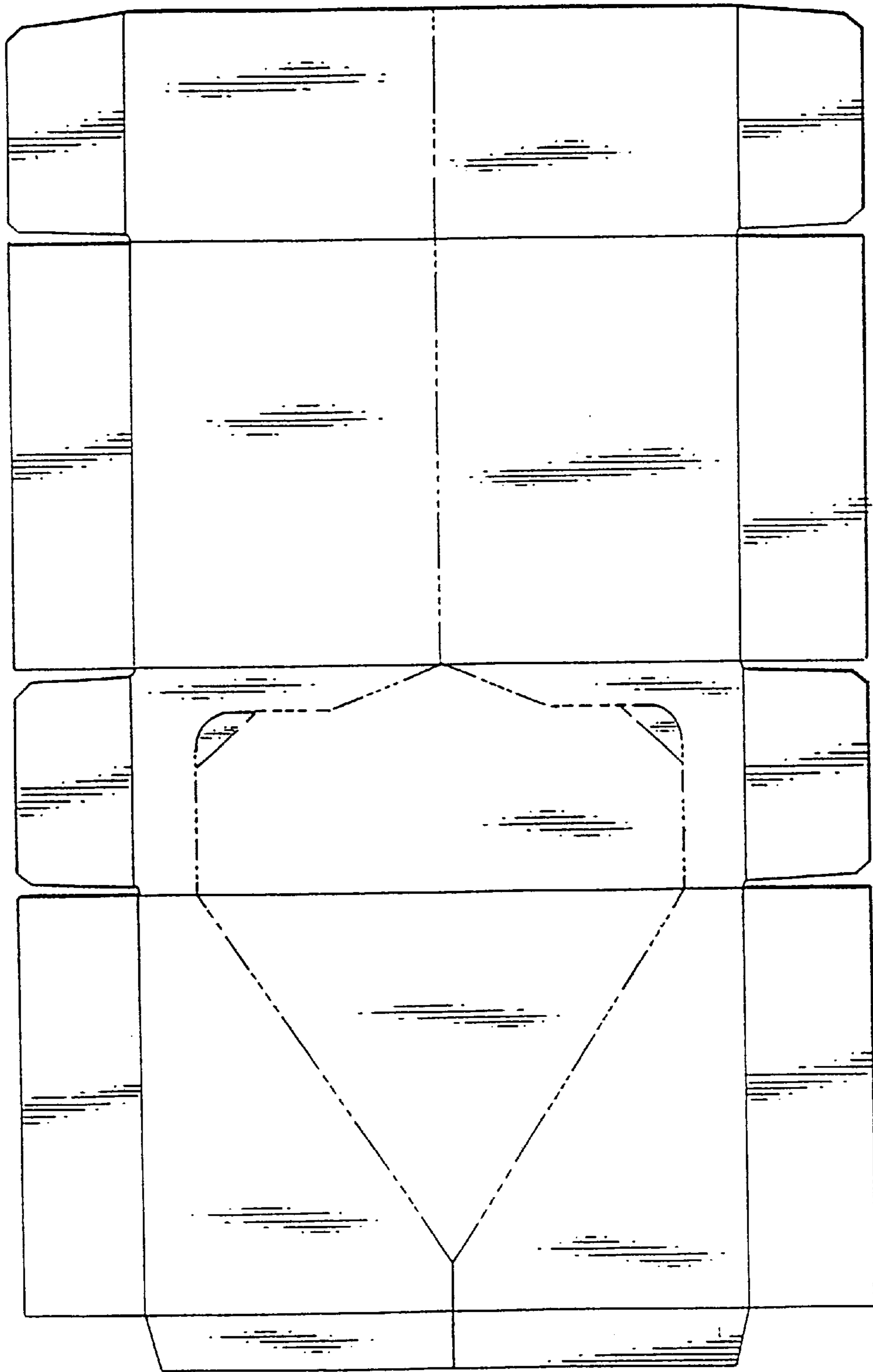


FIG. 3

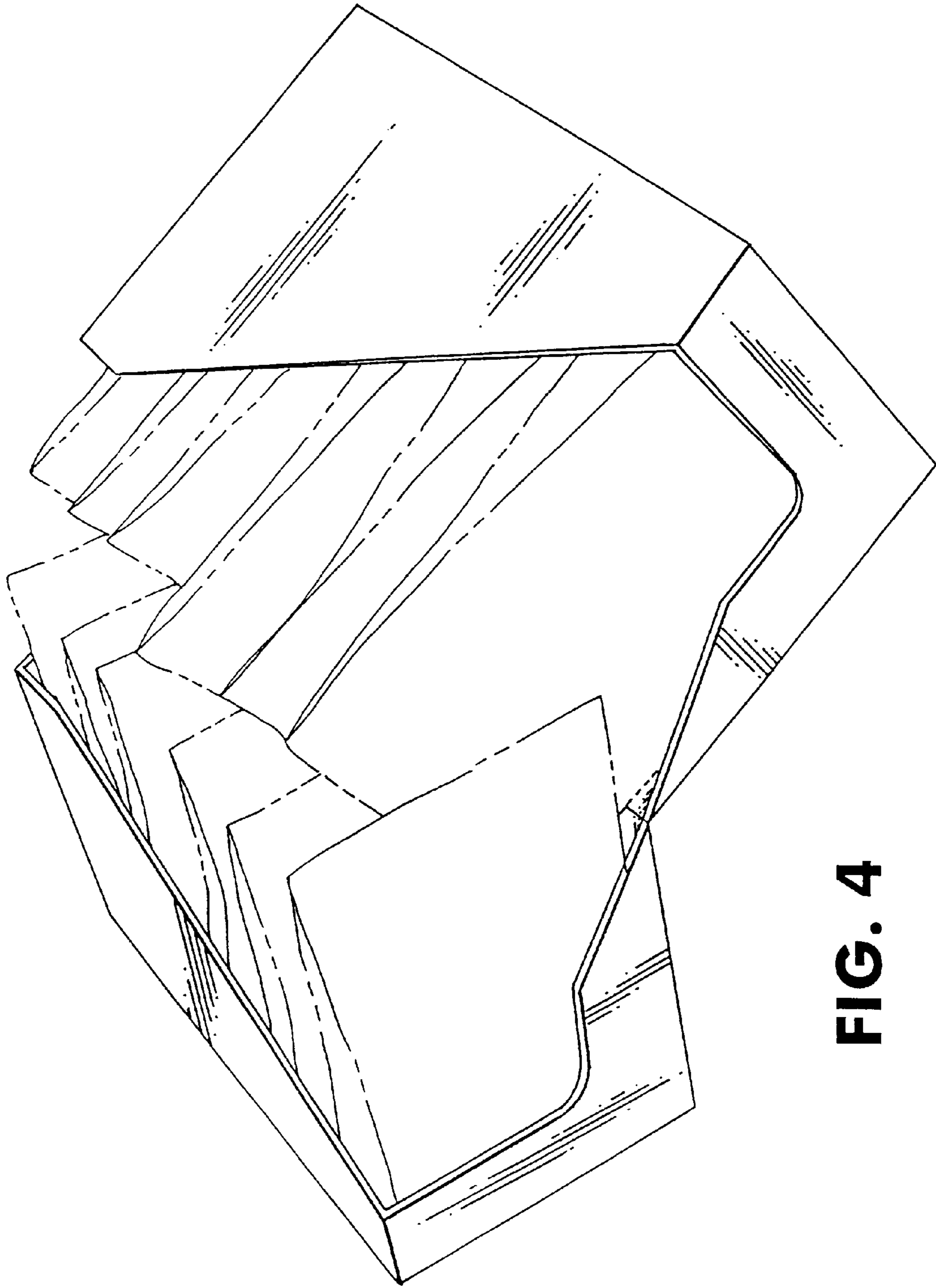


FIG. 4