



US00D419439S

United States Patent [19]

Markovsky et al.

[11] Patent Number: Des. 419,439

[45] Date of Patent: ** Jan. 25, 2000

[54] **BLISTER PACKAGE FOR ANALYTE TEST STRIP**

[75] Inventors: **Robert J. Markovsky**, Kingston, N.H.; **Joseph A. Graham**, Newton; **Richard Skiffington**, North Reading, both of Mass.

[73] Assignee: **Charm Sciences, Inc.**, Malden, Mass.

[**] Term: **14 Years**

[21] Appl. No.: **29/104,559**

[22] Filed: **May 7, 1999**

Related U.S. Application Data

[63] Continuation-in-part of application No. 09/001,775, Dec. 31, 1997, and a continuation-in-part of application No. 09/118,135, Jul. 16, 1998.

[51] **LOC (7) Cl.** **09-07**

[52] **U.S. Cl.** **D9/415**

[58] **Field of Search** D9/415, 418, 414, D9/345, 346, 457, 433; D3/203; 206/305, 306, 216, 569-572, 528, 530, 440, 441, 63.3, 828, 527, 525.1; 422/58-61, 50; 435/810

[56] References Cited

U.S. PATENT DOCUMENTS

- D. 210,931 5/1968 Armentrout et al. D9/415
- D. 325,526 4/1992 Deeguchi et al. D9/415
- D. 384,578 10/1997 Wangu et al. D9/415
- D. 388,323 12/1997 Kliegl D9/418

- 3,748,098 7/1973 Dutch 422/61
- 4,803,048 2/1989 Nason 422/58
- 4,903,708 2/1990 Saint-Amand 206/569 X
- 5,050,735 9/1991 Levy 206/569 X
- 5,728,352 3/1998 Poto et al. 422/61 X
- 5,863,502 1/1999 Siuthgate et al. 422/58
- 5,947,296 9/1999 Castora 206/571

OTHER PUBLICATIONS

Tech Form Inc., Nov. 1982.

Primary Examiner—Prabhakar Deshmukh
Attorney, Agent, or Firm—Richard P. Crowley

[57] CLAIM

The ornamental design for a blister package for analyte test strip, as shown and described.

DESCRIPTION

FIG. 1 is a top front perspective view from above of our new ornamental design for a blister package for analyte test strip with the analyte test strip illustrated in dotted lines, which does not form a portion of the design;

FIG. 2 is a top plan view of our package design of FIG. 1;

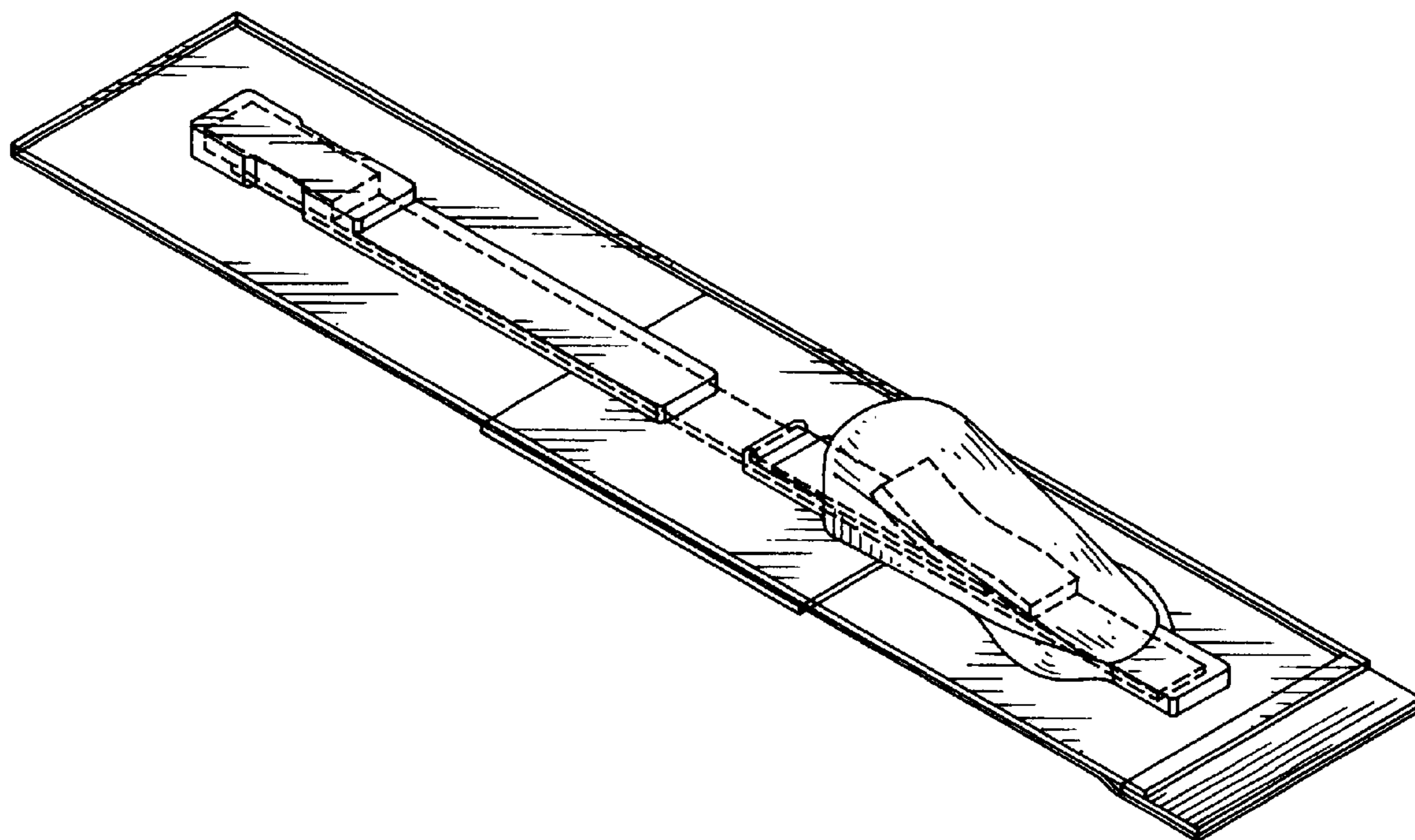
FIG. 3 is a bottom plan view of our package design of FIG. 1;

FIG. 4 is a front elevation view of our package design of FIG. 1;

FIG. 5 is a rear elevation view of our package design of FIG. 1; and,

FIG. 6 is a side elevation view of our package design of FIG. 1 with the other side being the same view.

1 Claim, 2 Drawing Sheets



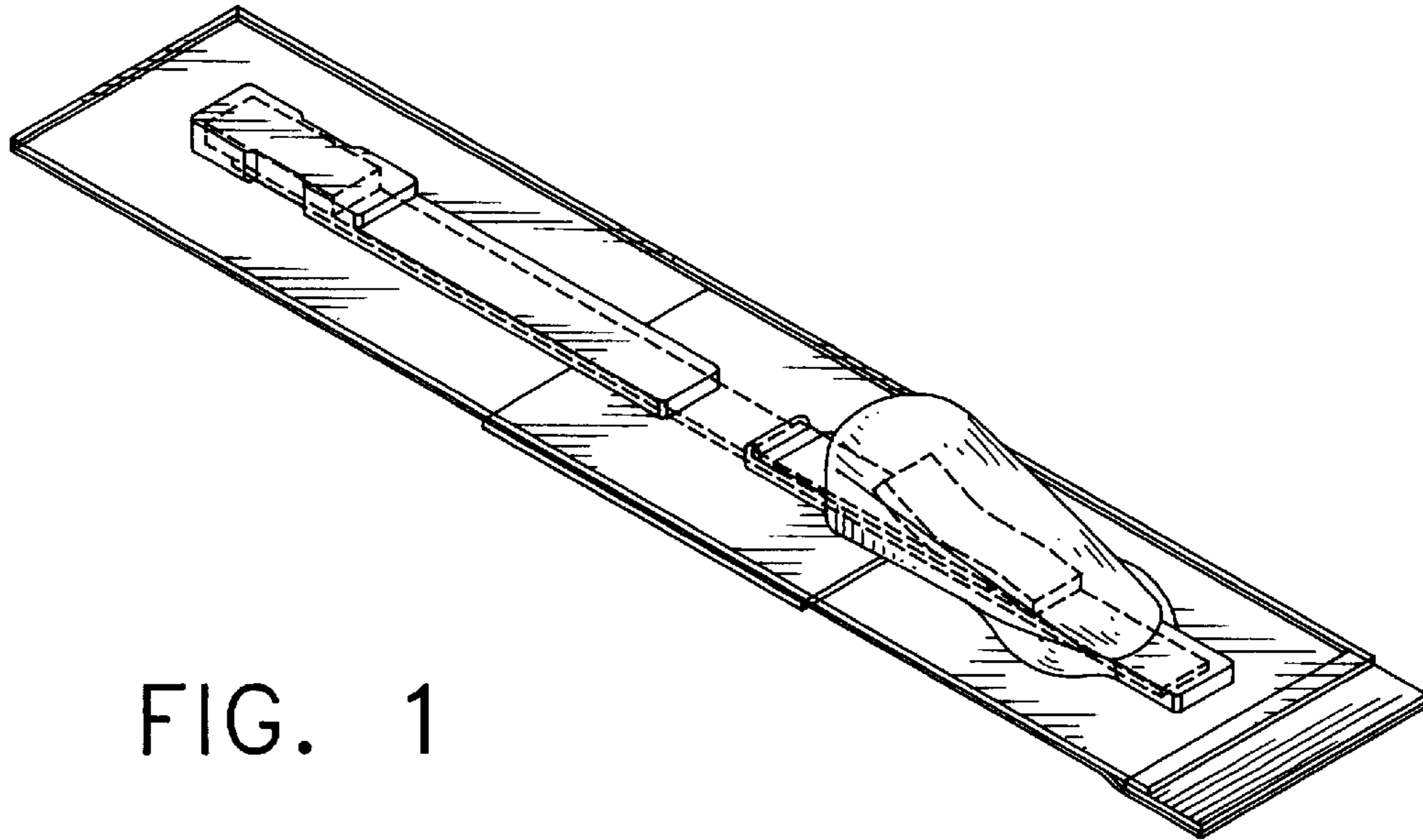


FIG. 1

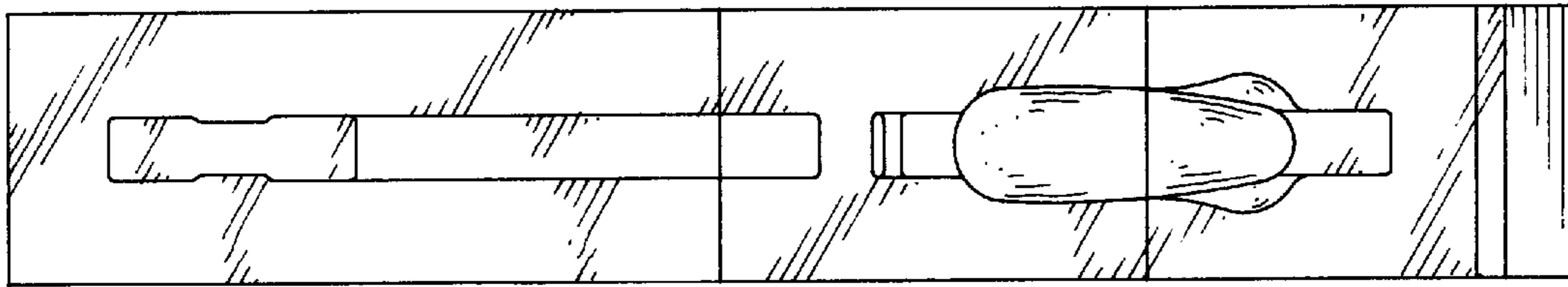


FIG. 2

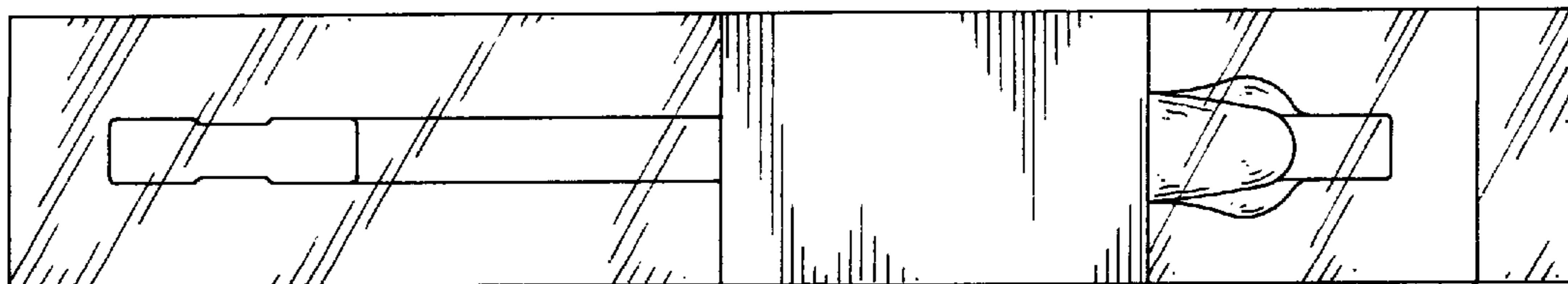


FIG. 3



FIG. 4



FIG. 5



FIG. 6