



US00D419432S

United States Patent [19] Evans

[11] **Patent Number: Des. 419,432**
[45] **Date of Patent: ** Jan. 25, 2000**

[54] **LIQUID DISPENSER**
[75] Inventor: **Lyn Trevor Evans**, Welwyn Garden City, United Kingdom
[73] Assignee: **The Boots Company PLC**, Nottingham, United Kingdom
[**] Term: **14 Years**
[21] Appl. No.: **29/049,361**
[22] Filed: **Jan. 24, 1996**

0379627 8/1990 European Pat. Off. .
0504748 3/1992 European Pat. Off. .
2523550 9/1983 France .
2849493 5/1980 Germany .
2005833 of 0000 United Kingdom .
2005834 of 0000 United Kingdom .
2005835 of 0000 United Kingdom .
1342442 1/1974 United Kingdom .
1383755 2/1975 United Kingdom .
1387262 3/1975 United Kingdom .
2513352 10/1976 United Kingdom .

(List continued on next page.)

Related U.S. Application Data

[63] Continuation of application No. 29/034,673, Feb. 9, 1995, abandoned.

[30] Foreign Application Priority Data

Aug. 9, 1994 [GB] United Kingdom 2040858

[51] **LOC (7) Cl.** **09-01**
[52] **U.S. Cl.** **D9/300; D9/529**
[58] **Field of Search** D9/300, 448, 529;
D24/108, 112, 113; 222/321.7, 321.9, 382,
383.1, 383.3, 481, 528, 530, 531, 533,
538

[56] References Cited

U.S. PATENT DOCUMENTS

D. 280,181 8/1985 Vitrac D9/529
D. 323,982 2/1992 Geiger D9/529
D. 324,332 3/1992 Seifert .
D. 326,053 5/1992 Waine et al. D9/529
2,753,578 7/1956 Lebet 222/321.7 X
3,430,813 3/1969 Gilmont 222/383.3 X
3,653,556 4/1972 Moran et al. 222/383.3 X
3,683,978 8/1972 Jones et al. 222/481 X
4,234,127 11/1980 Tada et al. 222/533 X
4,300,546 11/1981 Kruber .
4,306,670 12/1981 Oshikubo 222/383.1 X
4,858,792 8/1989 De Laforcade 222/533
5,501,375 3/1996 Nilson 222/528 X

FOREIGN PATENT DOCUMENTS

0228934 4/1989 European Pat. Off. .

OTHER PUBLICATIONS

Dispray Standard Programm Literature (2 pages).
Vicks Ultra Chloraseptic Throat Spray (2 pages).

Primary Examiner—James Gandy
Assistant Examiner—Cathron B. Matta
Attorney, Agent, or Firm—Nikaido, Marmelstein, Murray & Oram LLP

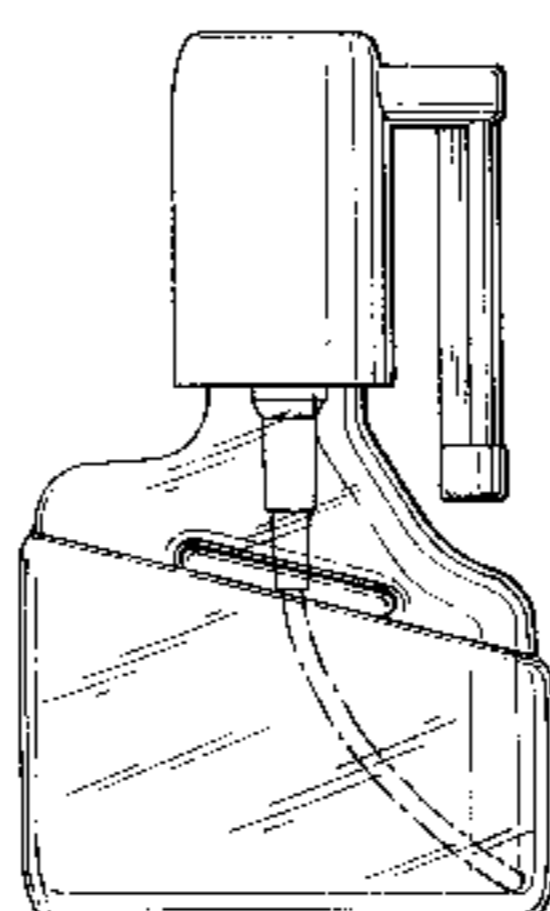
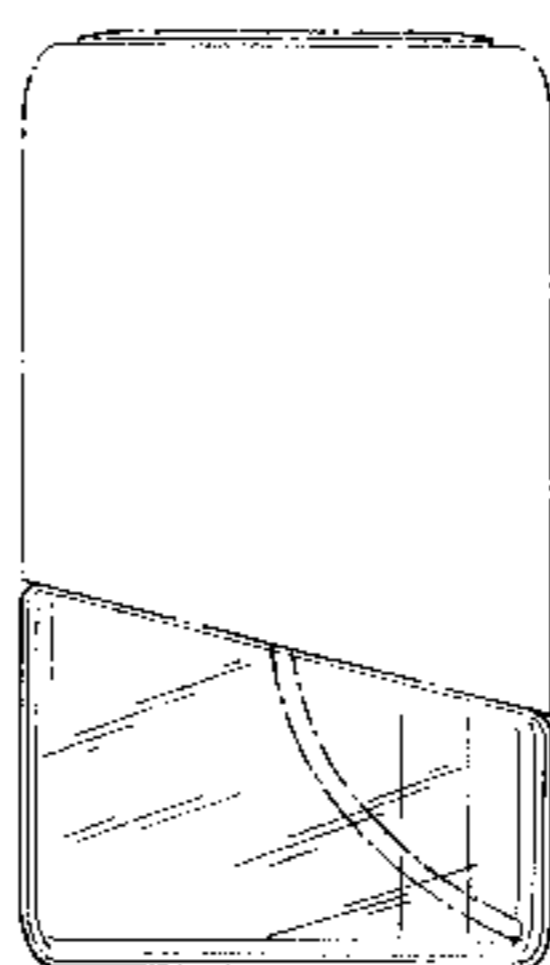
[57] CLAIM

The ornamental design for a liquid dispenser, as shown and described.

DESCRIPTION

FIG. 1 is a front elevation view of a liquid dispenser showing my new design, the rear view being a mirror image;
FIG. 2 is a right side elevation view thereof;
FIG. 3 is a front elevation view thereof, with the cap shown removed;
FIG. 4 is a right side elevation view of FIG. 3;
FIG. 5 is a left side elevation view of FIG. 3;
FIG. 6 is a right side elevation view of FIG. 3, with the arm shown in an alternate position;
FIG. 7 is a top plan view of FIG. 3; and,
FIG. 8 is a bottom plan view of FIG. 3.
The broken line showing of the cap in FIGS. 1 and 2 and the tube in all of the above figures is for illustrative purposes only and forms no part of the claimed design.

1 Claim, 2 Drawing Sheets



Des. 419,432

Page 2

FOREIGN PATENT DOCUMENTS

| | | | | | |
|---------|---------|------------------|-----------|---------|------------------|
| 2013774 | 3/1982 | United Kingdom . | 2001138 | 9/1989 | United Kingdom . |
| 8234723 | 12/1982 | United Kingdom . | 2013832 | 3/1991 | United Kingdom . |
| 2186916 | 8/1987 | United Kingdom . | 2031455 | 12/1992 | United Kingdom . |
| 1047117 | 12/1987 | United Kingdom . | 4119132 | 12/1992 | United Kingdom . |
| | | | 83/00134 | 1/1983 | WIPO . |
| | | | DM/012397 | 12/1988 | WIPO . |

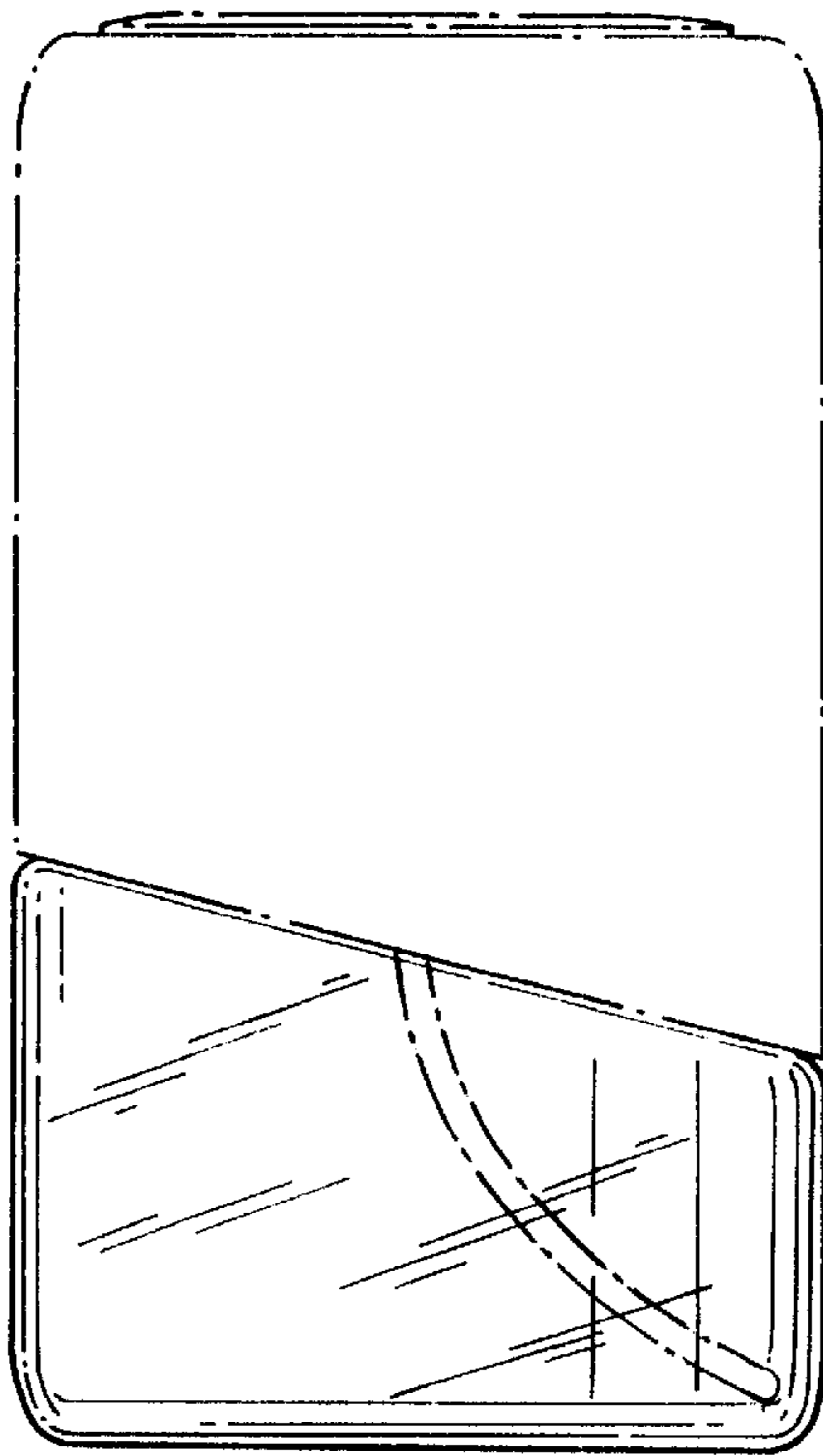


Fig. 1

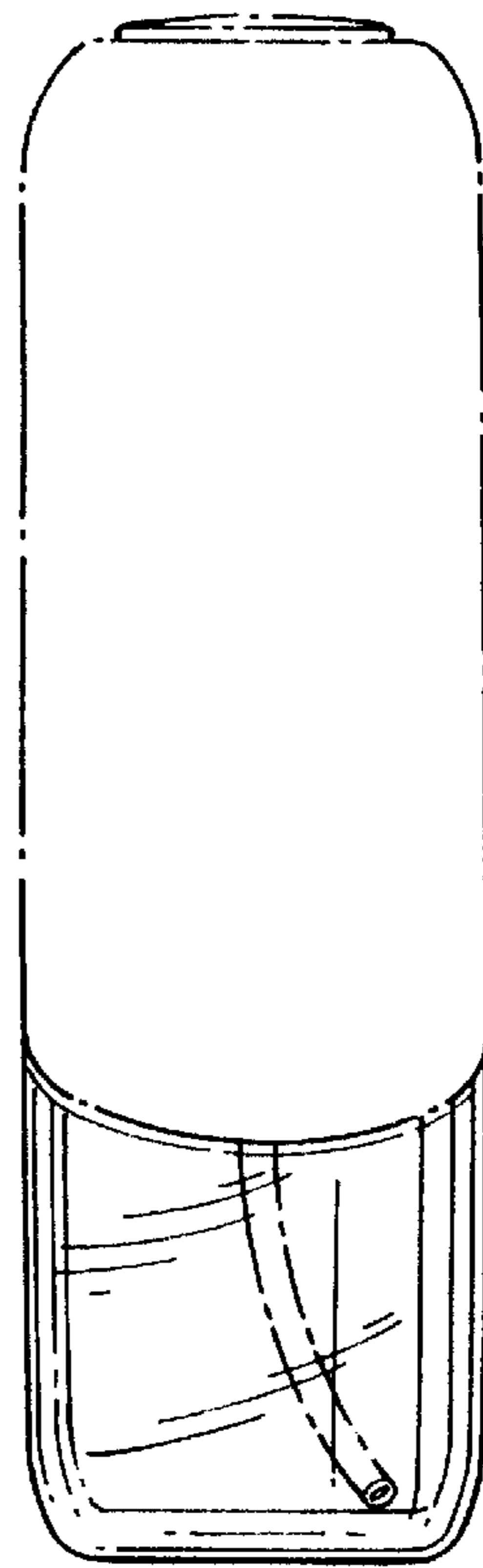


Fig. 2

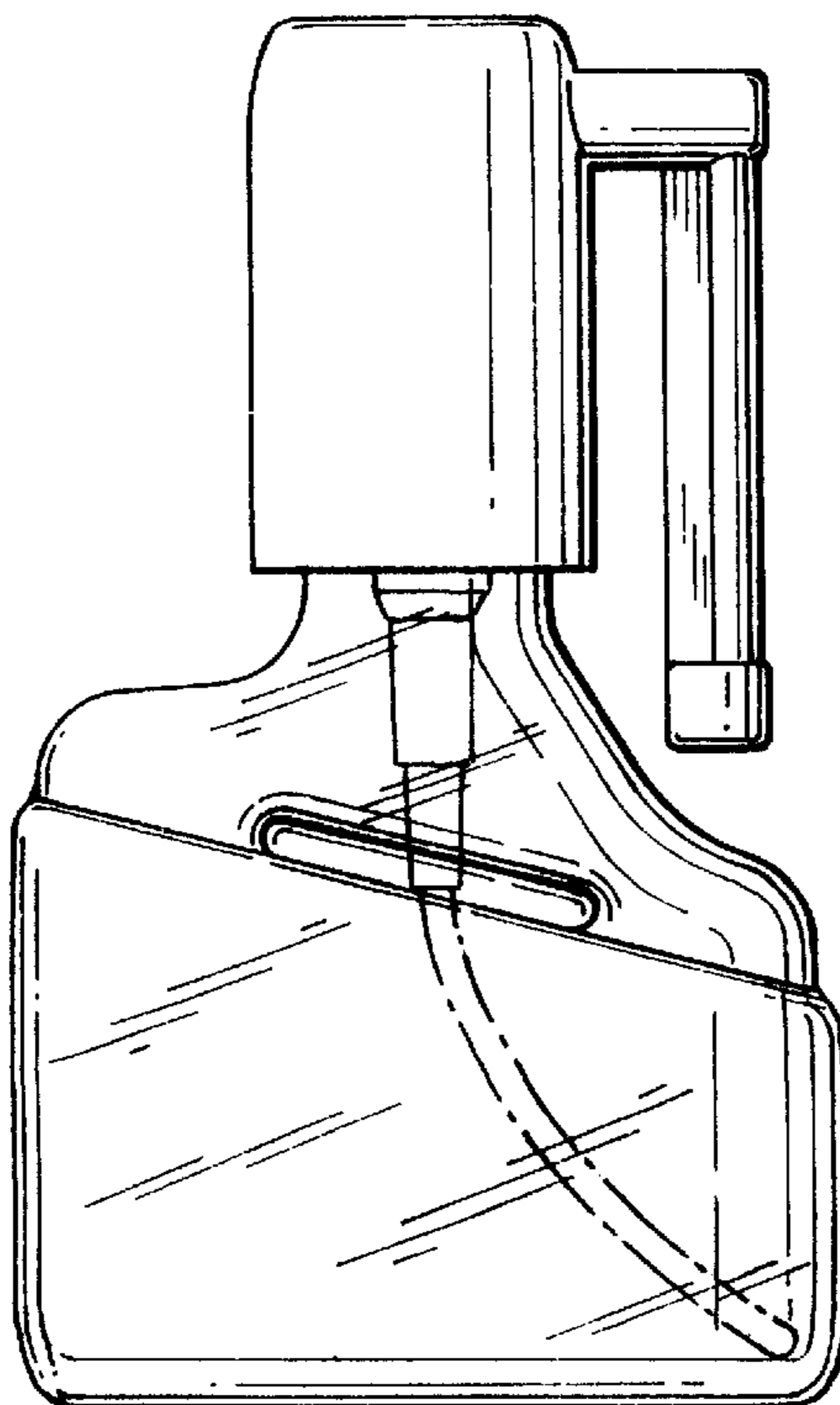


Fig. 3

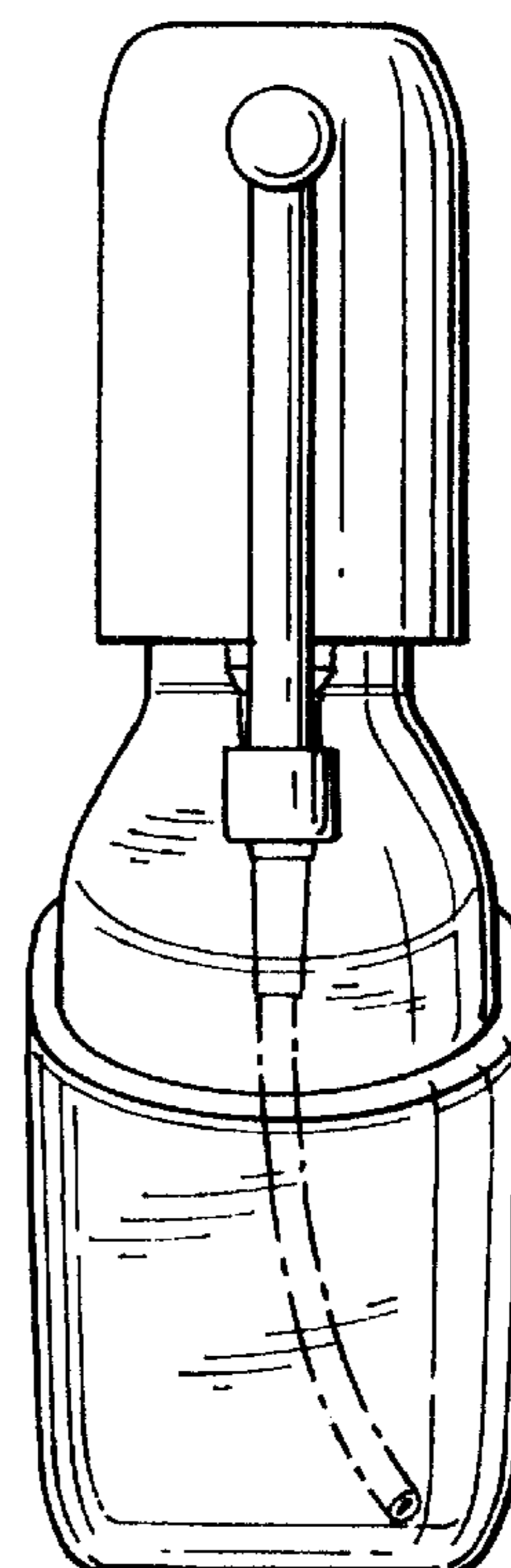


Fig. 4

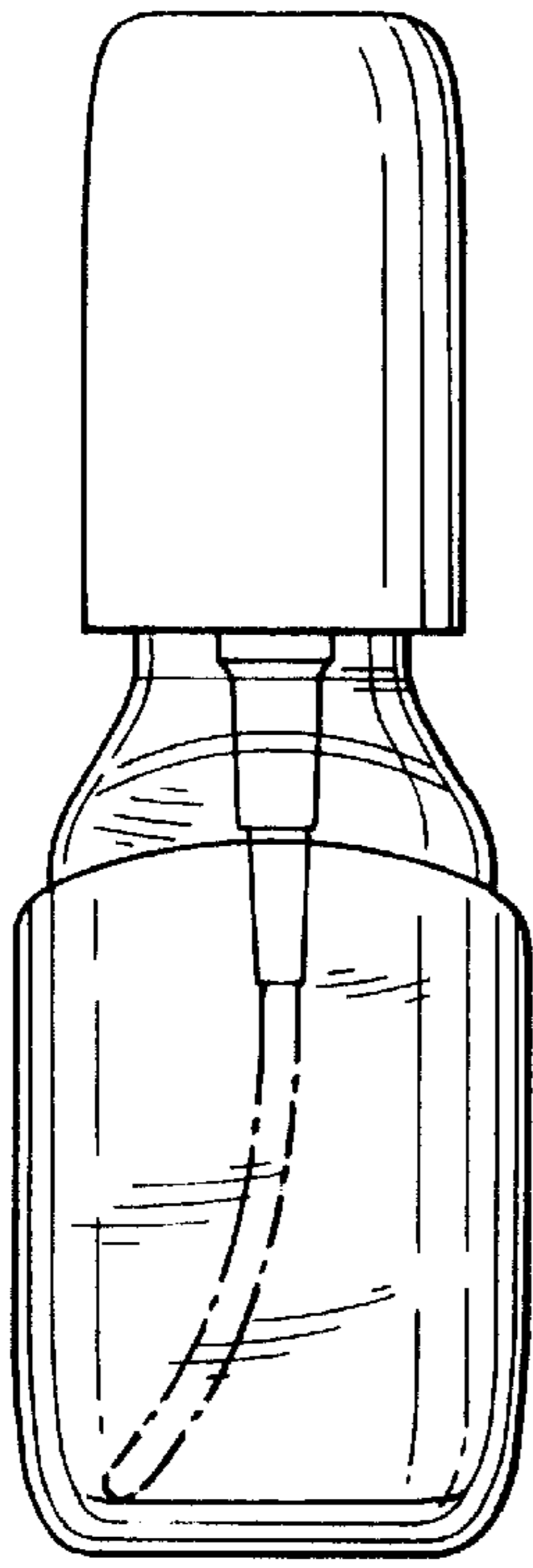


Fig. 5

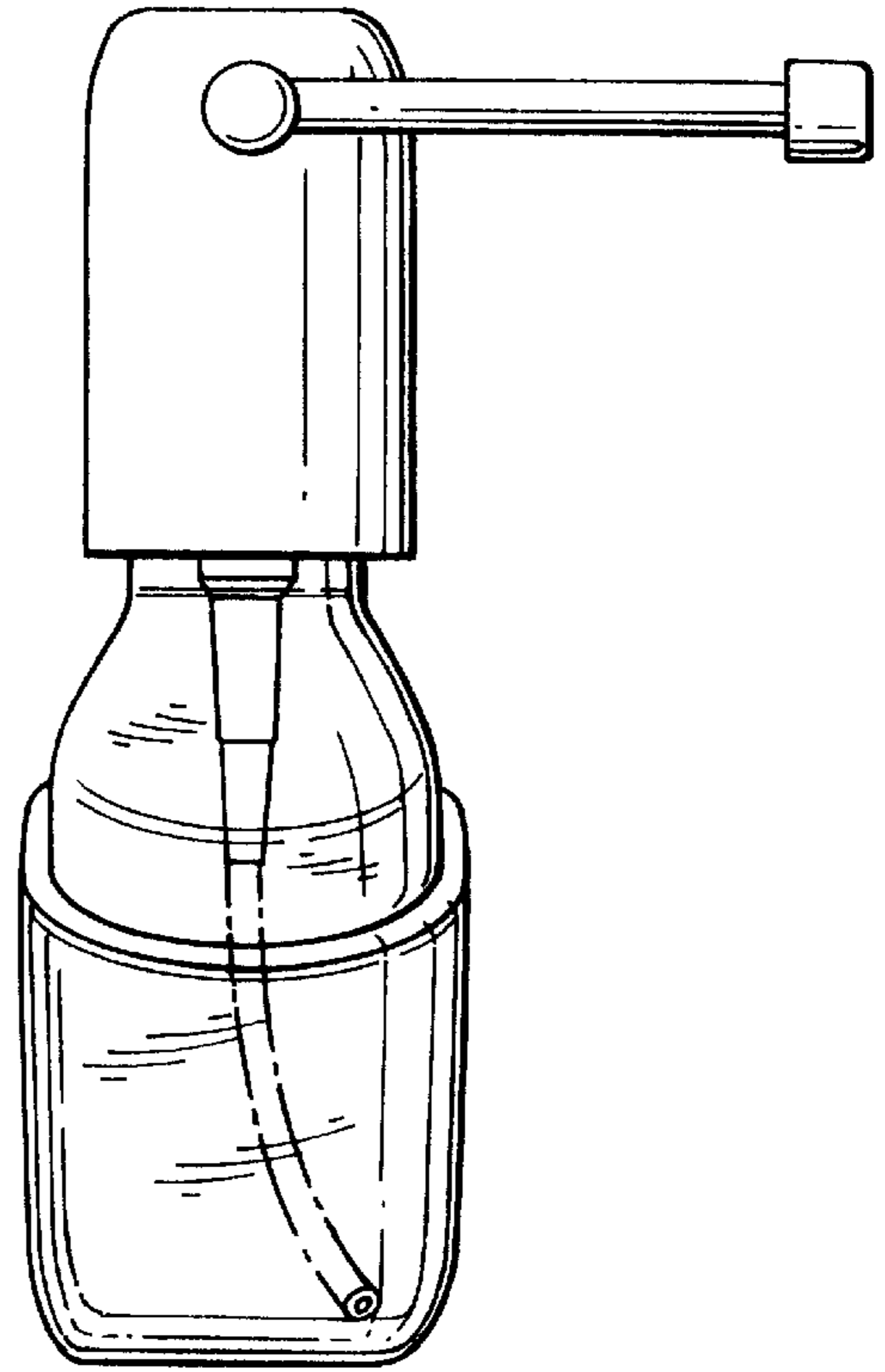


Fig. 6

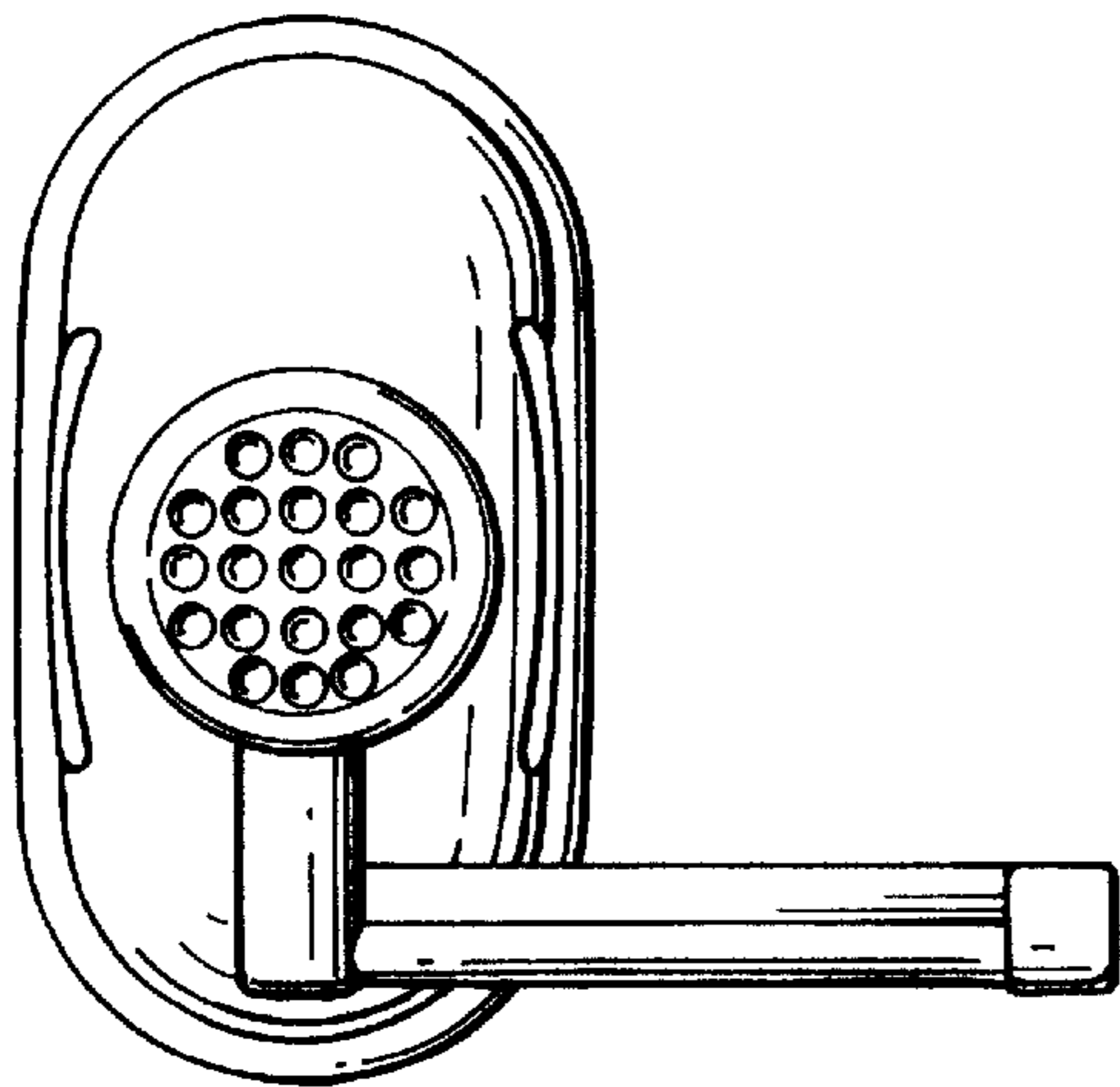


Fig. 7

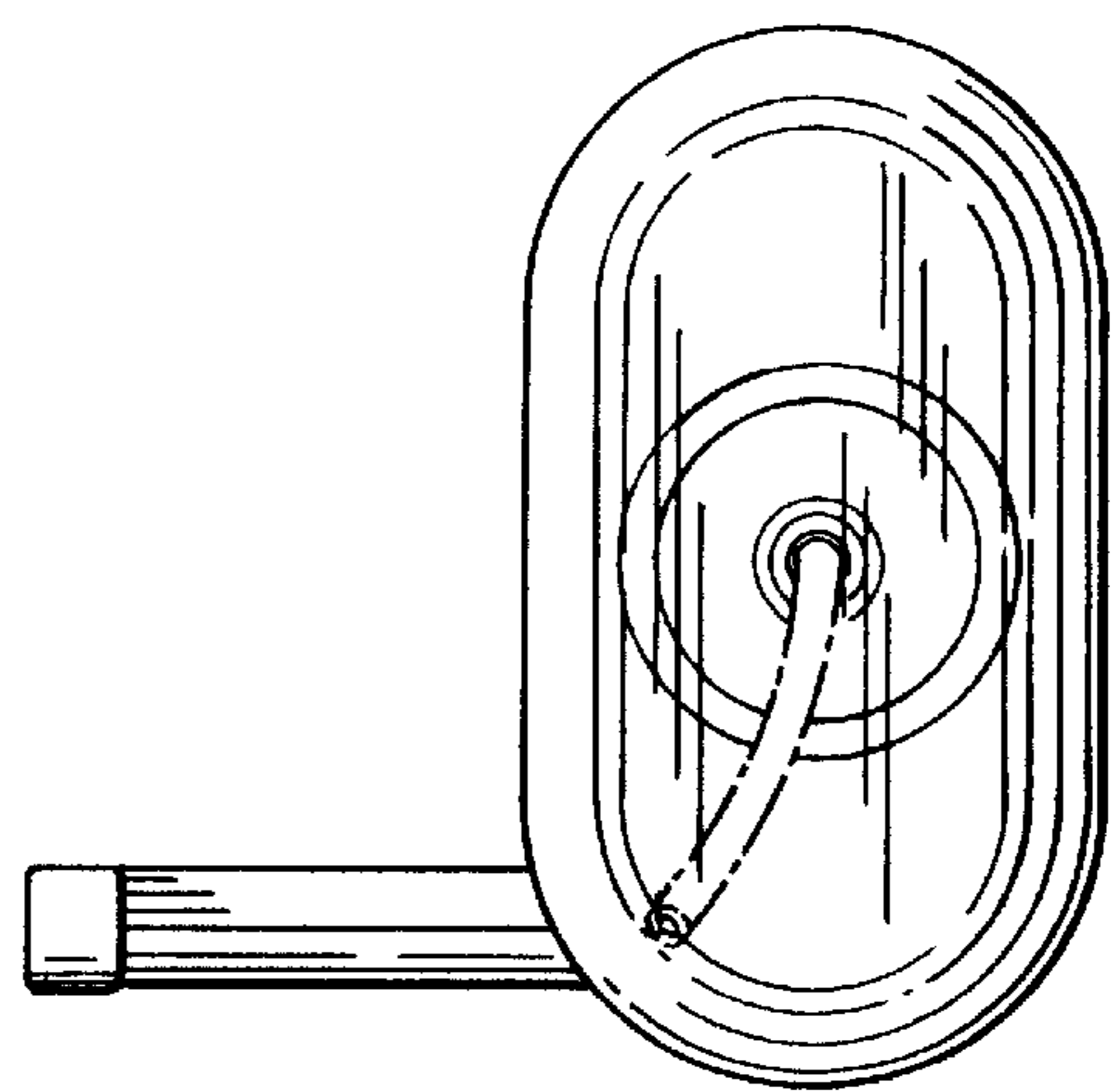


Fig. 8