



US00D419429S

United States Patent [19]
Emmett

[11] **Patent Number: Des. 419,429**
[45] **Date of Patent: ** Jan. 25, 2000**

[54] **SHELF SUPPORTING BRACKET**

OTHER PUBLICATIONS

[75] Inventor: **James Emmett**, Greeley, Colo.

Magnolia River Manufacturing, Grocery Industry Catalog 1998, page displaying bakery shelving, page displaying adjustable shelf support.

[73] Assignee: **Magnolia River Manufacturing Corp.**, Greeley, Colo.

Primary Examiner—Holly Baynham
Attorney, Agent, or Firm—John R. Ley

[**] Term: **14 Years**

[57] **CLAIM**

[21] Appl. No.: **29/097,686**

The ornamental design for the shelf supporting bracket, as shown and described.

[22] Filed: **Dec. 11, 1998**

[51] **LOC (7) Cl.** **08-05**

DESCRIPTION

[52] **U.S. Cl.** **D8/381**

FIG. 1 is a perspective view of a shelf supporting bracket showing my new design;
FIG. 2 is a right side elevational view thereof;
FIG. 3 is a left side elevational view thereof;
FIG. 4 is a rear elevational view thereof;
FIG. 5 is a front elevational view thereof;
FIG. 6 is a top view thereof; and,
FIG. 7 is a bottom view thereof.

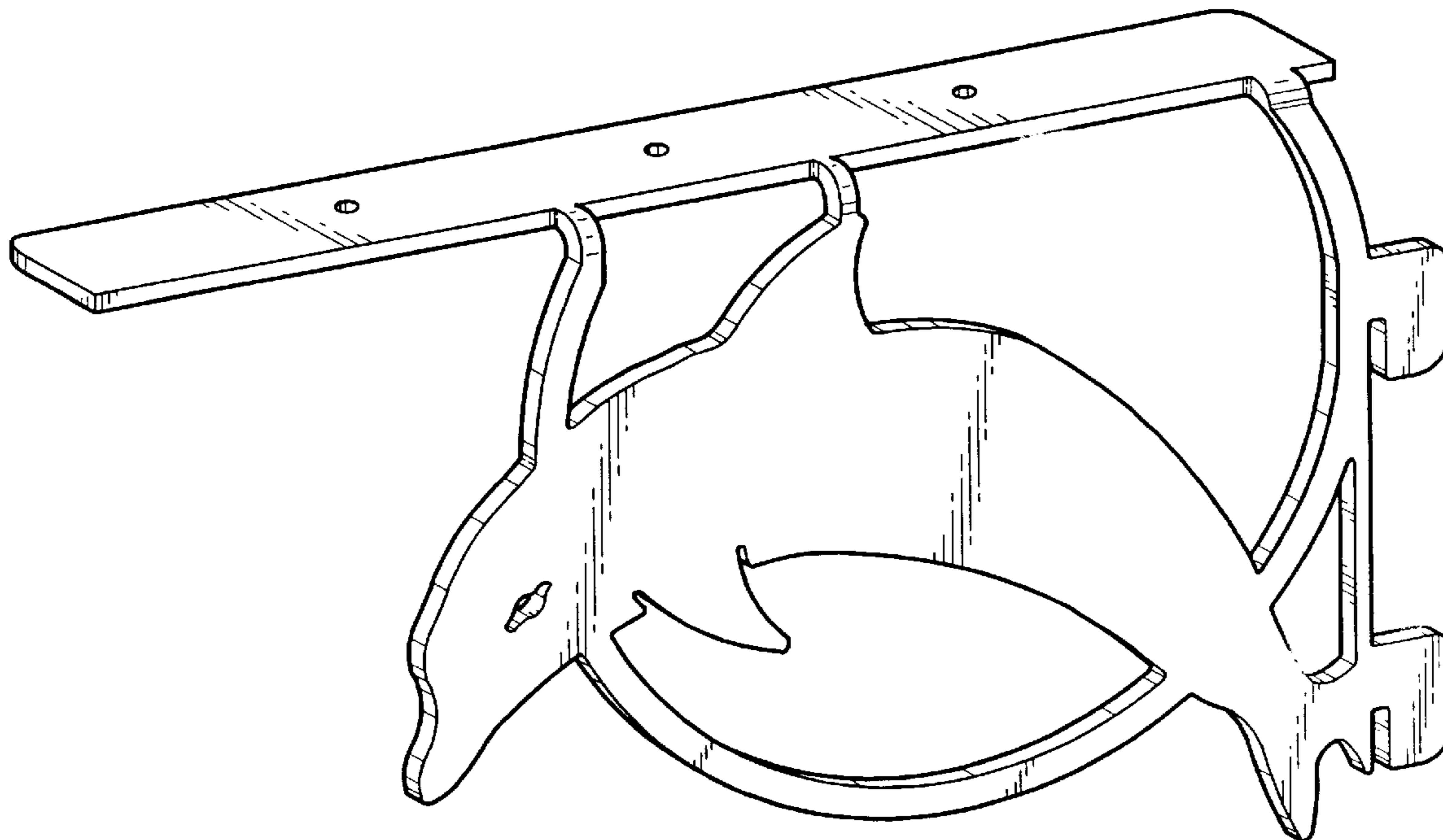
[58] **Field of Search** D8/381, 380; 248/235, 248/237, 243, 247

[56] **References Cited**

U.S. PATENT DOCUMENTS

D. 39,572	9/1908	Kaiser	D8/381
D. 201,502	6/1965	Nieman	D8/381
D. 365,748	1/1996	Hollinger	D8/381

1 Claim, 4 Drawing Sheets



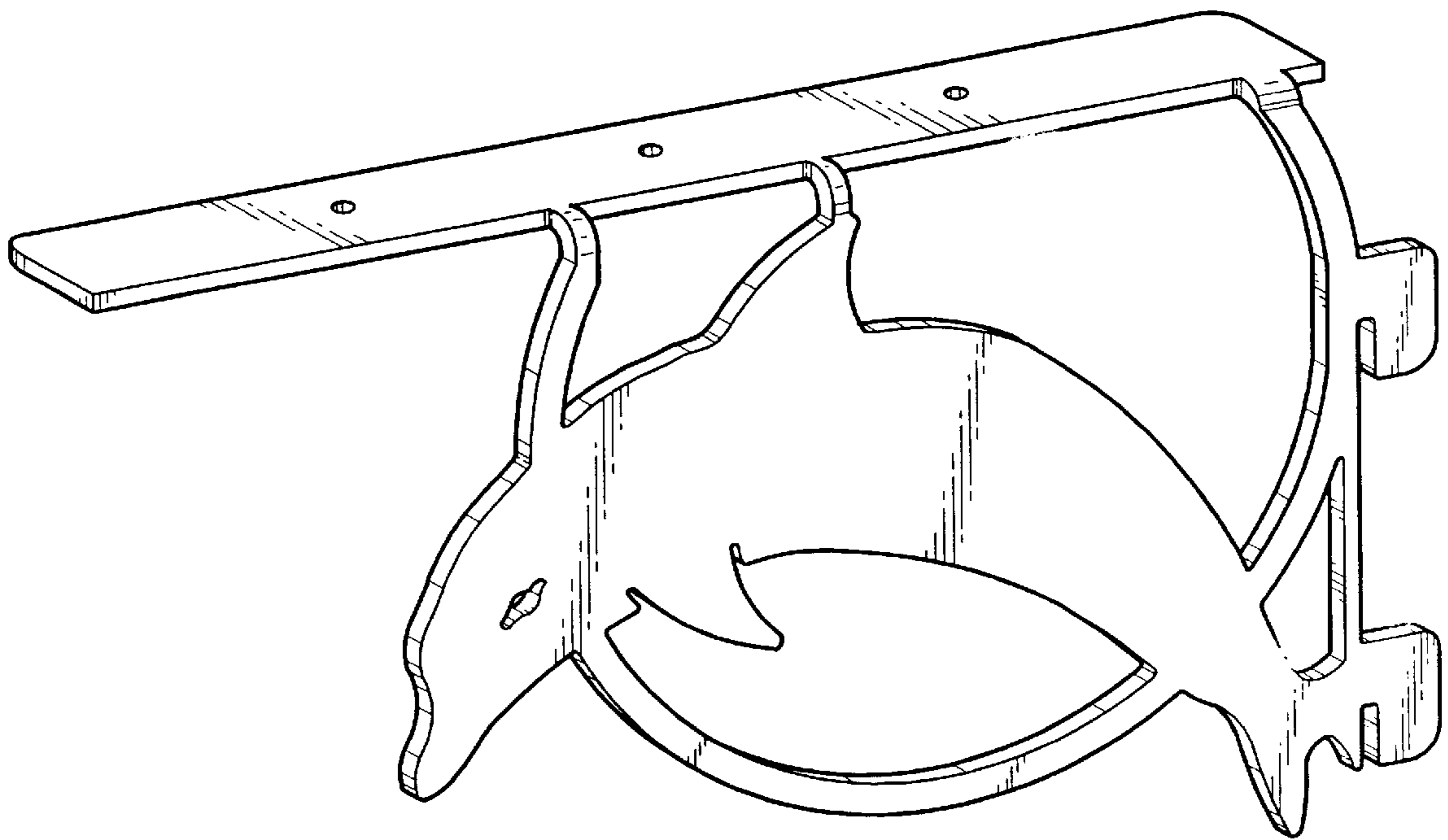


FIG.1

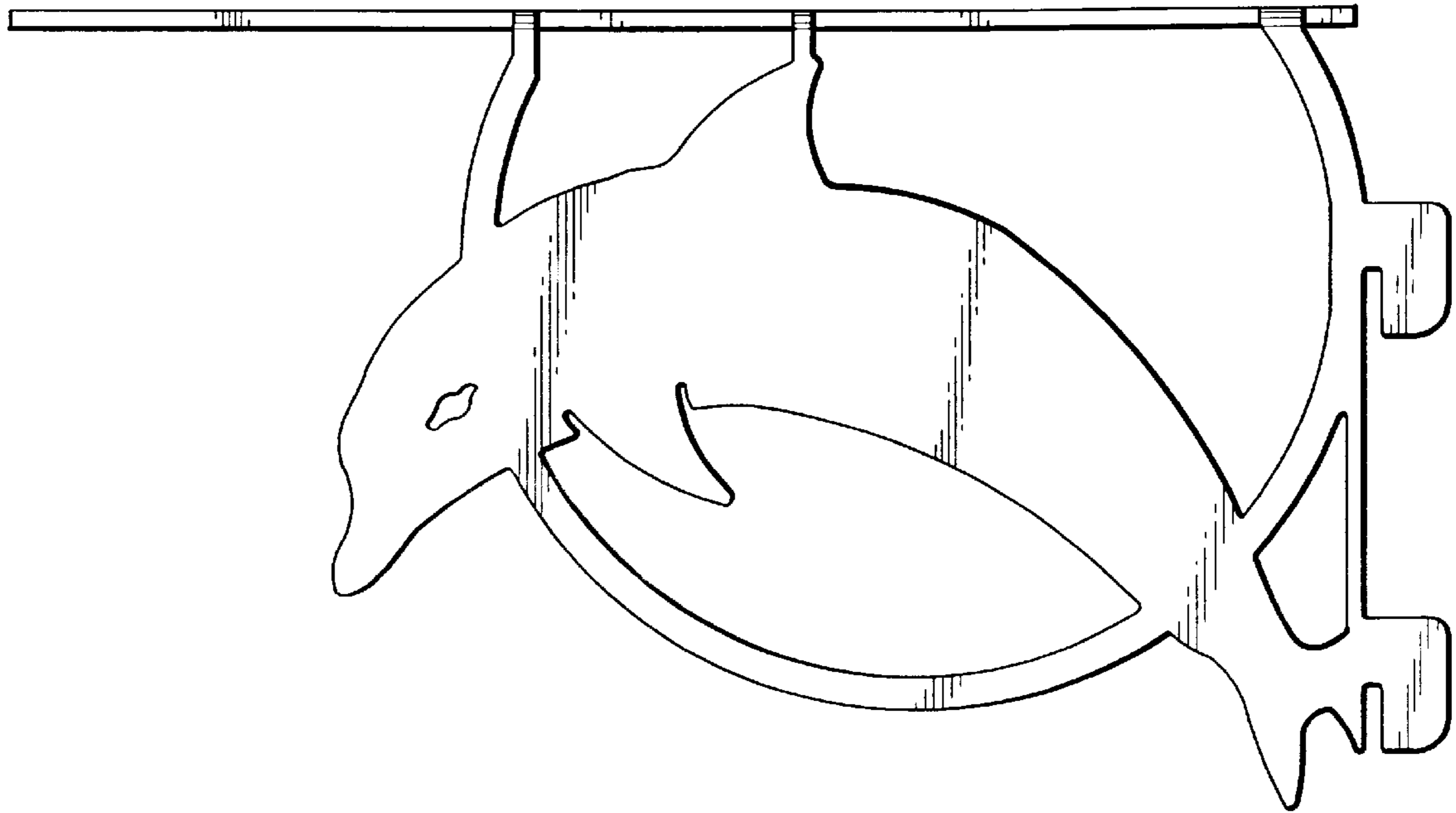


FIG. 2

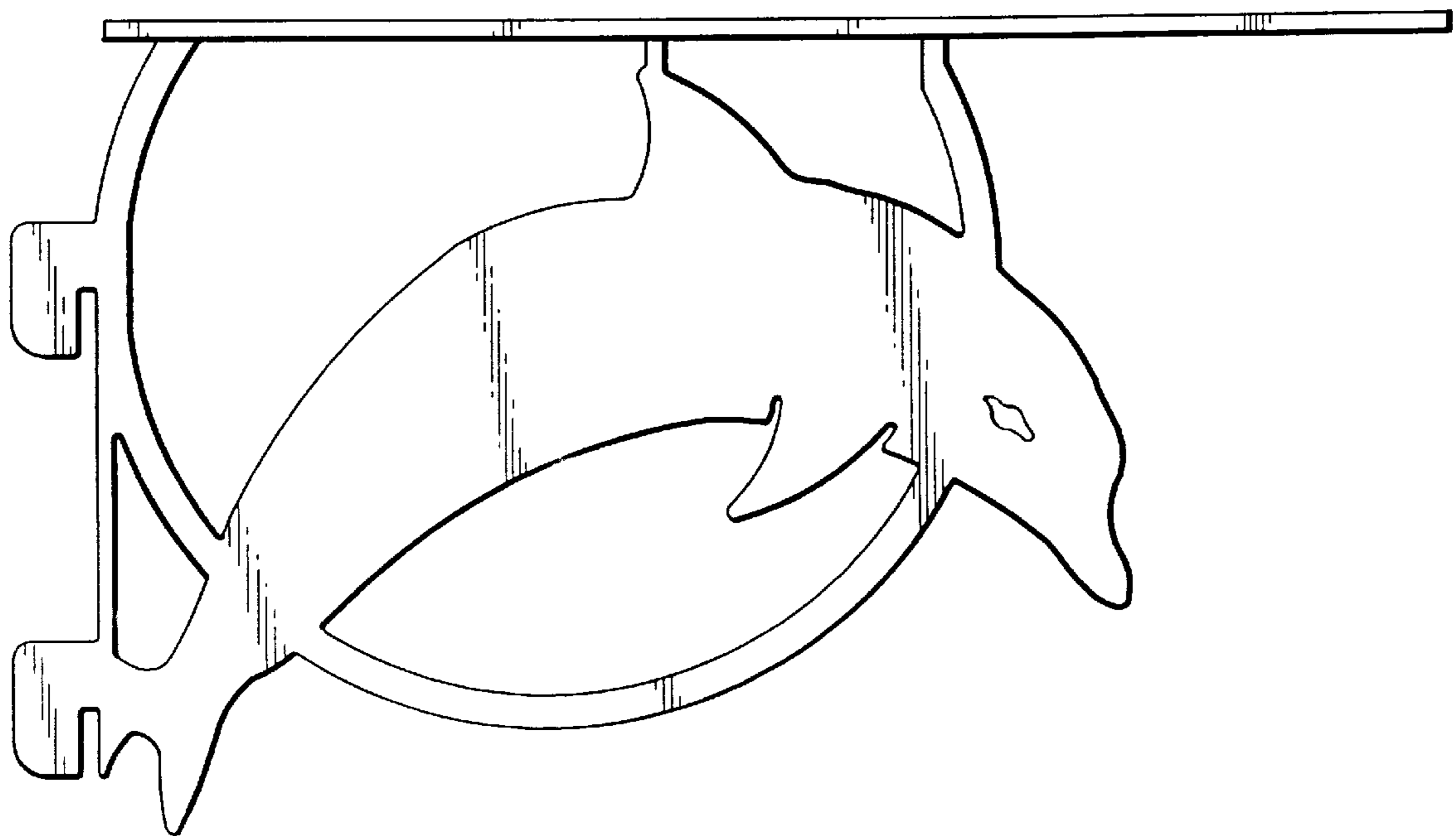


FIG. 3

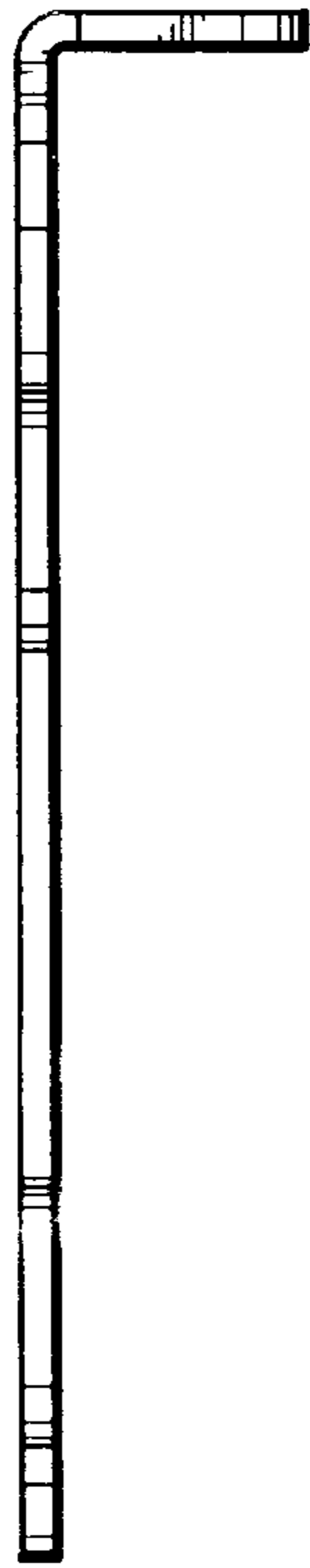


FIG. 4

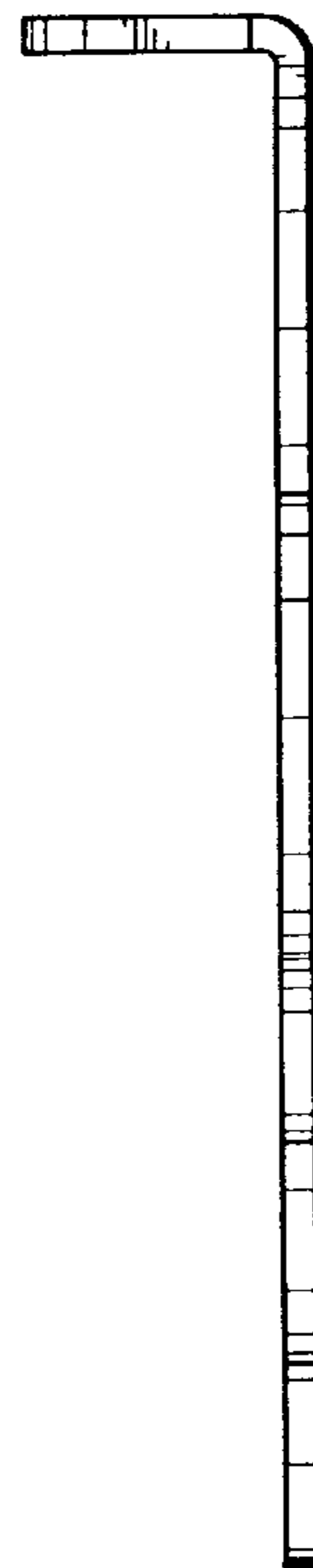


FIG. 5

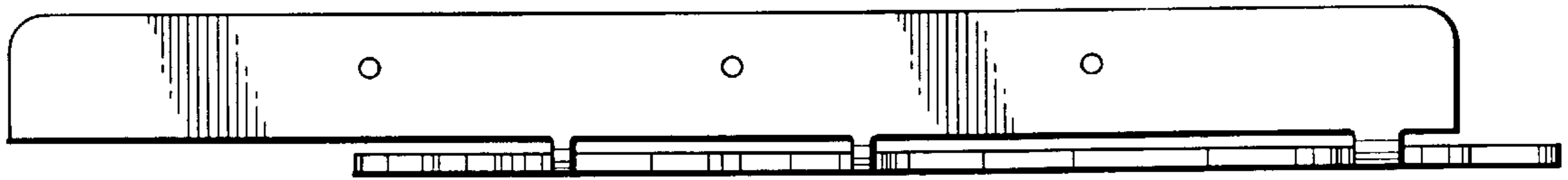


FIG. 6

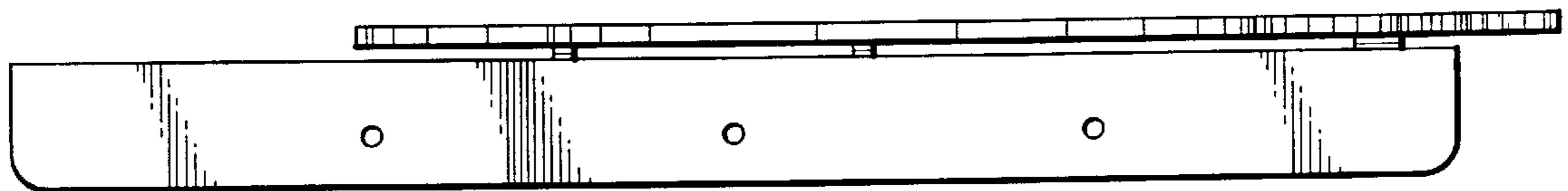


FIG. 7