



US00D419427S

United States Patent [19]
Mulder

[11] **Patent Number: Des. 419,427**

[45] **Date of Patent: ** Jan. 25, 2000**

[54] **MAGNETIC CURTAIN ROD BRACKET**

D. 369,955 5/1996 Mulder D8/363
D. 394,357 5/1998 Mulder D8/363

[76] Inventor: **Scott Mulder**, 1460 Grandview Ave.,
Suite 5, West Deptford, N.J. 08066

Primary Examiner—Holly Baynham
Attorney, Agent, or Firm—Norman E. Lehrer

[**] Term: **14 Years**

[57] **CLAIM**

[21] Appl. No.: **29/097,326**

The ornamental design for a “magnetic curtain rod bracket,”
as shown and described.

[22] Filed: **Dec. 4, 1998**

DESCRIPTION

[51] **LOC (7) Cl.** **08-05**

[52] **U.S. Cl.** **D8/363**

[58] **Field of Search** D8/363; 248/251–254,
248/266, 268, 262, 297.2

FIG. 1 is a front right side perspective view of a “magnetic
curtain rod bracket” showing my new design;
FIG. 2 is a front elevational view thereof;
FIG. 3 is a right side elevational view thereof, the left side
being a mirror image thereof;
FIG. 4 is a top plan view thereof;
FIG. 5 is a rear elevational view thereof; and,
FIG. 6 is a bottom plan view thereof.

[56] **References Cited**

U.S. PATENT DOCUMENTS

D. 136,689	11/1943	Teninty	D8/363
D. 334,533	4/1993	Brunner	D8/373
D. 368,848	4/1996	Mulder	D8/363
D. 368,849	4/1996	Mulder	D8/363

1 Claim, 1 Drawing Sheet

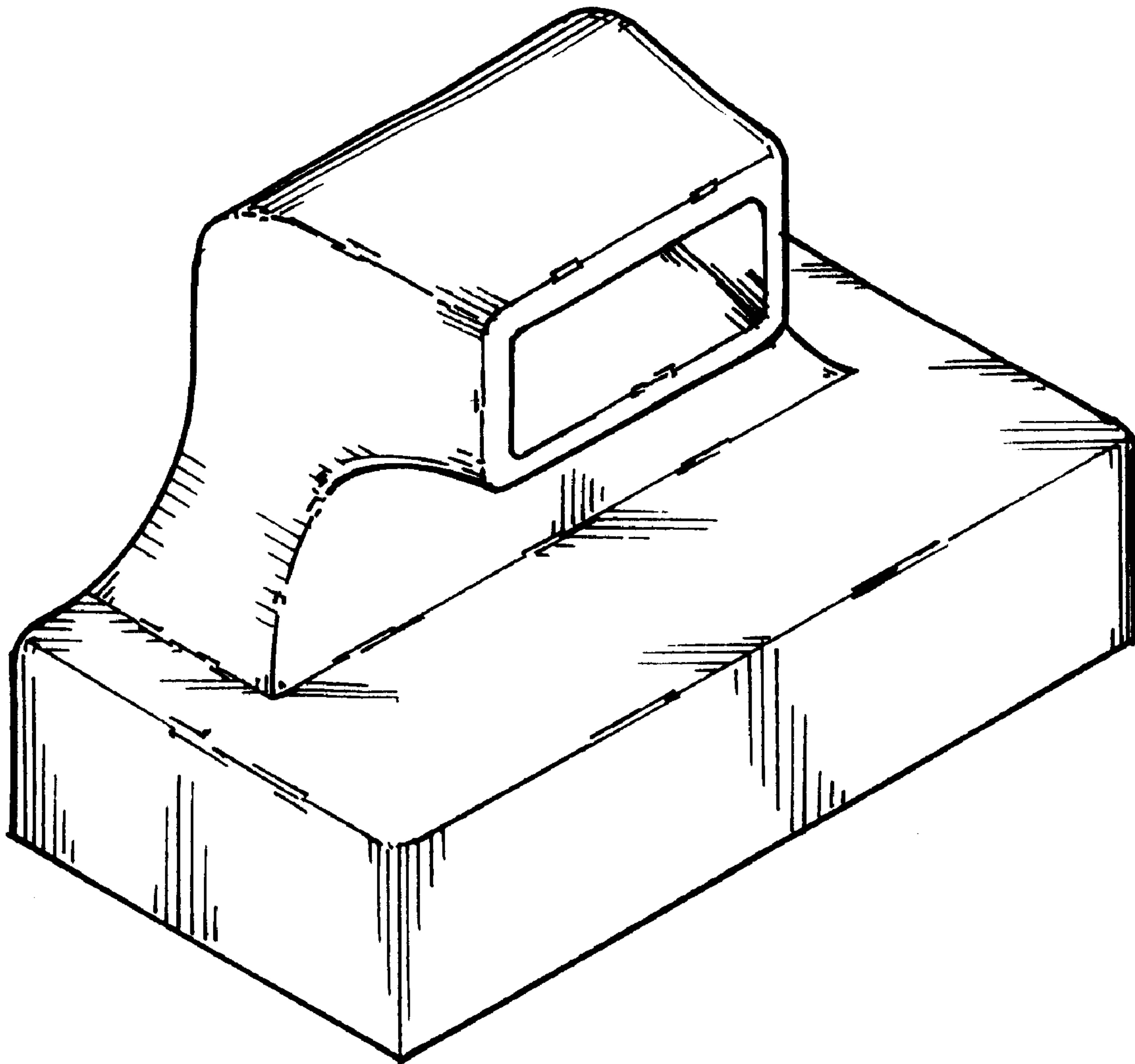


Fig. 1

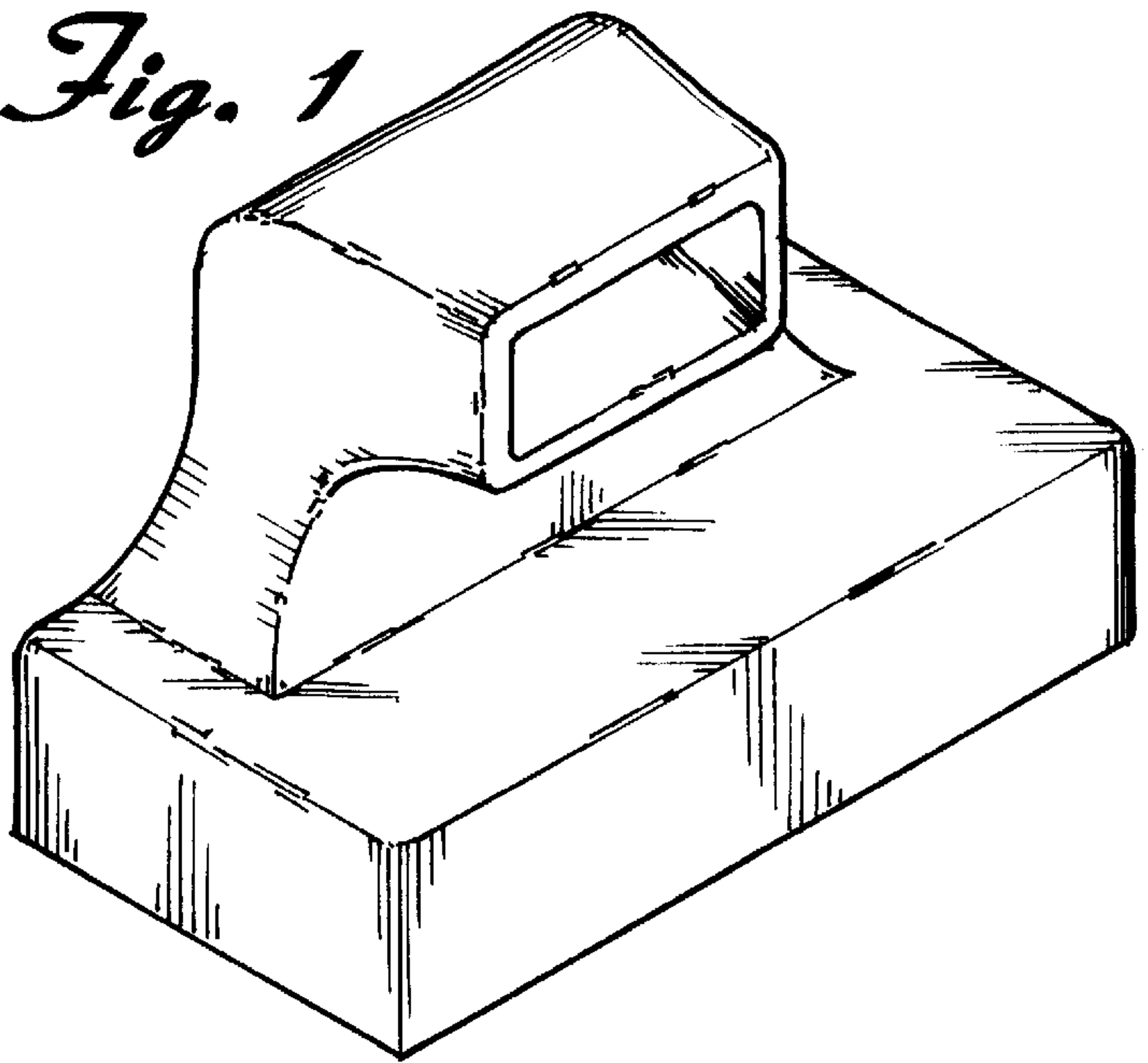


Fig. 3

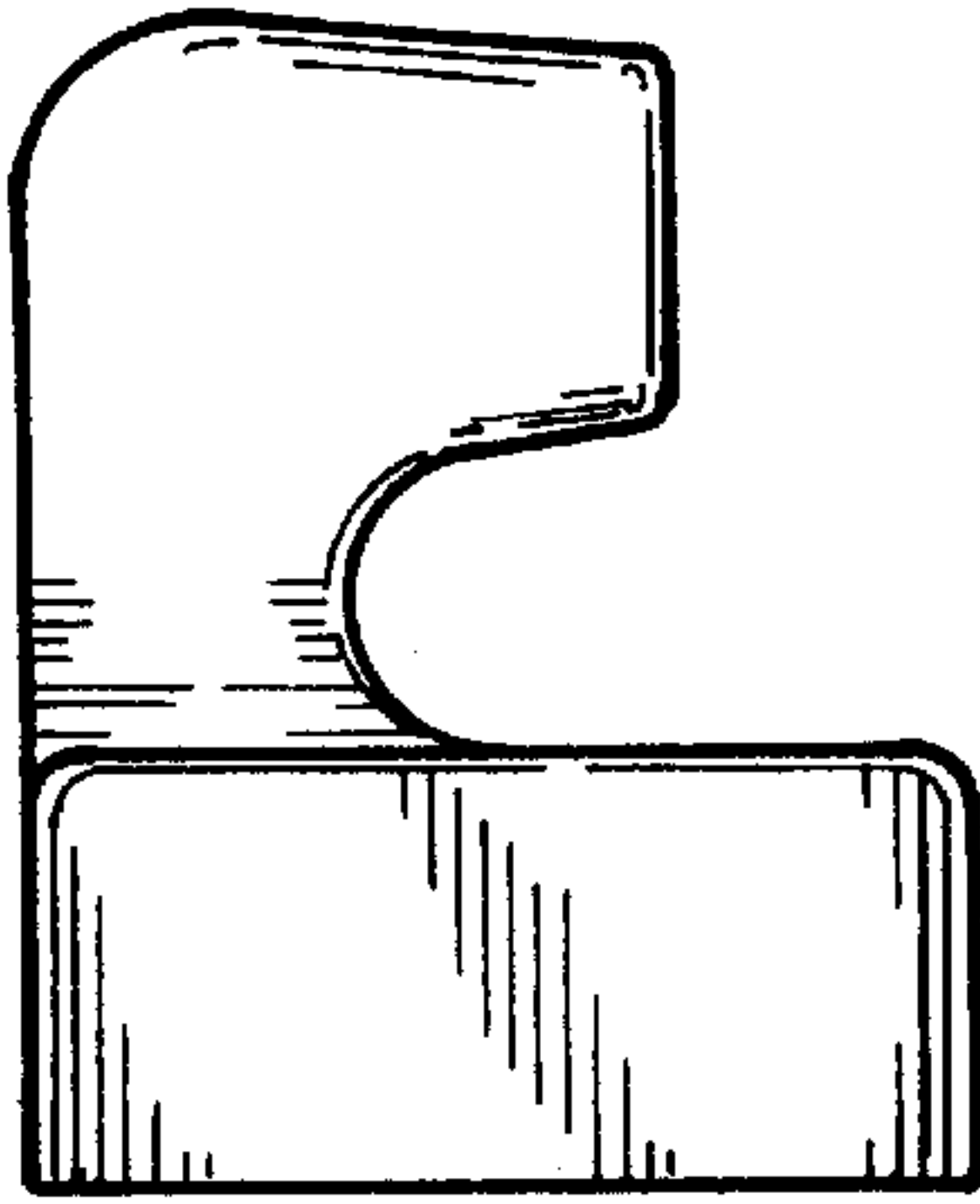


Fig. 2

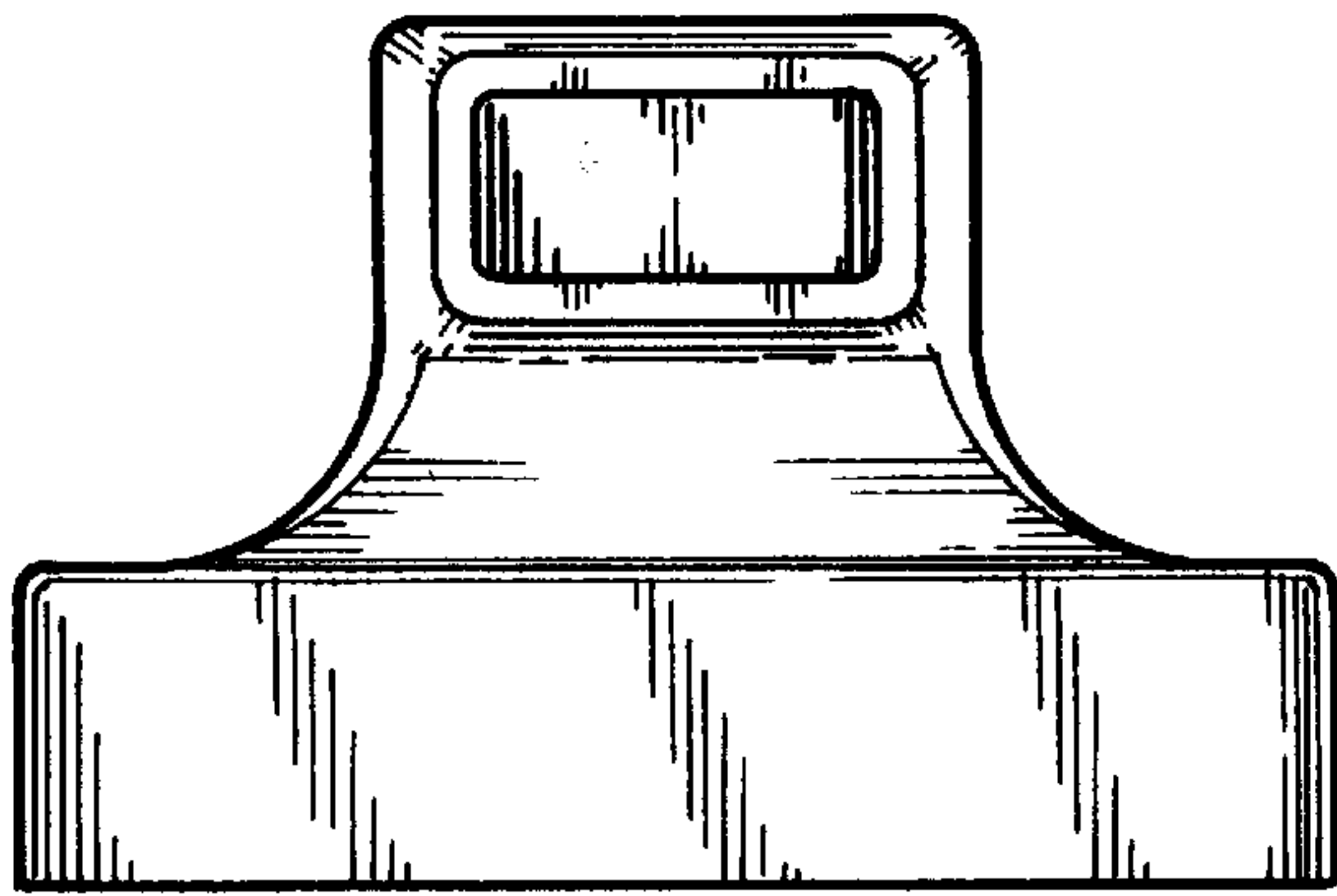


Fig. 4

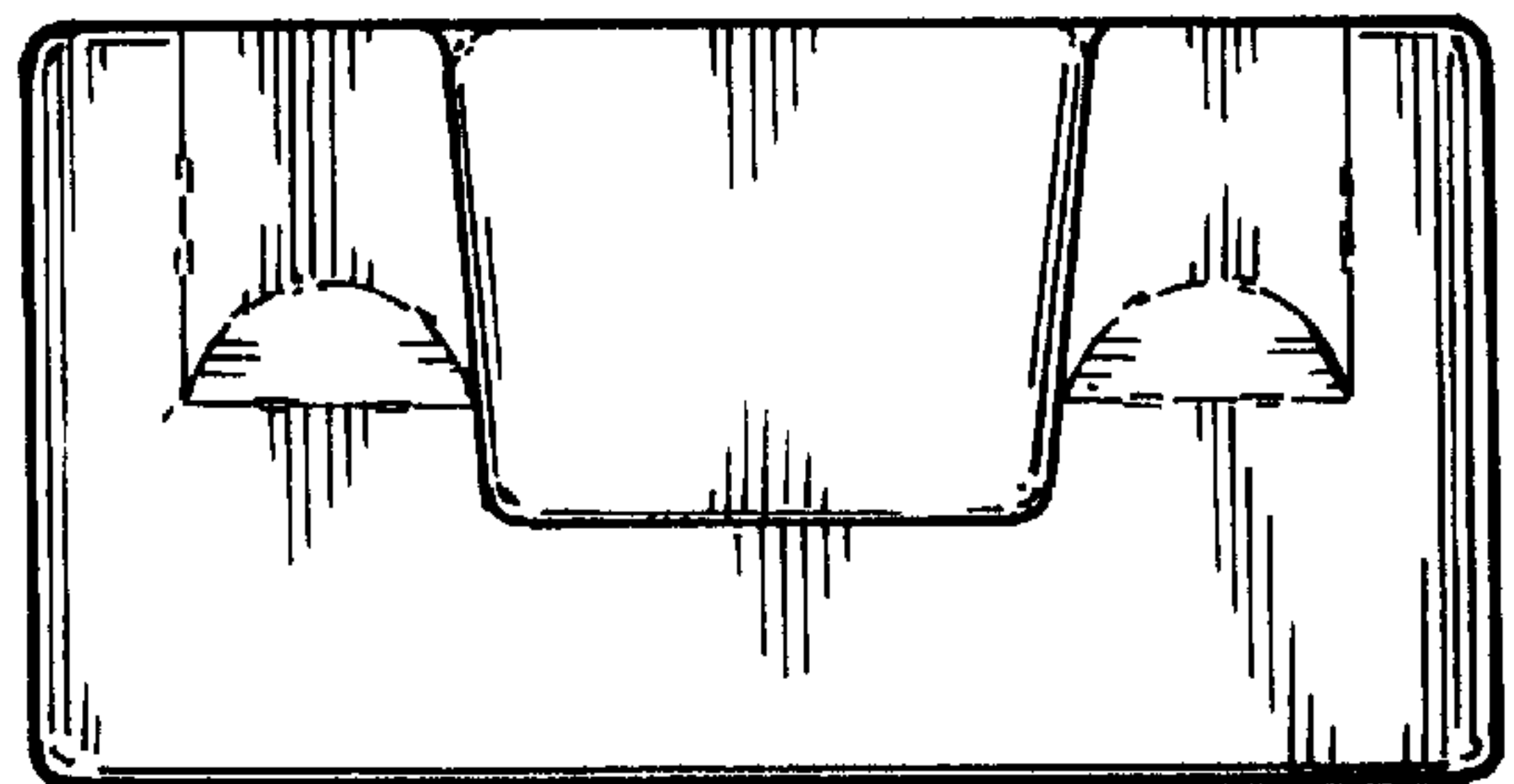


Fig. 5

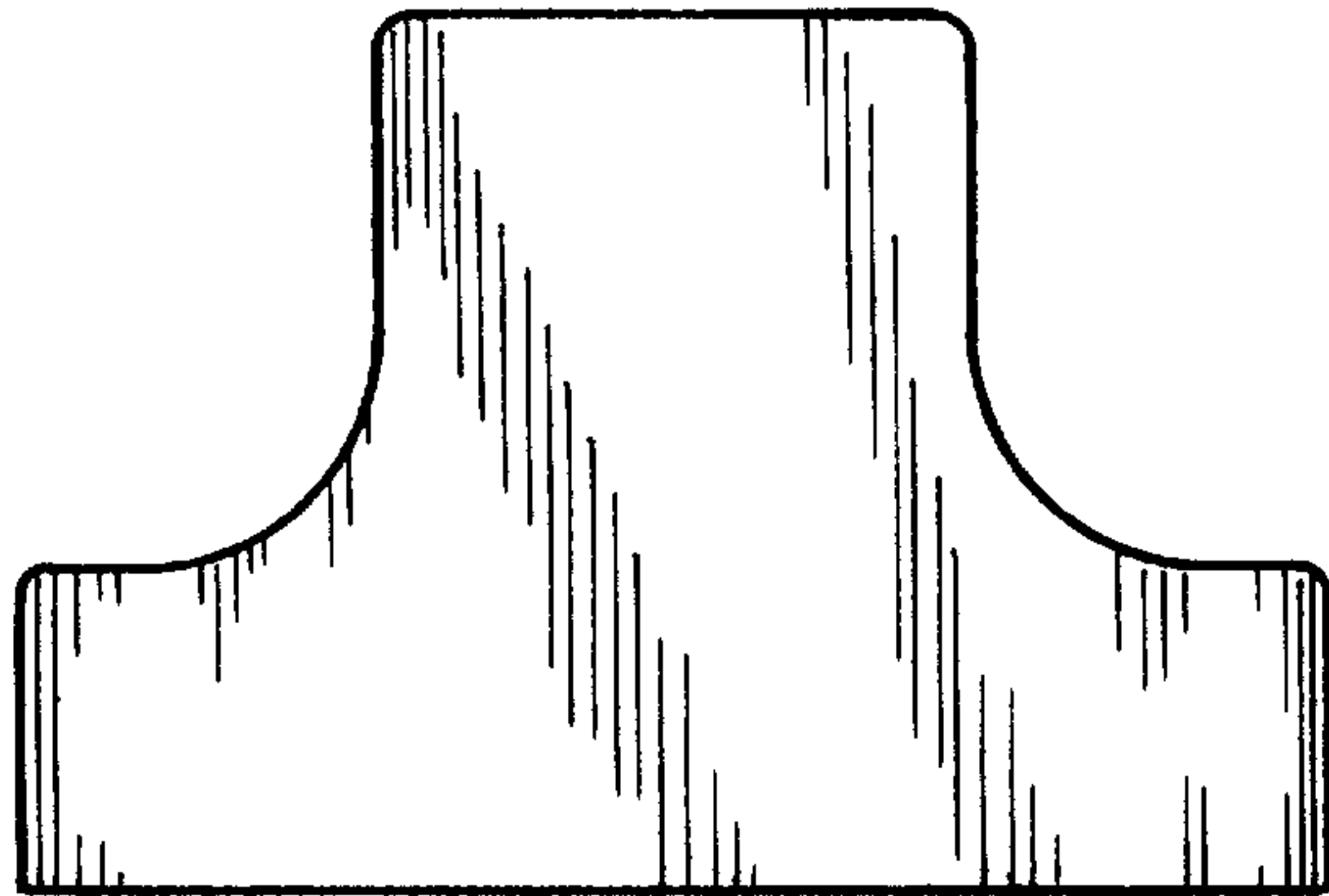


Fig. 6

