



US00D419426S

# United States Patent [19]

Kovacik et al.

[11] Patent Number: Des. 419,426

[45] Date of Patent: \*\* Jan. 25, 2000

[54] ELECTRIC CORD STORAGE REEL

[75] Inventors: **James D. Kovacik**, Brecksville; **Paul S. Blanch**, Broadview Heights; **Stanley E. Grzywna**, Elyria, all of Ohio

[73] Assignee: **Alert Stamping & Mfg. Co., Inc.**, Bedford Heights, Ohio

[\*\*] Term: 14 Years

[21] Appl. No.: 29/097,243

[22] Filed: Dec. 2, 1998

[51] LOC (7) Cl. .... 08-01

[52] U.S. Cl. .... D8/358

[58] Field of Search ..... D8/358, 359; 242/395, 242/405.3, 403.1, 388.1; 191/12.4

D. 313,167	12/1990	Kovacik et al. .
D. 384,878	10/1997	Kovacik et al. .
3,715,526	2/1973	Blanch et al. .
3,904,843	9/1975	Kendecky .
4,350,850	9/1982	Kovacik et al. .
4,725,697	2/1988	Kovacik et al. .
4,726,538	2/1988	Kovacik et al. .
5,101,082	3/1992	Simmons et al. .
5,645,147	7/1997	Kovacik et al. .

Primary Examiner—Holly Baynham  
Attorney, Agent, or Firm—MacMillan, Sobanski & Todd, LLC

## [57] CLAIM

We claim the ornamental design for the electric cord storage reel, as shown.

## DESCRIPTION

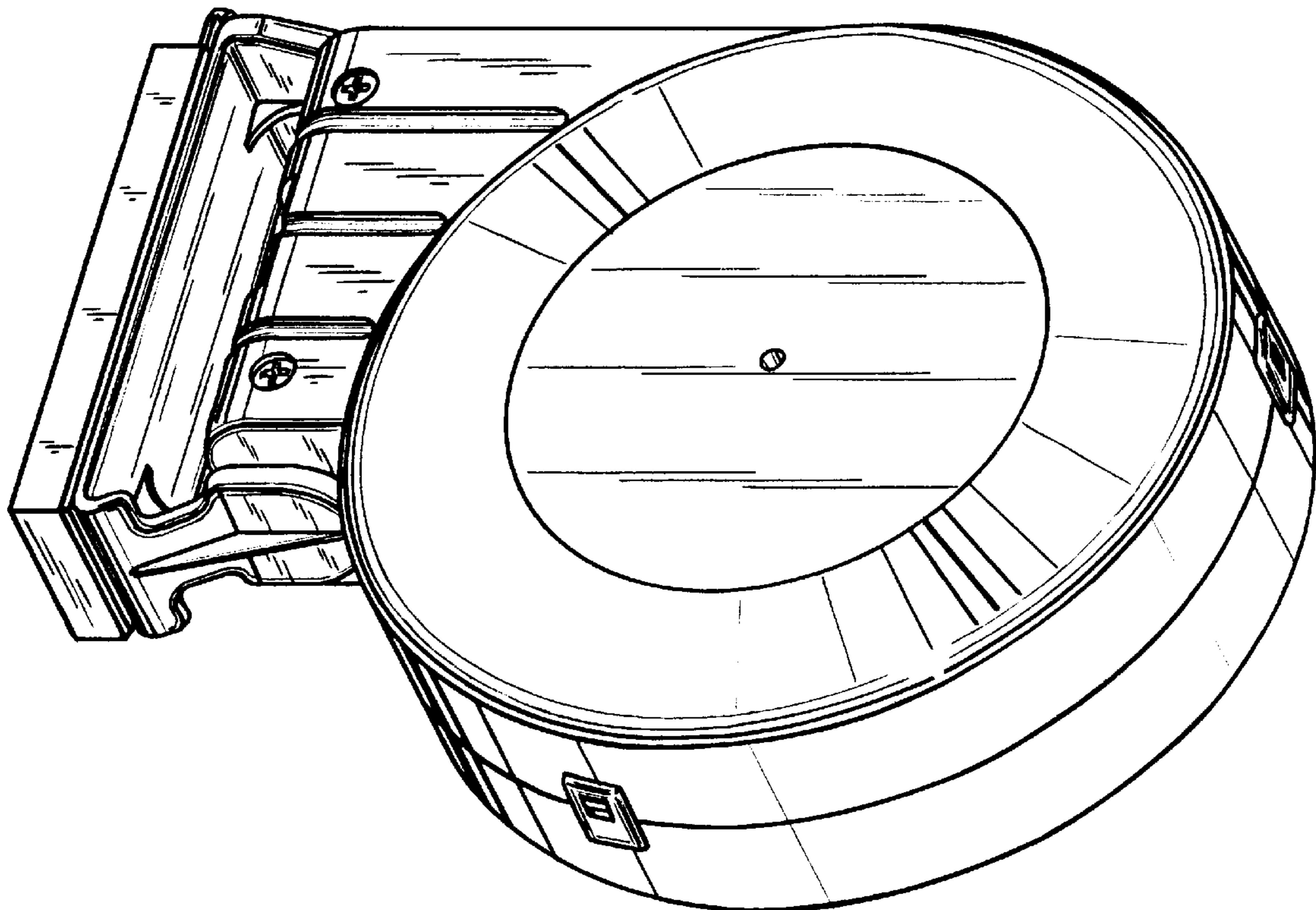
FIG. 1 is a perspective view of the electric cord storage reel of the present invention;  
FIG. 2 is a top plan view thereof;  
FIG. 3 is a right side elevation view thereof;  
FIG. 4 is a rear elevation view thereof;  
FIG. 5 is a left side elevation view thereof;  
FIG. 6 is a bottom plan view thereof; and,  
FIG. 7 is a front elevation view thereof.

1 Claim, 4 Drawing Sheets

## [56] References Cited

### U.S. PATENT DOCUMENTS

D. 226,165	1/1973	Miller .
D. 260,073	8/1981	Wells .
D. 275,263	8/1984	Cutler .
D. 286,134	10/1986	Schwartz .
D. 296,661	7/1988	Kovacik et al. .
D. 313,165	12/1990	Kovacik et al. .
D. 313,166	12/1990	Kovacik et al. .



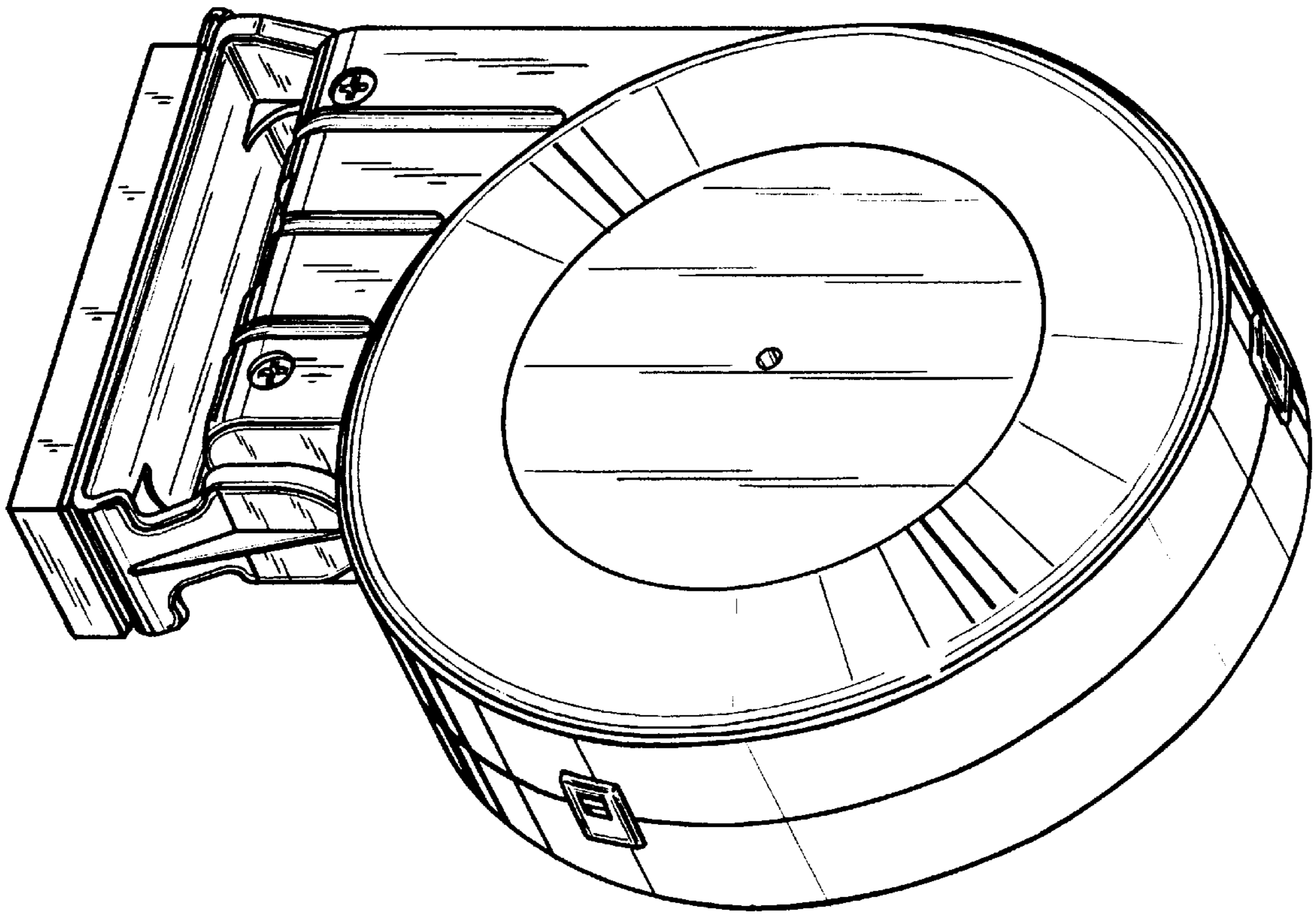


FIG. 1

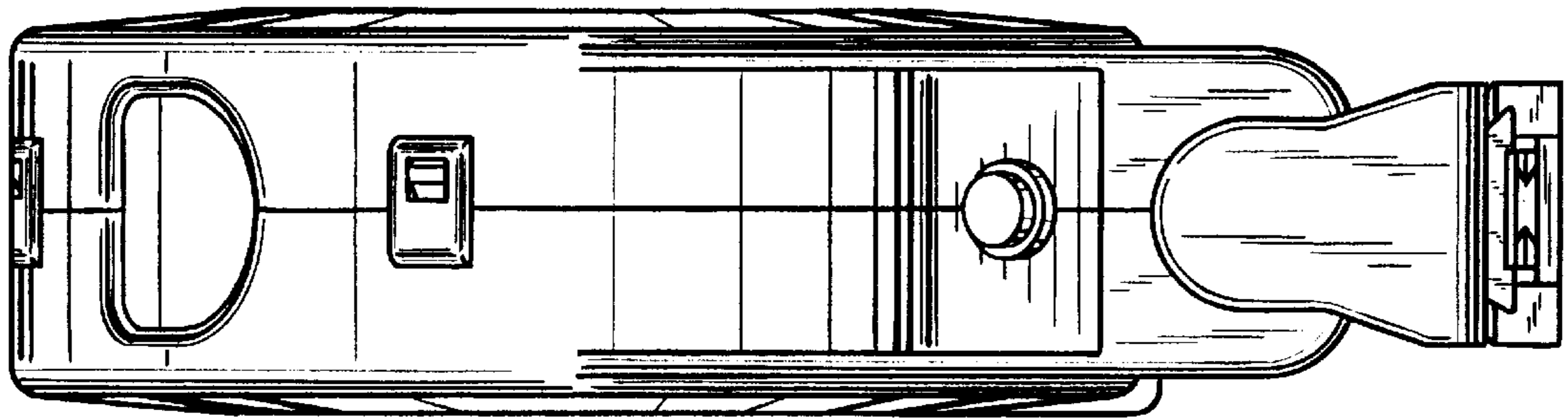


FIG. 2

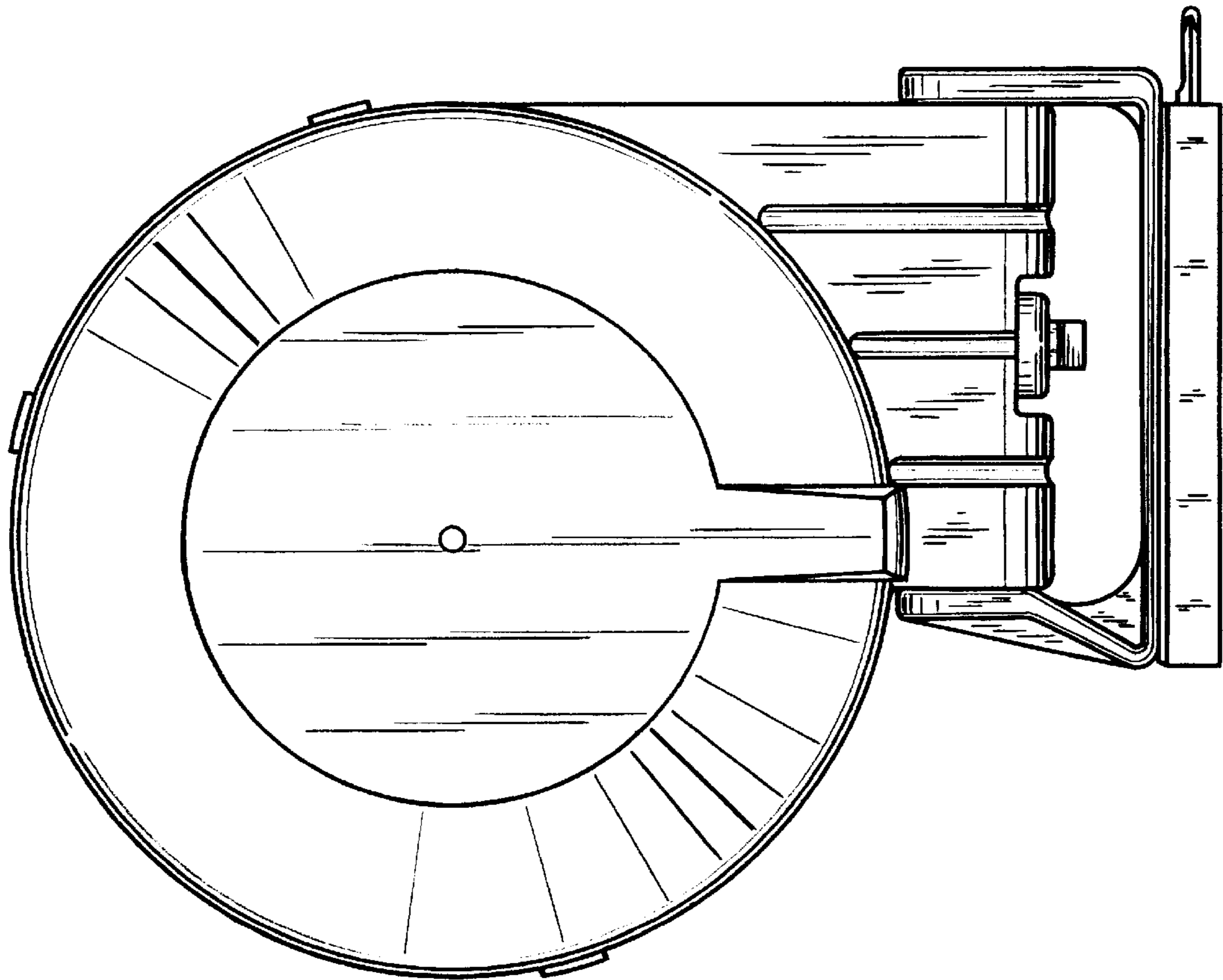


FIG. 3

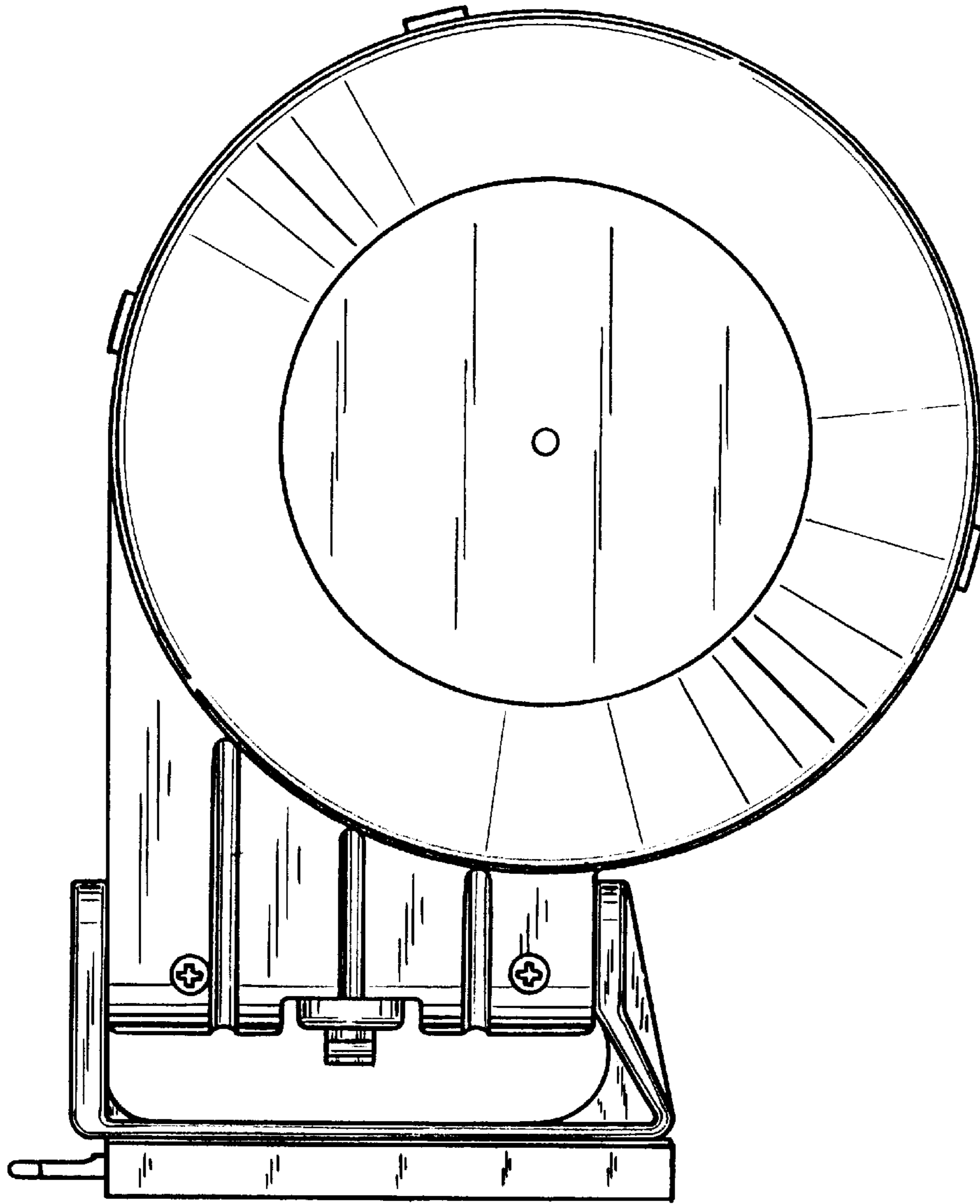


FIG. 5

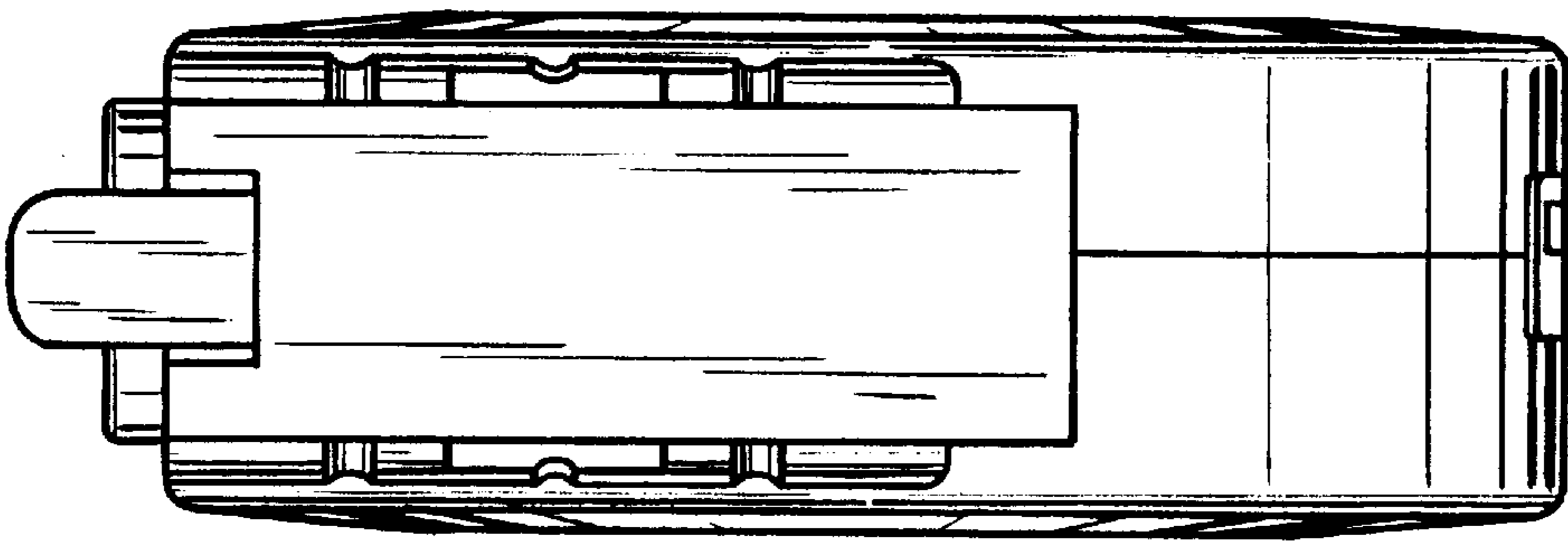


FIG. 4

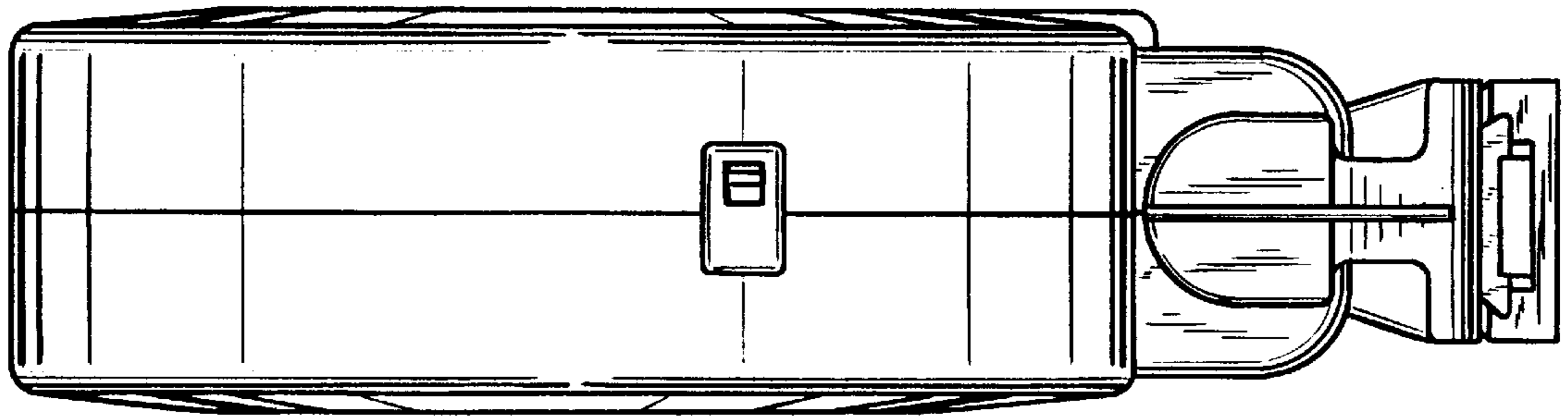


FIG. 6

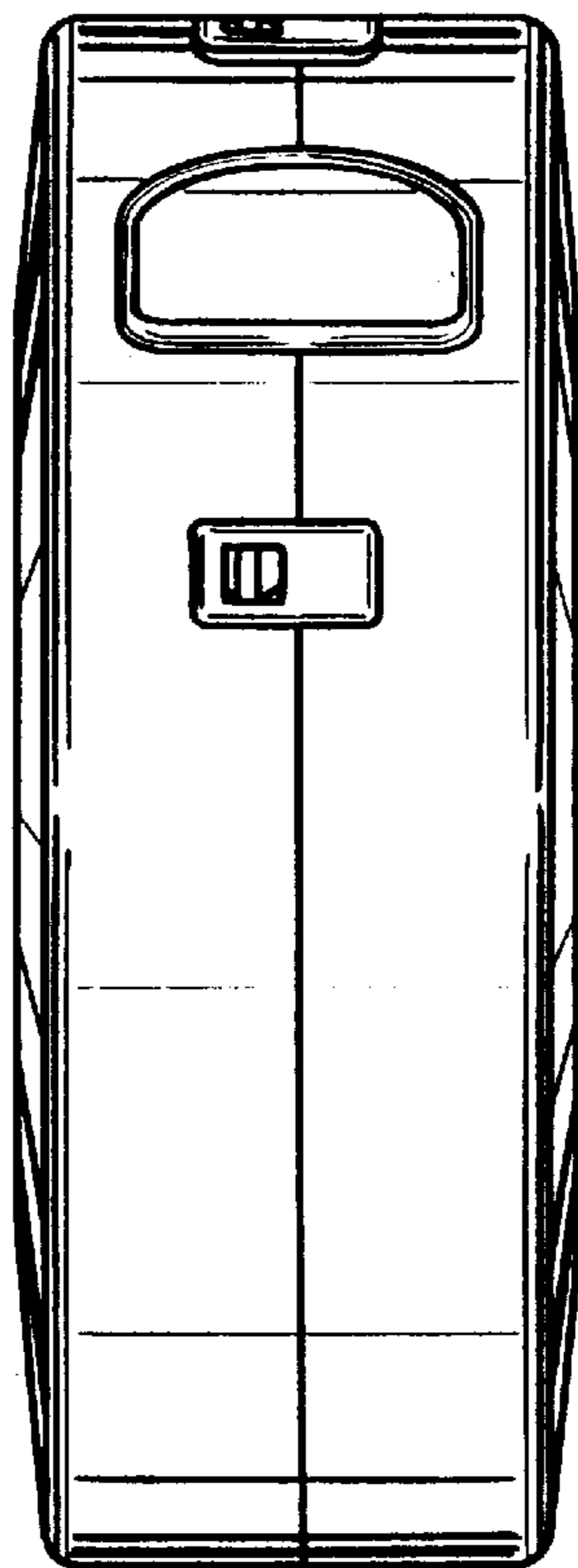


FIG. 7