



US00D419425S

United States Patent [19]

Clark et al.

[11] Patent Number: **Des. 419,425**

[45] Date of Patent: **** Jan. 25, 2000**

[54] **STRIKER ASSEMBLY FOR LATCH**

[75] Inventors: **Anthony John Clark**, Cremorne;
David Thomas Doyle, North Manly,
both of Australia

[73] Assignee: **D & D Group Pty Limited**, Brookvale,
Australia

[**] Term: **14 Years**

[21] Appl. No.: **29/085,737**

[22] Filed: **Mar. 30, 1998**

[30] **Foreign Application Priority Data**

Sep. 30, 1997 [AU] Australia 3266/97

[51] **LOC (7) Cl.** **08-07**

[52] **U.S. Cl.** **D8/343**

[58] **Field of Search** D8/330, 331, 343,
D8/344, 336, 339; 292/340, 341.11, 341

[56] **References Cited**

U.S. PATENT DOCUMENTS

D. 261,225 10/1981 Sterling D8/344

D. 351,781 10/1994 DeWitt D8/344
3,967,845 7/1976 Governale 292/340
4,602,813 7/1986 Gergoe et al. 292/340

Primary Examiner—Susan J. Lucas
Assistant Examiner—Jennifer Rivard
Attorney, Agent, or Firm—Davis and Bujold

[57] **CLAIM**

The ornamental design for a striker assembly for latch, as shown and described.

DESCRIPTION

FIG. 1 is a perspective view of a striker assembly for latch showing the new design thereof;
FIG. 2 is a front elevation thereof;
FIG. 3 is a side elevation view thereof;
FIG. 4 is a back elevation view thereof;
FIG. 5 is a top plan view thereof; and,
FIG. 6 is a bottom plan view thereof.

The surface(s) or portion(s) of the article not shown in the drawing or described in the specification form(s) no part of the claimed design.

1 Claim, 4 Drawing Sheets

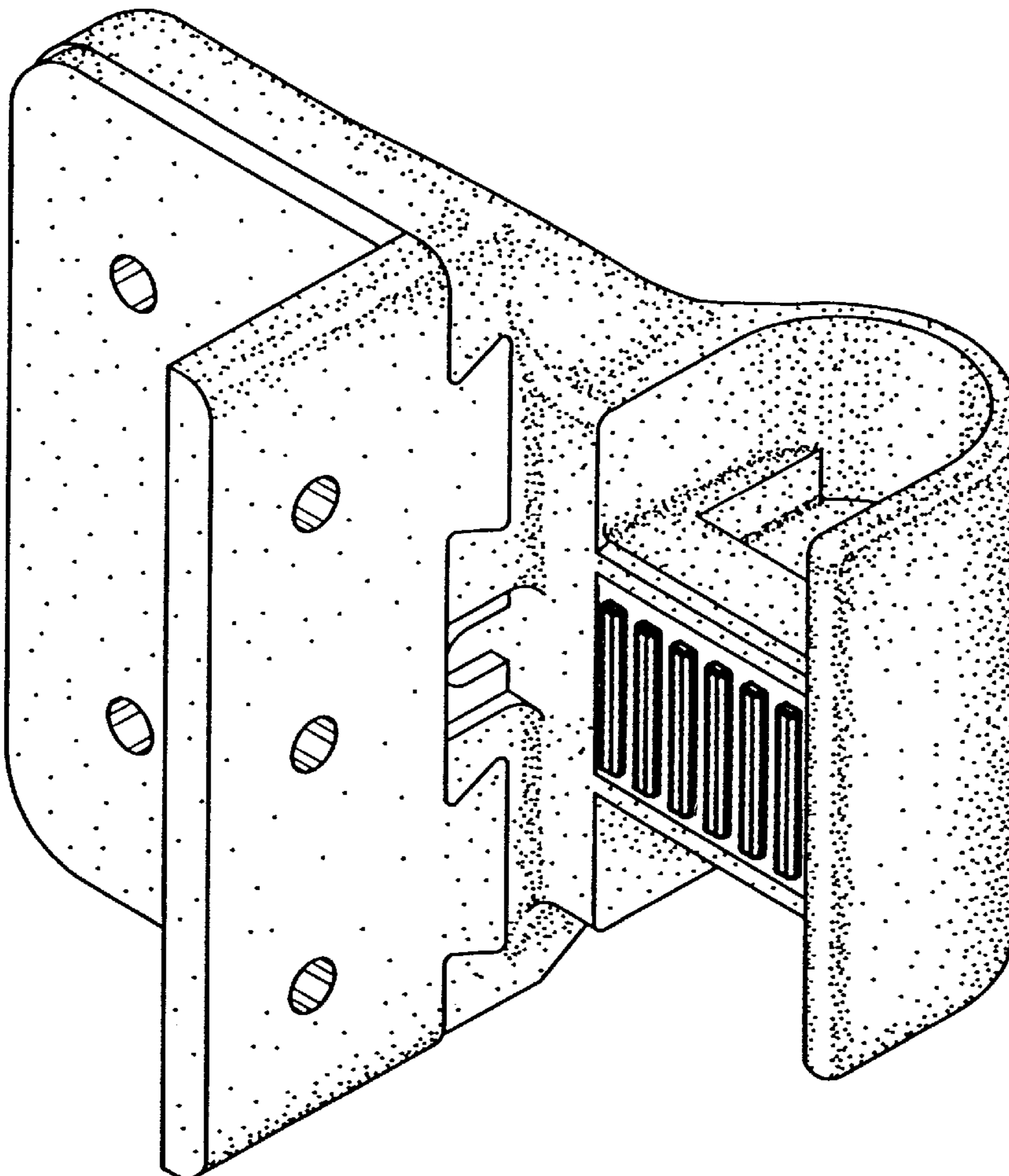


FIG. 1

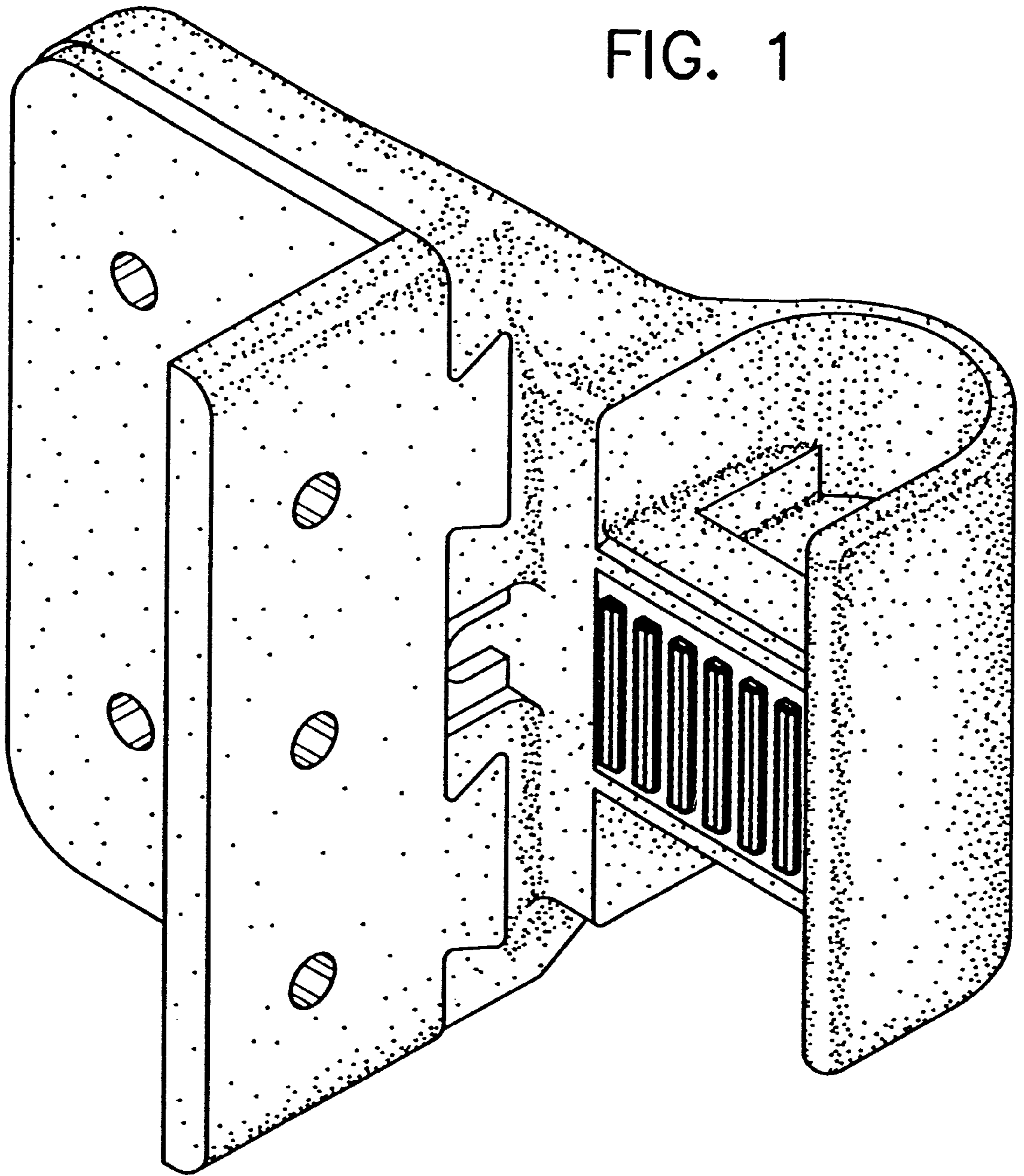


FIG. 2

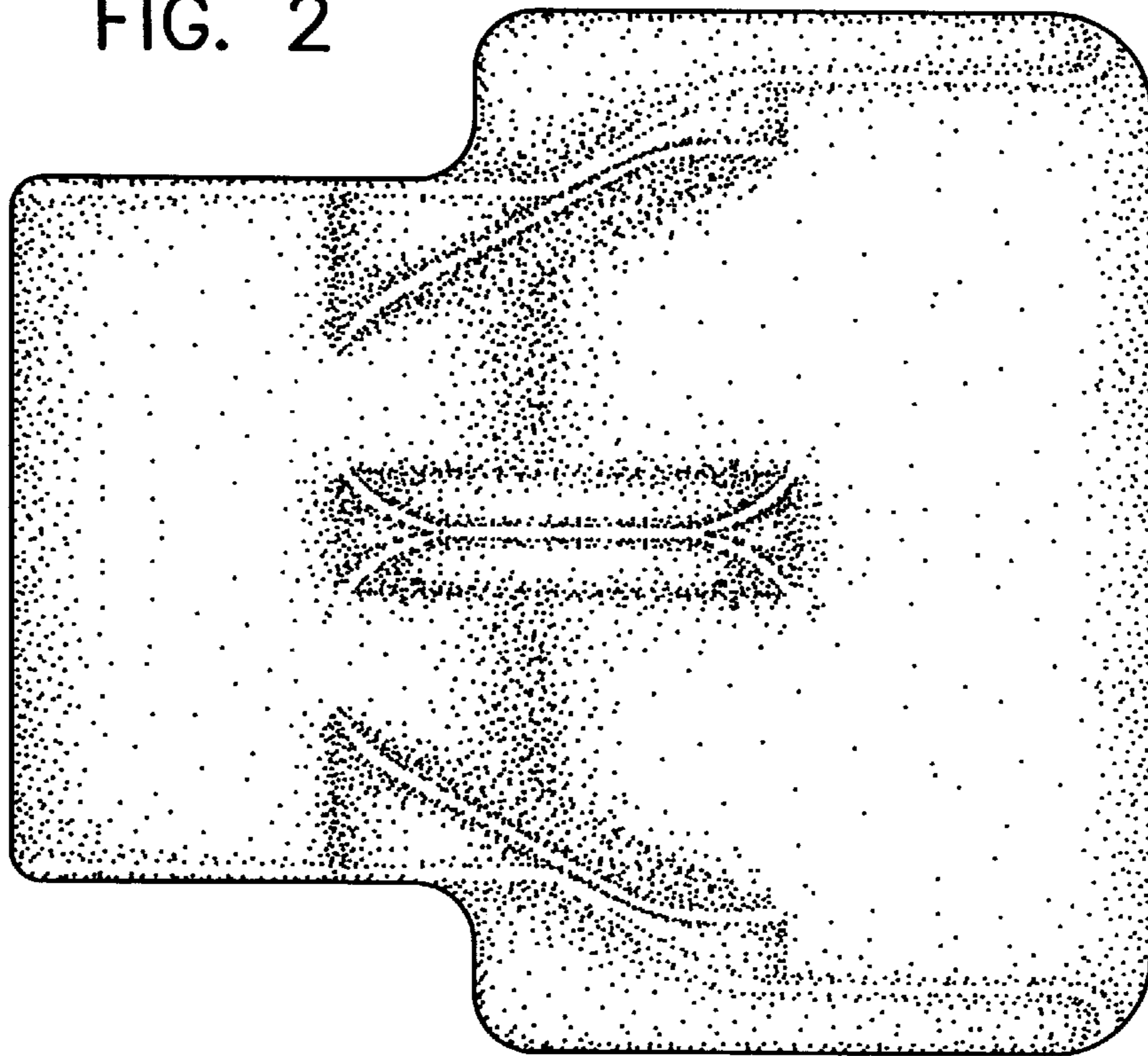


FIG. 3

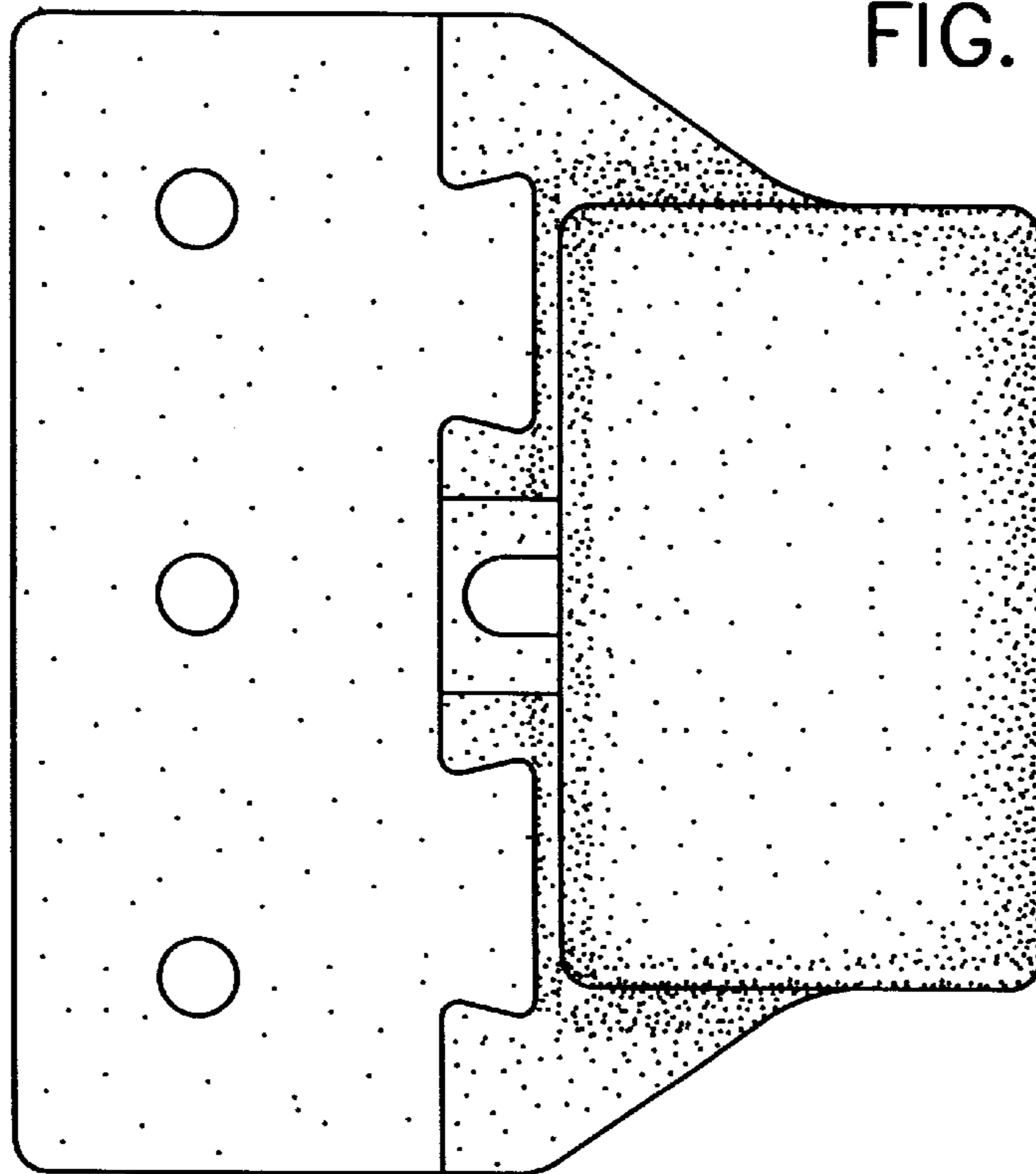


FIG. 4

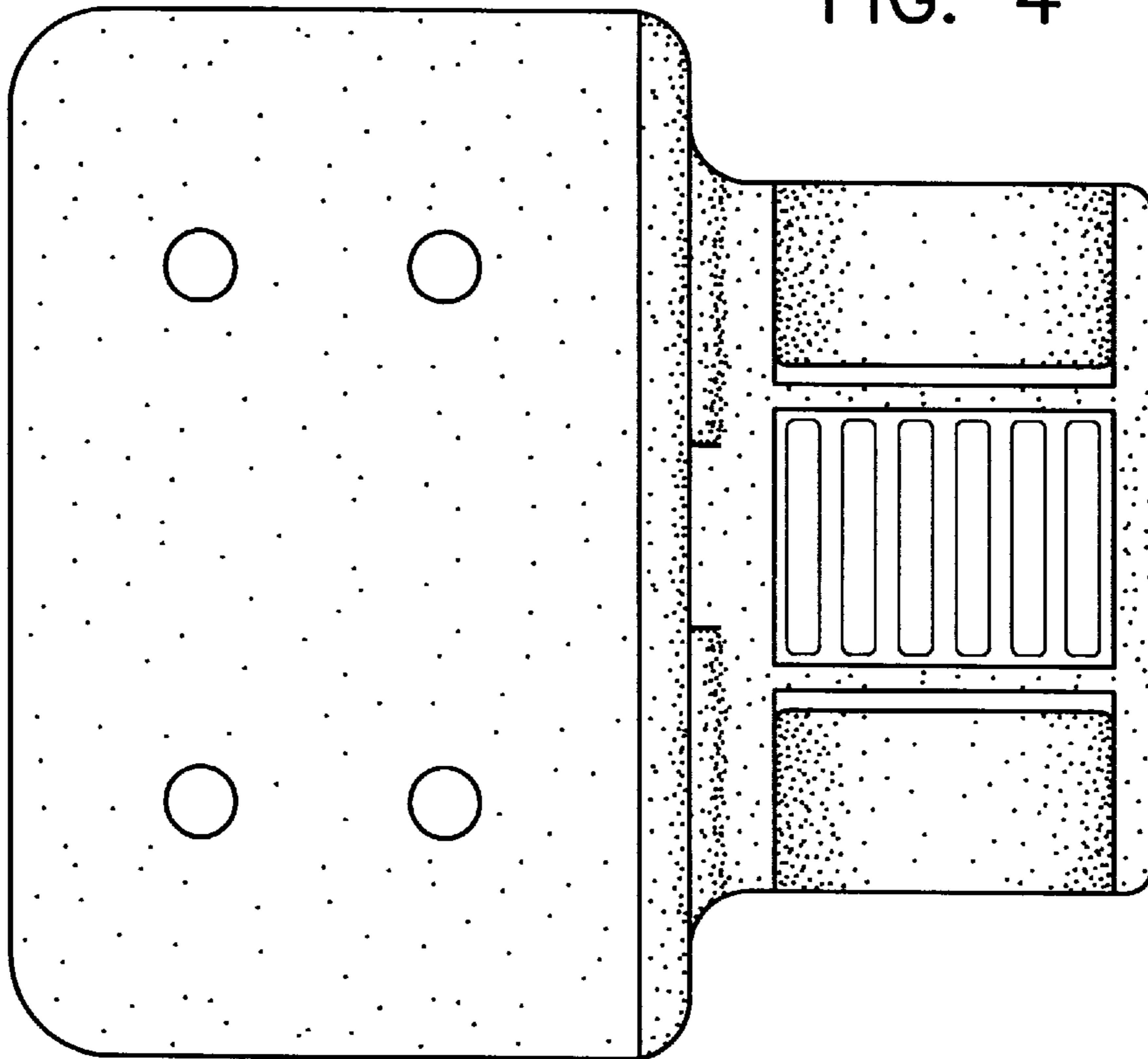


FIG. 5

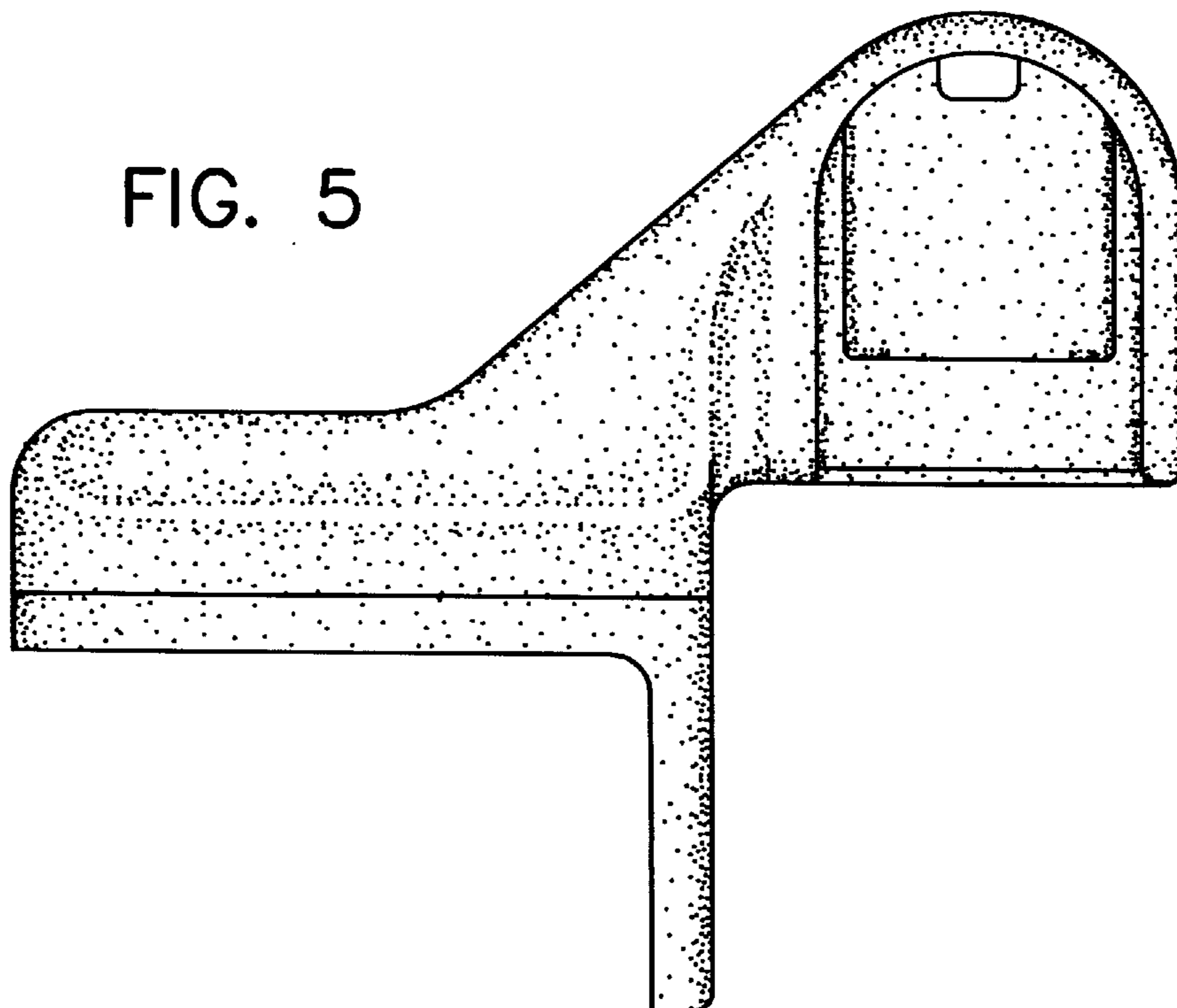


FIG. 6

