



US00D419423S

United States Patent [19]
Ayrest

[11] **Patent Number: Des. 419,423**

[45] **Date of Patent: ** Jan. 25, 2000**

[54] **DOOR CATCH**

[76] Inventor: **Robert B. Ayrest**, 6160 Cobblestone Rd., Placerville, Calif. 95667

[**] Term: **14 Years**

[21] Appl. No.: **29/098,439**

[22] Filed: **Dec. 29, 1998**

[51] **LOC (7) Cl.** **08-07**

[52] **U.S. Cl.** **D8/339**

[58] **Field of Search** 24/326, 588, 662;
D8/330, 331, 339, 341; 292/17, 13, 18,
91, 76, DIG. 38; 70/79

[56] **References Cited**

U.S. PATENT DOCUMENTS

D. 200,255	2/1965	Bacon	D8/339
D. 271,661	12/1983	Stark	D8/339
2,946,612	7/1960	Ahlgren .		
3,103,378	9/1963	Ahlgren .		
3,734,551	5/1973	Hughes et al.	292/17
3,776,580	12/1973	Michael	292/17
4,250,599	2/1981	Nagashima et al. .		
4,657,291	4/1987	Kurosaki .		
4,709,949	12/1987	Umezawa et al.	24/662 X
4,881,764	11/1989	Takahashi et al. .		
5,005,880	4/1991	Raine et al. .		
5,435,640	7/1995	Holcomb .		

OTHER PUBLICATIONS

- Brochure, ACB Plastics, Inc., 1997.
- Brochure, McMaster-Carr Catalog, 1997.
- Brochure, Grainger, 1997.

Primary Examiner—Susan J. Lucas
Assistant Examiner—Jennifer Rivard

Attorney, Agent, or Firm—Bernhard Kreten

[57] **CLAIM**

The ornamental design for a door catch, as shown and described.

DESCRIPTION

FIG. 1 is a perspective view of a door catch showing my new design.

FIG. 2 is a top view thereof, the bottom view being a mirror image.

FIG. 3 is an end view thereof.

FIG. 4 is a side view thereof, the opposite side view being a mirror image.

FIG. 5 is an opposite end view of that which is shown in FIG. 3.

FIG. 6 is a perspective view thereof.

FIG. 7 is a top view thereof, the bottom view being a mirror image.

FIG. 8 is an end view thereof.

FIG. 9 is a side view thereof, the opposite side view being a mirror image.

FIG. 10 is an opposite end view of that which is shown in FIG. 8.

FIG. 11 is a perspective view thereof.

FIG. 12 is a top view thereof, the bottom view being a mirror image.

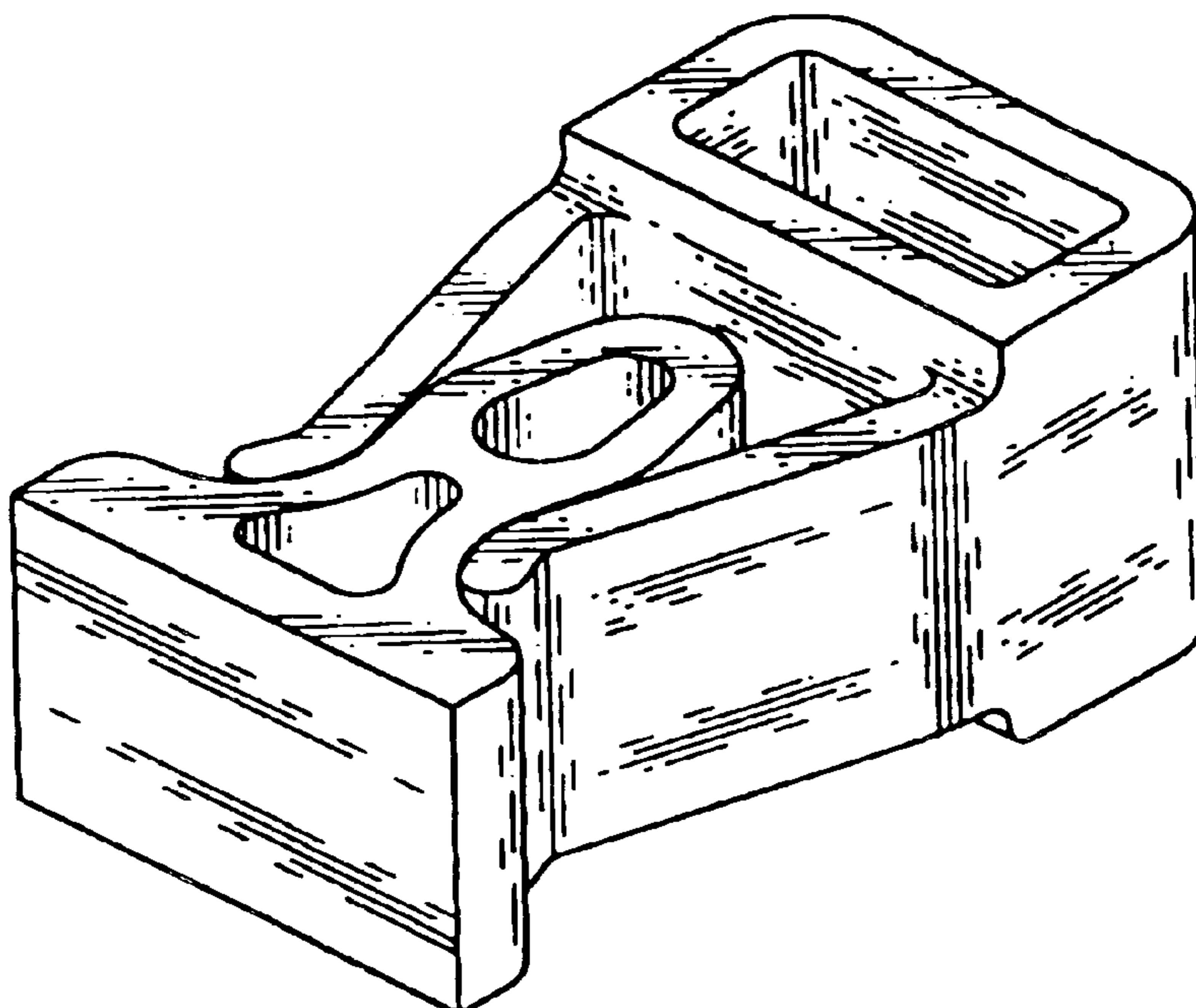
FIG. 13 is an end view thereof.

FIG. 14 is a side view thereof, the opposite side view being a mirror image; and,

FIG. 15 is an opposite end view of that which is shown in FIG. 13.

For convenience of illustration, the two sections of the door catch have been disclosed separately.

1 Claim, 3 Drawing Sheets



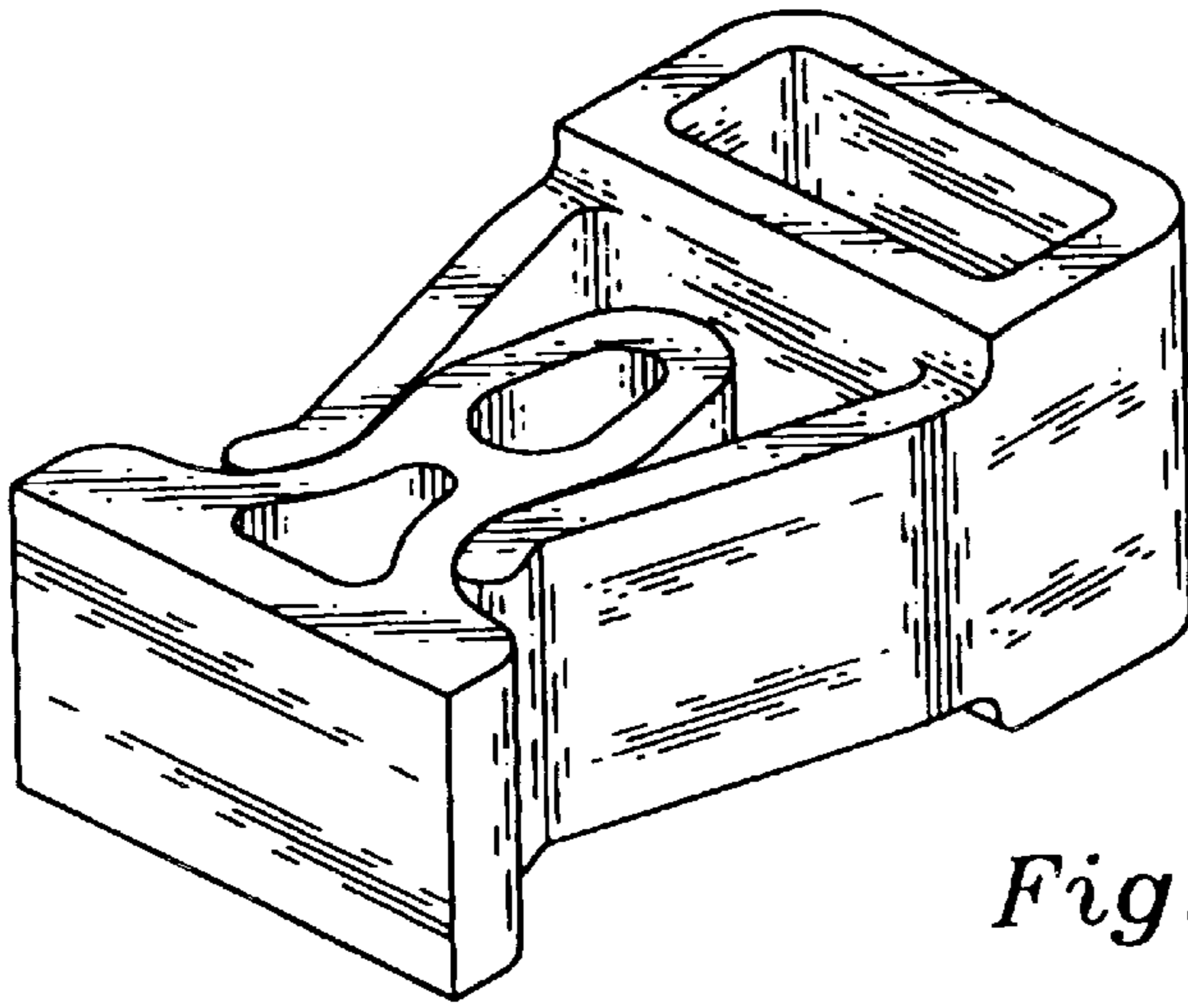


Fig. 1

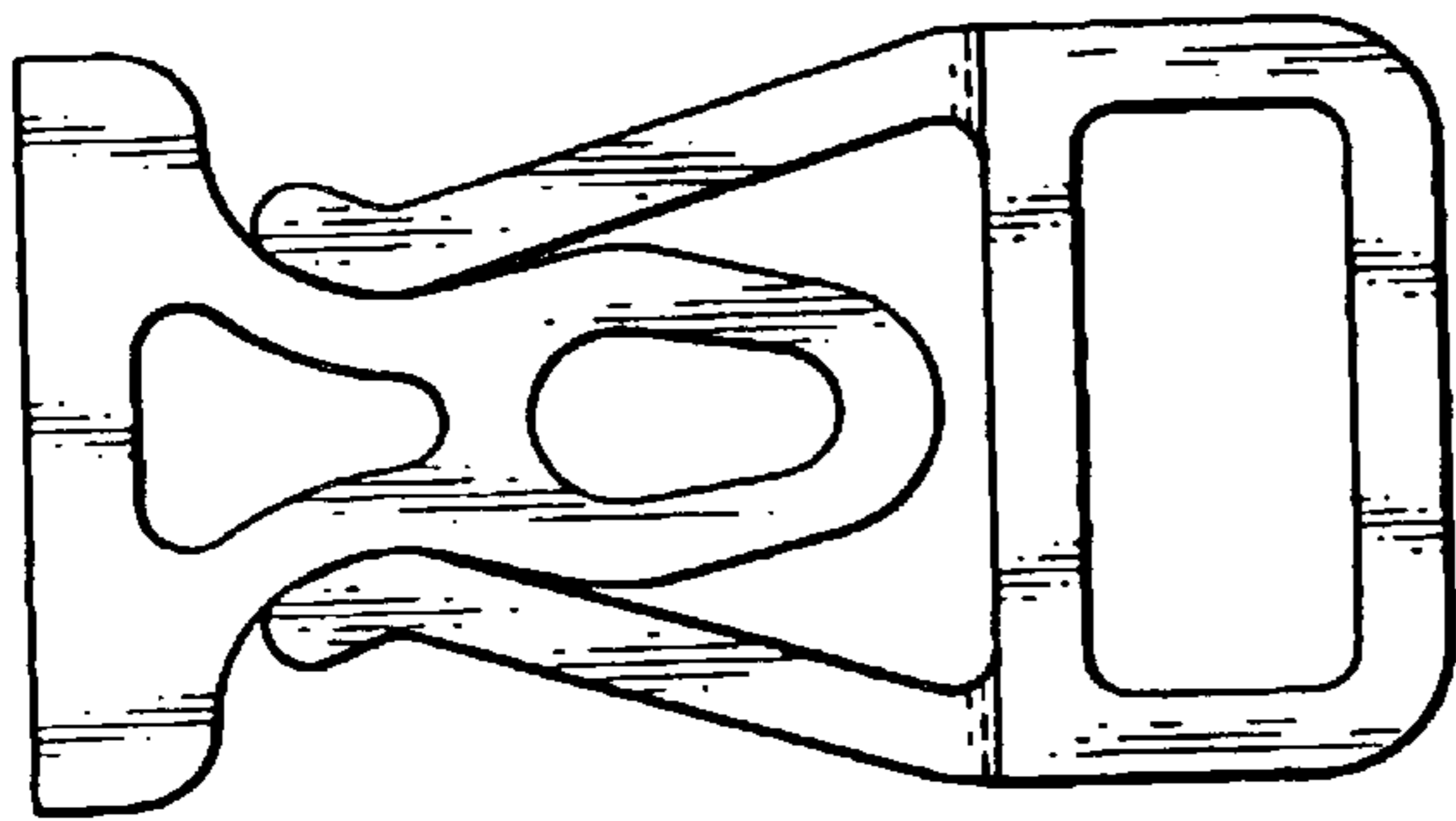


Fig. 2

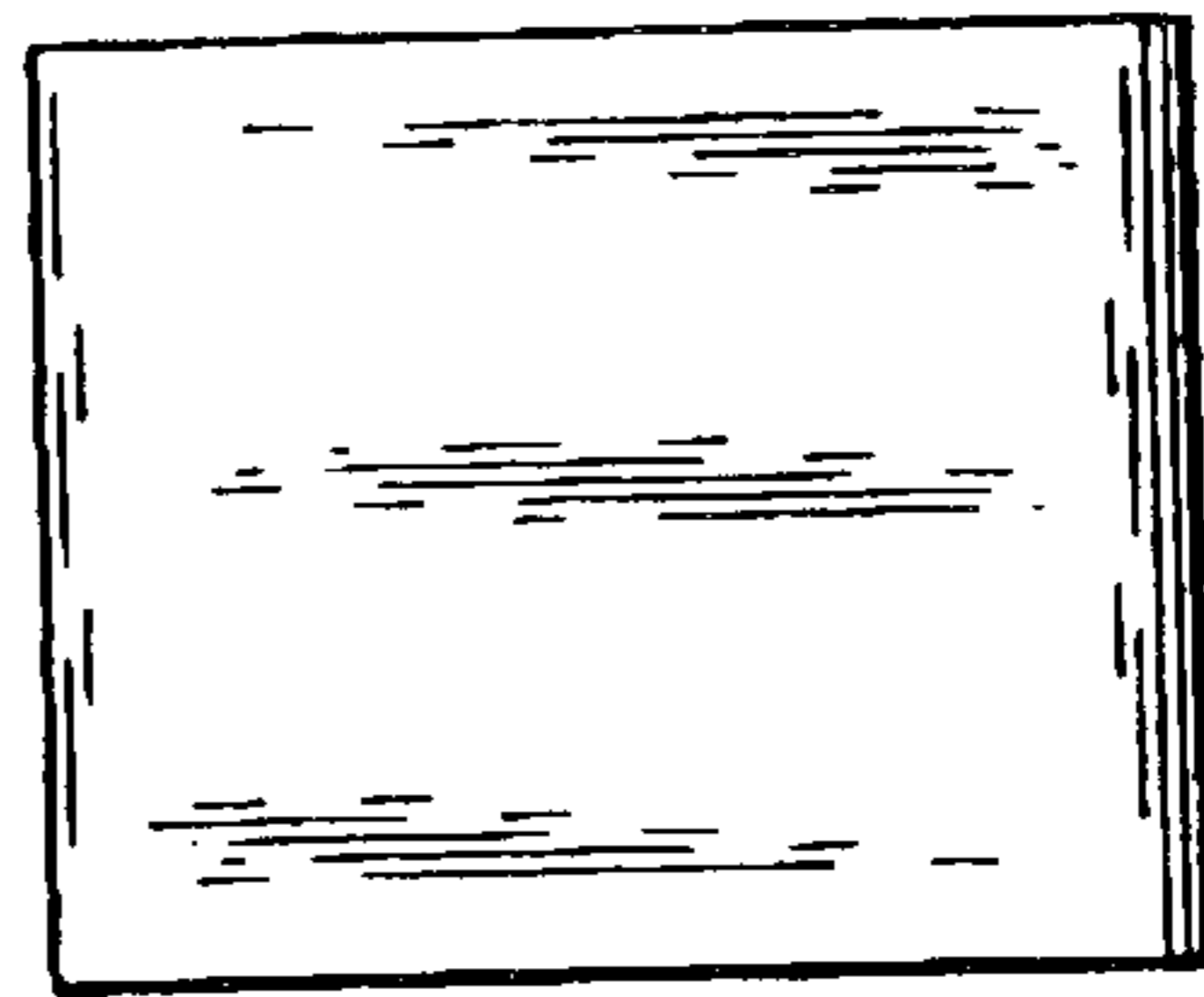


Fig. 3

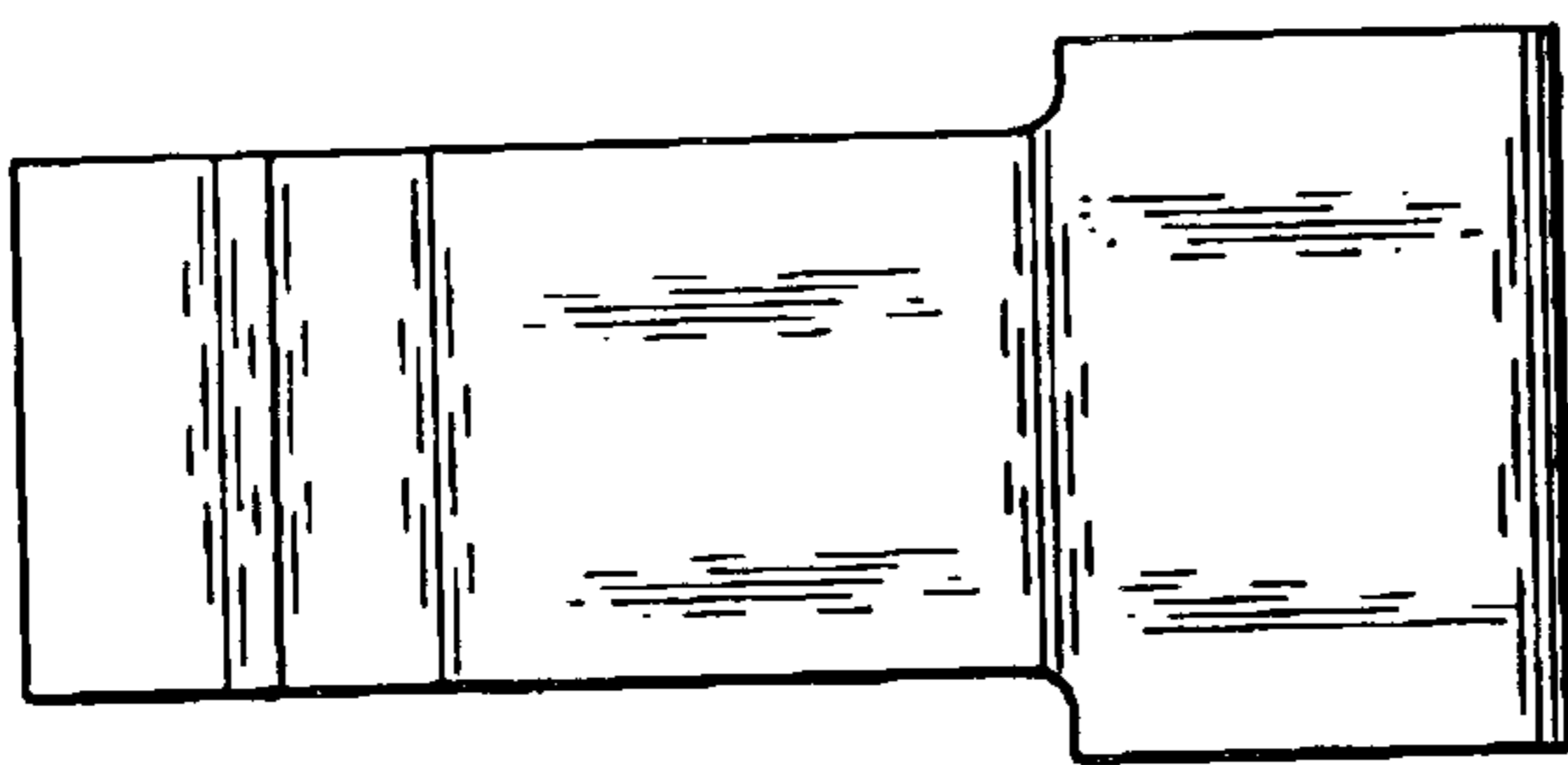


Fig. 4

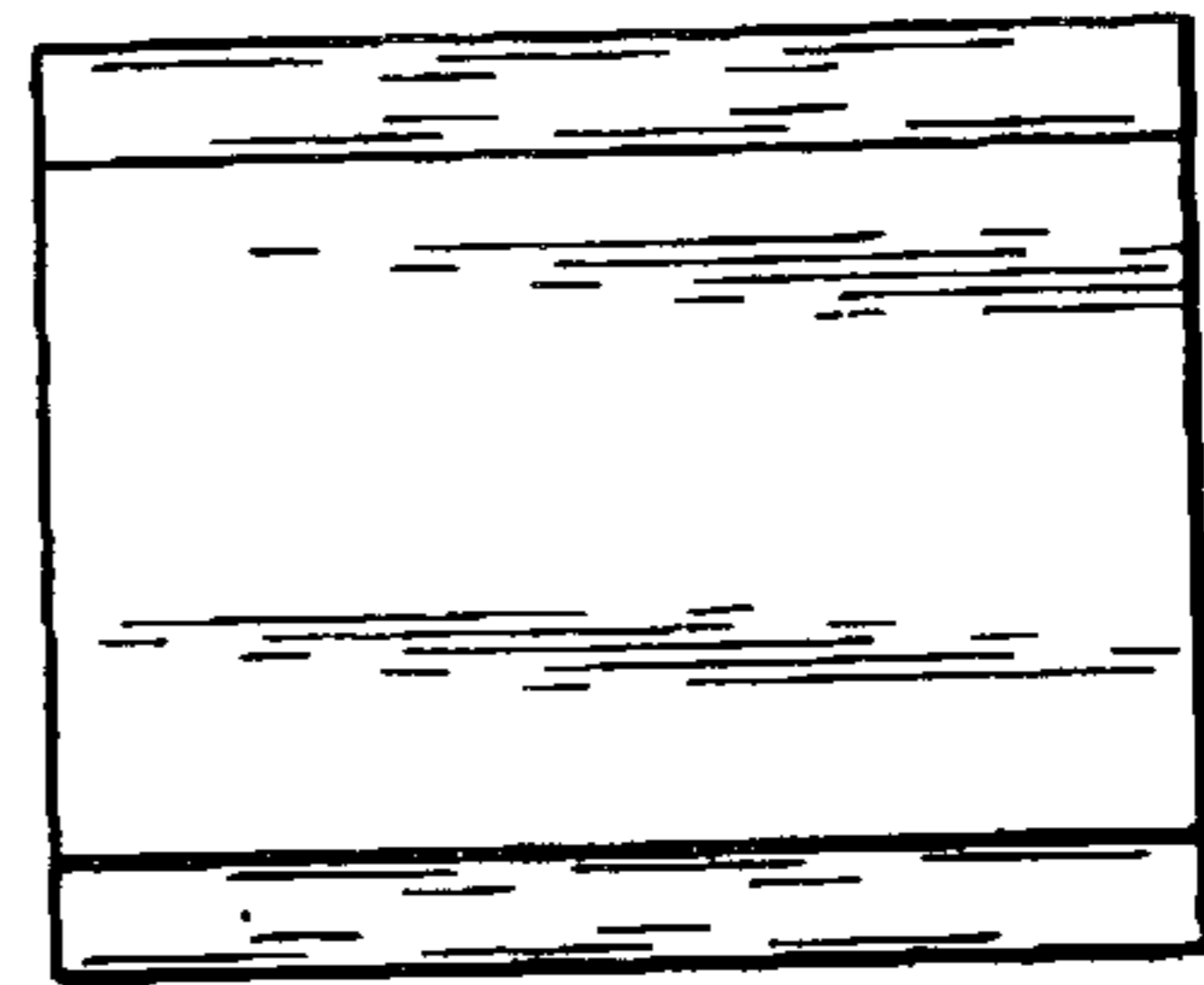


Fig. 5

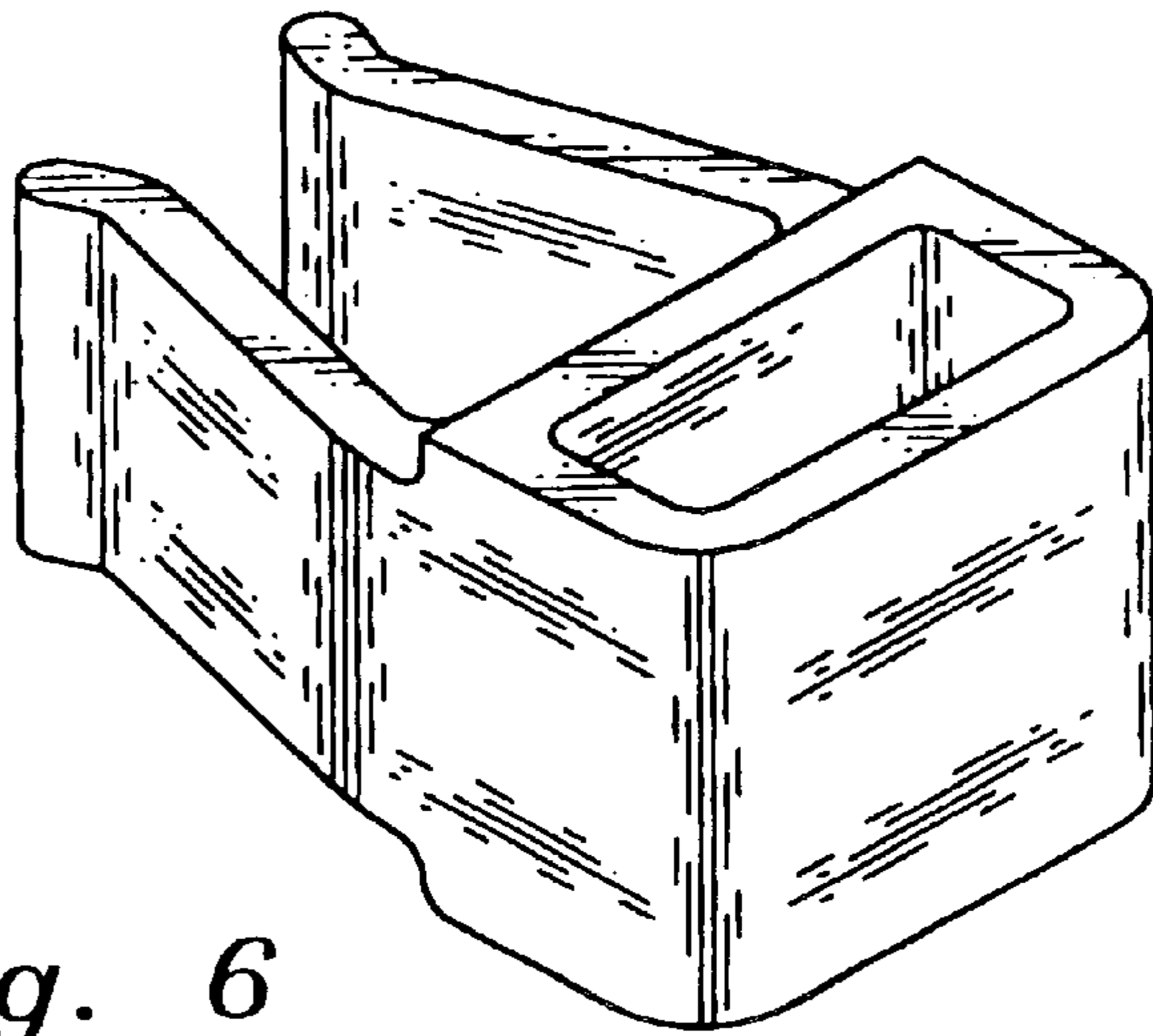


Fig. 6

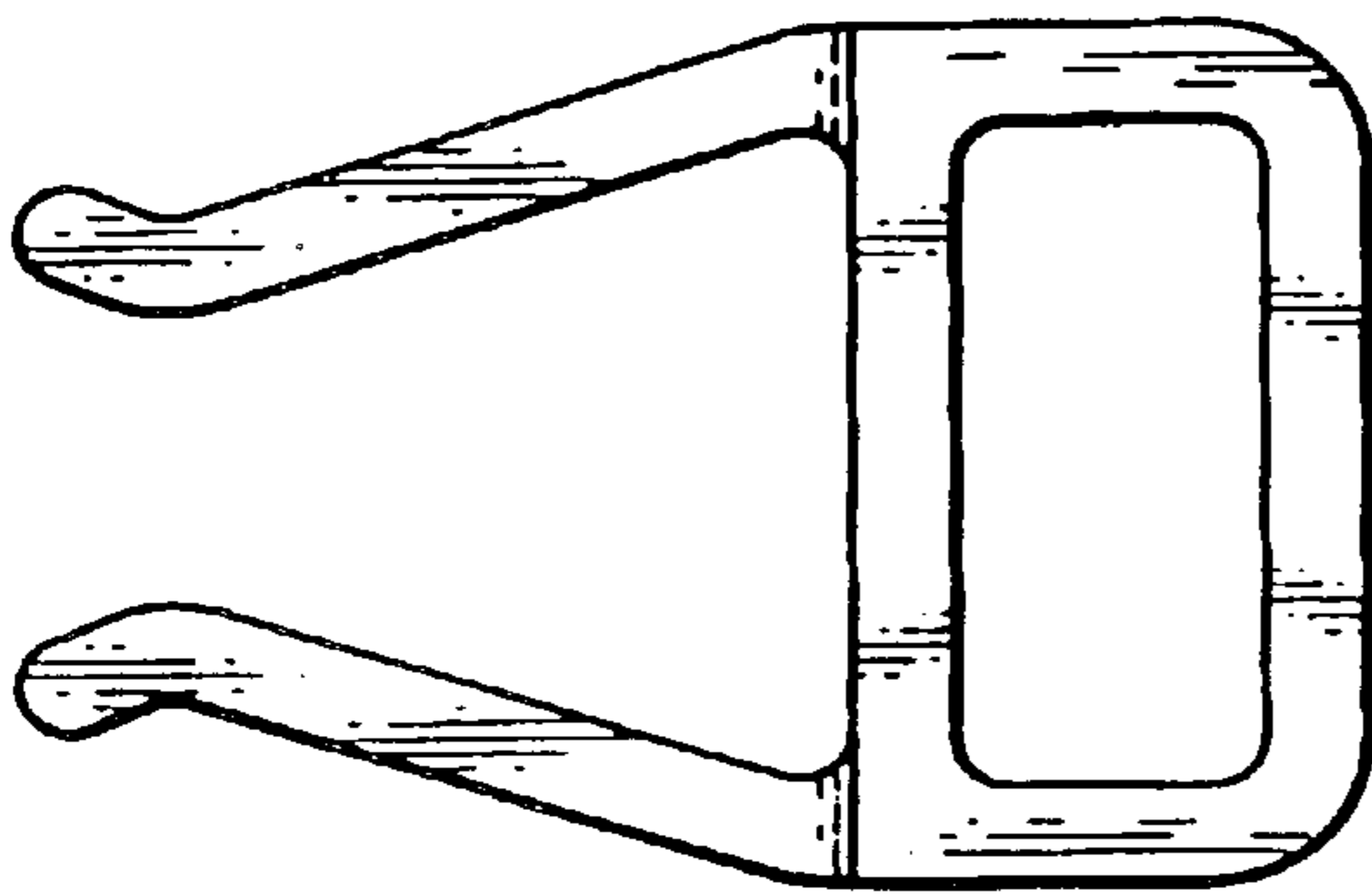


Fig. 7

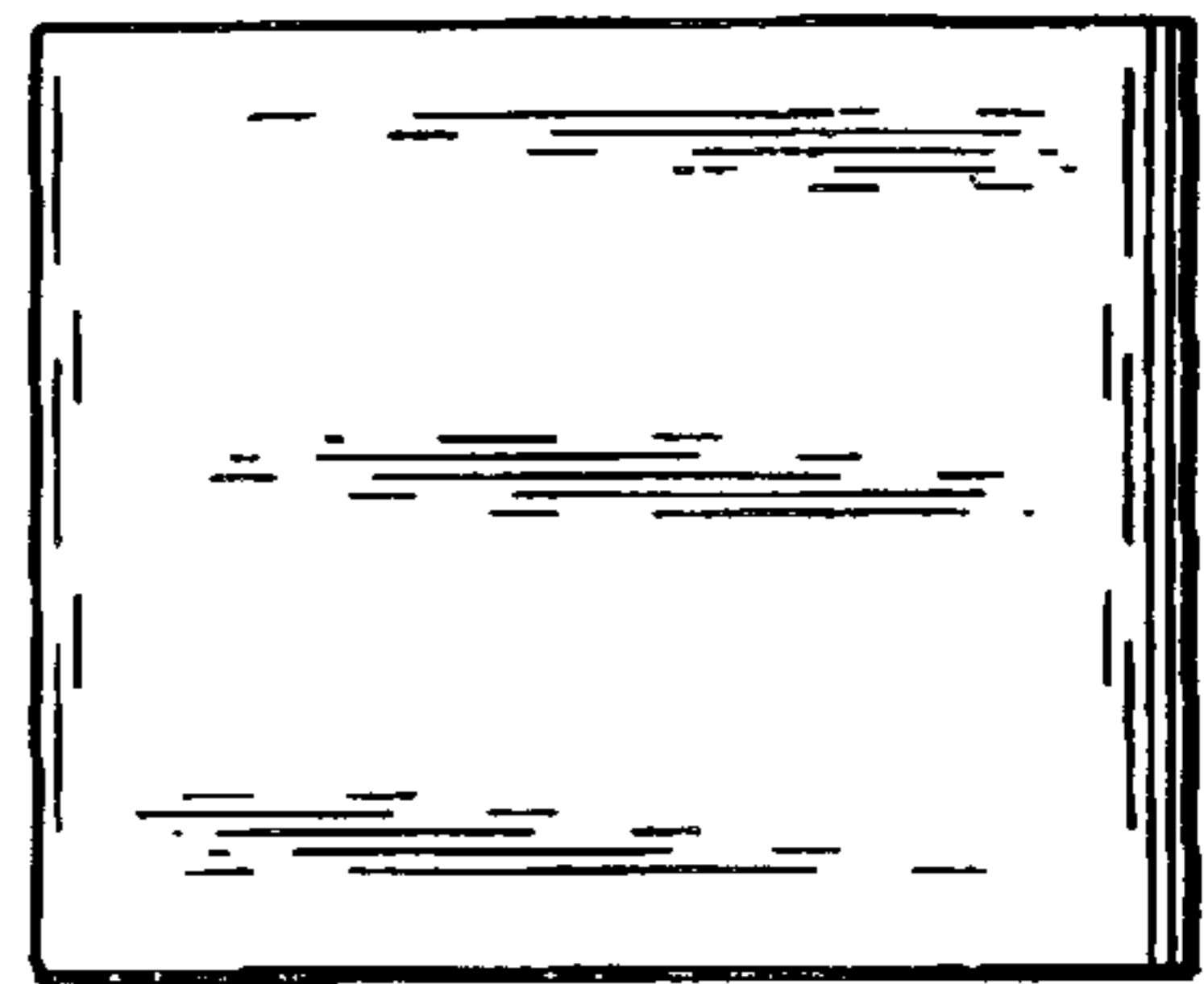


Fig. 8

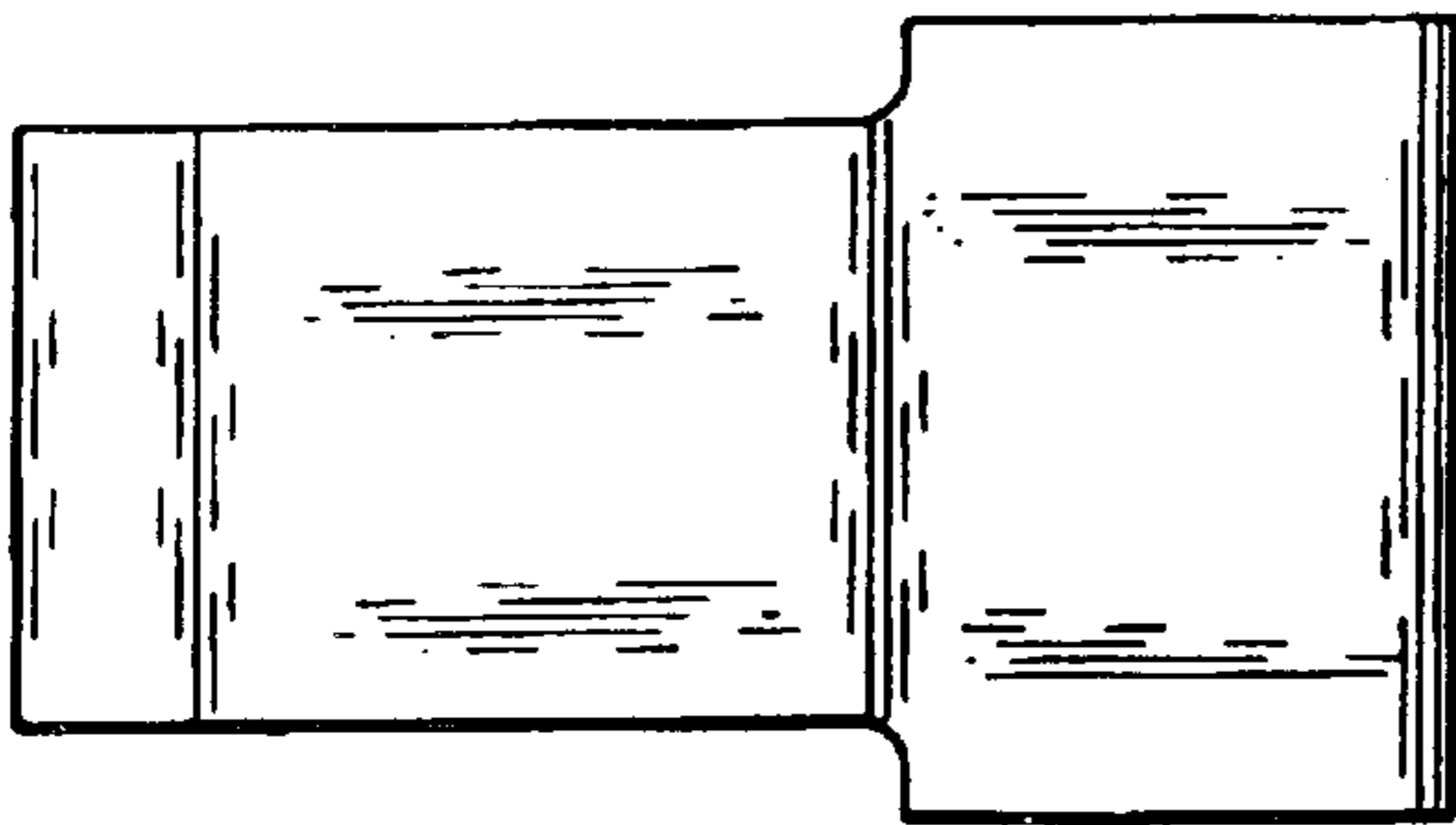


Fig. 9

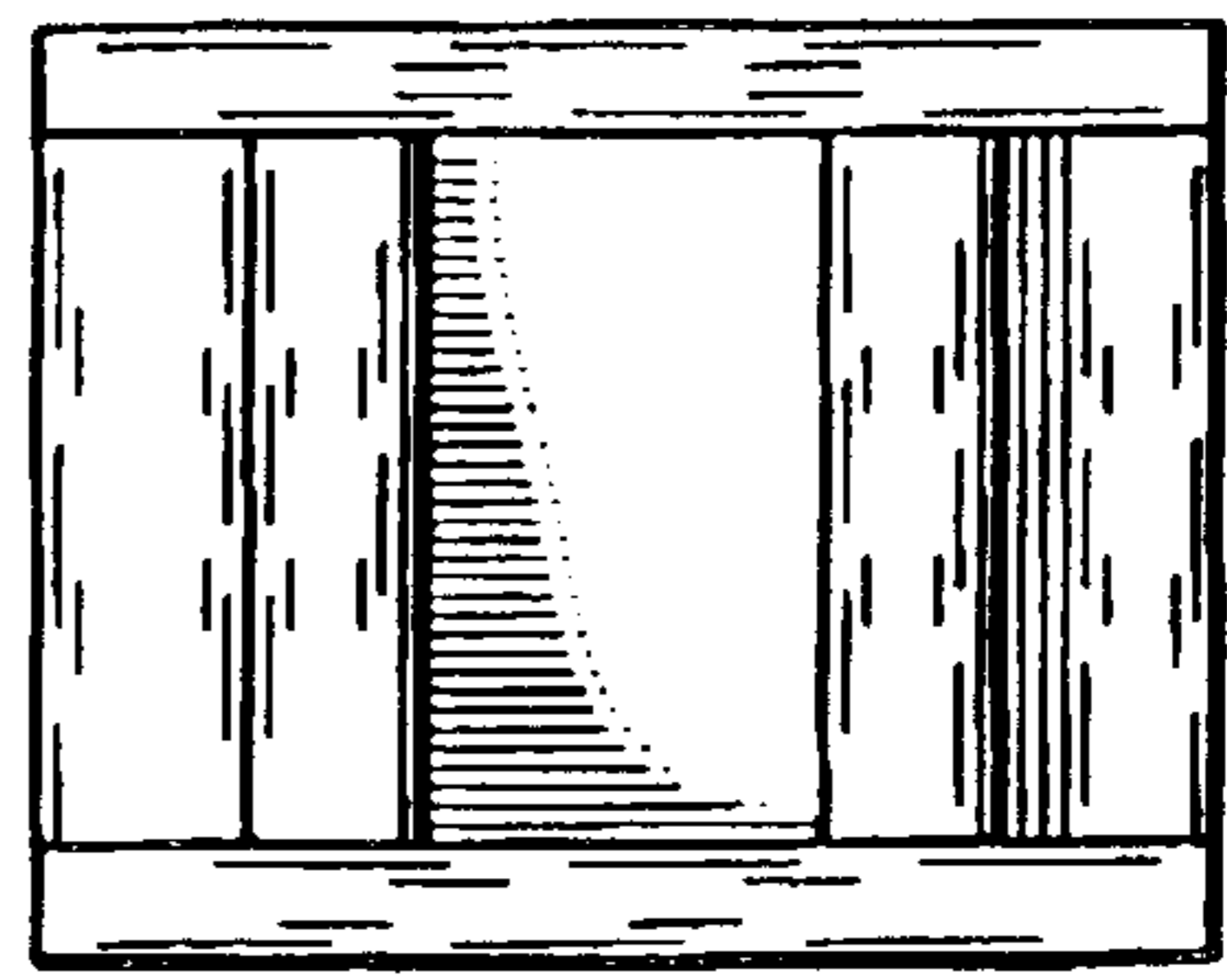


Fig. 10

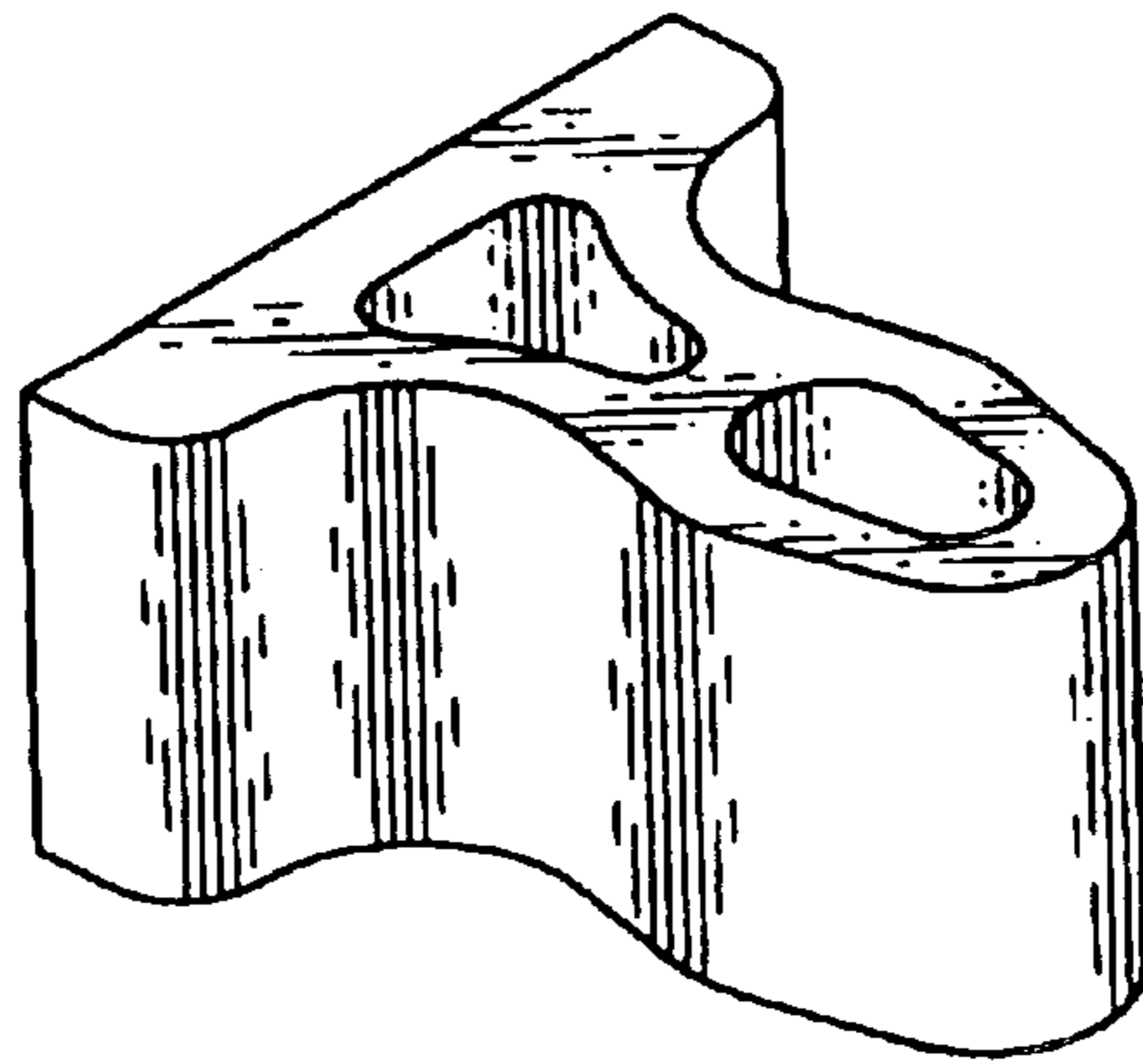


Fig. 11

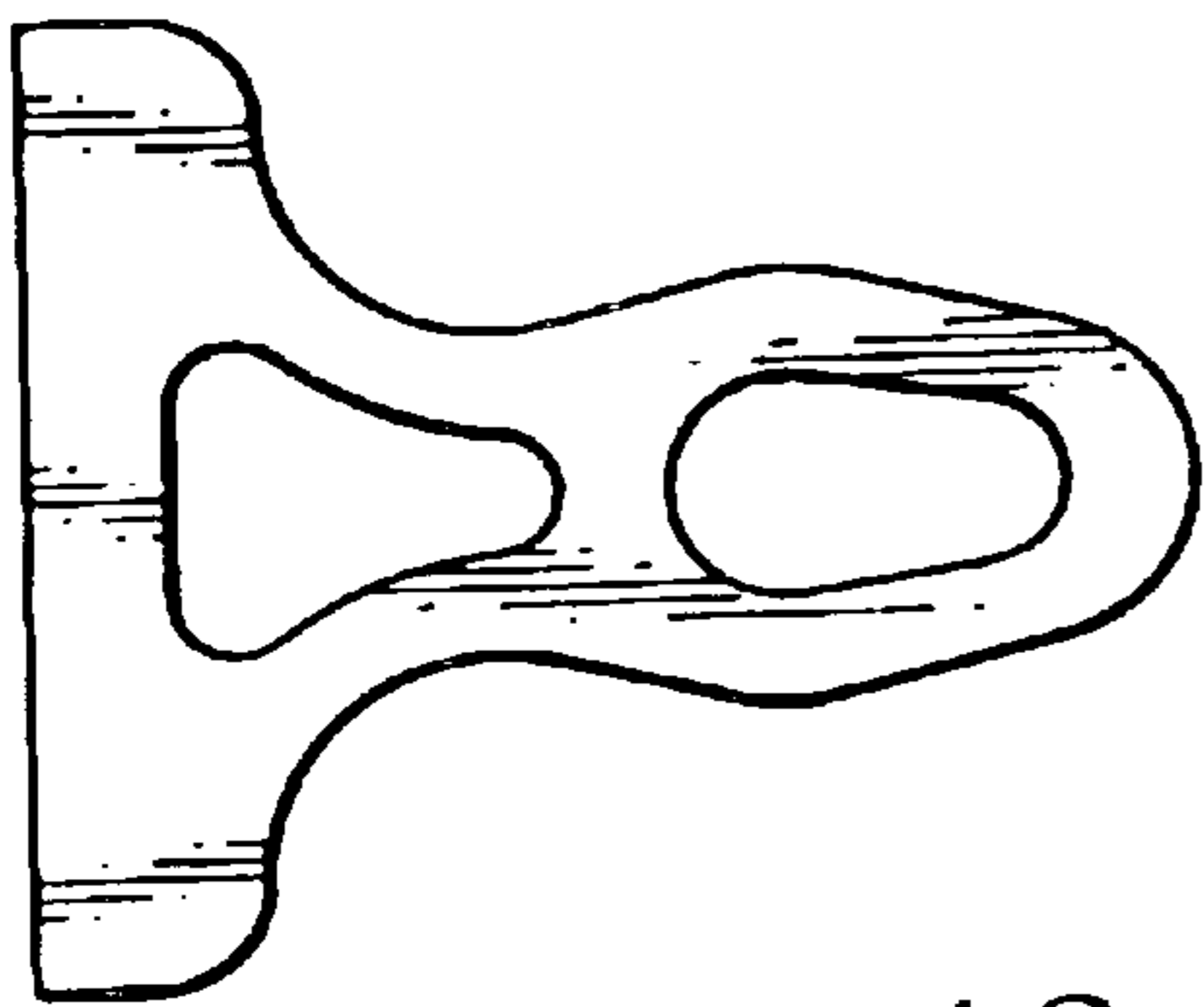


Fig. 12

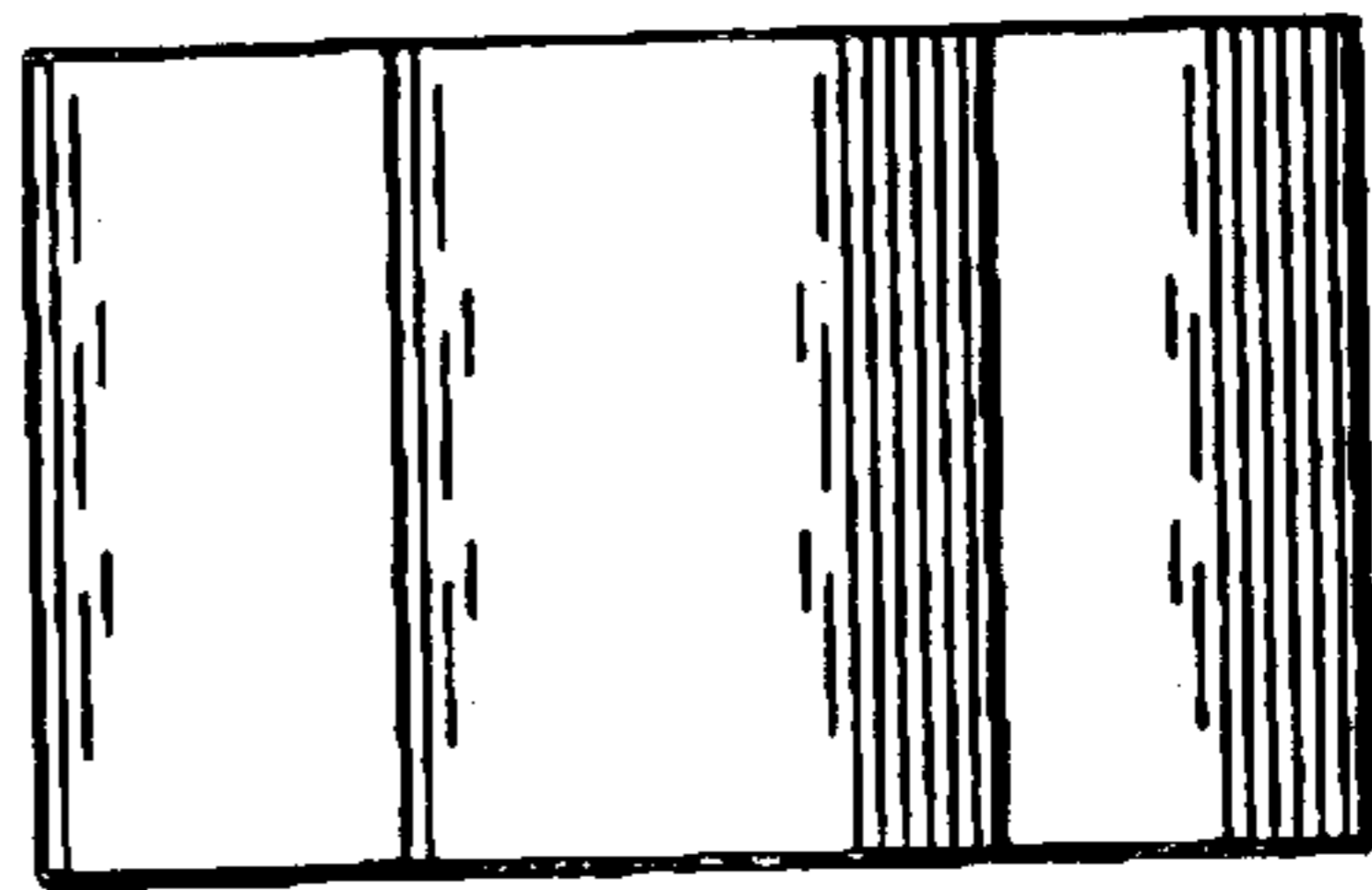


Fig. 13

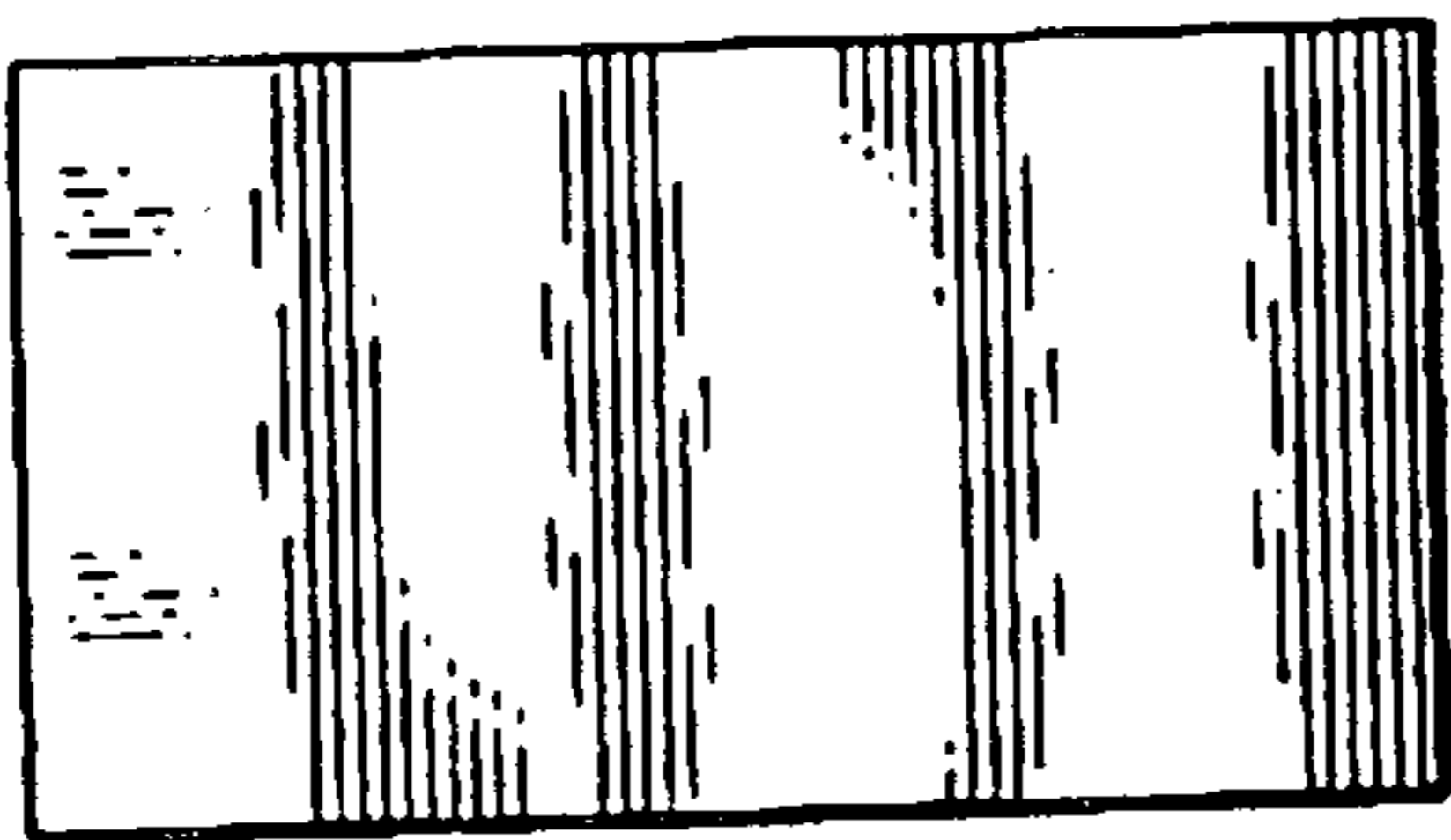


Fig. 14

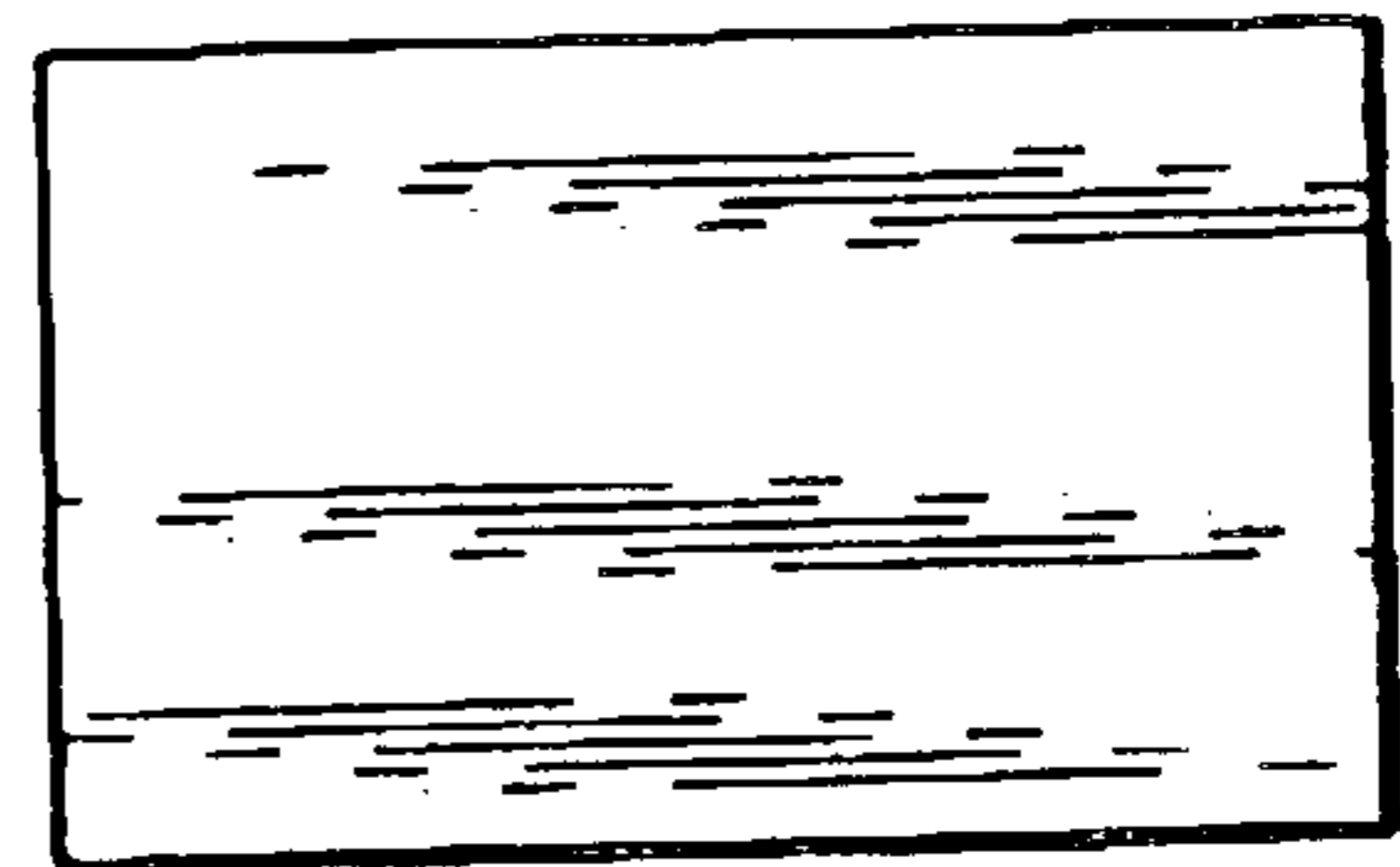


Fig. 15