



US00D419417S

United States Patent [19] Kane

[11] **Patent Number: Des. 419,417**
[45] **Date of Patent: ** Jan. 25, 2000**

[54] **COMPACT DISC CASE WRAPPER OPENER**

[76] Inventor: **Charles Lance Kane**, 607 Gay Ann Dr., Valrico, Fla. 33594

[**] Term: **14 Years**

[21] Appl. No.: **29/087,135**

[22] Filed: **Apr. 27, 1998**

[51] **LOC (7) Cl. 08-03**

[52] **U.S. Cl. D8/98**

[58] **Field of Search D8/98, 99, 14, D8/395; 30/287, 2, 294, 299, 289, 310; 24/545, 339**

[56] **References Cited**

U.S. PATENT DOCUMENTS

D. 255,981	7/1980	Carbo	D8/98
D. 366,407	1/1996	Kendall et al.	D8/98
D. 370,164	5/1996	McCracken	D8/98
3,600,764	8/1971	Froehlich, Jr.	24/545
3,791,014	2/1974	Perna	30/294
4,001,934	1/1977	Bell	30/124

4,711,031	12/1987	Annello	30/294
5,007,171	4/1991	Horning, Jr.	30/294
5,127,161	7/1992	Ikeda	30/294
5,666,731	9/1997	Rungren	30/287

Primary Examiner—Philip S. Hyder
Attorney, Agent, or Firm—Larson & Larson, P.A.; James E. Larson

[57] **CLAIM**

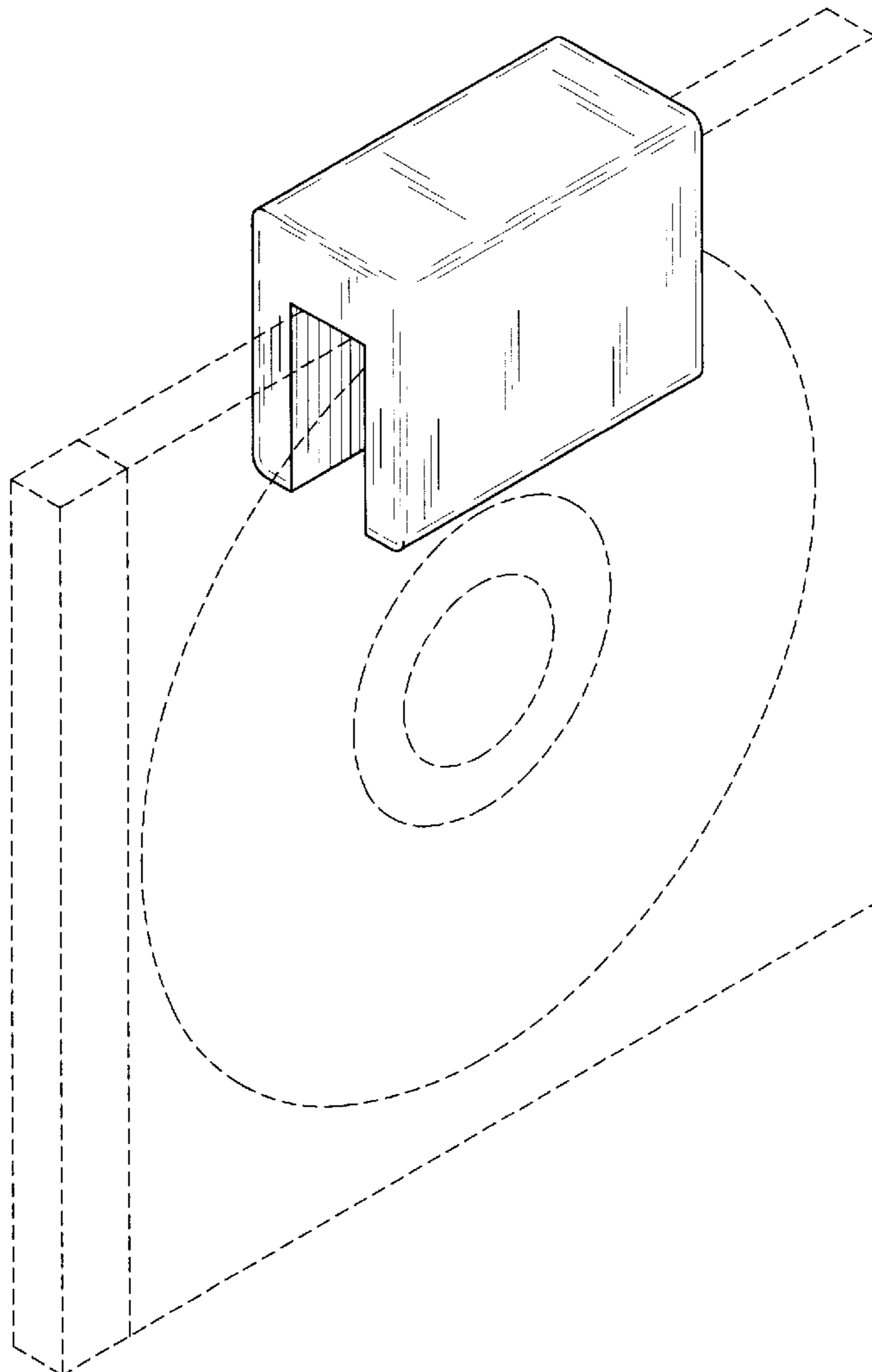
The ornamental design for a compact disc case wrapper opener, as shown and described.

DESCRIPTION

FIG. 1 is a perspective view of a compact disc case wrapper opener, showing my new design; FIG. 2 is a side elevational view thereof; FIG. 3 is a top plan view thereof; FIG. 4 is a bottom plan view thereof; and, FIG. 5 is a front view thereof.

The broken line showing of compact disc and compact disc case in FIG. 1 is for illustrative purposes only and forms no part of the claimed design.

1 Claim, 1 Drawing Sheet



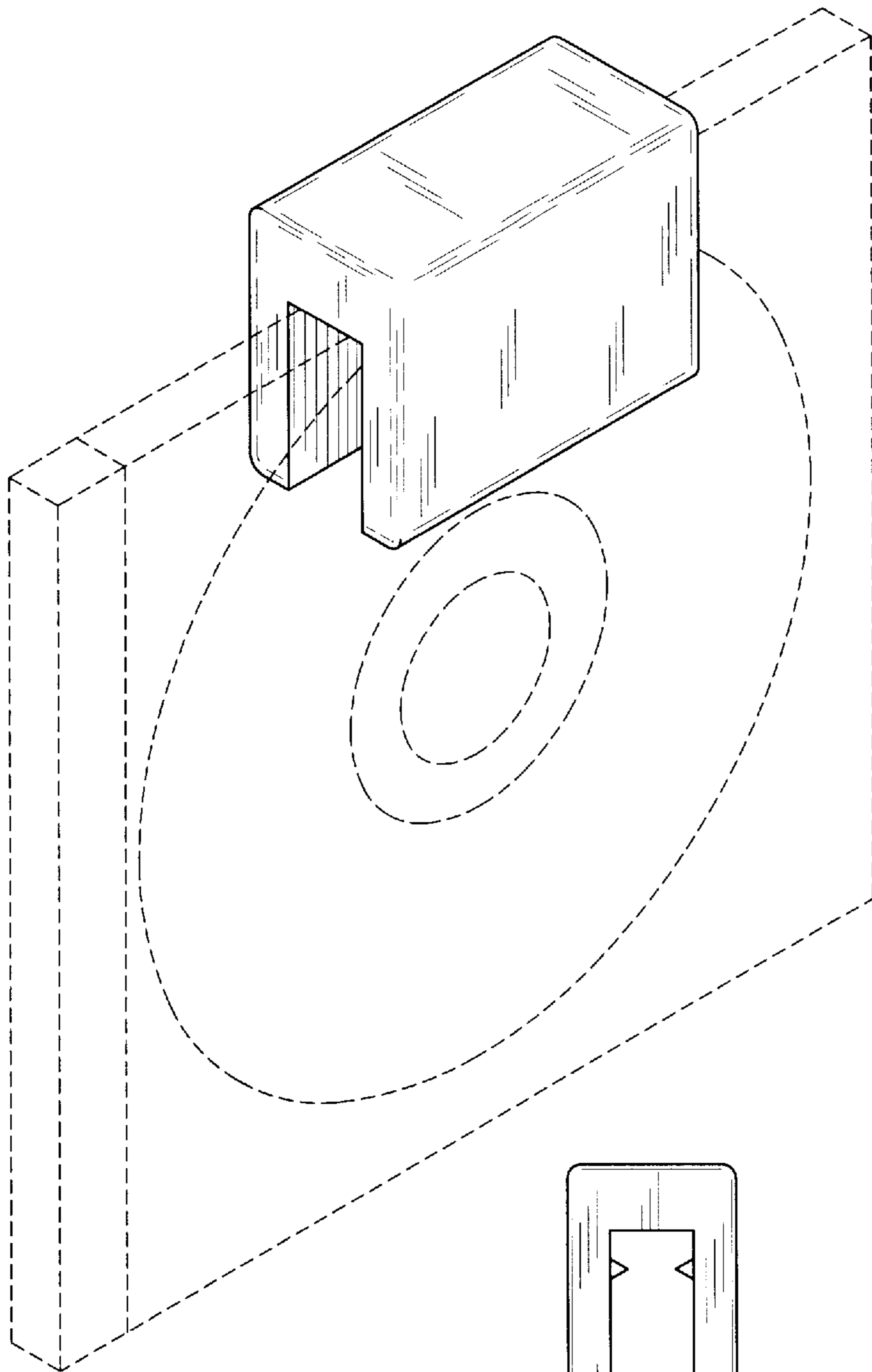


FIG. 1

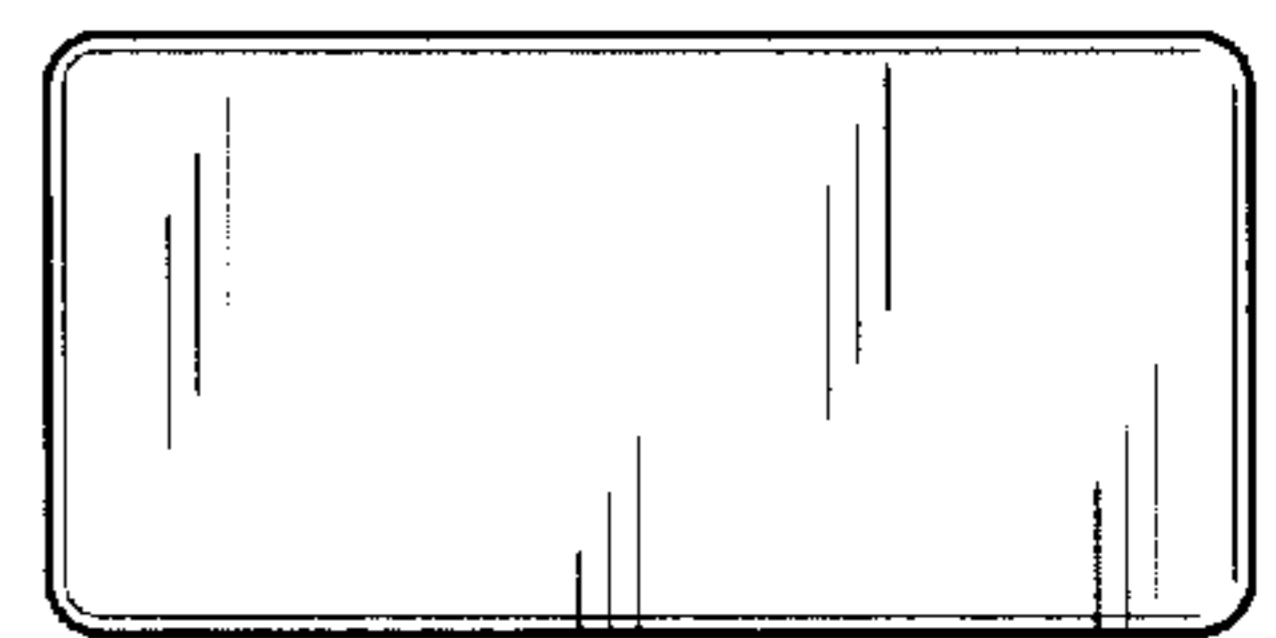


FIG. 3

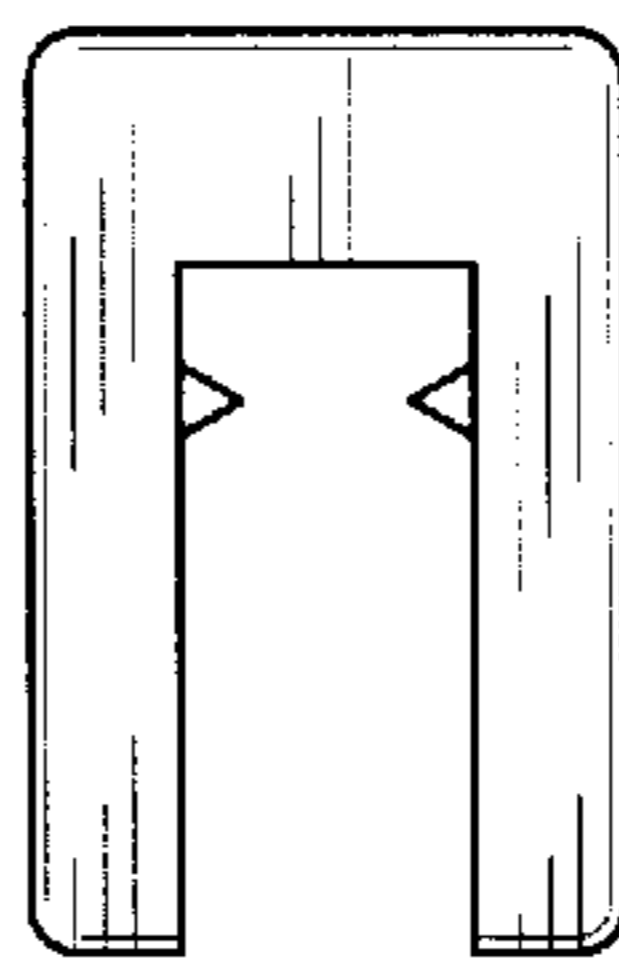


FIG. 5

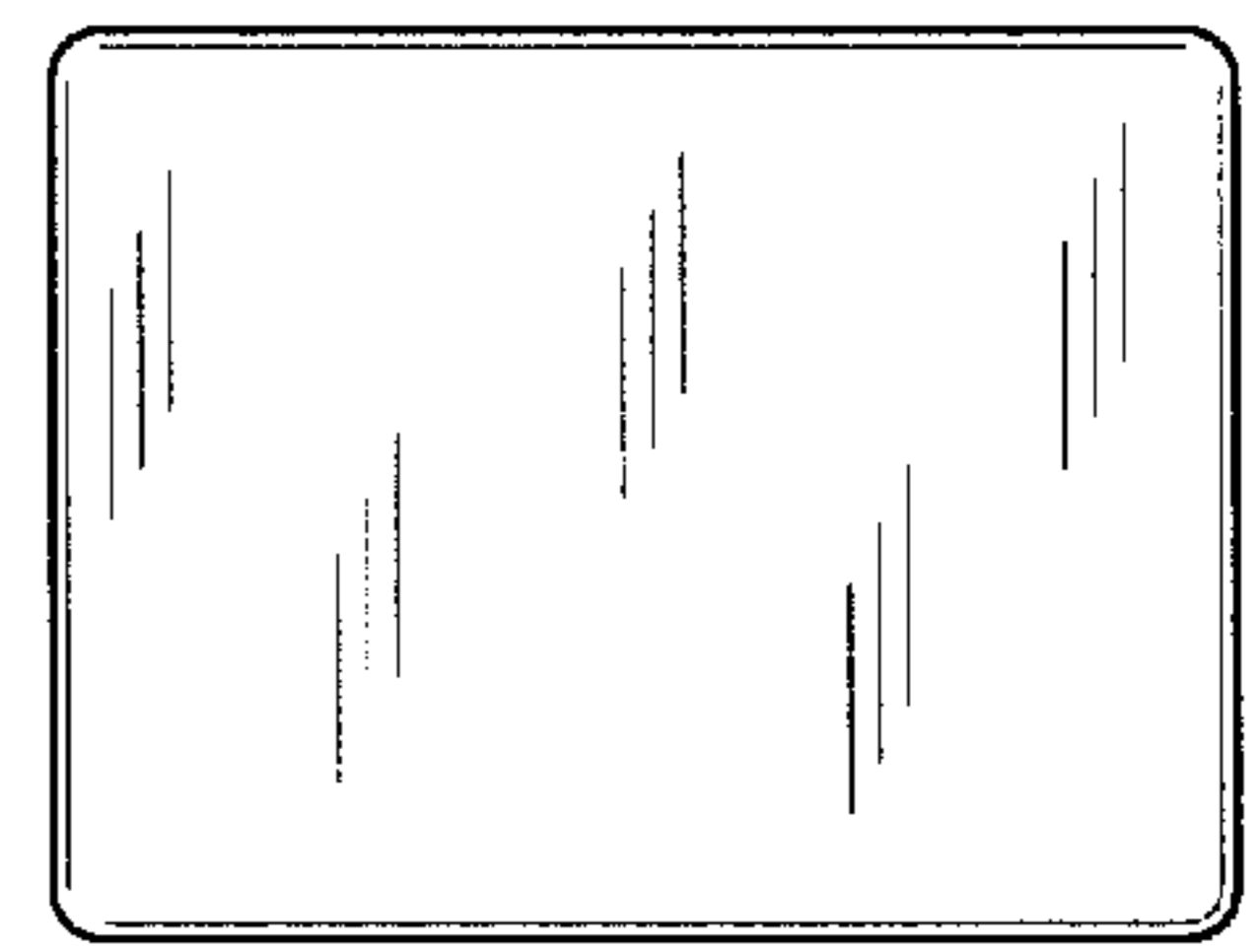


FIG. 2

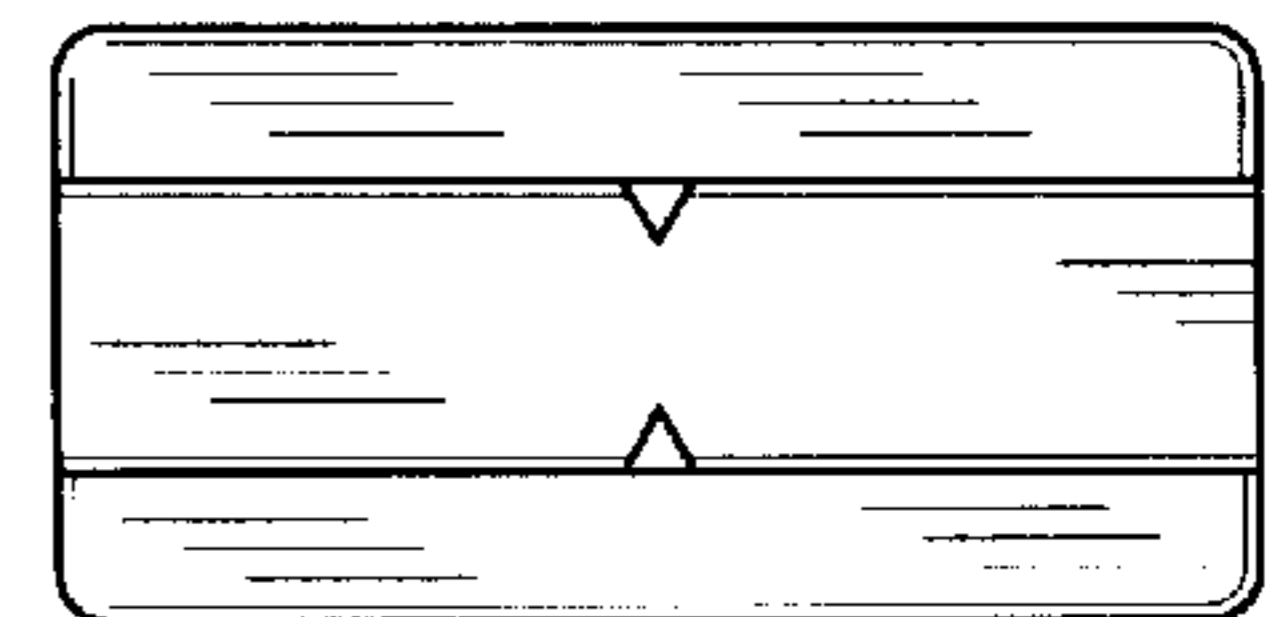


FIG. 4