



US00D419415S

United States Patent [19] Richter

[11] **Patent Number: Des. 419,415**

[45] **Date of Patent: ** Jan. 25, 2000**

[54] **MOUNTING CLAMP WITH SUPPORT NECK**

[76] Inventor: **Herbert Richter**, Drosselweg 8, 75331 Engelbrand, Germany

[**] Term: **14 Years**

[21] Appl. No.: **29/098,671**

[22] Filed: **Jan. 4, 1999**

[51] **LOC (7) Cl. 14-03**

[52] **U.S. Cl. D8/71; D14/251; D14/253**

[58] **Field of Search D8/71; D12/416; D14/251, 253; D16/242; 379/446, 449, 454, 455; 224/929**

[56] **References Cited**

U.S. PATENT DOCUMENTS

D. 309,307	7/1990	Sigurdson	D14/251
D. 337,333	7/1993	Turk	D14/251
D. 363,492	10/1995	Brussing	D14/251
D. 391,265	2/1998	Richter	D14/253
D. 394,669	5/1998	Becker et al.	D16/242
2,519,746	8/1950	Hart et al.	379/455
2,784,261	3/1957	Anklesaria	379/455
4,842,174	6/1989	Sheppard et al.	379/454
5,187,744	2/1993	Richter	379/449
5,392,350	2/1995	Swanson	379/446

5,568,549 10/1996 Wang 379/446
5,799,914 9/1998 Chivallier et al. 224/929

Primary Examiner—Philip S. Hyder
Attorney, Agent, or Firm—Klaus J. Bach

[57] **CLAIM**

The ornamental design for a mounting clamp with support neck, as shown and described.

DESCRIPTION

FIG. 1 is a perspective view of the mounting clamp with support neck;

FIG. 2 is a top view of the mounting clamp with support neck shown in FIG. 1;

FIG. 3 is a side view of the mounting clamp with support neck shown in FIG. 2, the opposite side being substantially a mirror image thereof, except that the line to the right of the circular features on the clamp would not be seen;

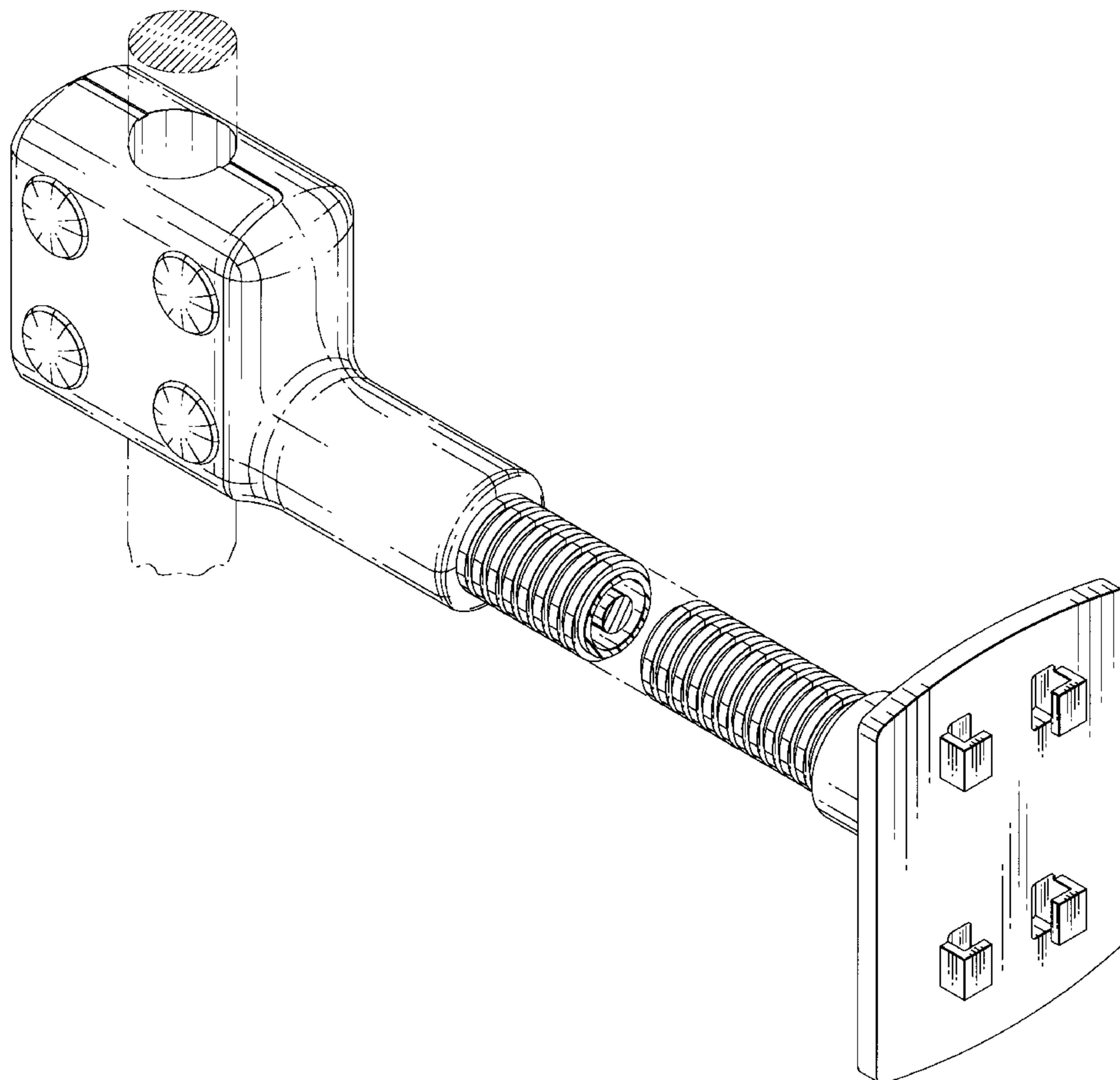
FIG. 4 is a bottom view of the mounting clamp with support neck shown in FIG. 1;

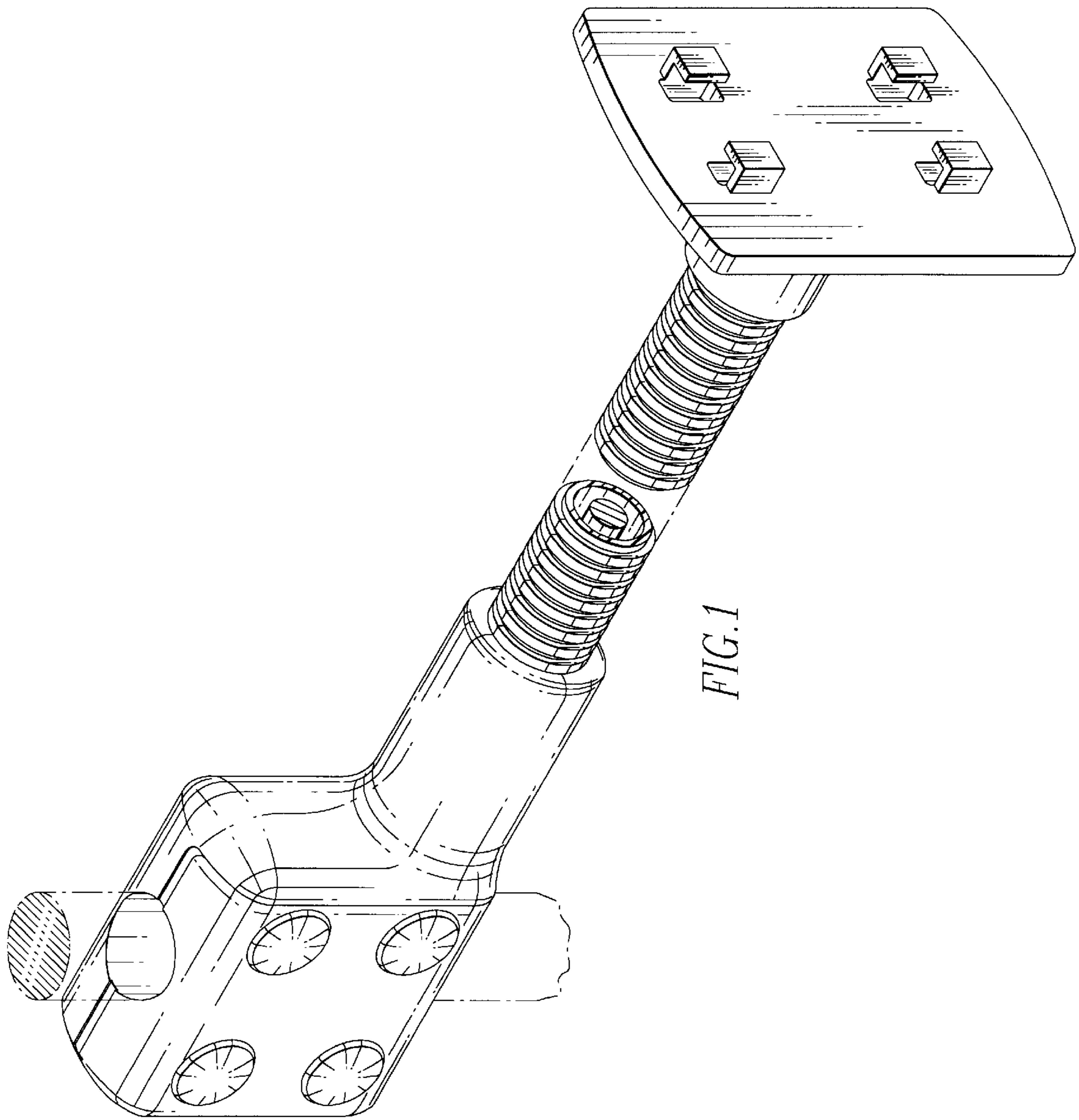
FIG. 5 is a right end view of the mounting clamp with support neck shown in FIG. 1; and,

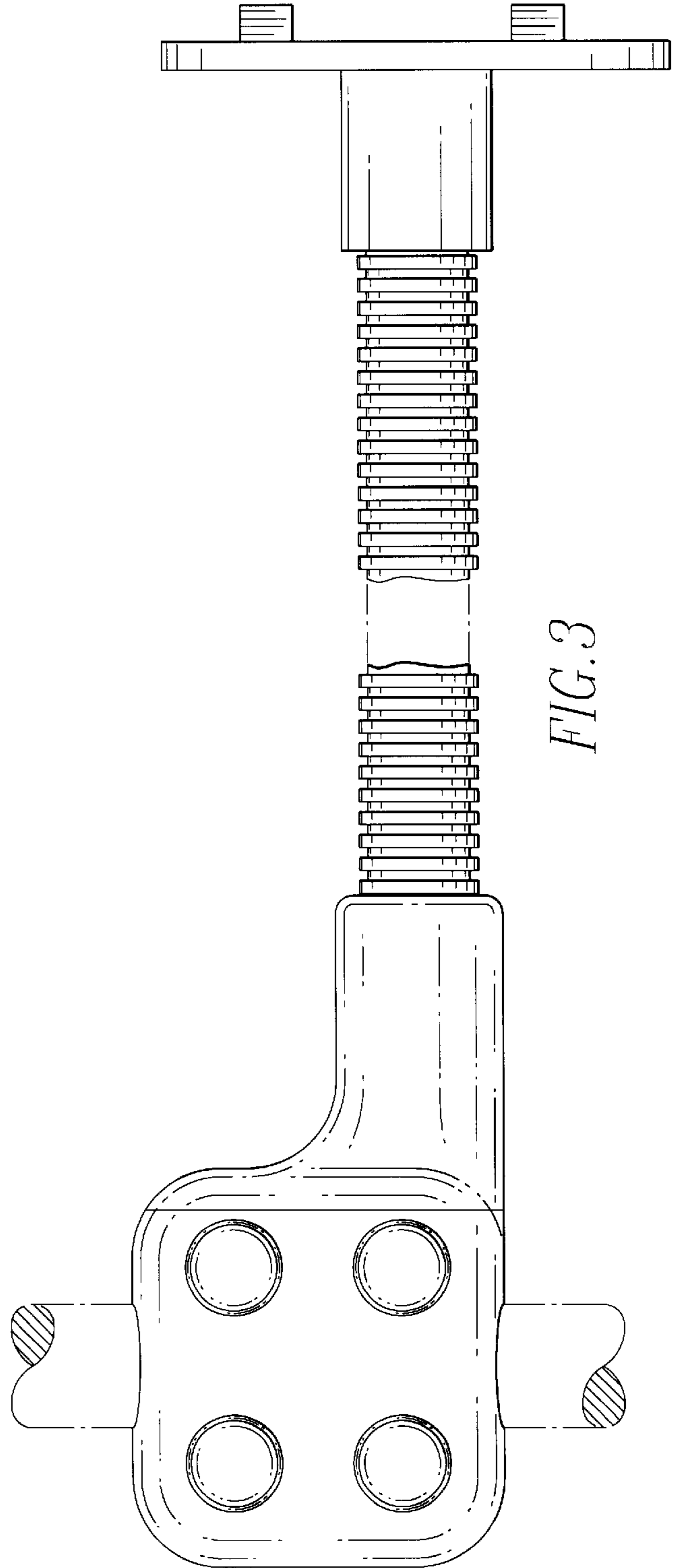
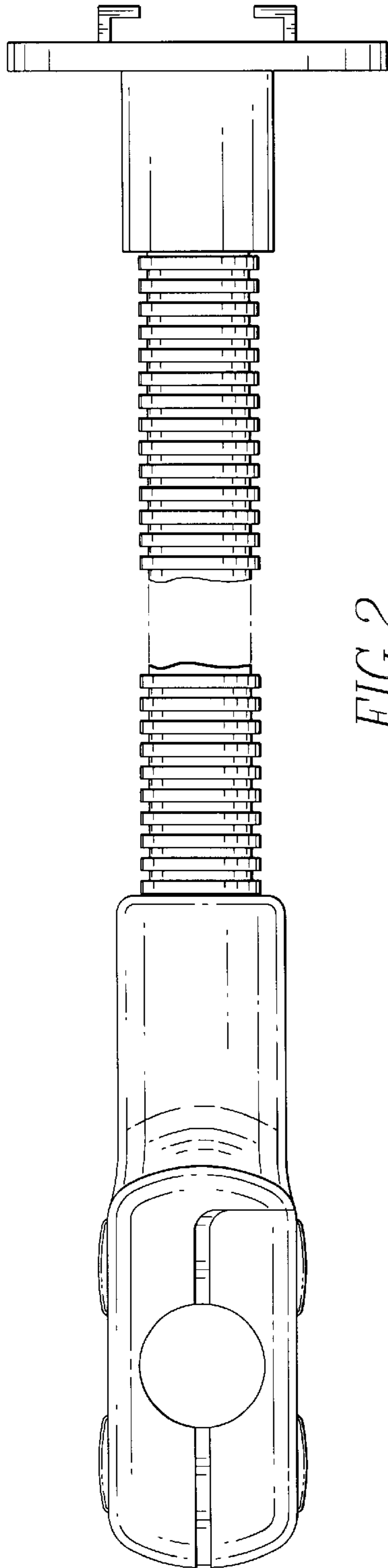
FIG. 6 is a left end view of the mounting clamp with support neck shown in FIG. 1.

The broken line portions of the disclosure are for illustrative purposes only and form no part of the claimed design.

1 Claim, 4 Drawing Sheets







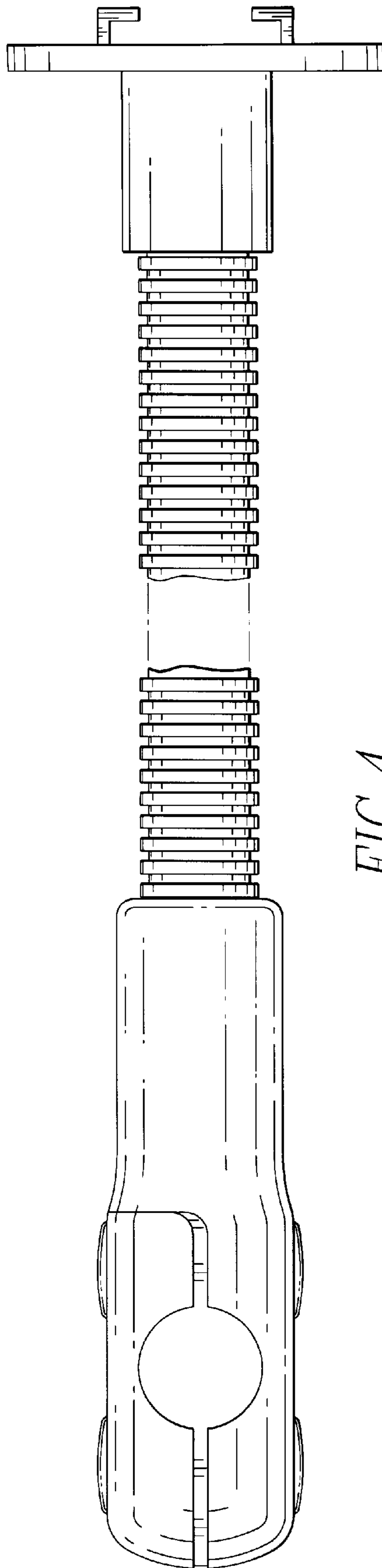


FIG. 4

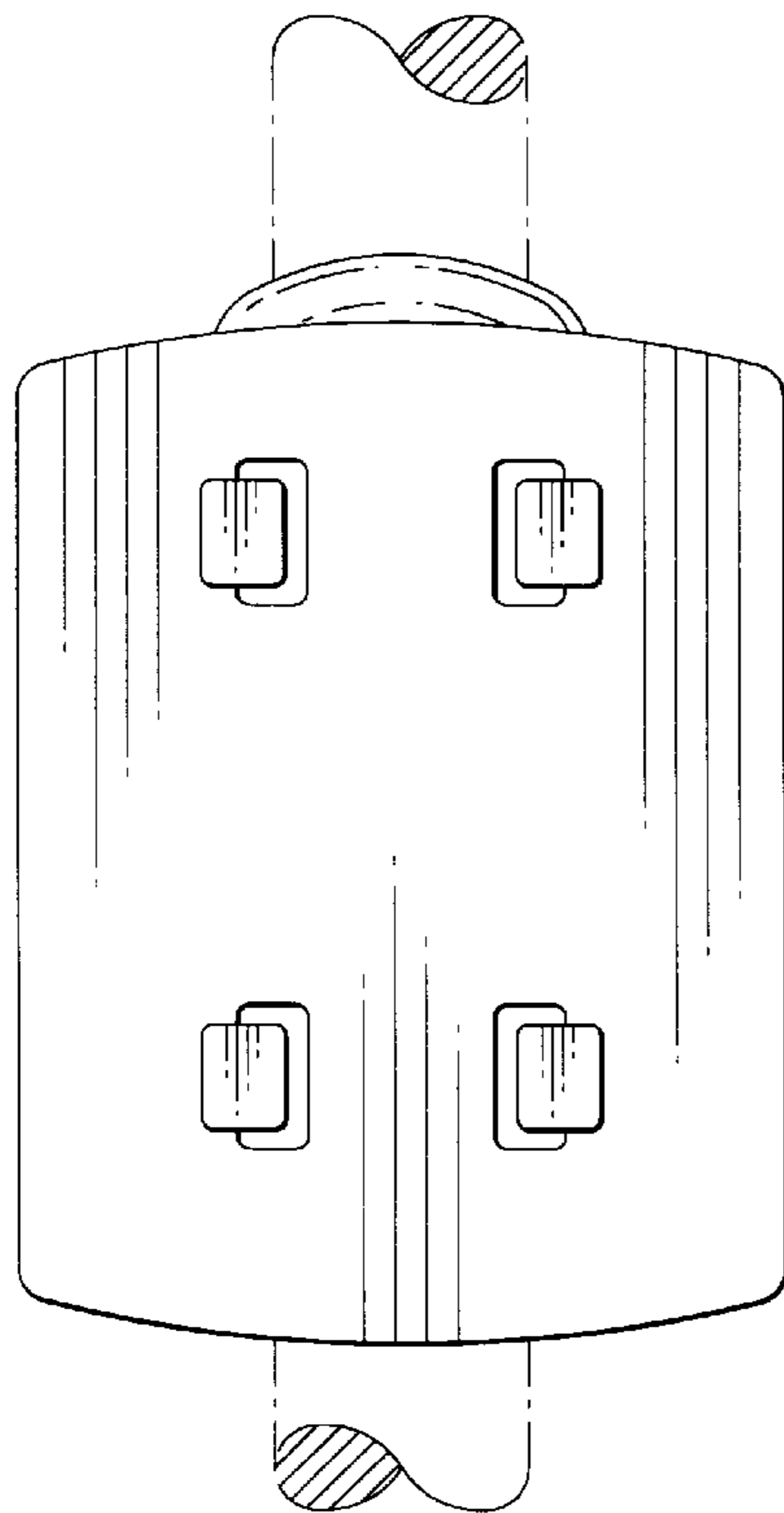


FIG. 5

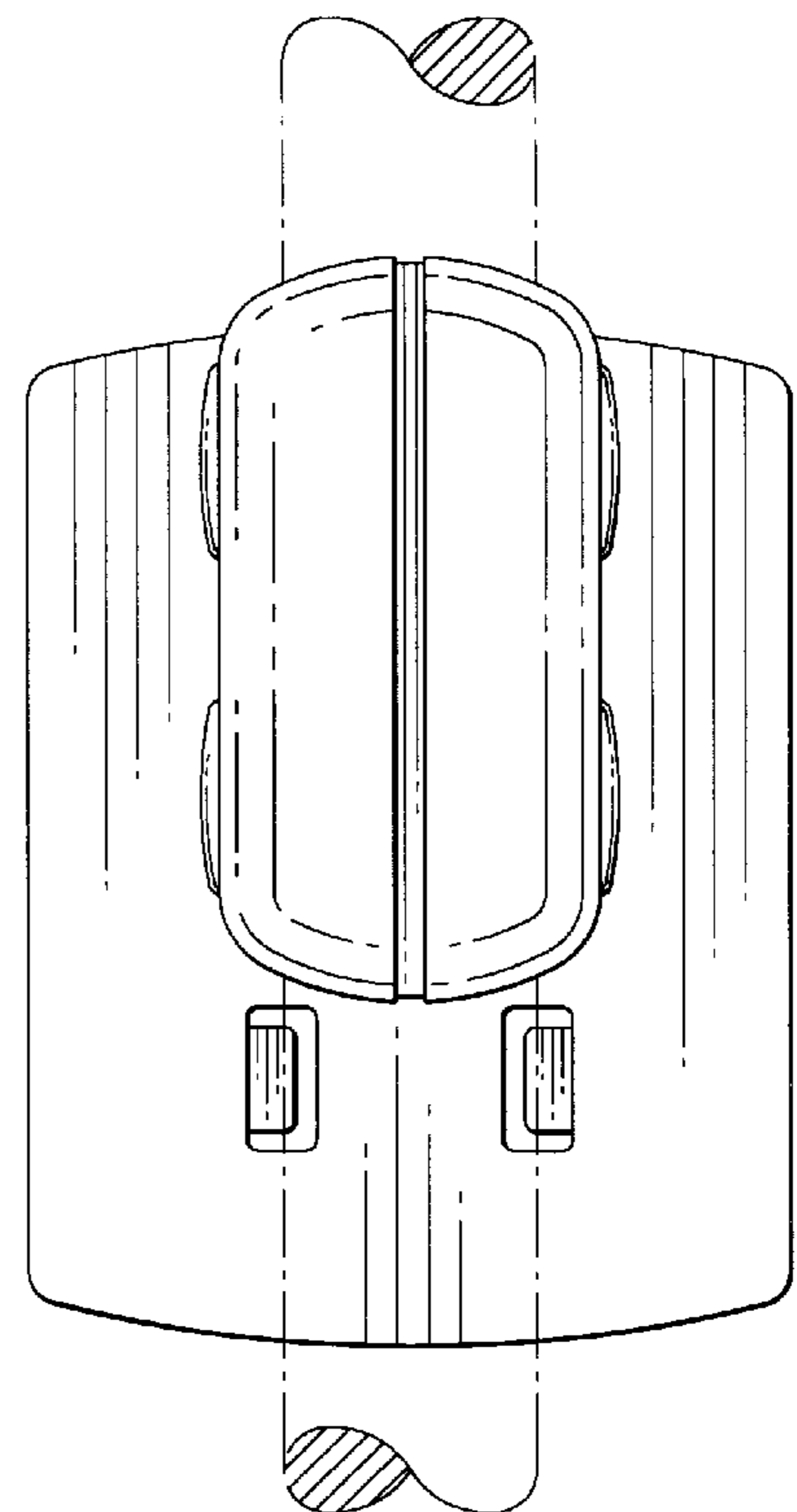


FIG. 6