



US00D419413S

# United States Patent [19] Heun

[11] **Patent Number: Des. 419,413**  
[45] **Date of Patent: \*\* Jan. 25, 2000**

[54] **ELECTRIC DRILL**

[75] **Inventor: Ping Hay Heun**, Aberdeen, The Hong Kong Special Administrative Region of the People's Republic of China

[73] **Assignee: Choon Nang Electrical Appliance Mfty., Ltd.**, Aberdeen, The Hong Kong Special Administrative Region of the People's Republic of China

[\*\*] **Term: 14 Years**

[21] **Appl. No.: 29/101,590**

[22] **Filed: Mar. 8, 1999**

[30] **Foreign Application Priority Data**

Oct. 19, 1998 [GB] United Kingdom ..... 2078523

[51] **LOC (7) Cl. .... 08-05**

[52] **U.S. Cl. .... D8/68**

[58] **Field of Search .... D8/61, 67, 68; 81/55, 57, 57.11, 57.13, 57.14, 57.43, 177.1, 177.4, 177.6; 173/169-170**

[56] **References Cited**

**U.S. PATENT DOCUMENTS**

D. 339,727	9/1993	Kikuchi .....	D8/68
D. 386,662	11/1997	Tozawa et al. ....	D8/68
D. 402,872	12/1998	Clowers et al. ....	D8/68
D. 404,276	1/1999	Ghode et al. ....	D8/68

*Primary Examiner*—Nelson C. Holtje  
*Attorney, Agent, or Firm*—Leydig, Voit & Mayer, Ltd.

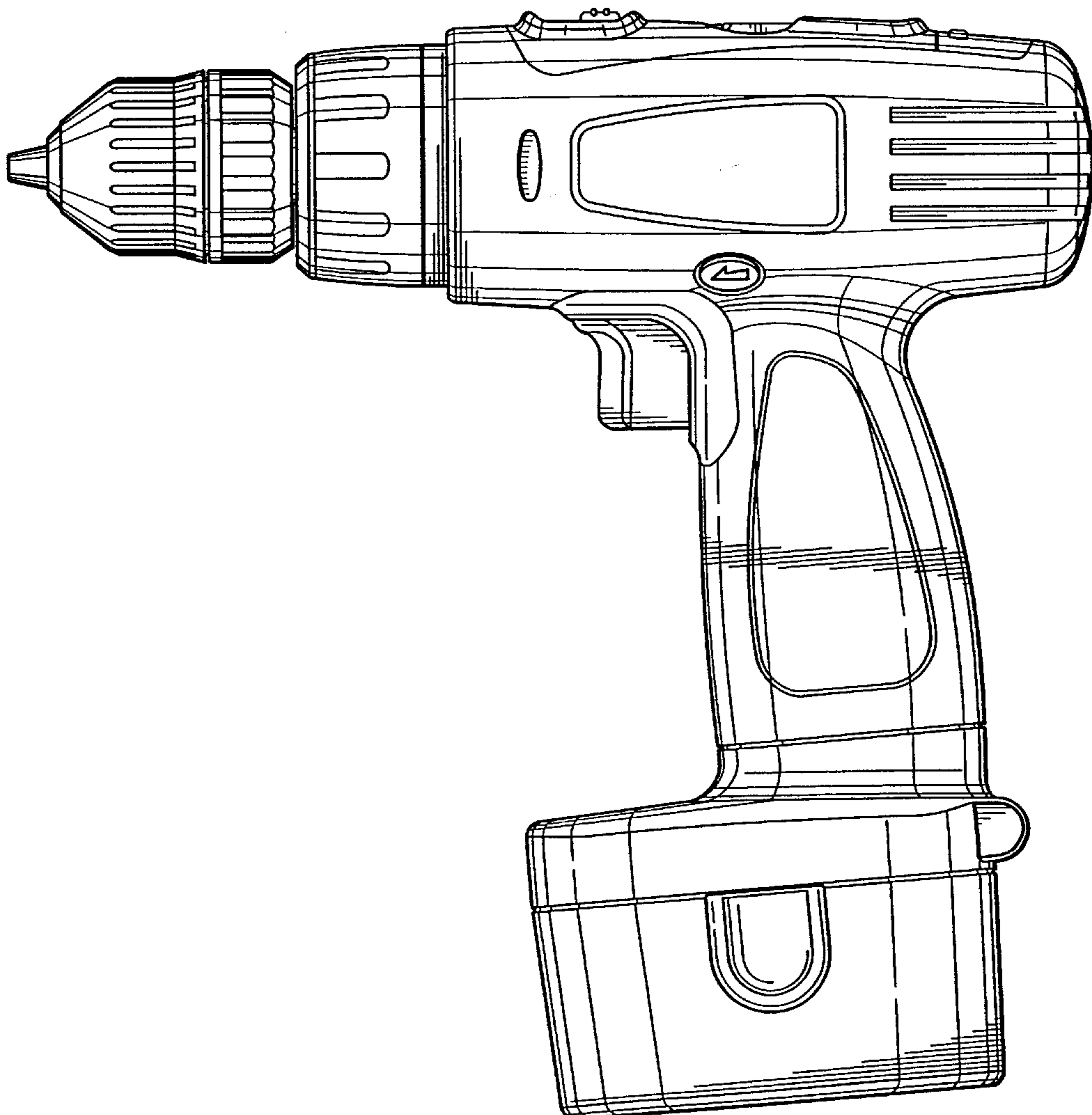
[57] **CLAIM**

The ornamental design for an electric drill, as shown and described.

**DESCRIPTION**

FIG. 1 is a left side elevational view of an electric drill showing my new design;  
FIG. 2 is a top plan view thereof;  
FIG. 3 is a right side elevational view thereof;  
FIG. 4 is a bottom plan view thereof;  
FIG. 5 is a front end elevational view thereof; and,  
FIG. 6 is a rear end elevational view thereof.

**1 Claim, 3 Drawing Sheets**



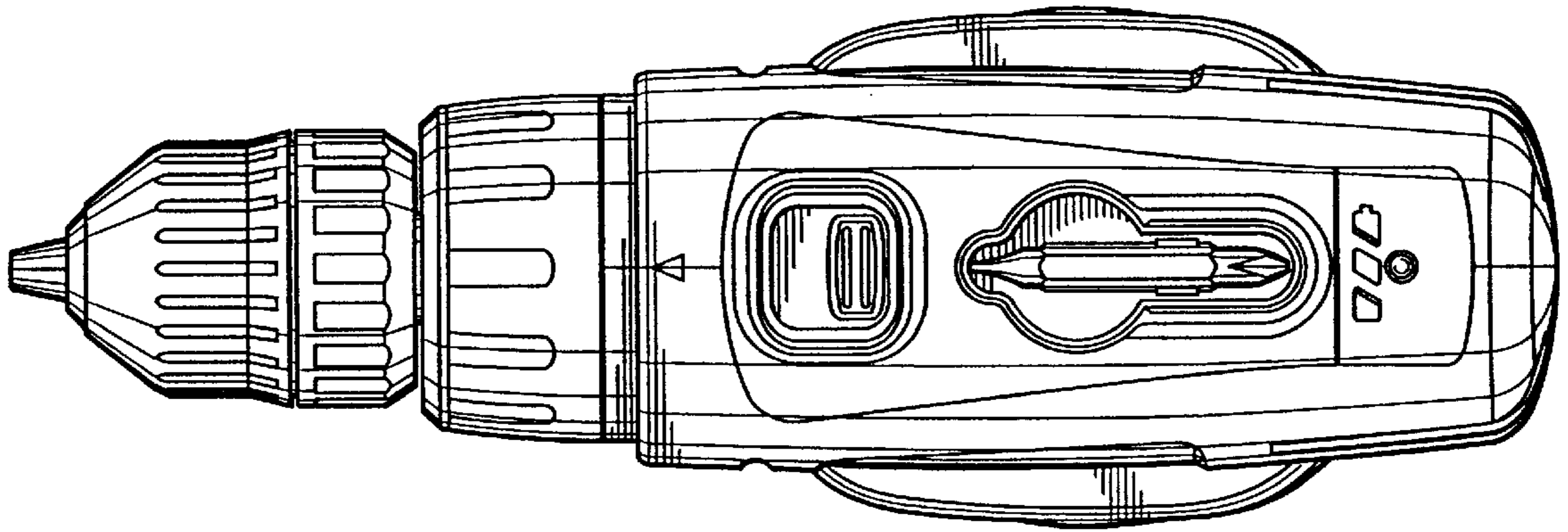


FIG. 2

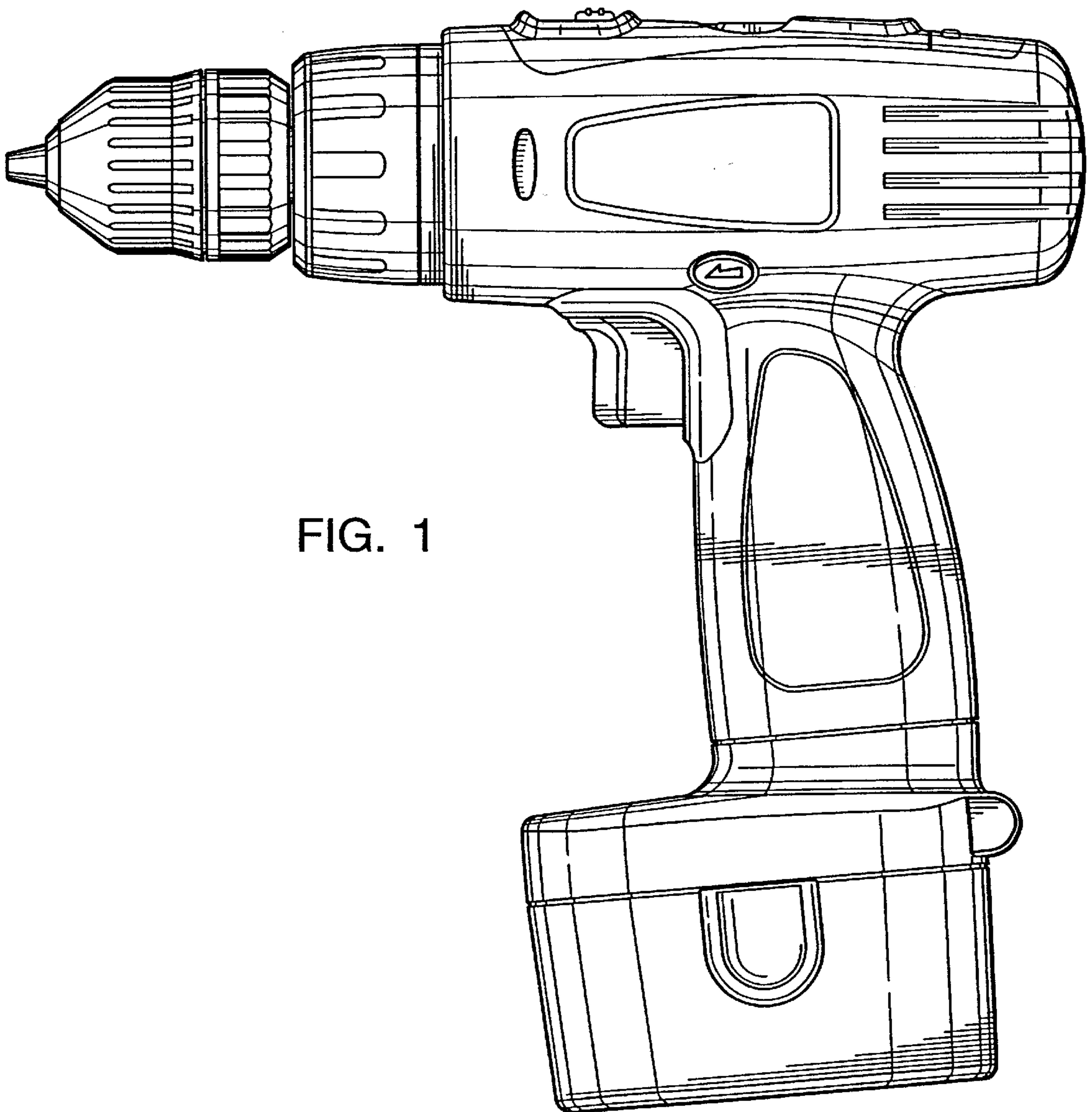


FIG. 1

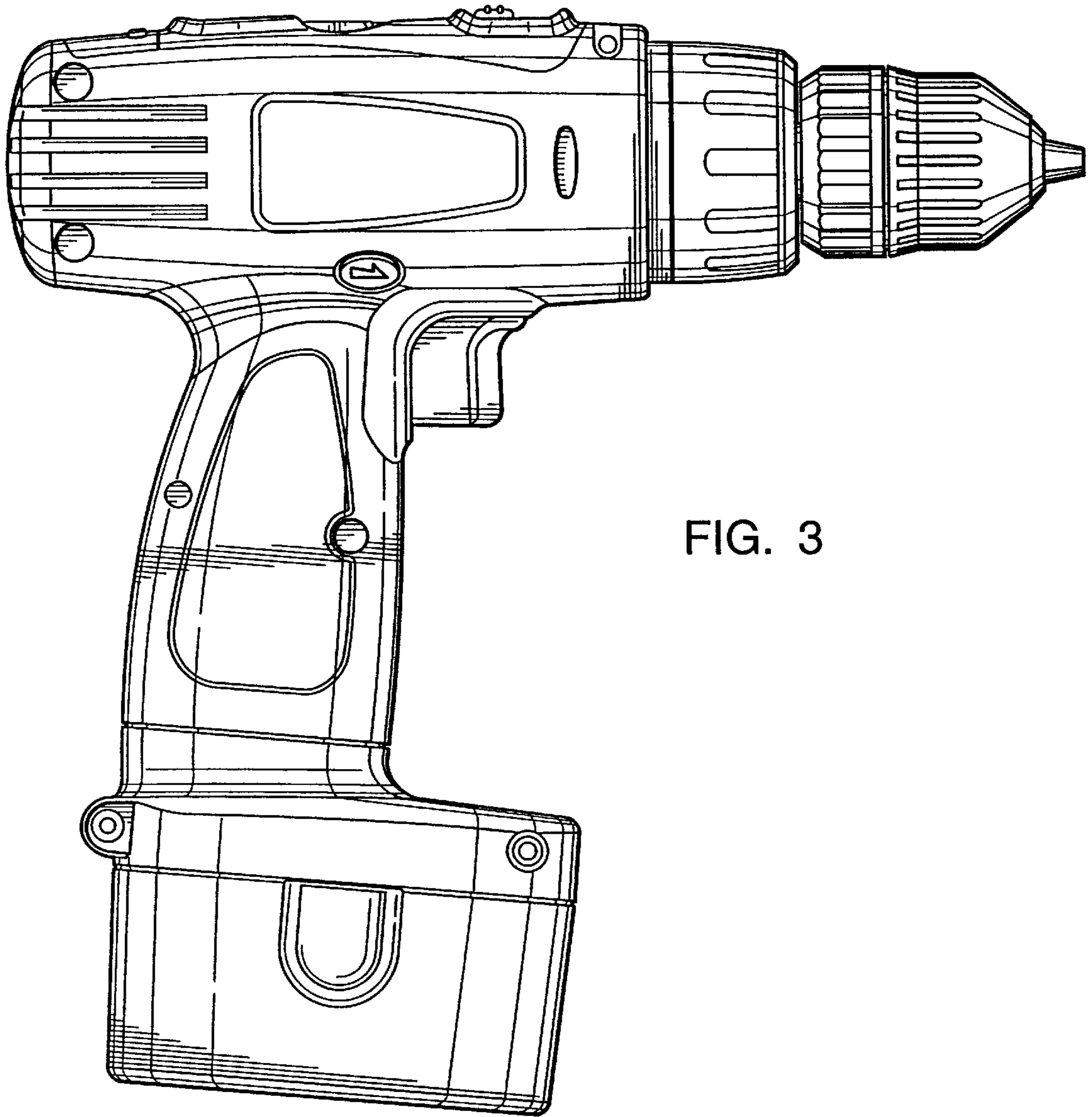


FIG. 3

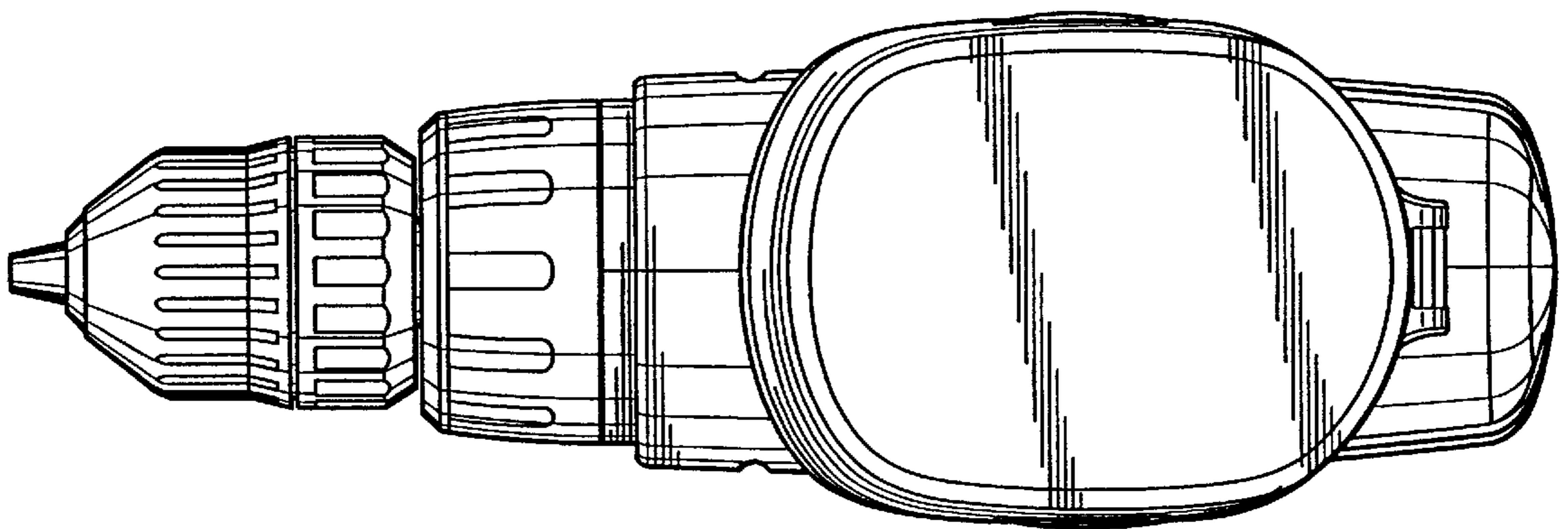


FIG. 4



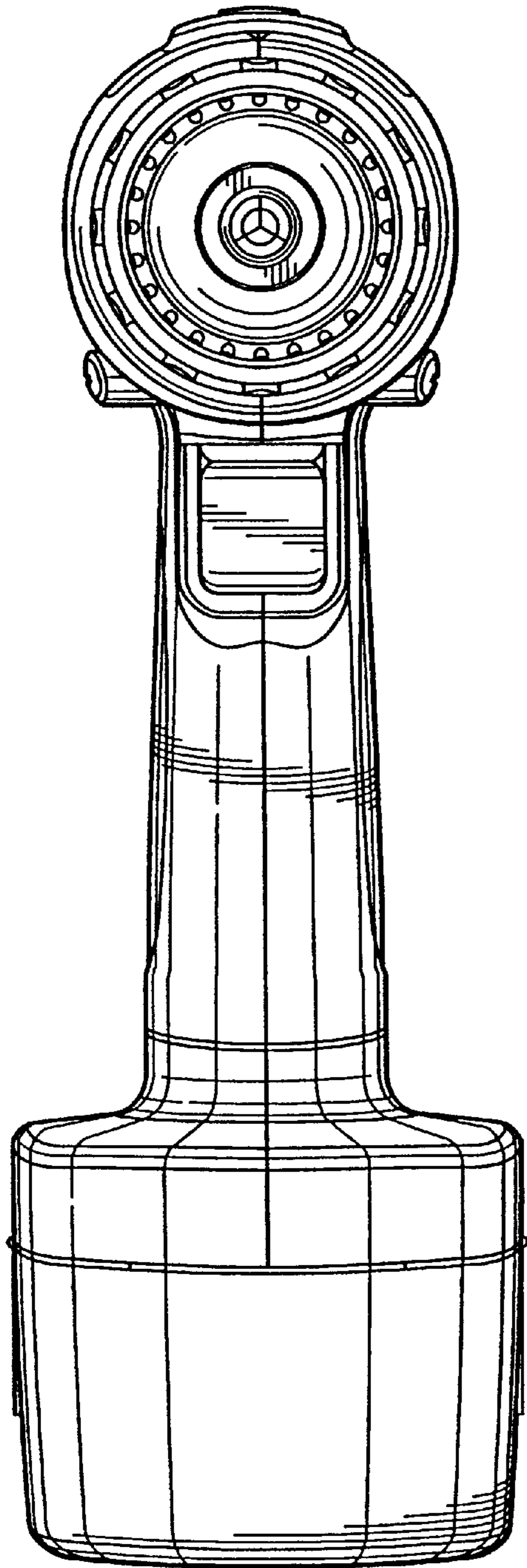


FIG. 5

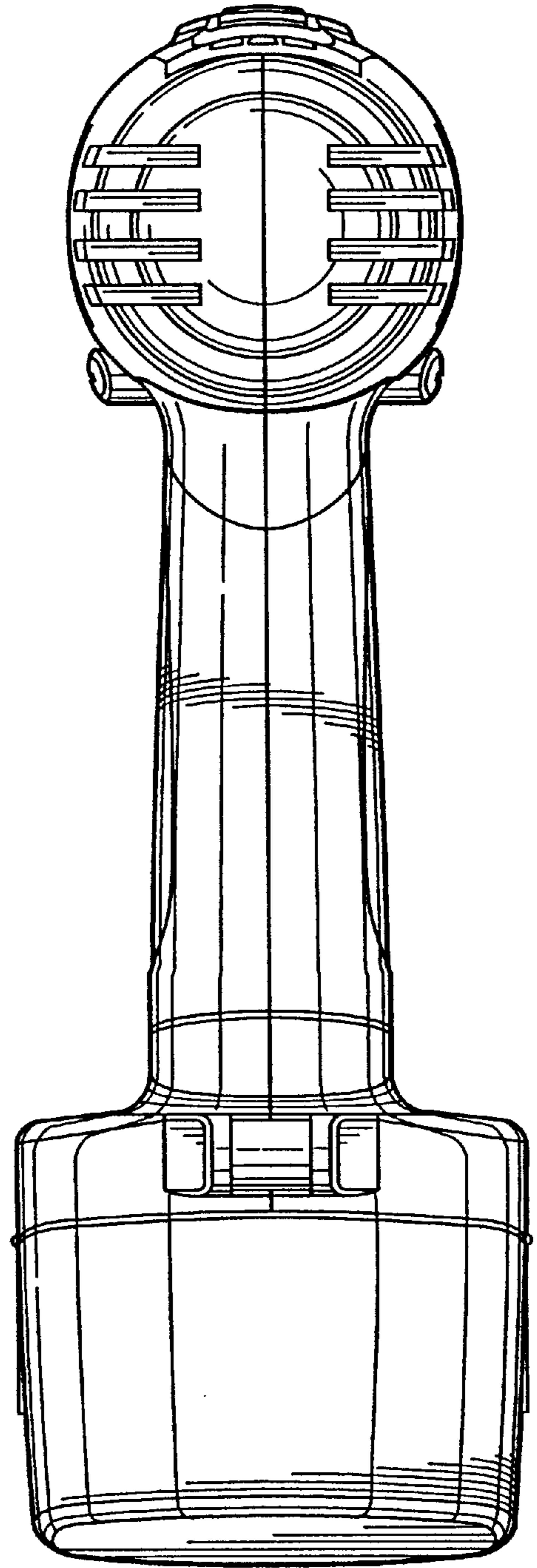


FIG. 6