



US00D419402S

United States Patent [19]
Baker

[11] **Patent Number: Des. 419,402**
[45] **Date of Patent: ** Jan. 25, 2000**

[54] **STEMWARE HOLDER**

Attorney, Agent, or Firm—Donald L. Beeson

[76] Inventor: **John F. Baker**, P.O. Box 271983,
Concord, Calif. 94527-1983

[57] **CLAIM**

[**] Term: **14 Years**

The ornamental design for a stemware holder, as shown and described.

[21] Appl. No.: **29/061,924**

DESCRIPTION

[22] Filed: **Nov. 25, 1996**

Related U.S. Application Data

[63] Continuation of application No. 29/054,220, May 10, 1996,
abandoned.

[51] **LOC (7) Cl.** **07-06**

[52] **U.S. Cl.** **D7/708**

[58] **Field of Search** D7/701-708, 619,
D7/622; 211/71, 74; 215/396; 294/87.22,
87.28, 165; D6/512

FIG. 1 is a top perspective view of the stemware holder in accordance with my new design, showing the use of the stemware holder with champagne glasses and a champagne bottle.

FIG. 2 is a top perspective view thereof without the glasses and champagne bottle;

FIG. 3 is a side elevational view of the stemware holder as shown in FIG. 1;

FIG. 4 is an end elevational view of the stemware holder as shown in FIG. 1;

FIG. 5 is a top plan view of the stemware holder as shown in FIG. 1; and,

FIG. 6 is a bottom plan view of the stemware holder as shown in FIG. 1.

The broken lines shown in FIG. 1 are for illustrative purposes only, and indicate the nature and use of my new design.

[56] **References Cited**

U.S. PATENT DOCUMENTS

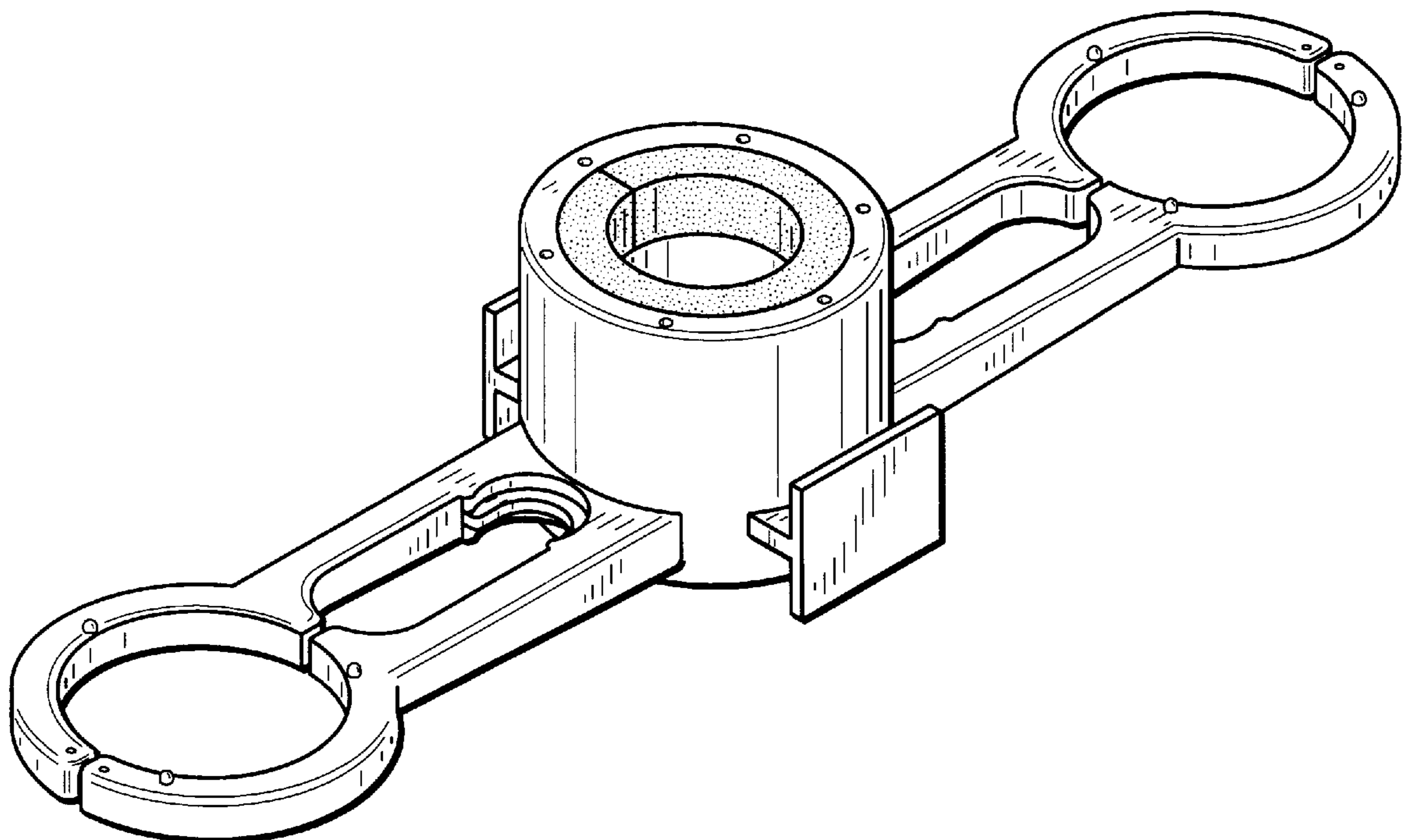
D. 115,619	7/1939	Goodwin	D7/704
D. 169,041	3/1953	Johnson	D7/624 X
D. 342,421	12/1993	DuBow	.	
1,377,931	5/1921	Samuels	D7/706 X

OTHER PUBLICATIONS

Brochure, "Stemcaddy Twosome Wine Glass Carrier"
Undated.

Primary Examiner—Terry A. Wallace

1 Claim, 3 Drawing Sheets



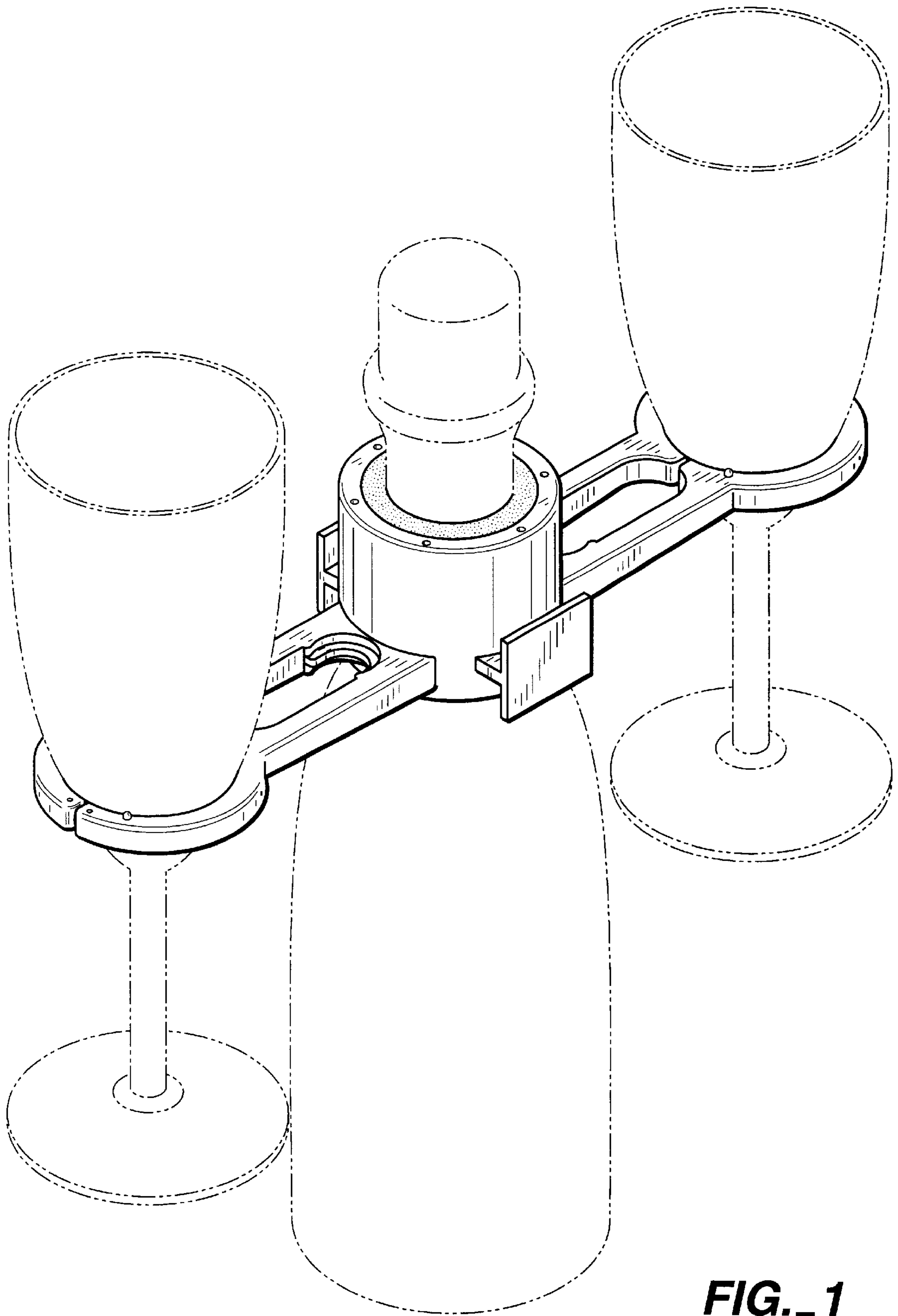


FIG. 1

