



US00D419401S

United States Patent [19]

Adamson et al.

[11] Patent Number: Des. 419,401

[45] Date of Patent: ** Jan. 25, 2000

[54] **HOLDER FOR BAGS OF MILK**

[75] Inventors: **Jerry Adamson**, Ontario, Canada;
Brett Johnston, 3 Dungey Crescent,
Alliston, Ontario, Canada, L9R 1X5

[73] Assignee: **Brett Johnston**, Alliston, Canada

[**] Term: **14 Years**

3,233,817 2/1966 Casady .
3,435,990 4/1969 Pike .
3,908,864 9/1975 Capper .
4,235,331 11/1980 Bates, III et al. .
4,653,671 3/1987 Duffy et al. .
4,782,945 11/1988 Geiler et al. .
5,148,939 9/1992 Roser .
5,161,710 11/1992 Chumley .
5,186,359 2/1993 Brown et al. .
5,454,483 10/1995 Ichikawa et al. .

[21] Appl. No.: **29/097,677**

[22] Filed: **Dec. 11, 1998**

Primary Examiner—Terry A. Wallace
Attorney, Agent, or Firm—Barrigar & Moss

[30] **Foreign Application Priority Data**

Jun. 18, 1998 [CA] Canada 1998-1498

[51] **LOC (7) Cl.** **07-06**

[52] **U.S. Cl.** **D7/701**

[58] **Field of Search** D7/601, 619, 637-641,
D7/701, 707, 708; 206/203; 211/71.01,
74; 222/105; D9/341, 455, 456

[57] **CLAIM**

The ornamental design for holder for bags of milk, as shown and described.

[56] **References Cited**

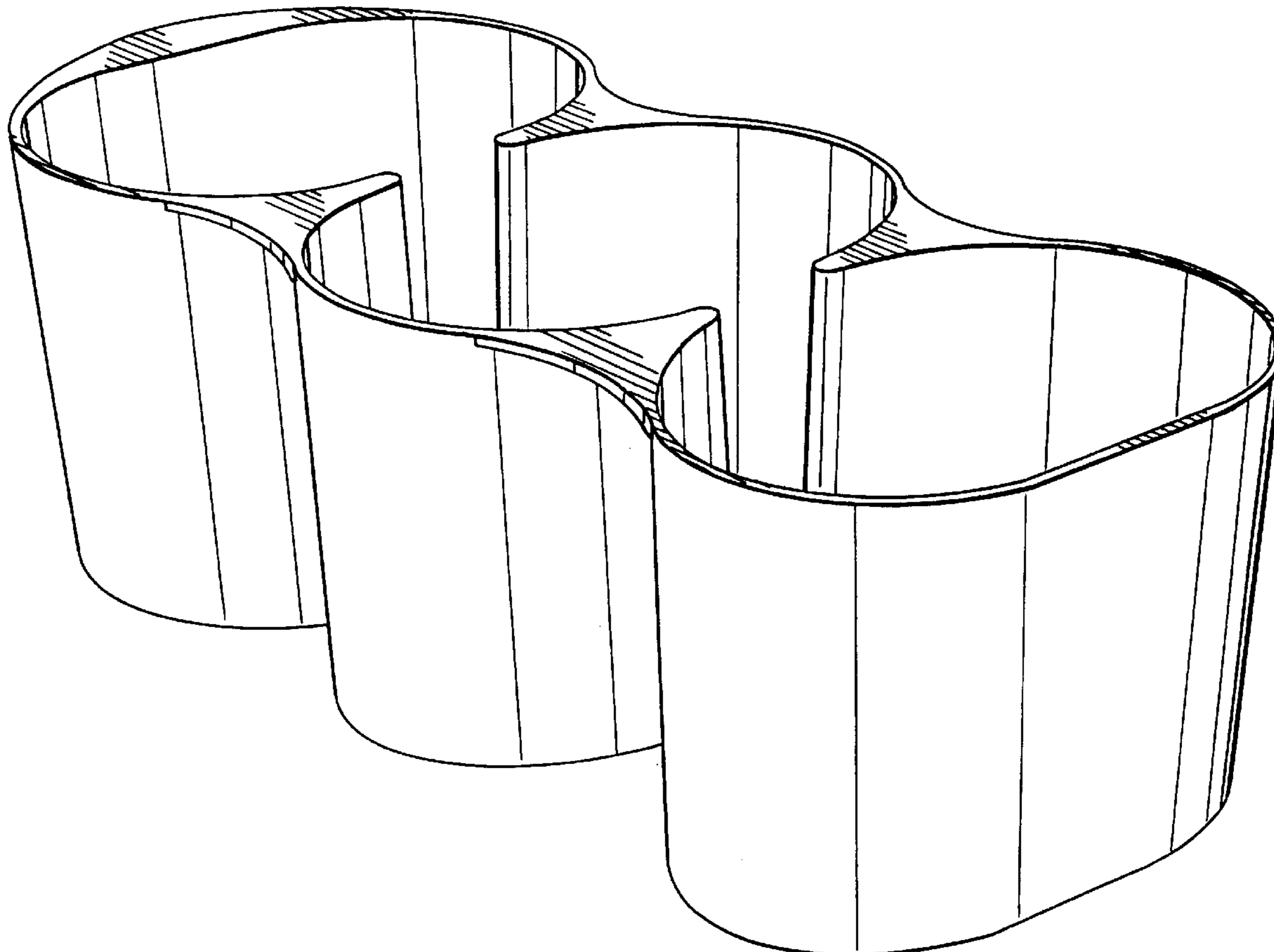
U.S. PATENT DOCUMENTS

D. 103,916 3/1937 Scurlock .
D. 334,871 4/1993 Kelton .
D. 395,801 7/1998 Miller D7/641

DESCRIPTION

FIG. 1 is a perspective view, taken from above and from the back end of the design;
FIG. 2 is a right side view of the design; the left side being a mirror image thereof;
FIG. 3 is a top plan view of the design;
FIG. 4 is a front end view of the design; and,
FIG. 5 is a back end view of the design.

1 Claim, 4 Drawing Sheets



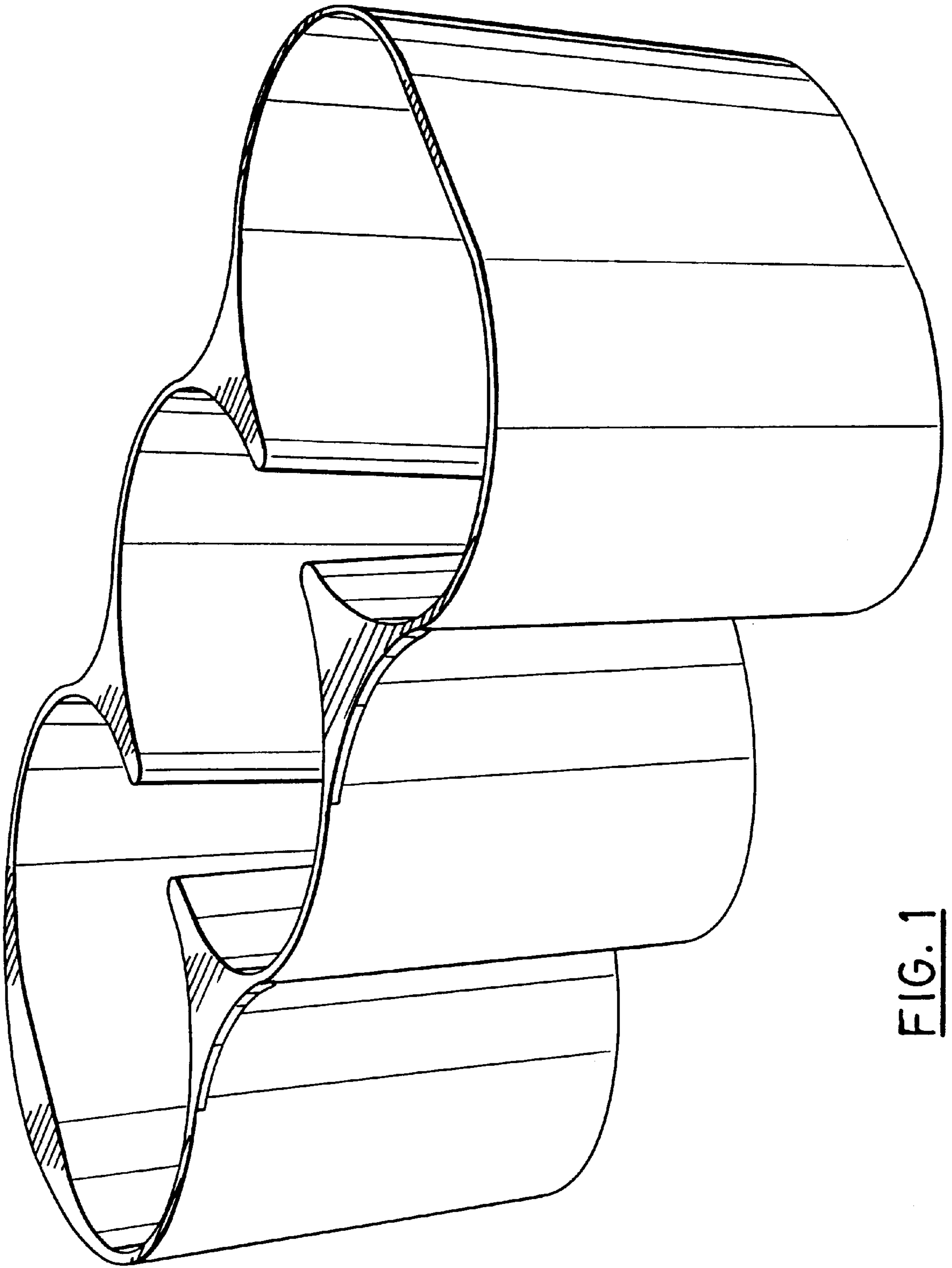


FIG. 1

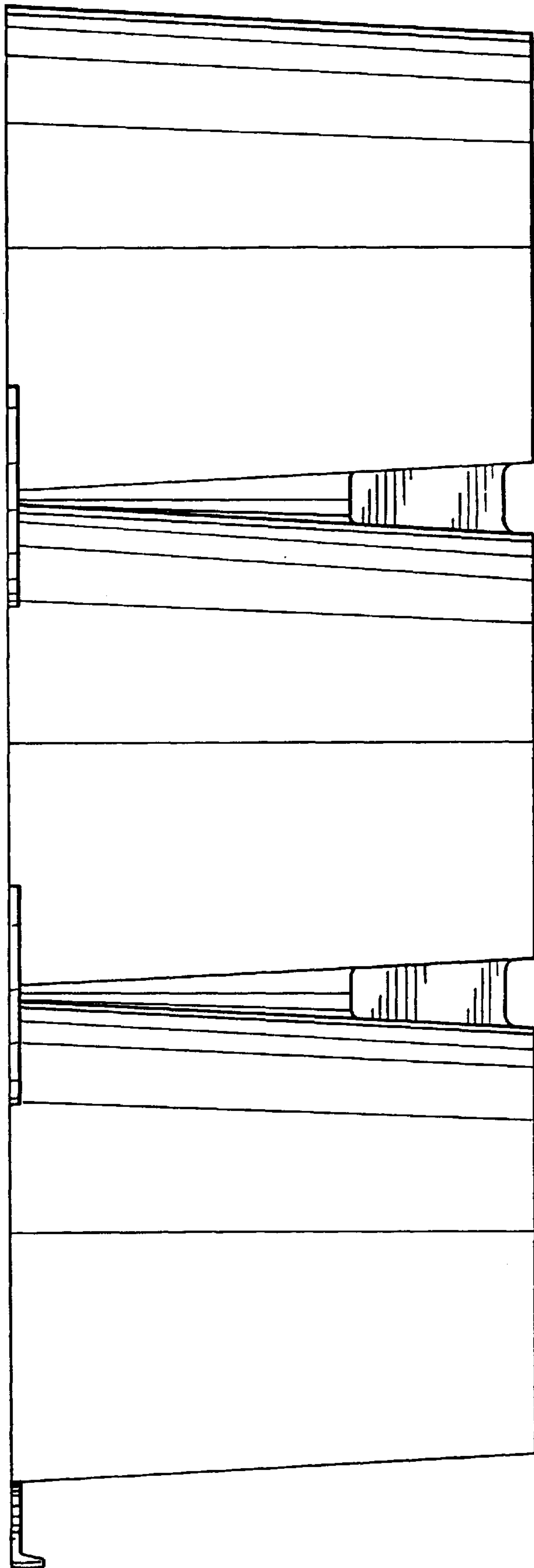


FIG. 2

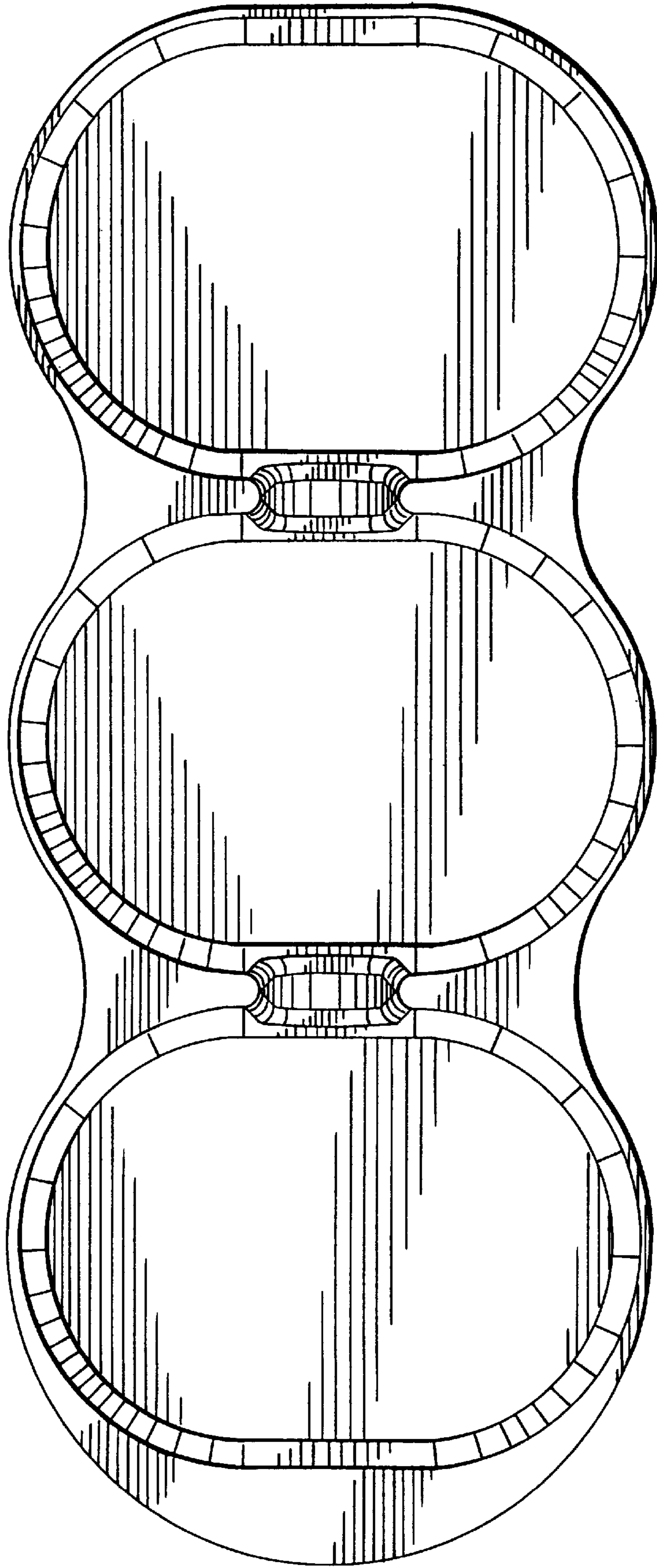


FIG. 3

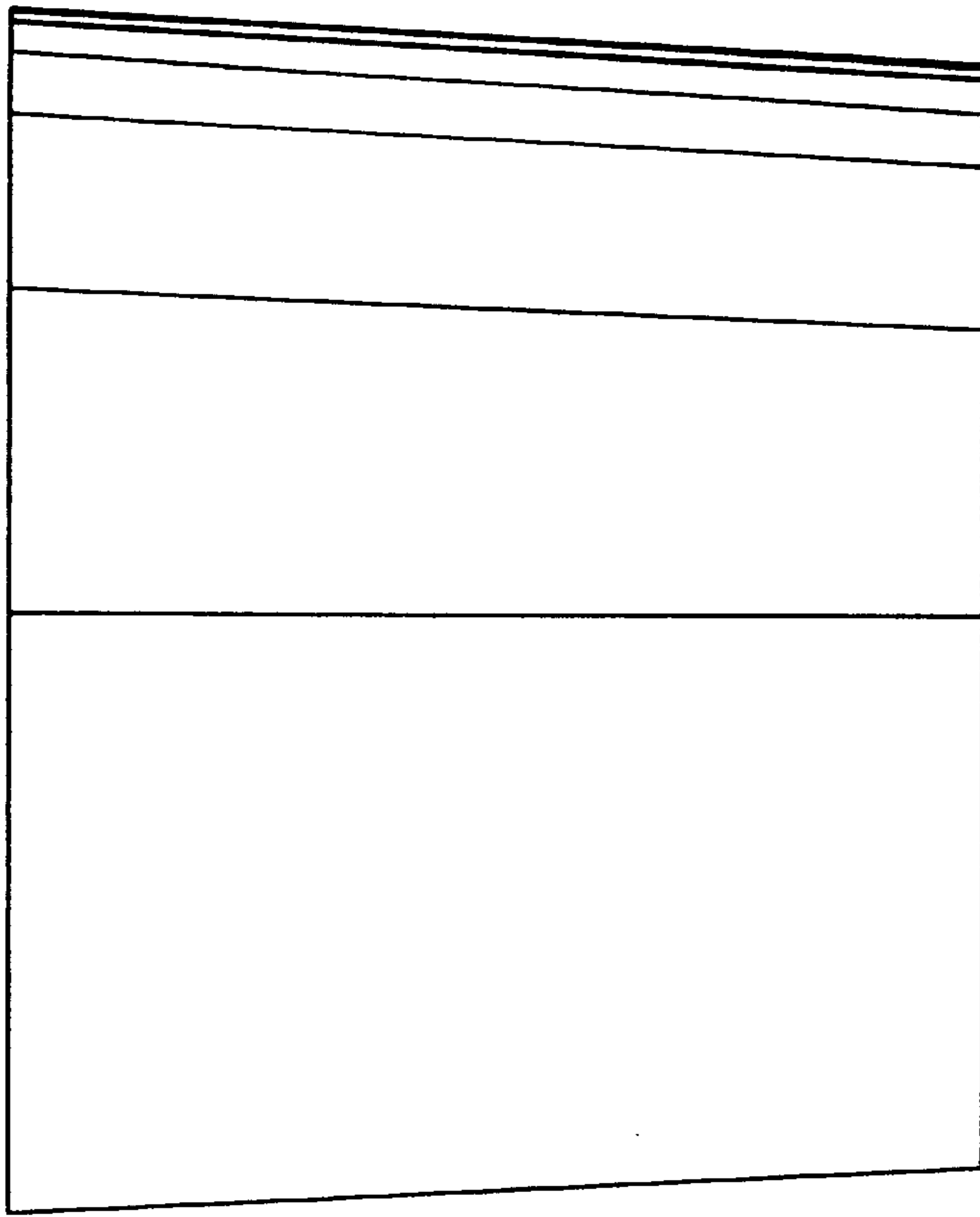


FIG. 5

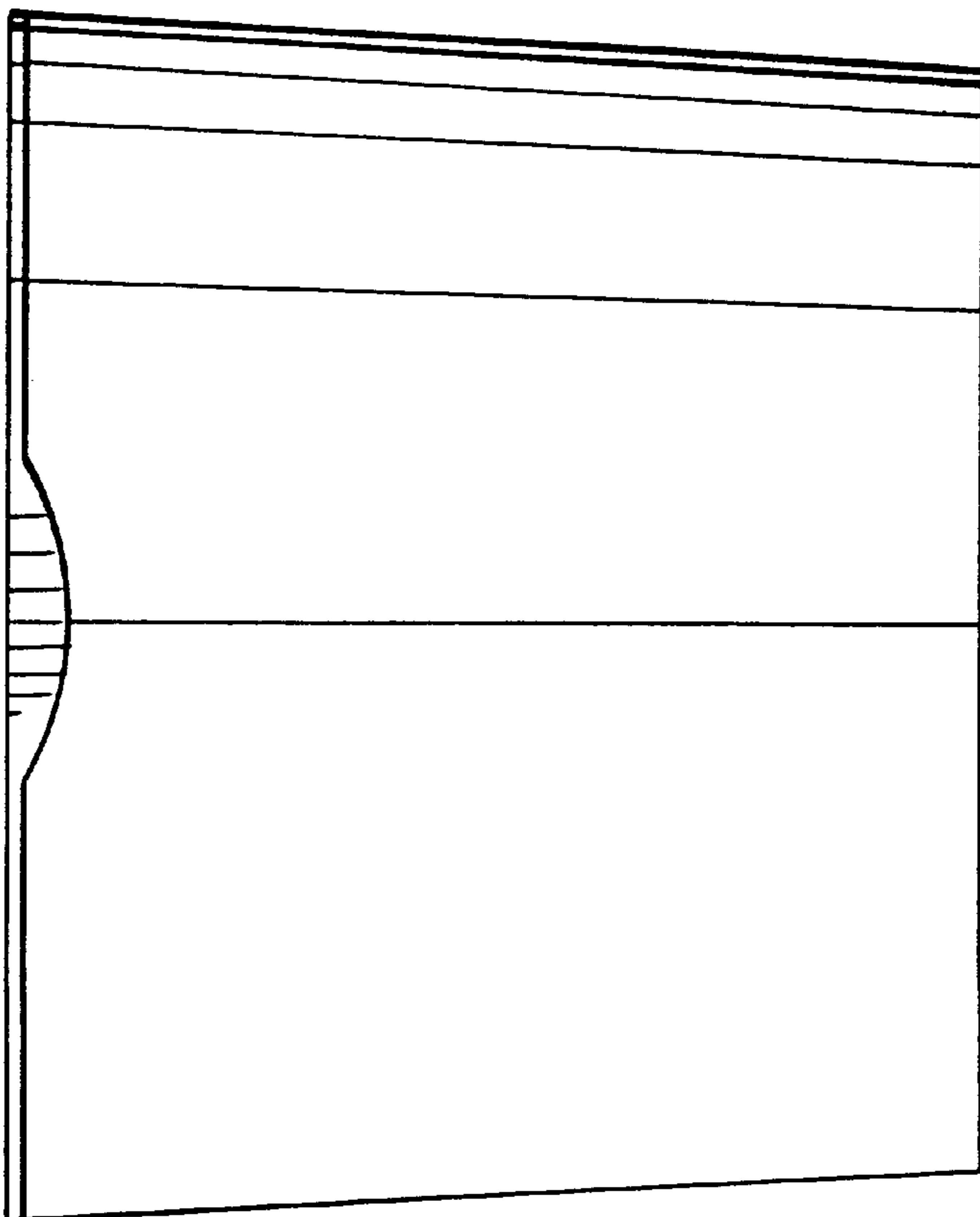


FIG. 4