



US00D419400S

**United States Patent** [19]  
**Martinez**

[11] **Patent Number: Des. 419,400**  
[45] **Date of Patent: \*\* Jan. 25, 2000**

[54] **SHOVEL SCOOP FOR GRANULAR MATERIAL**

[76] Inventor: **Mark Martinez**, 2388 Norte Vista, Chino Hills, Calif. 91709

[\*\*] Term: **14 Years**

[21] Appl. No.: **29/105,396**

[22] Filed: **May 24, 1999**

[51] **LOC (7) Cl.** ..... **07-04**

[52] **U.S. Cl.** ..... **D7/691**

[58] **Field of Search** ..... D7/691, 700; D8/10; 30/324-328; 294/7, 8, 55; 141/84, 98, 331

[56] **References Cited**

**U.S. PATENT DOCUMENTS**

3,490,501 1/1970 Manem et al. .... 141/84  
5,095,573 3/1992 Henke et al. .... 294/55 X

*Primary Examiner*—Terry A. Wallace  
*Attorney, Agent, or Firm*—Willie Krawitz

[57] **CLAIM**

The ornamental design for a shovel scoop for granular material, as shown and described.

**DESCRIPTION**

FIG. 1 is a perspective view of a shovel scoop for granular material, showing my design;  
FIG. 2 is a top plan view thereof;  
FIG. 3 is a left side elevation view, the right side elevation view being the mirror image thereof;  
FIG. 4 is a front elevation plan view thereof;  
FIG. 5 is a rear elevation view thereof; and,  
FIG. 6 is a bottom plan view thereof.  
The broken lines are for illustrative purposes only and form no part of the claimed design.

**1 Claim, 3 Drawing Sheets**

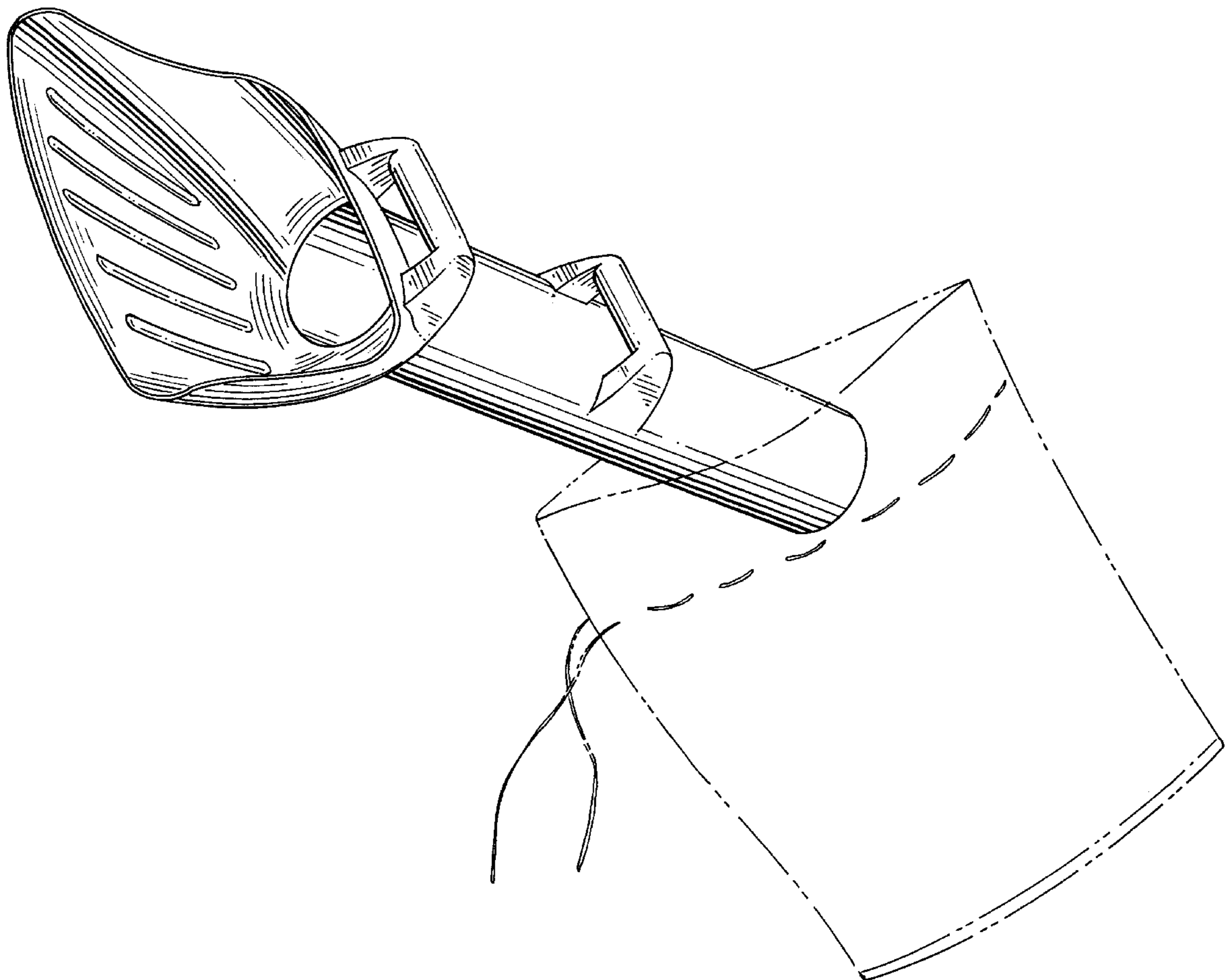
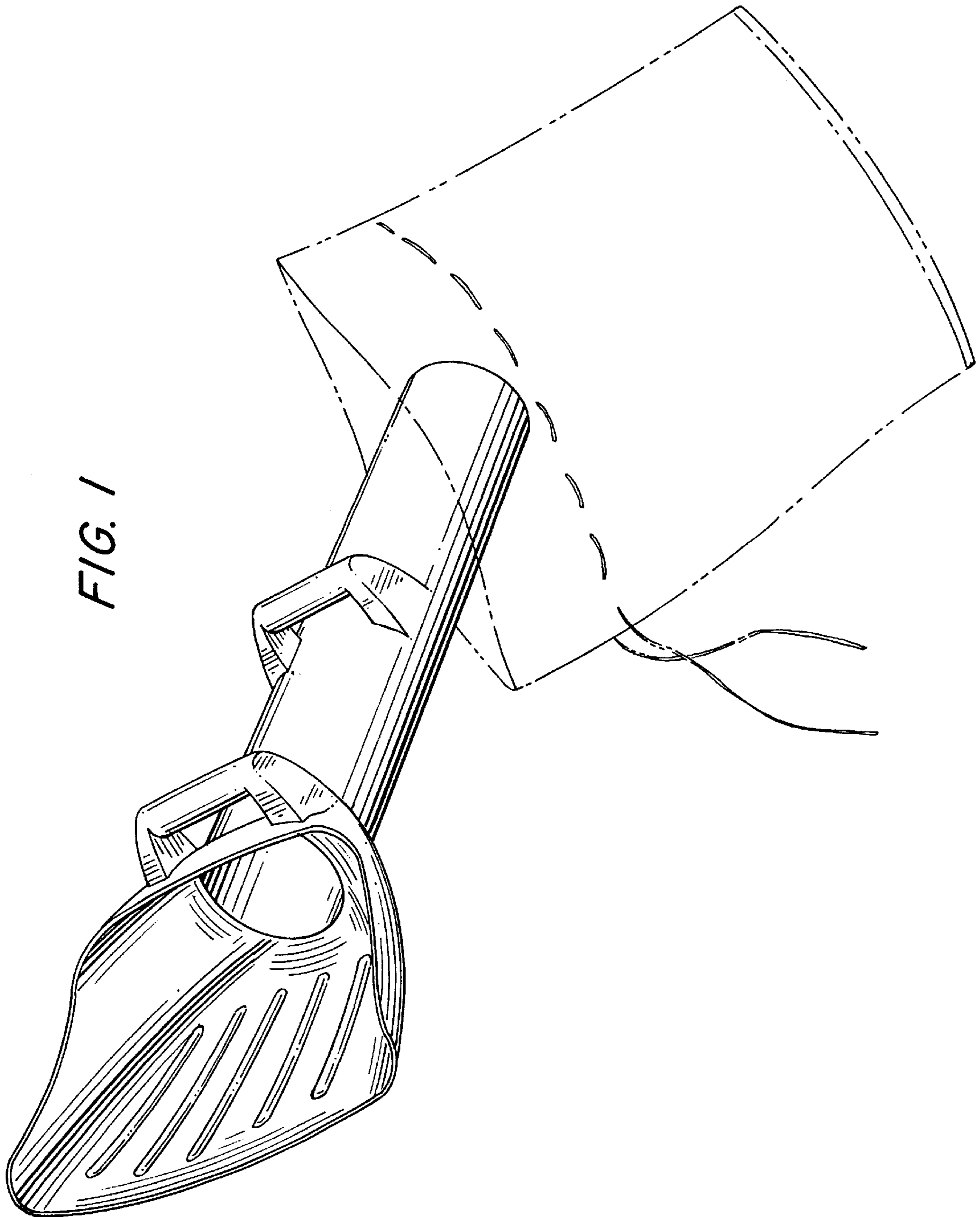


FIG. 1



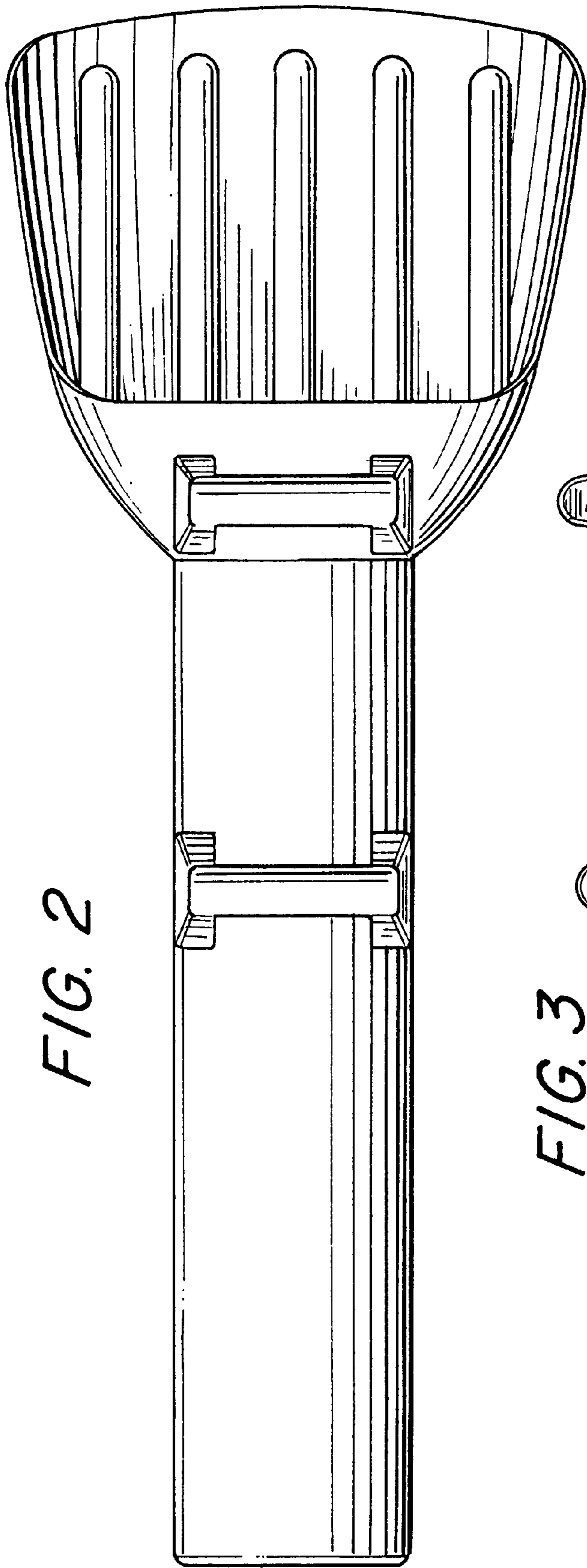


FIG. 2

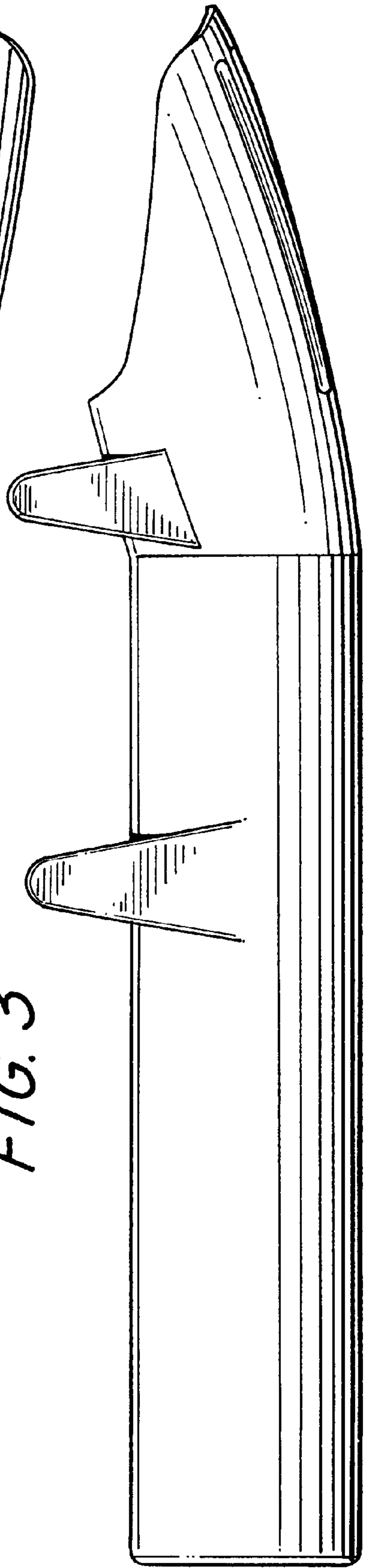


FIG. 3

FIG. 5

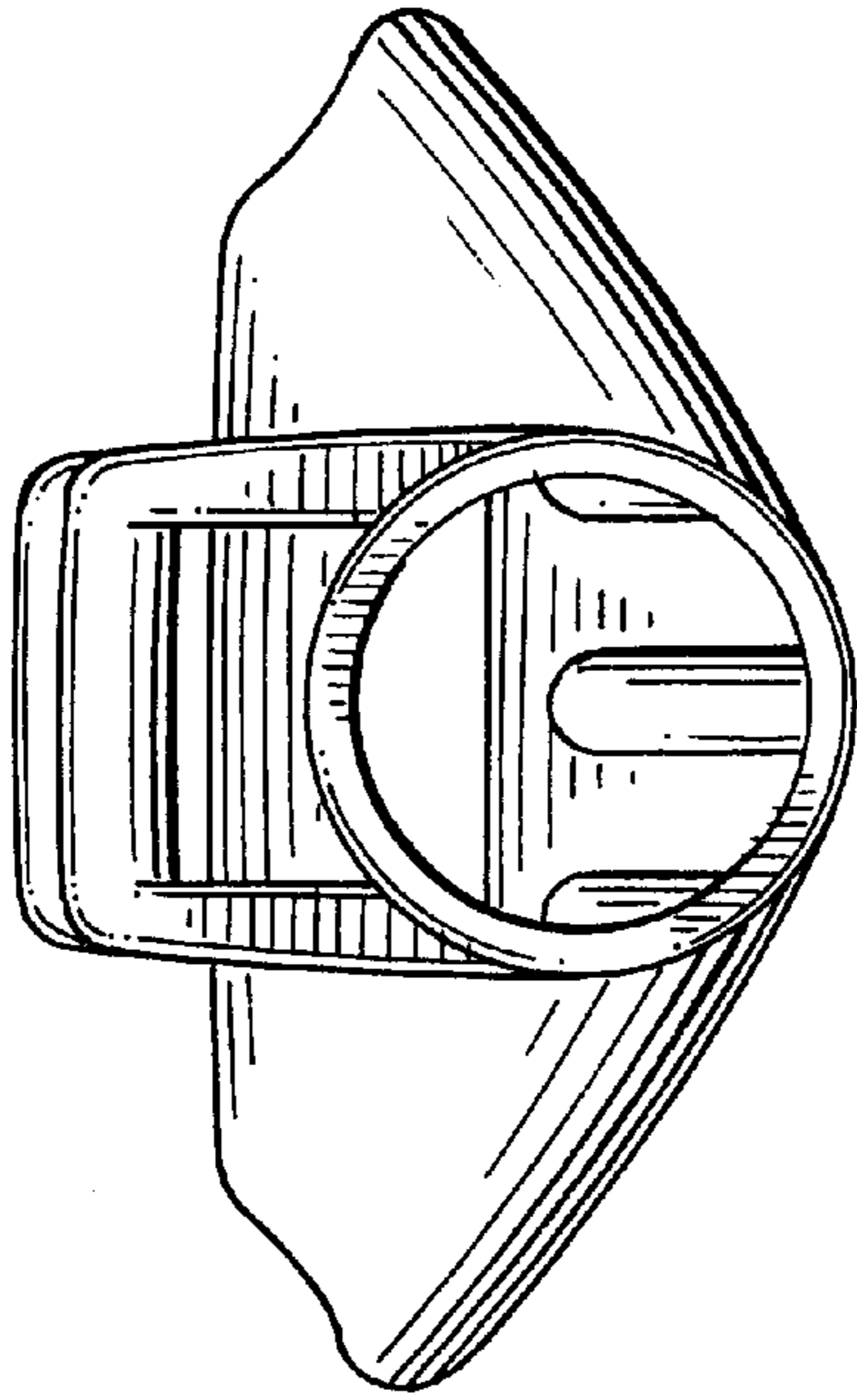


FIG. 4

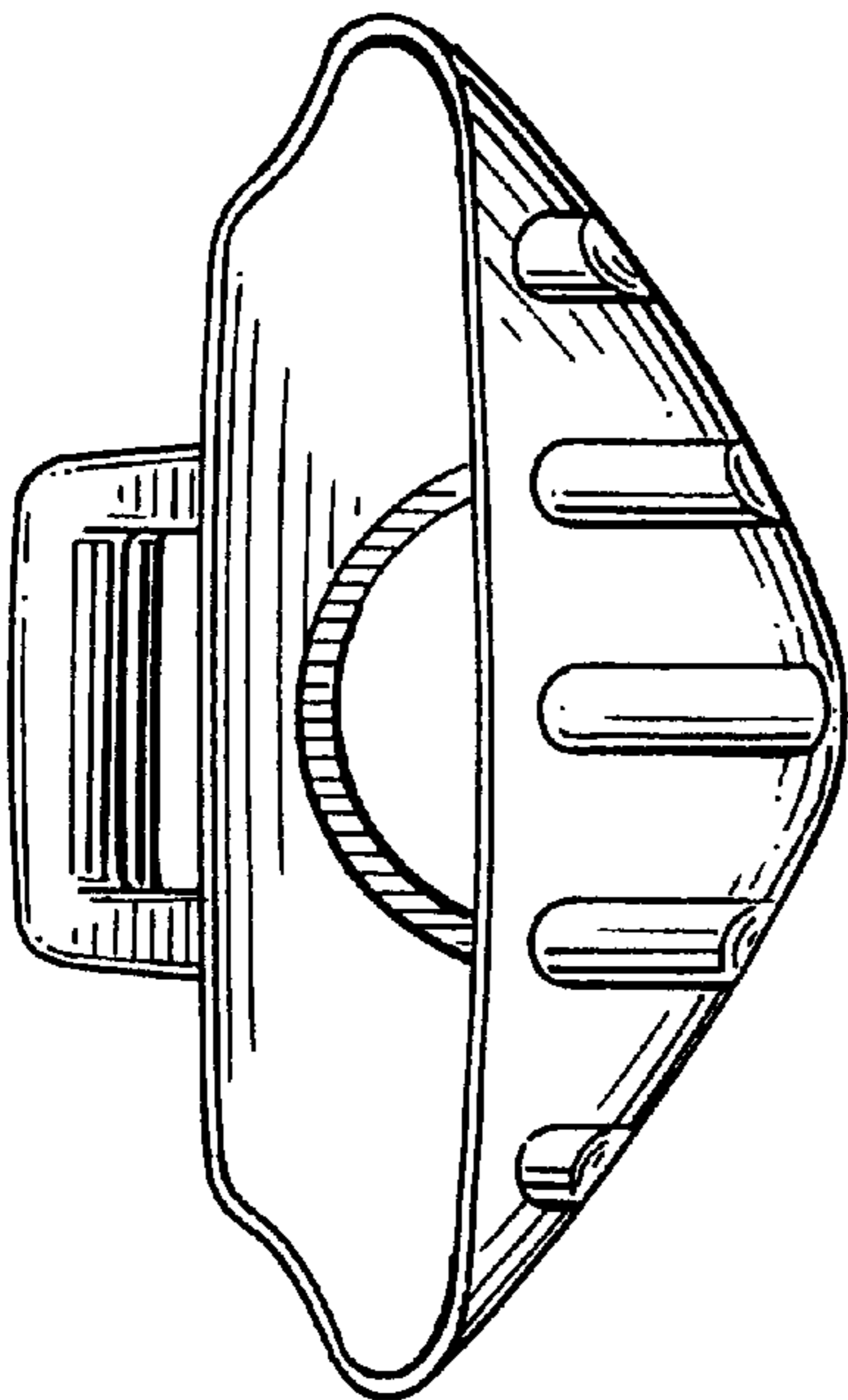


FIG. 6

