



US00D419398S

United States Patent [19]
Shih

[11] **Patent Number: Des. 419,398**

[45] **Date of Patent: ** Jan. 25, 2000**

[54] **SQUEEZER**

D. 304,140 10/1989 Li D7/666
D. 370,837 6/1996 Lee D7/666

[76] Inventor: **Andy Shih**, No. 15, Alley 12, Lane 27,
Wu Shan Rd., Tainan, Taiwan

Primary Examiner—Terry A. Wallace
Attorney, Agent, or Firm—Rosenberg, Klein & Lee

[**] Term: **14 Years**

[57] **CLAIM**

[21] Appl. No.: **29/101,898**

The ornamental design for a squeezer, as shown and described.

[22] Filed: **Mar. 12, 1999**

DESCRIPTION

[51] **LOC (7) Cl.** **07-04**

[52] **U.S. Cl.** **D7/666**

[58] **Field of Search** D7/665, 666, 372,
D7/374; 99/495, 501–506; 100/213; 241/84.4,
270

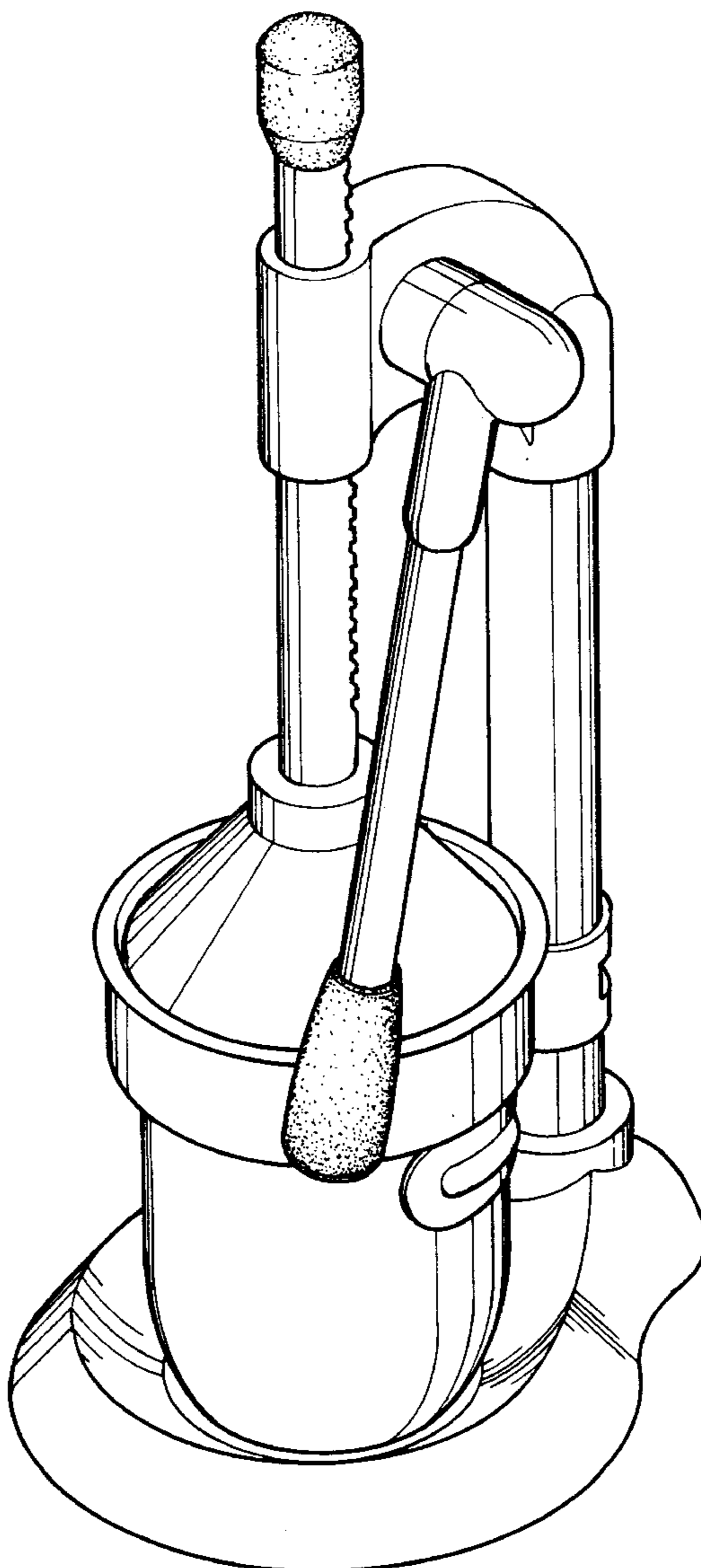
FIG. 1 is front-right-top perspective view of a squeezer, showing my new design;
FIG. 2 is a front elevation view thereof;
FIG. 3 is a rear elevation view thereof;
FIG. 4 is a left elevation view thereof;
FIG. 5 is a right elevation view thereof;
FIG. 6 is a top plan view thereof; and,
FIG. 7 is a bottom plan view thereof.

[56] **References Cited**

U.S. PATENT DOCUMENTS

D. 110,203 6/1938 Bloomfield D7/666
D. 132,678 6/1942 Talge D7/666

1 Claim, 6 Drawing Sheets



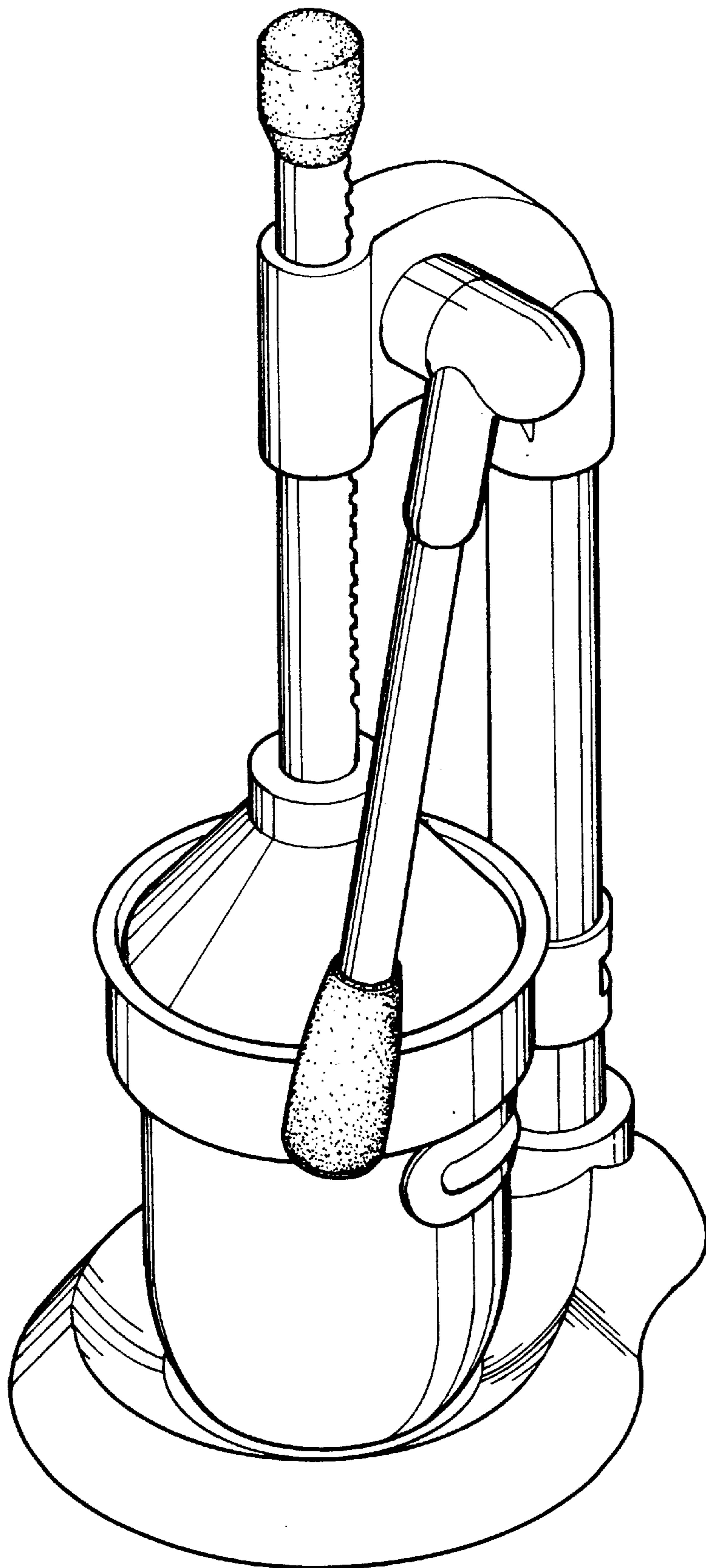


FIG. 1

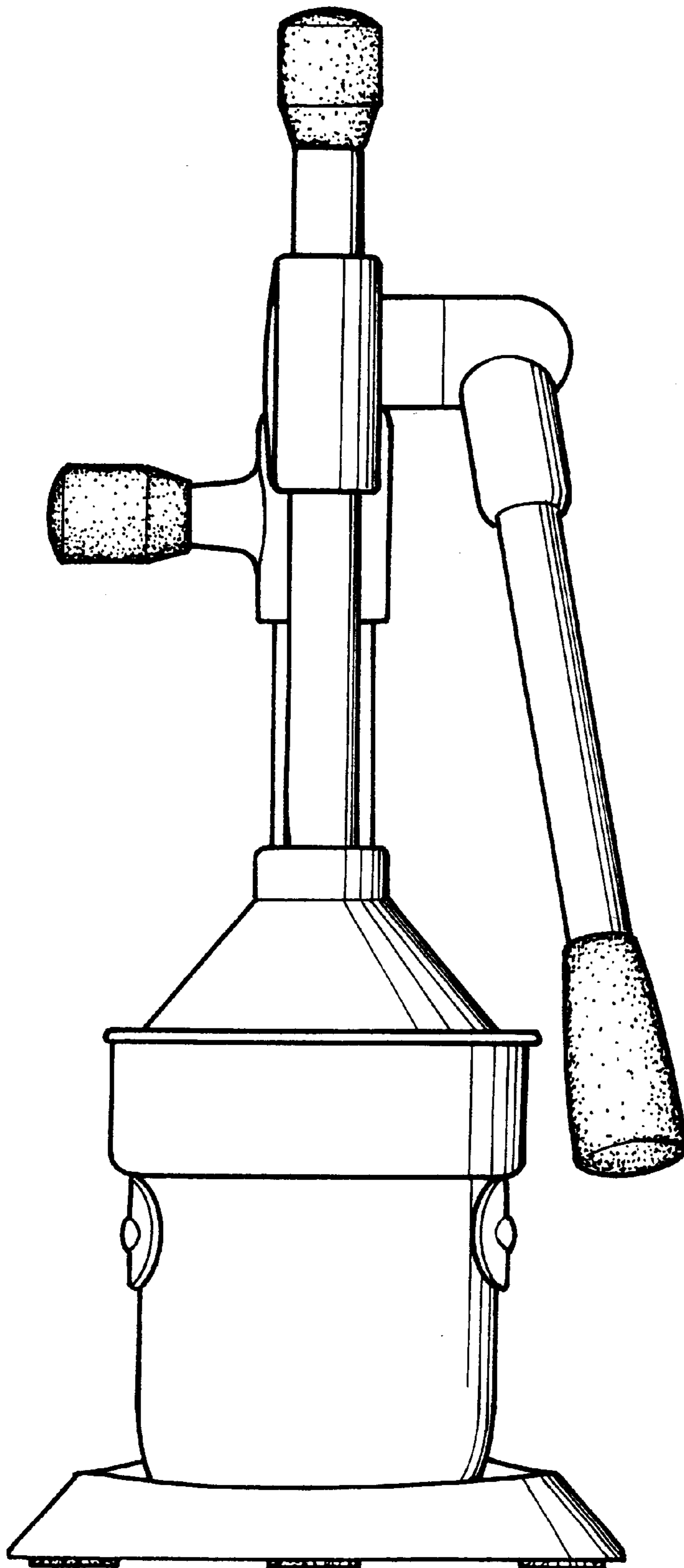


FIG.2

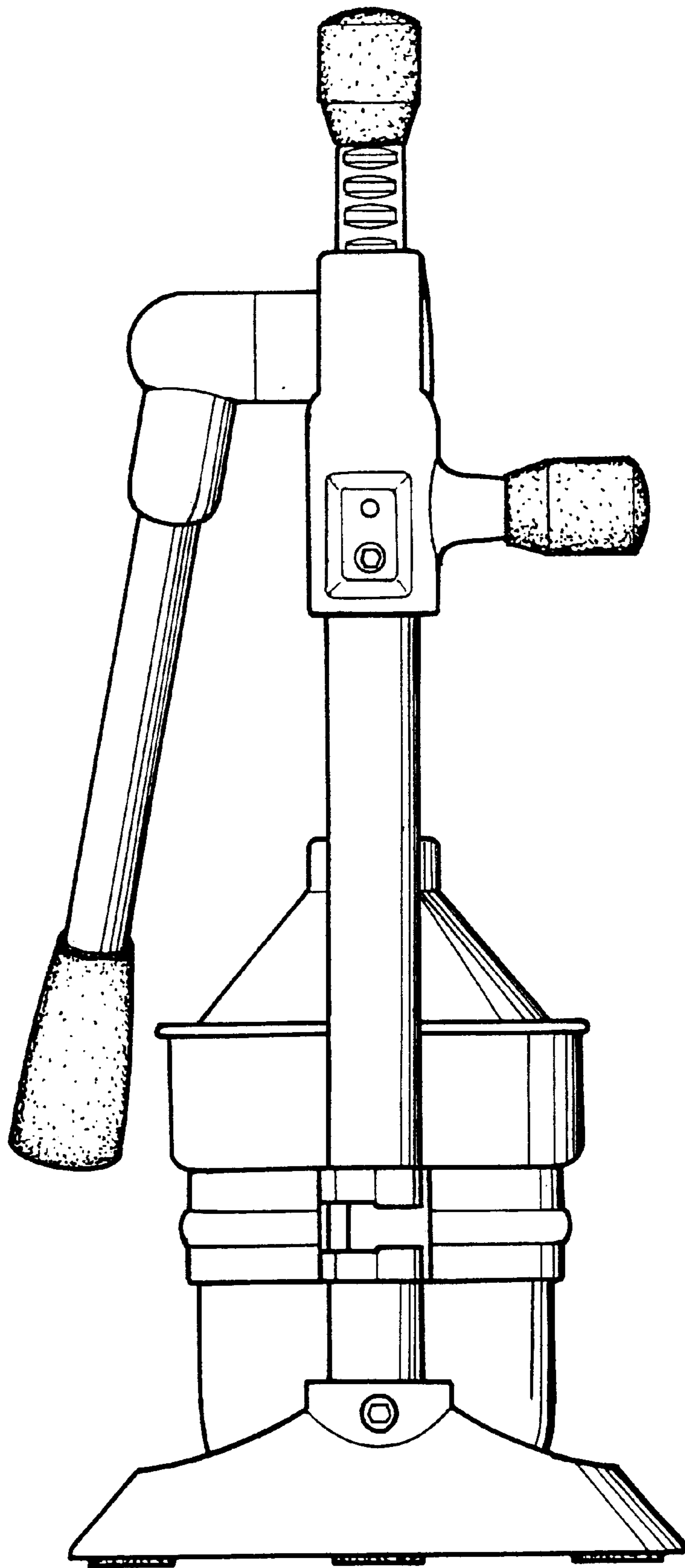


FIG. 3

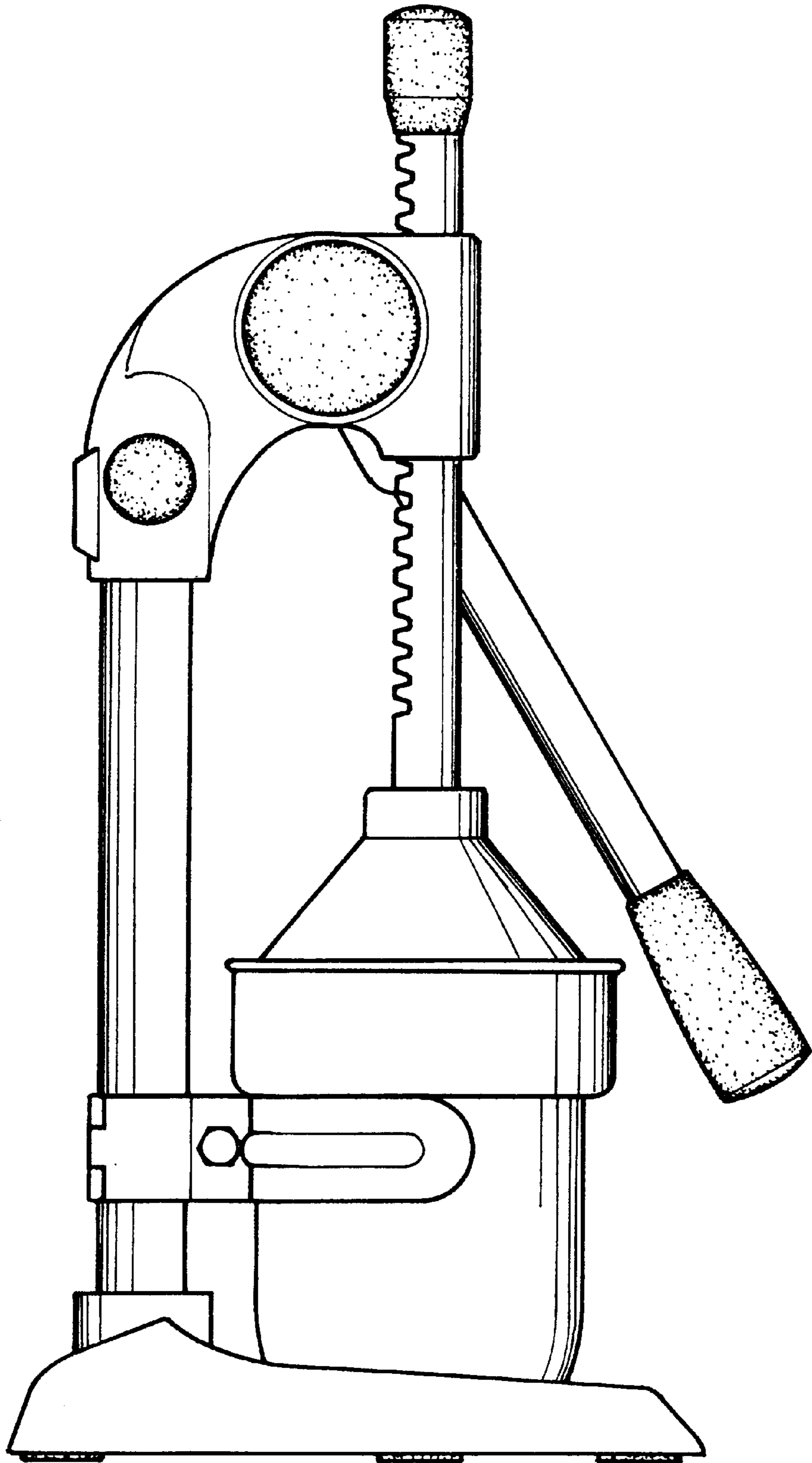


FIG. 4

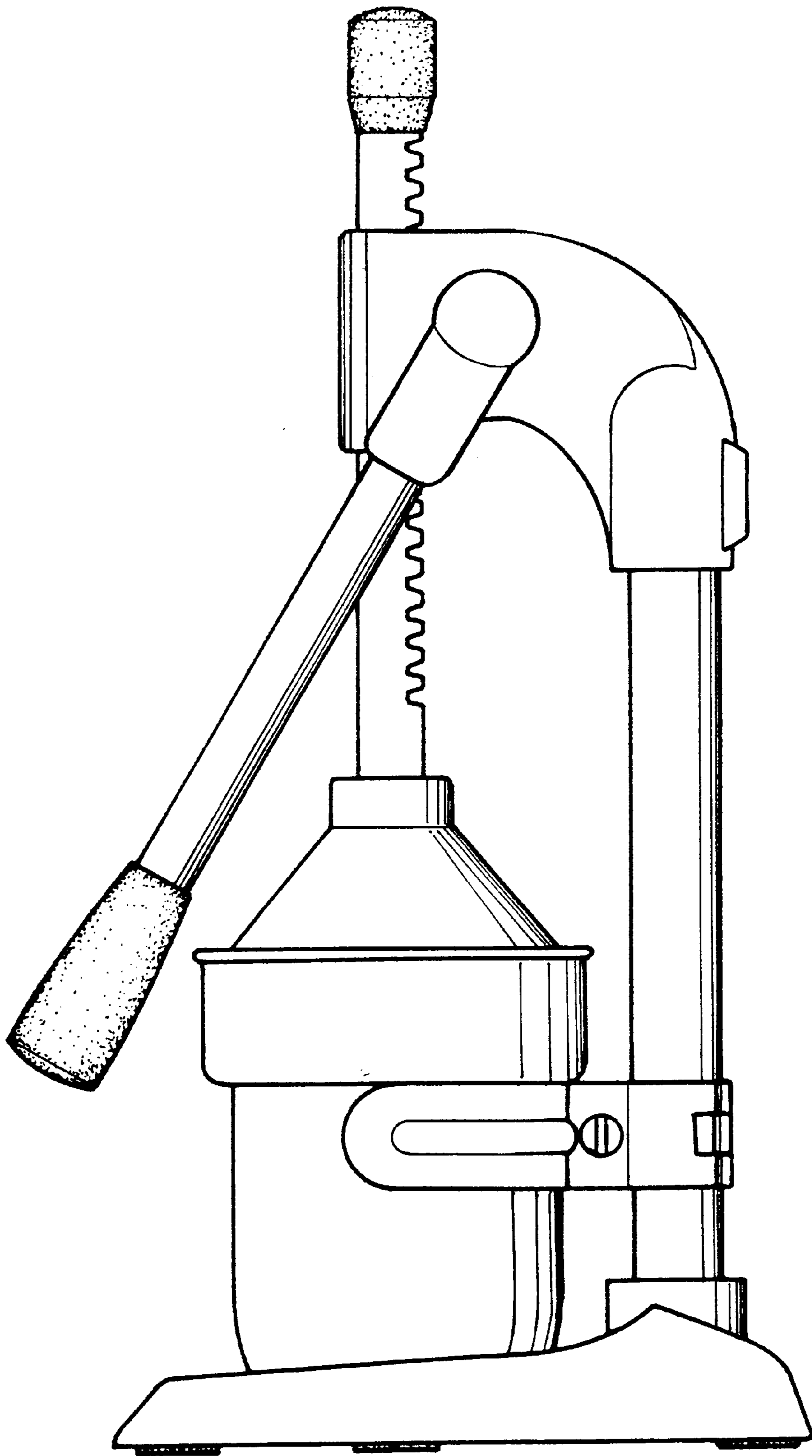


FIG. 5

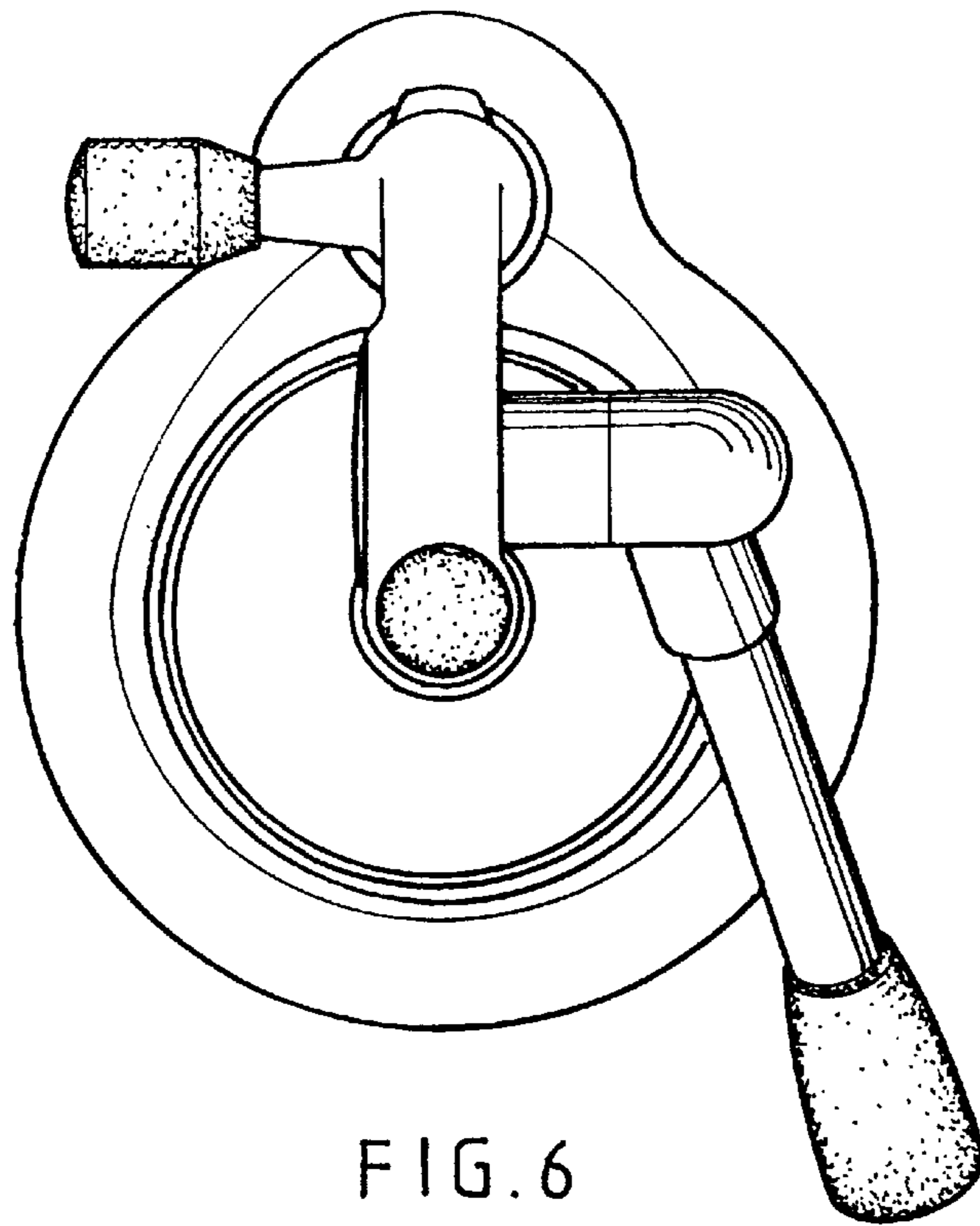


FIG. 6

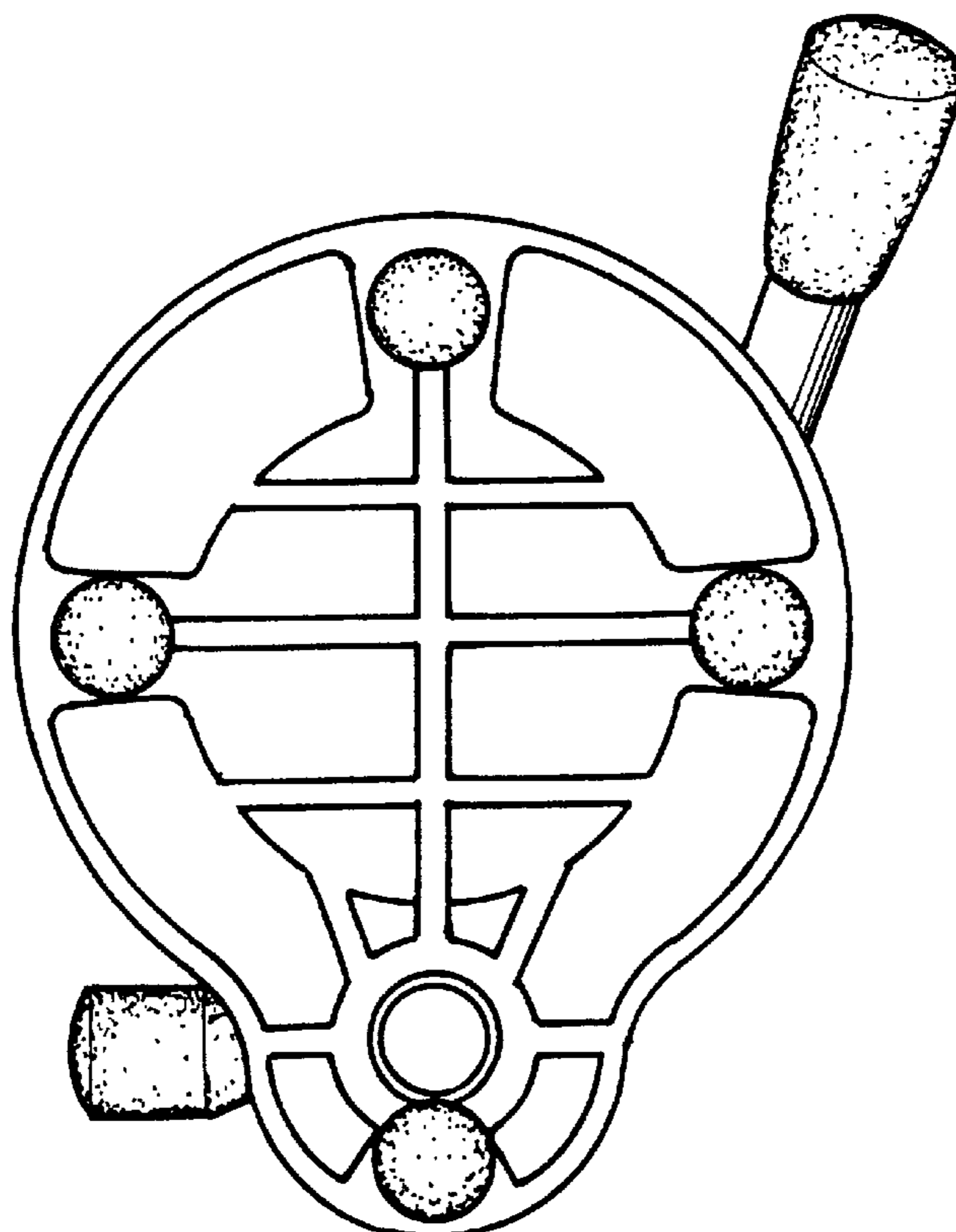


FIG. 7