



US00D419395S

**United States Patent** [19]  
**Swanson**

[11] **Patent Number: Des. 419,395**  
[45] **Date of Patent: \*\* Jan. 25, 2000**

[54] **UTENSIL REST**

[76] **Inventor: Dennis R Swanson, 1040 E. State St. - 1st Floor, Geneva, Ill. 60134**

[\*\*] **Term: 14 Years**

[21] **Appl. No.: 29/095,422**

[22] **Filed: Oct. 22, 1998**

[51] **LOC (7) Cl. .... 07-07**

[52] **U.S. Cl. .... D7/637**

[58] **Field of Search ..... D7/601, 624, 625, D7/637-641; 211/60.1, 70.6, 70.7; 248/37.3, 346.11**

[56] **References Cited**

**U.S. PATENT DOCUMENTS**

D. 274,684 7/1984 Norton ..... D7/637  
4,834,328 5/1989 Hall ..... 248/37.3

*Primary Examiner*—Terry A. Wallace

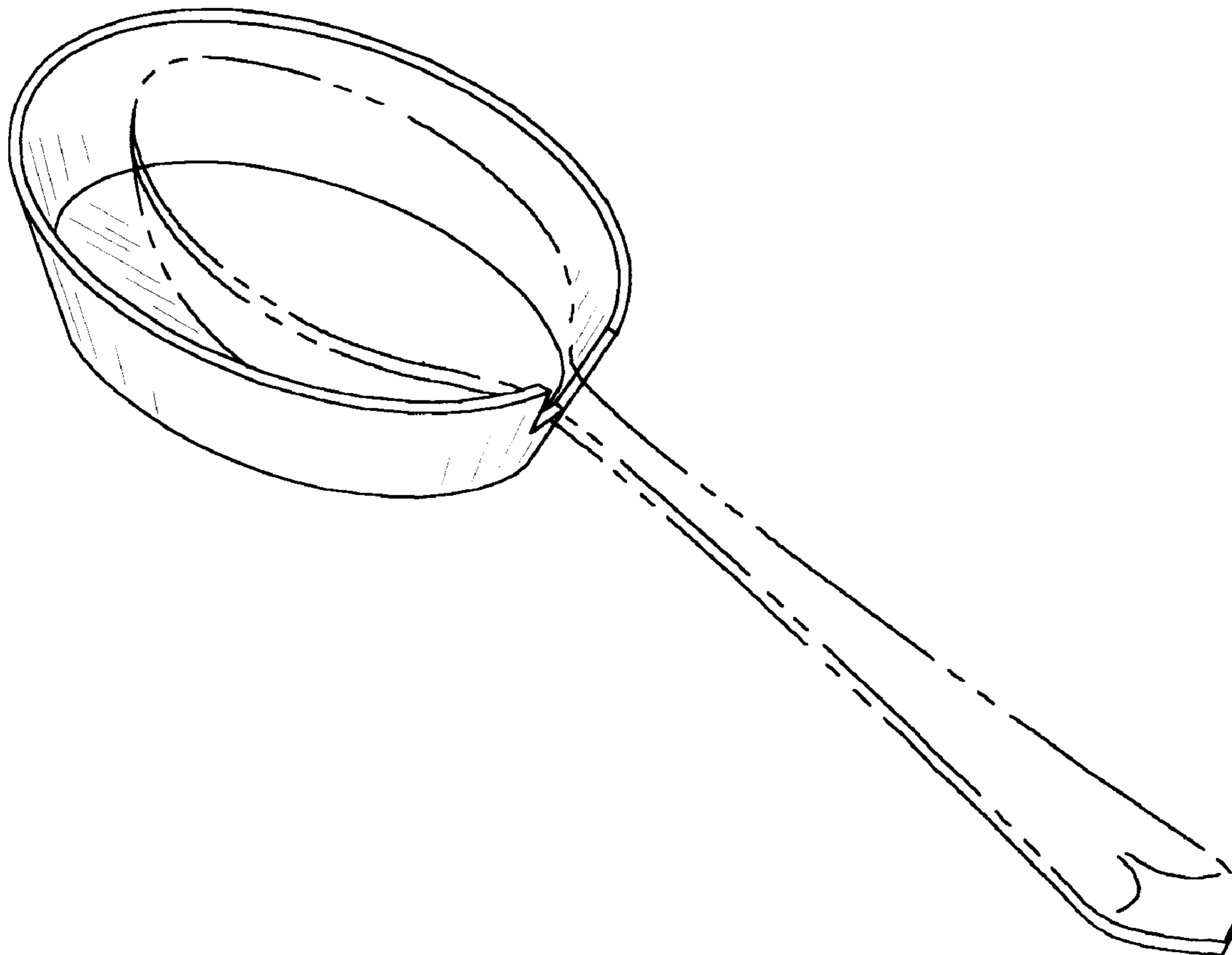
[57] **CLAIM**

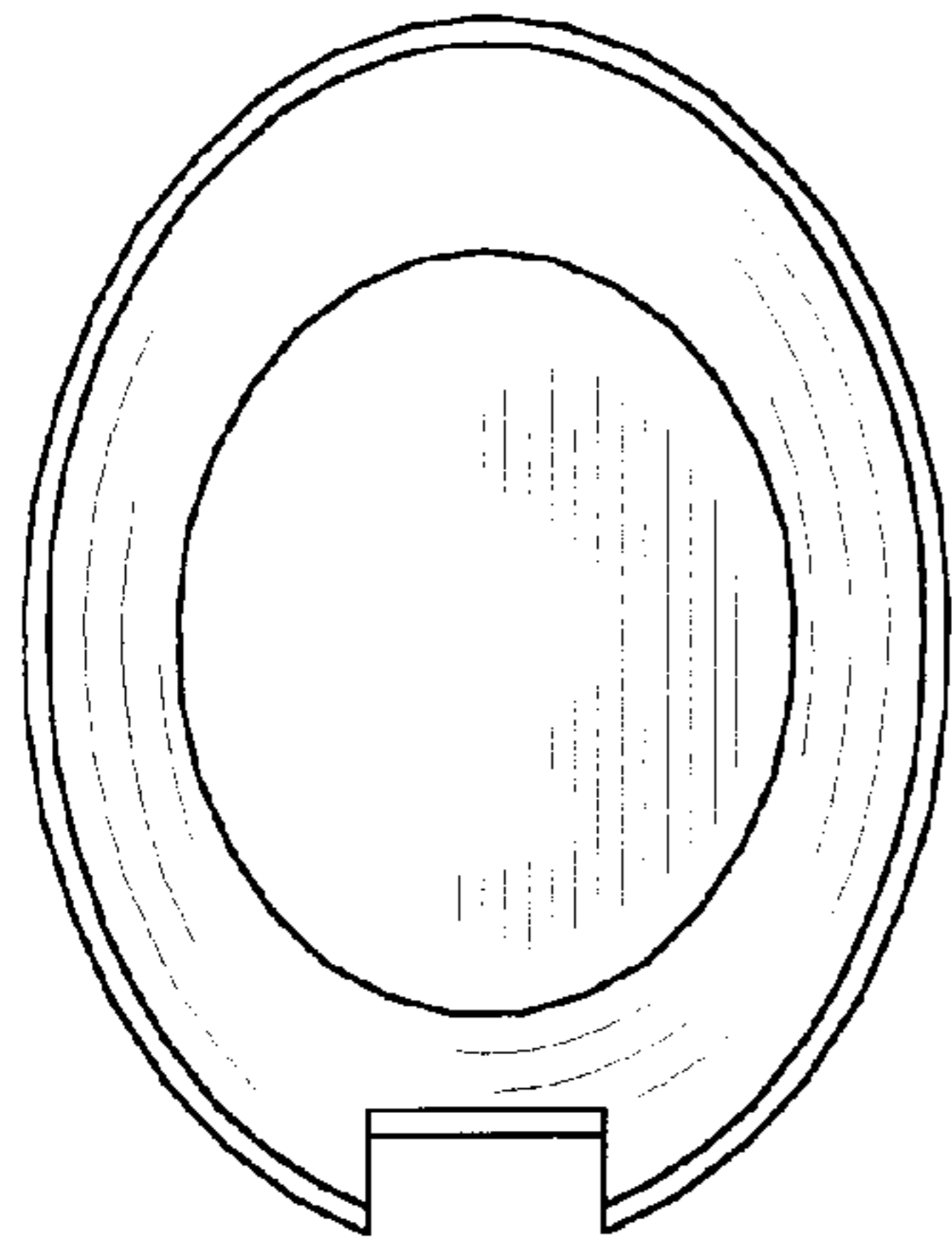
The ornamental design for a utensil rest, as shown and described.

**DESCRIPTION**

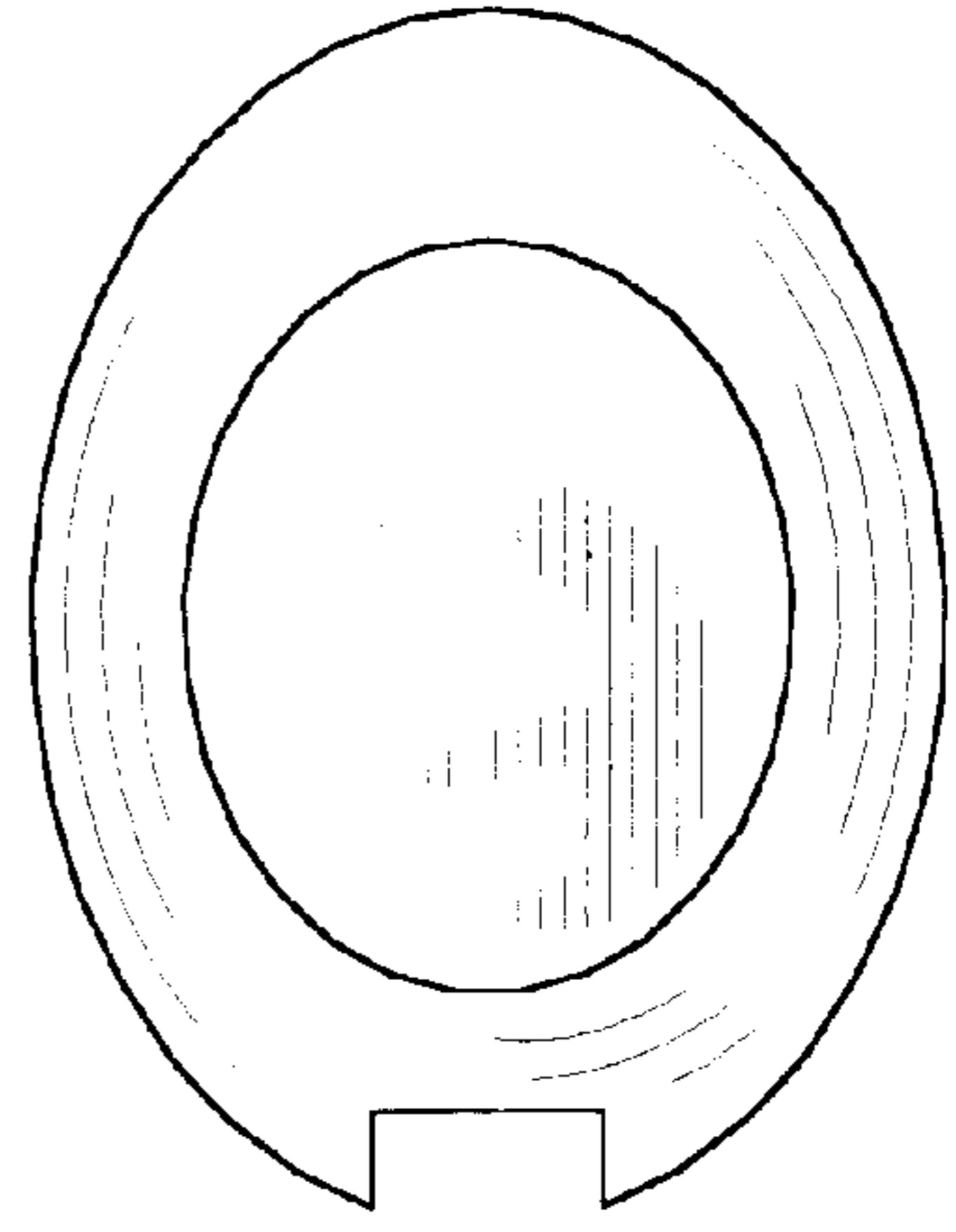
FIG. 1 is a front elevational view of the utensil rest of the present invention;  
FIG. 2 is a back elevational view of the utensil rest of FIG. 1;  
FIG. 3 is a left side elevational view of the utensil rest of FIG. 1;  
FIG. 4 is a top plan view of the utensil rest of FIG. 1;  
FIG. 5 is a bottom plan view of the utensil rest of FIG. 1; and,  
FIG. 6 is a top, front right side perspective view of the utensil rest of FIG. 1.  
The right side elevational view is a mirror image of the left side elevation.  
The broken lines showing a spoon in FIG. 6 are for illustrative purposes only and forms no part of the claimed invention.

**1 Claim, 2 Drawing Sheets**

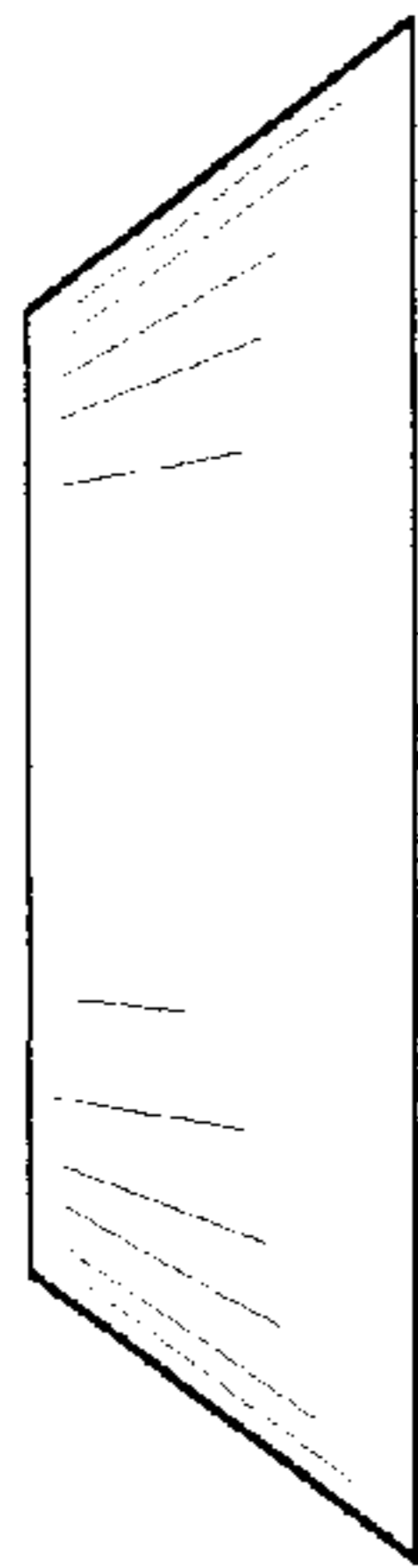




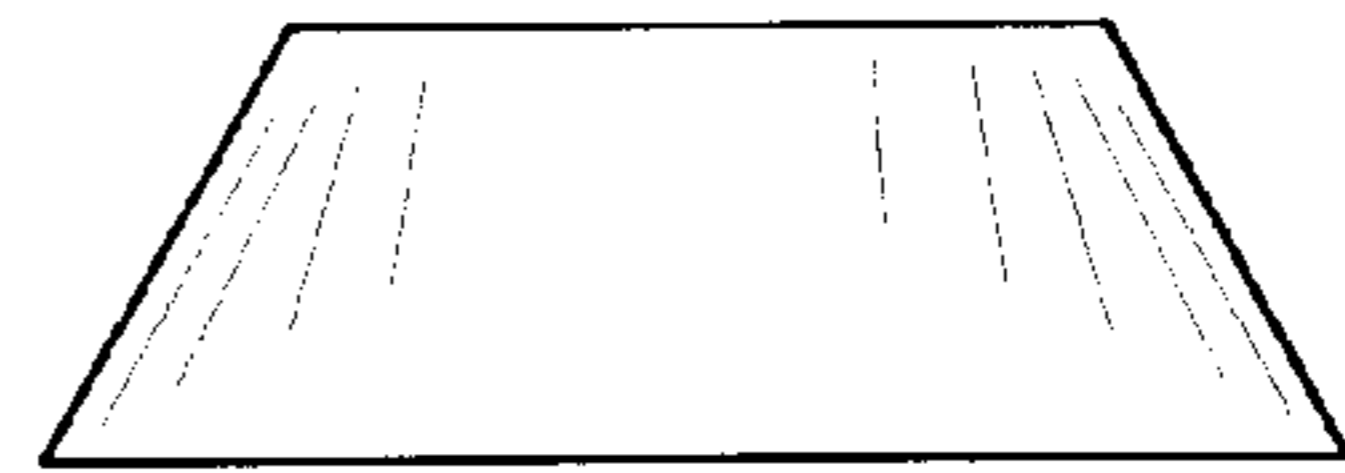
*Fig. 1*



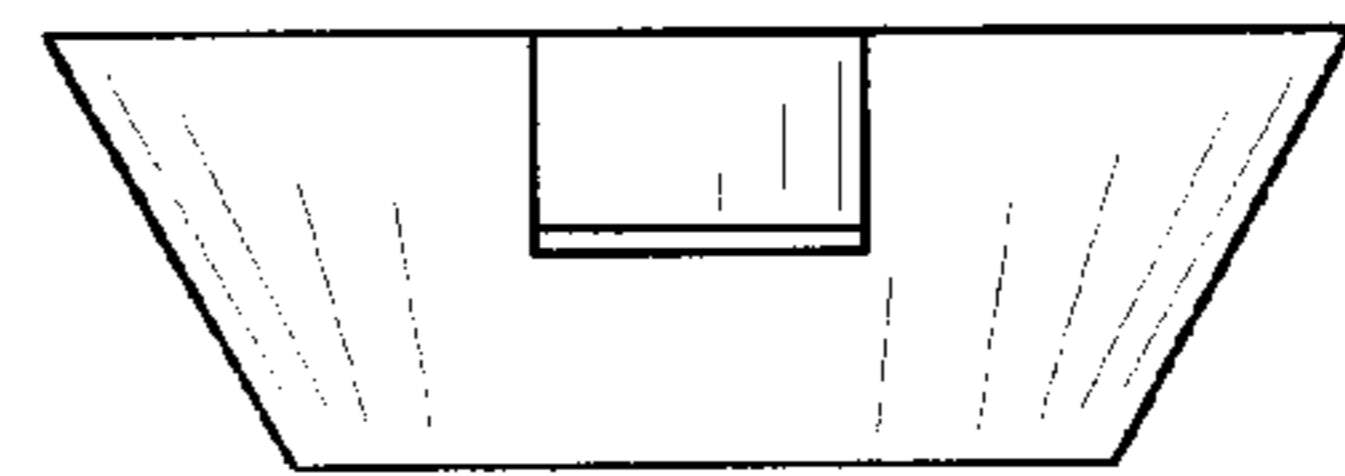
*Fig. 2*



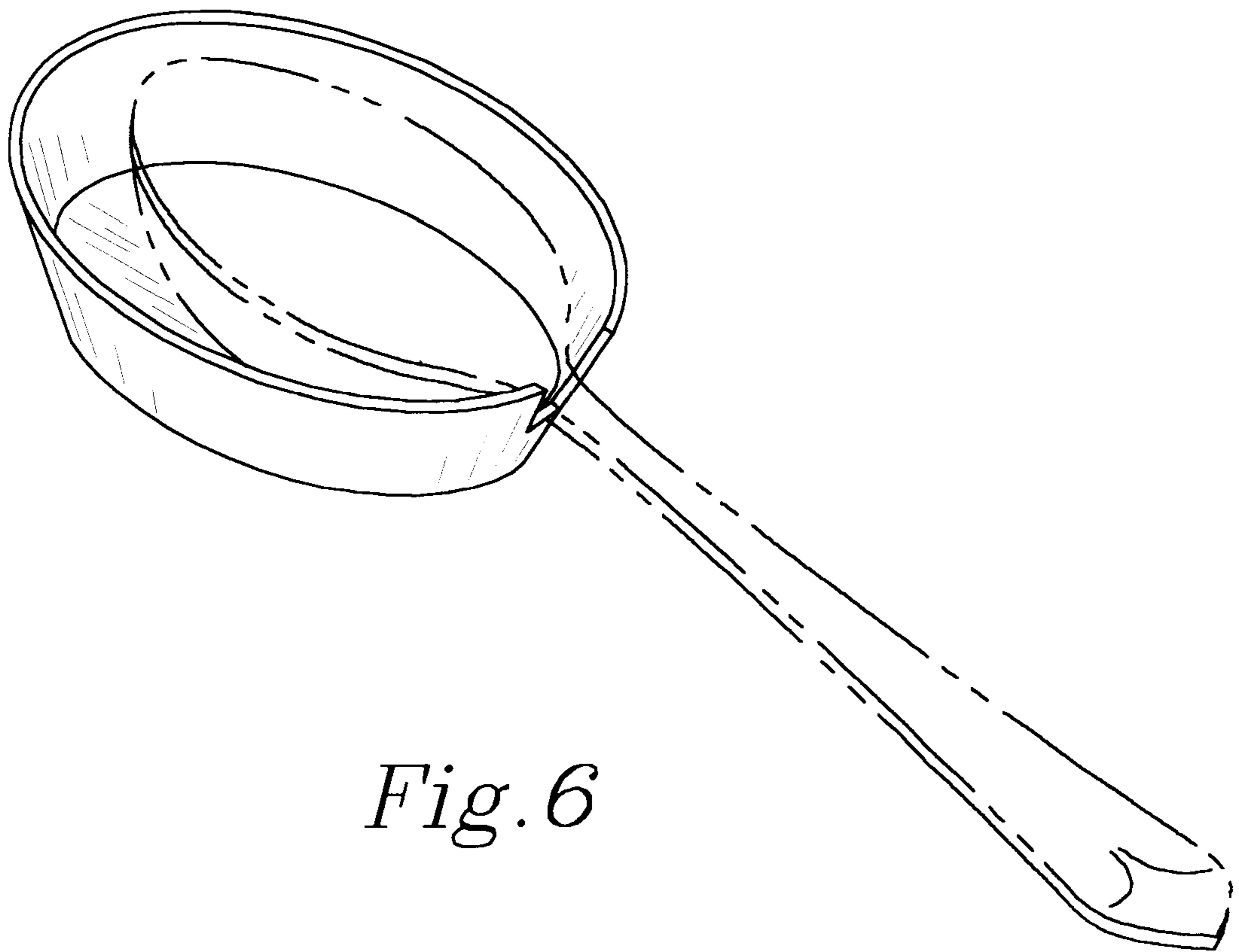
*Fig. 3*



*Fig. 4*



*Fig. 5*



*Fig. 6*