



US00D419394S

United States Patent [19]

Wilson et al.

[11] Patent Number: **Des. 419,394**

[45] Date of Patent: **** Jan. 25, 2000**

[54] TALL ROUND CONTAINER WITH LID

[75] Inventors: **Daniel C. Wilson**, Carmel, Ind.; **Jeffrey J. Zettle**, Bay City, Mich.; **Daniel E. Hodge**, Clare, Mich.; **Eric B. Schaper**, Midland, Mich.

[73] Assignee: **S. C. Johnson Home Storage Inc.**, Racine, Wis.

[**] Term: **14 Years**

[21] Appl. No.: **29/099,451**

[22] Filed: **Jan. 21, 1999**

[51] LOC (7) Cl. **07-07**

[52] U.S. Cl. **D7/629**

[58] Field of Search D7/601, 602, 629, D7/538-549; D9/415, 418, 424, 425, 428; 220/780-783, 792-794, 796-799, 805

[56] References Cited

U.S. PATENT DOCUMENTS

- D. 257,930 1/1981 Conti D7/629
- D. 309,554 7/1990 Meisner .

- D. 332,897 2/1993 Bucher et al. .
- D. 336,596 6/1993 Osgood .
- D. 344,210 2/1994 Cousins et al. .
- D. 352,423 11/1994 Laib .
- D. 353,521 12/1994 Booten .
- D. 367,589 3/1996 Zimmerman .
- D. 376,960 12/1996 Ferris .
- 5,425,467 6/1995 Feer et al. 220/793 X

Primary Examiner—Terry A. Wallace

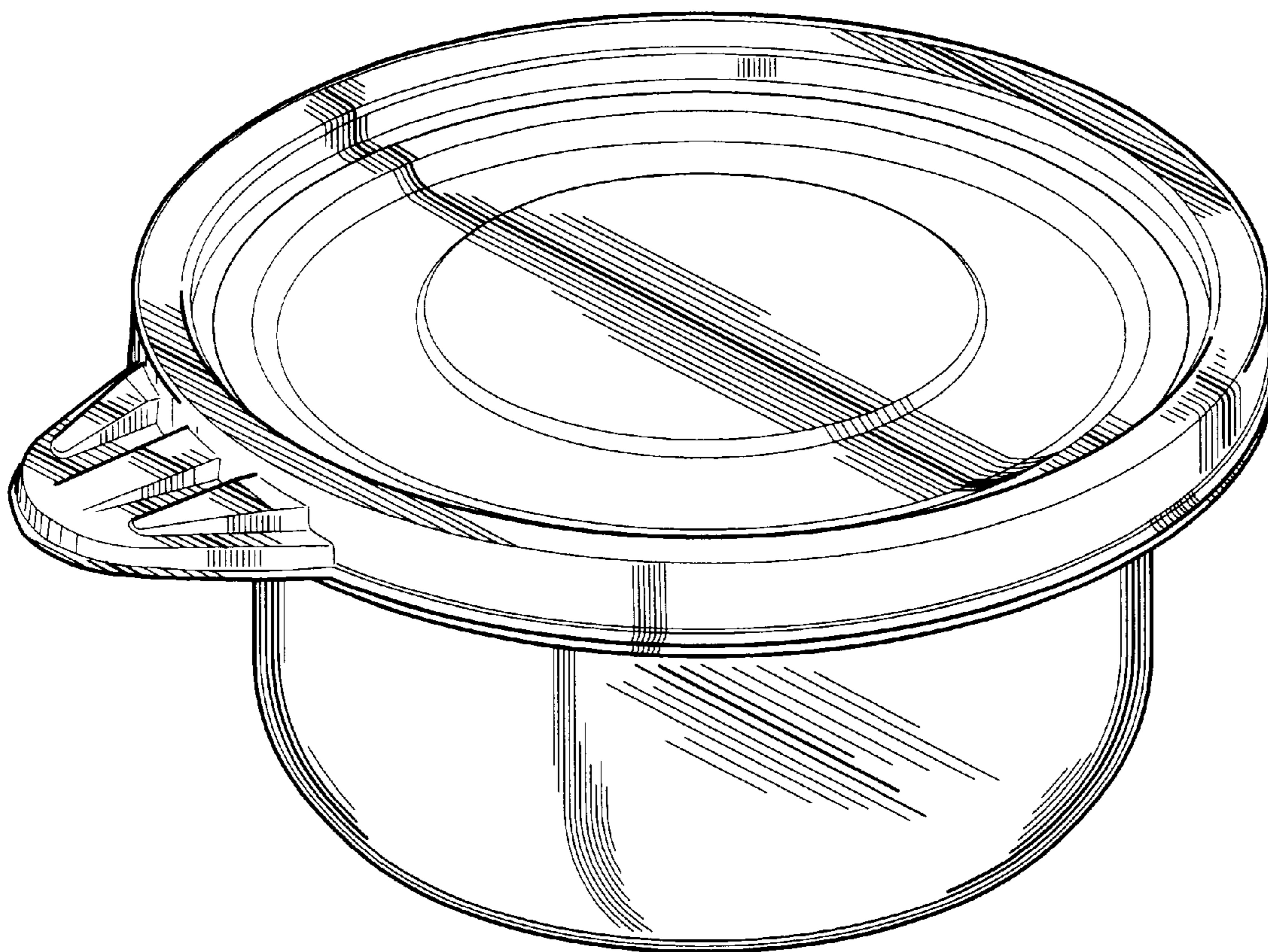
[57] CLAIM

The ornamental design for a tall round container with lid, as shown and described.

DESCRIPTION

FIG. 1 is a front perspective view illustrating a tall round container with lid constructed in accordance with the teachings of the present invention; FIG. 2 is a top plan view thereof; FIG. 3 is a bottom plan view thereof; FIG. 4 is a front view thereof; FIG. 5 is a rear view thereof; FIG. 6 is a left side view; and, FIG. 7 is a right side view thereof.

1 Claim, 4 Drawing Sheets



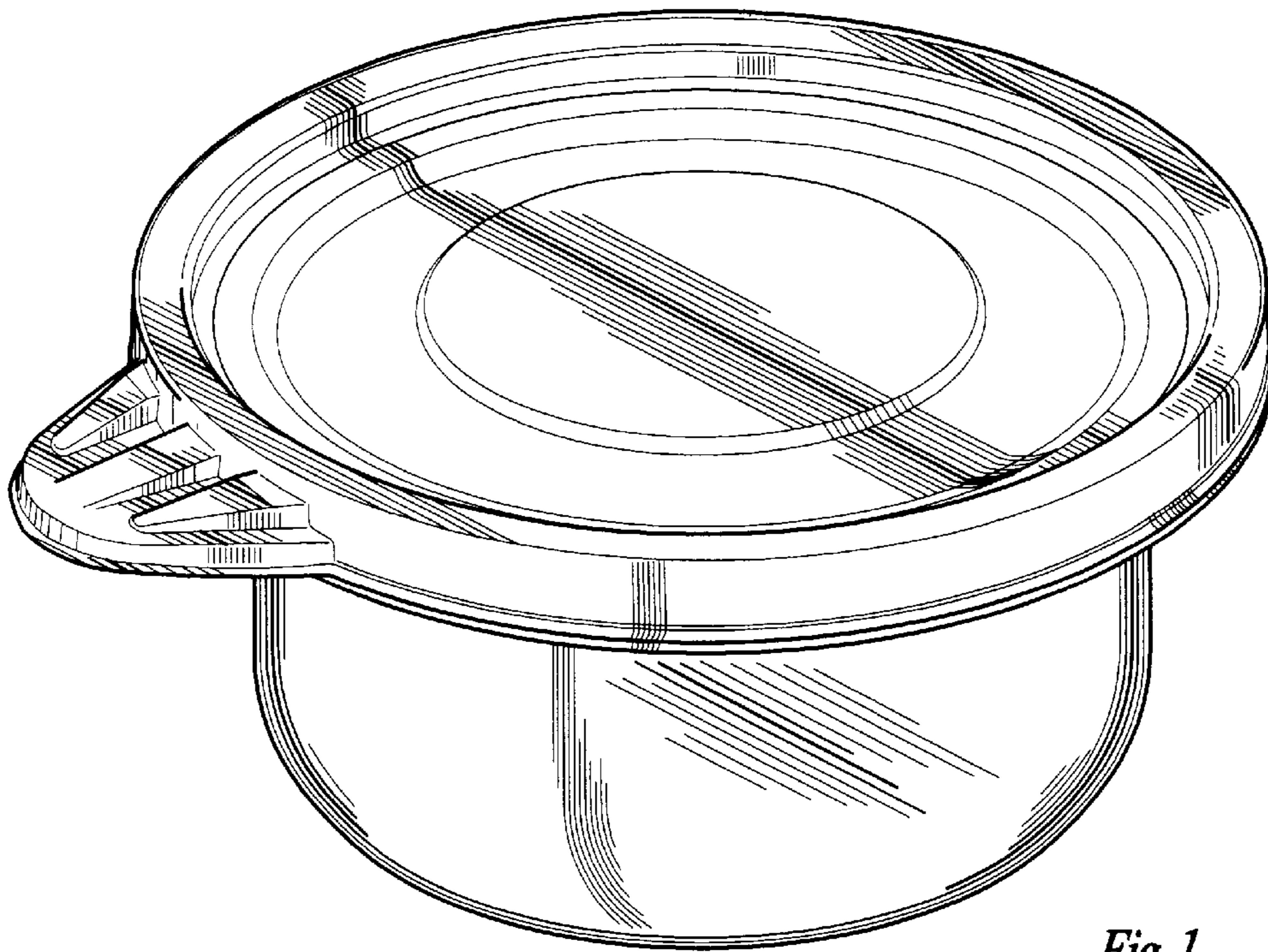


Fig-1

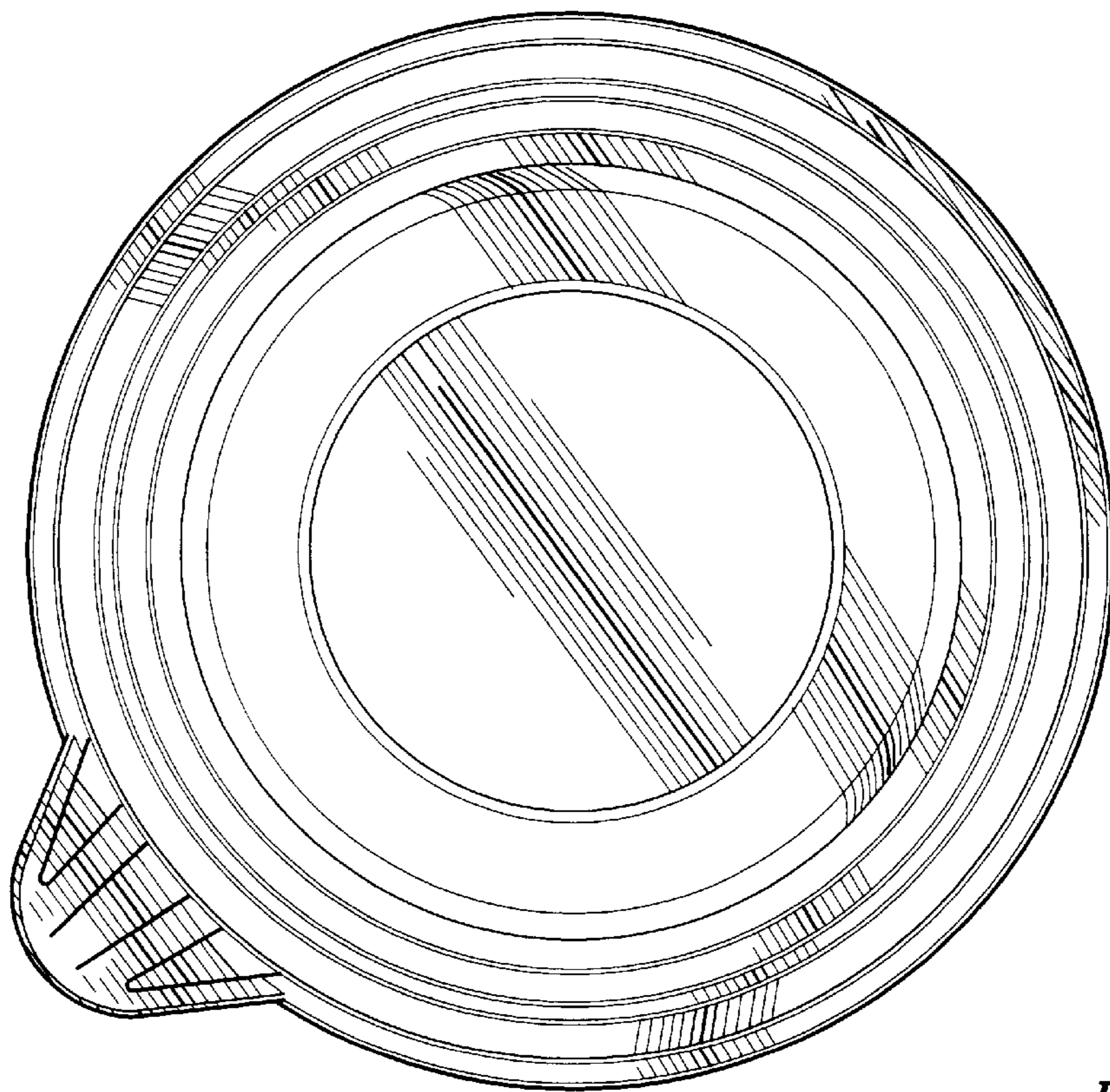


Fig-2

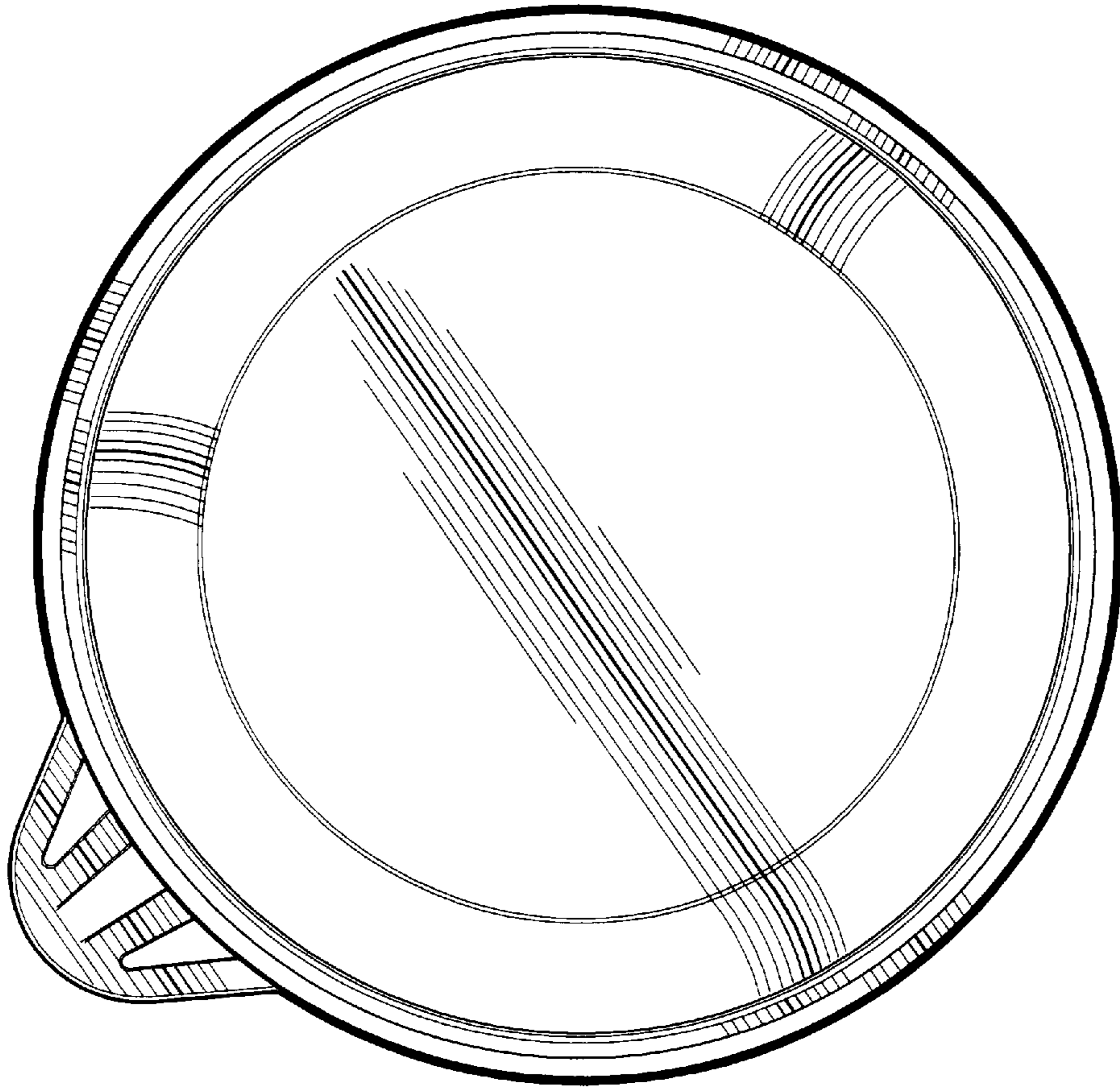


Fig-3

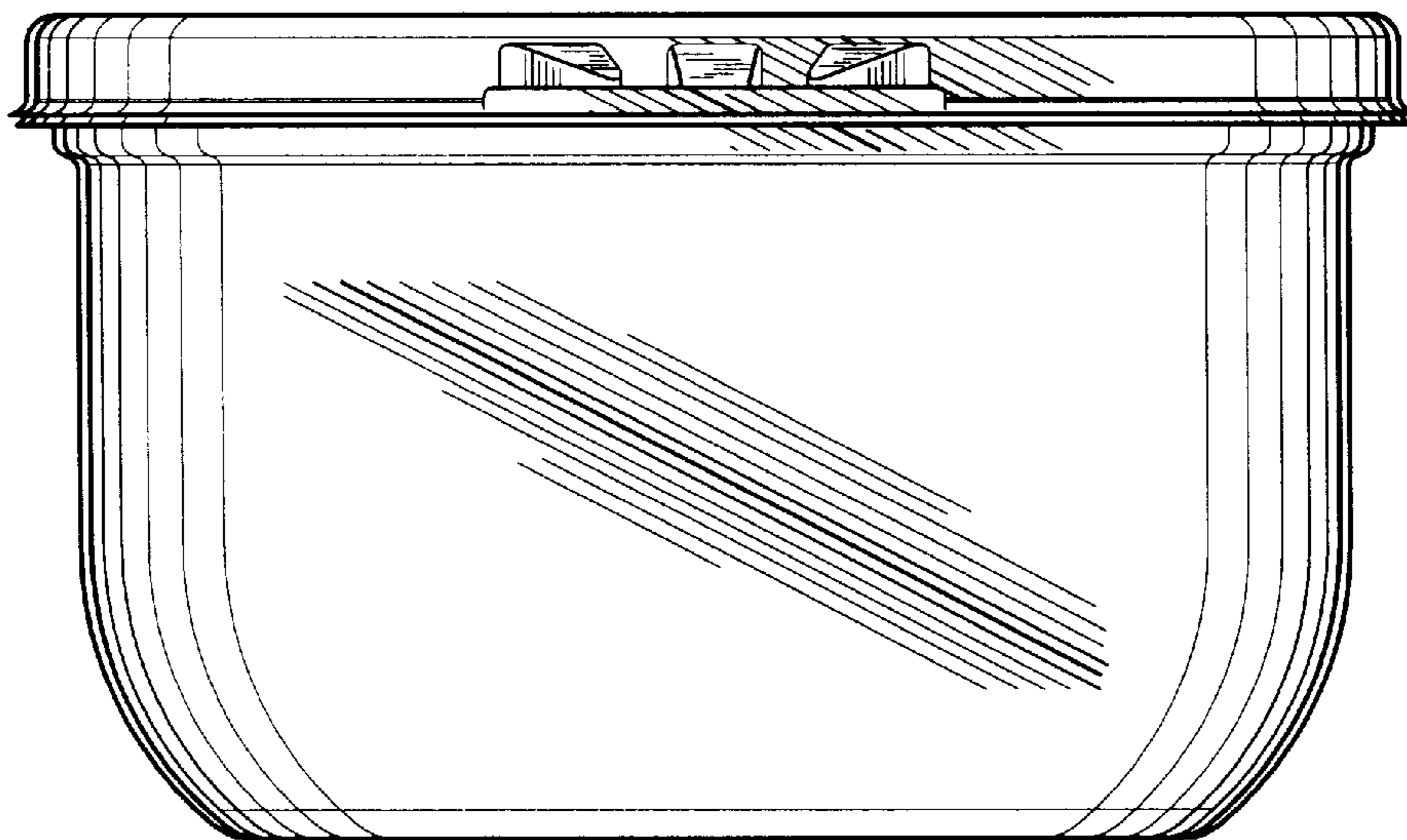


Fig-4

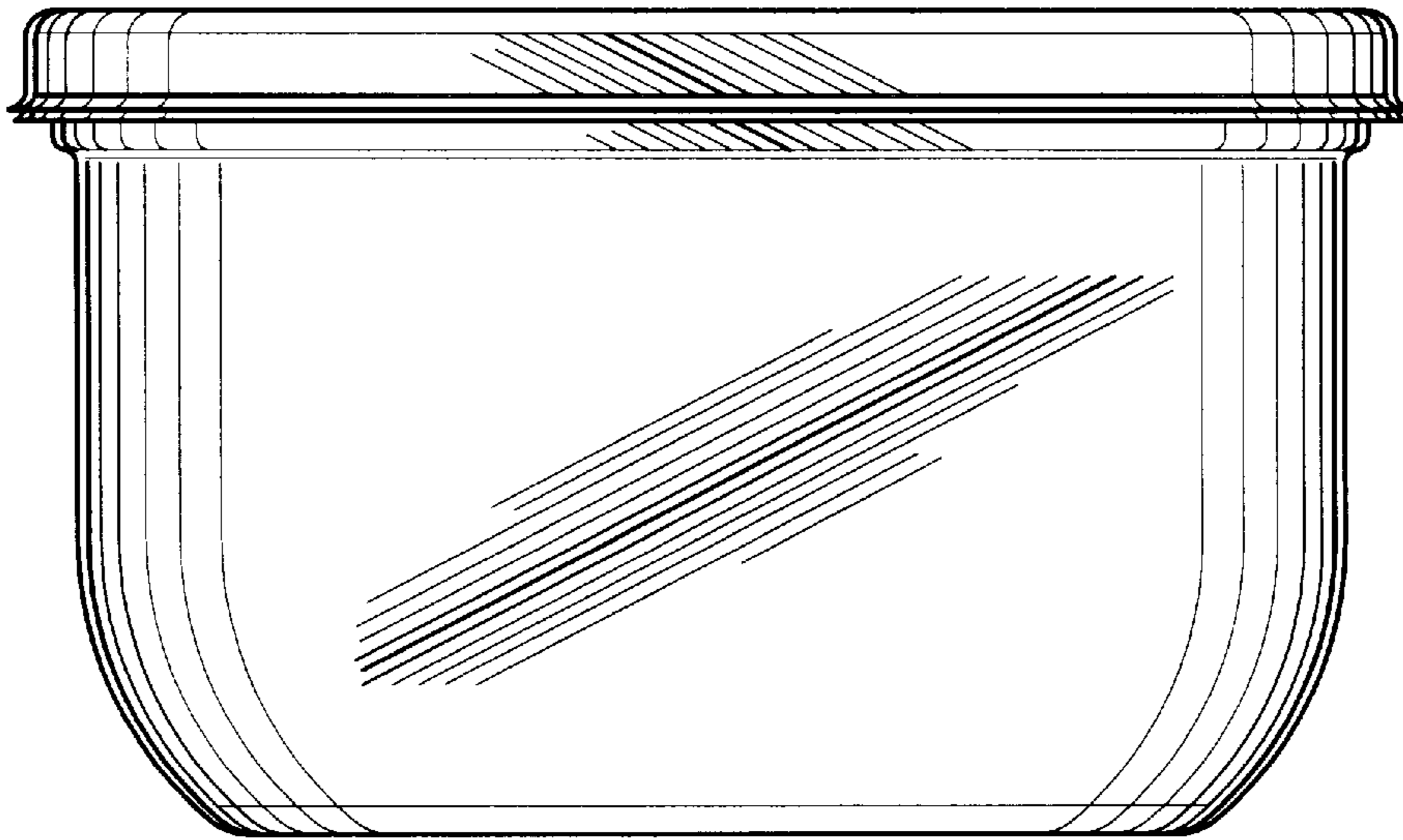


Fig-5

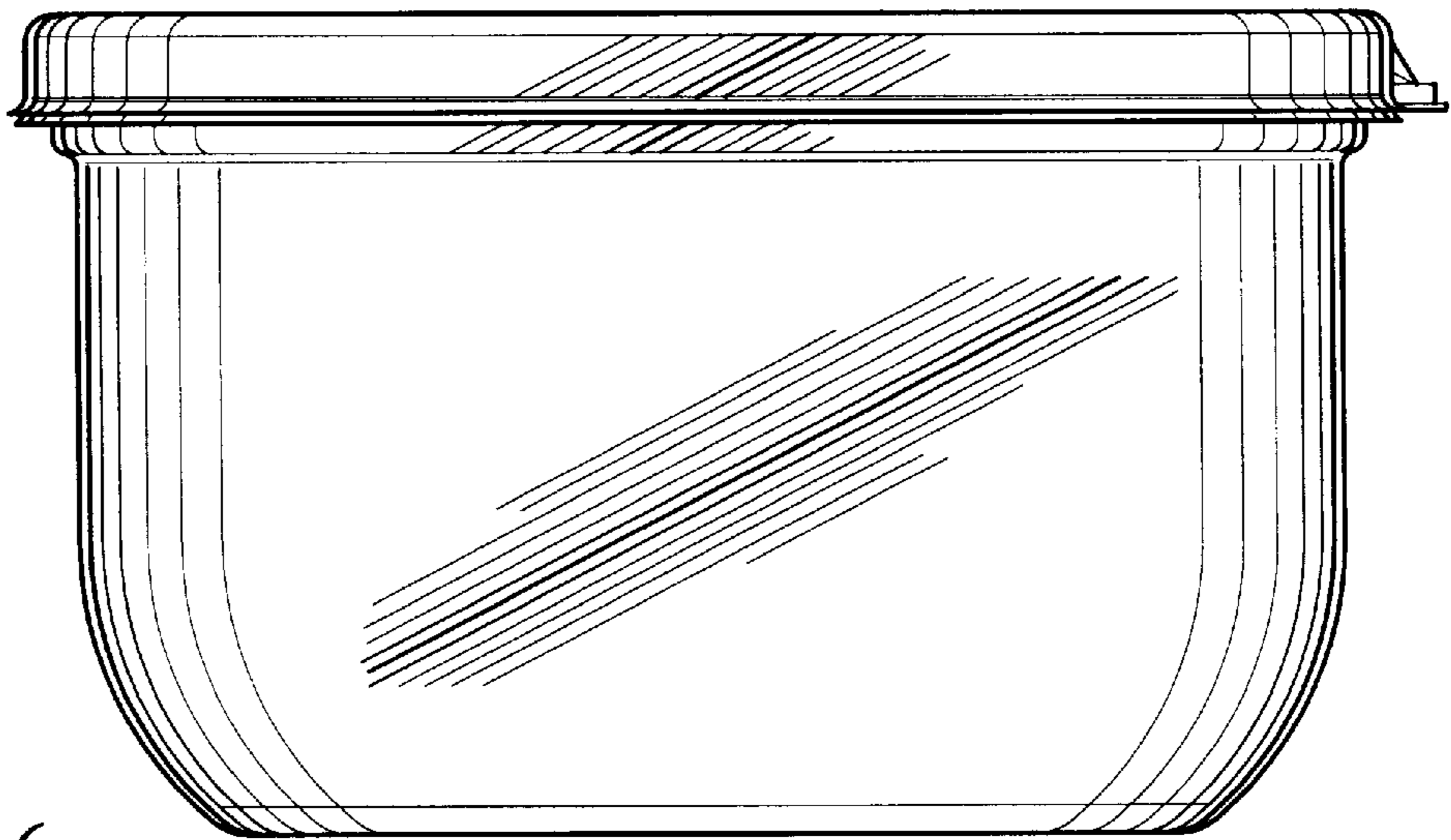


Fig-6

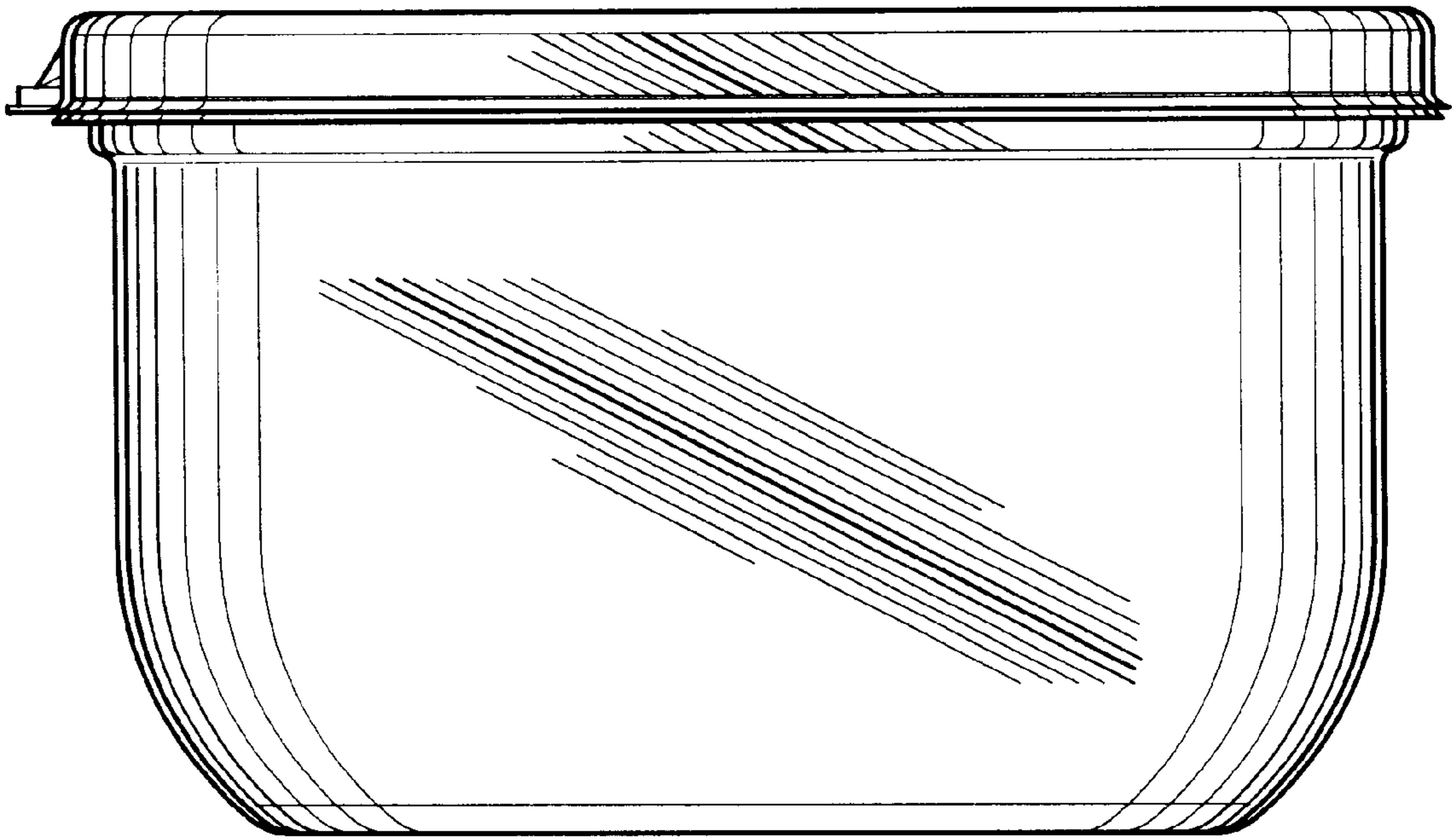


Fig-7