



US00D419393S

United States Patent [19] Lance

[11] **Patent Number: Des. 419,393**
[45] **Date of Patent: ** Jan. 25, 2000**

[54] **HOLDER FOR RECTANGULAR CONTAINER**

5,180,088 1/1993 De Angeli 224/544
5,326,064 7/1994 Sapien 248/311.2

[76] Inventor: **Andrew Adam Lance**, 101 W. Main St., Unit 3, Niantic, Conn. 06357

Primary Examiner—Terry A. Wallace
Attorney, Agent, or Firm—Amster, Rothstein & Ebenstein

[**] Term: **14 Years**

[57] **CLAIM**

[21] Appl. No.: **29/098,916**

The ornamental design for a holder for rectangular container, as shown and described.

[22] Filed: **Jan. 8, 1999**

DESCRIPTION

[51] **LOC (7) Cl.** **07-06**

[52] **U.S. Cl.** **D7/619**

[58] **Field of Search** D7/619-625; D9/455;
215/395-398; 220/737-739, 902, 903, 906,
907; 224/544, 926; 248/311.2

FIG. 1 is a top corner isometric view of a holder for rectangular container showing my new design;
FIG. 2 is a side elevational view thereof, all other side elevational views being identical;
FIG. 3 is a top plan view thereof; and,
FIG. 4 is a bottom plan view thereof.

The broken lines are for illustrative purposes only and form no part of the claimed design.

[56] **References Cited**

U.S. PATENT DOCUMENTS

D. 338,597 8/1993 Dickey et al. D7/620
D. 355,336 2/1995 Dickey et al. D7/620

1 Claim, 2 Drawing Sheets

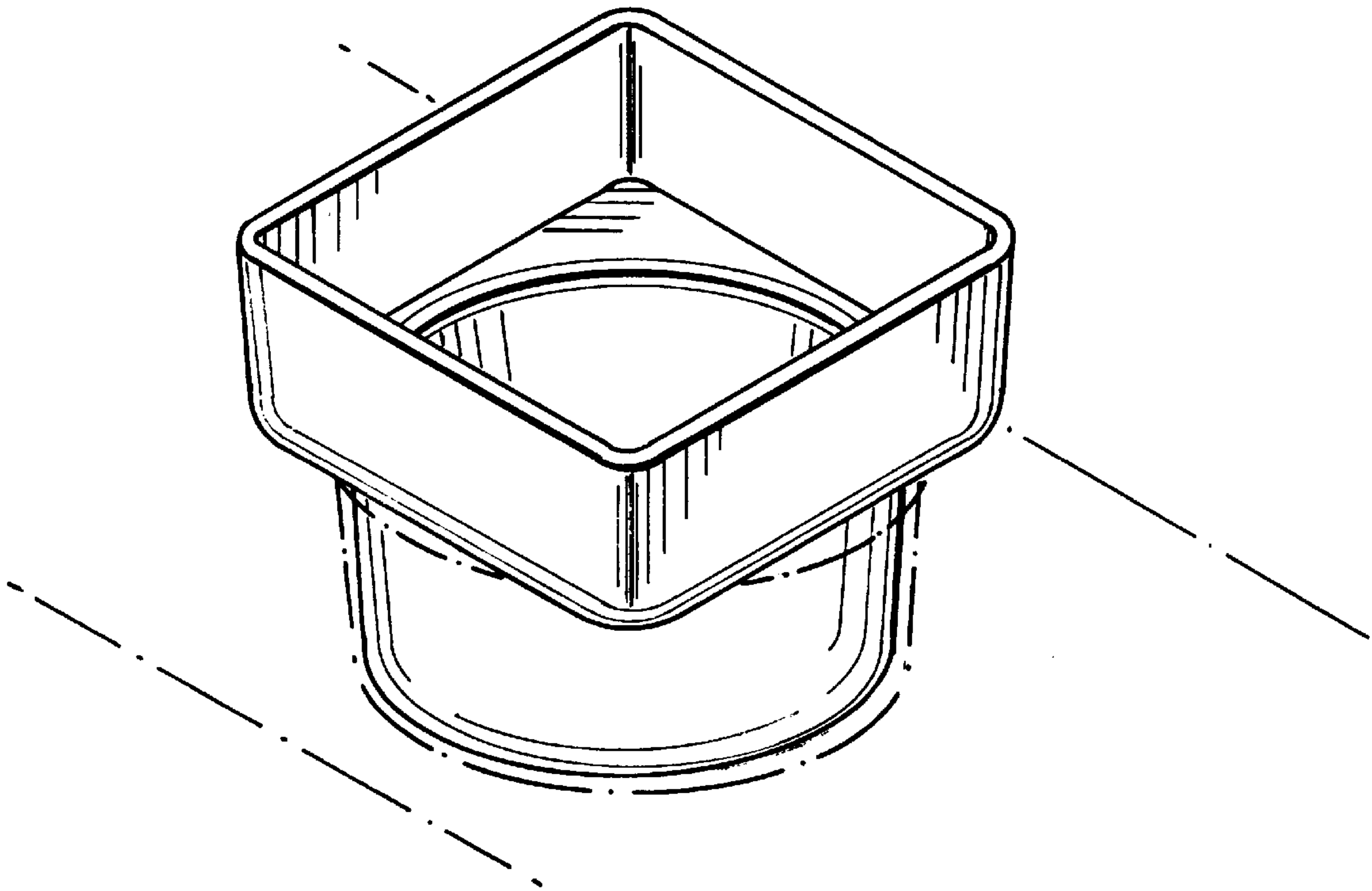


FIG. 1

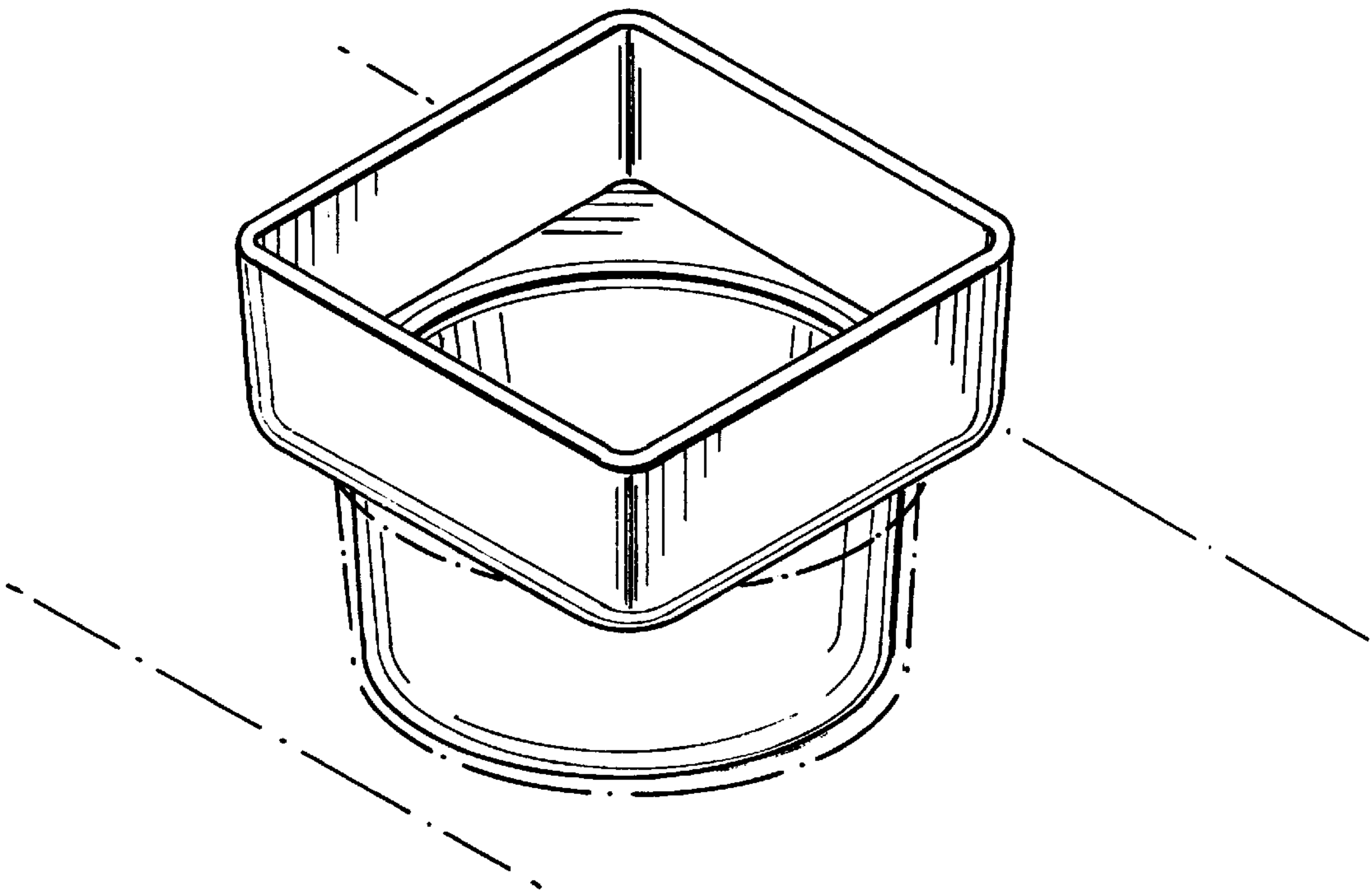
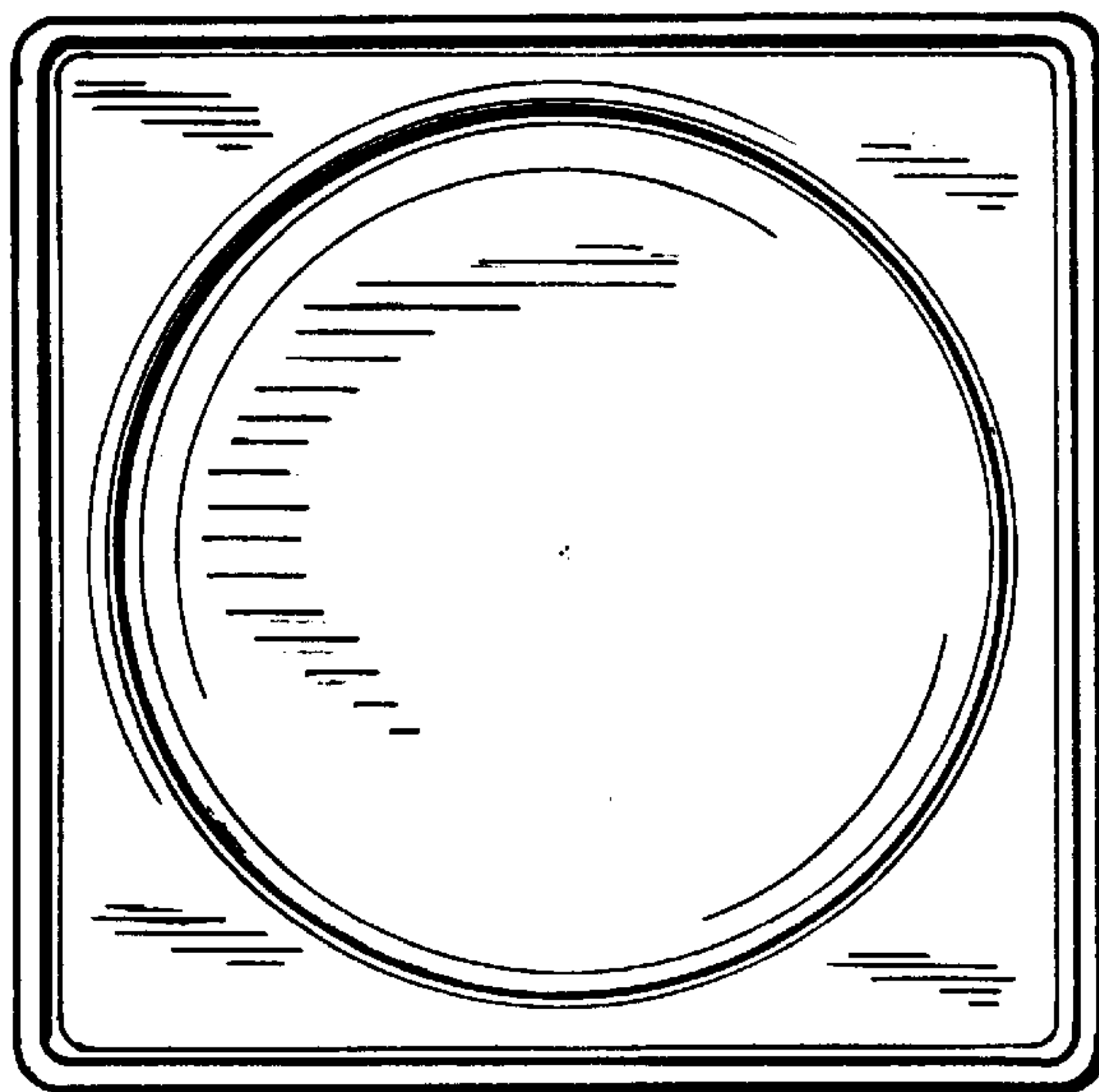


FIG. 4



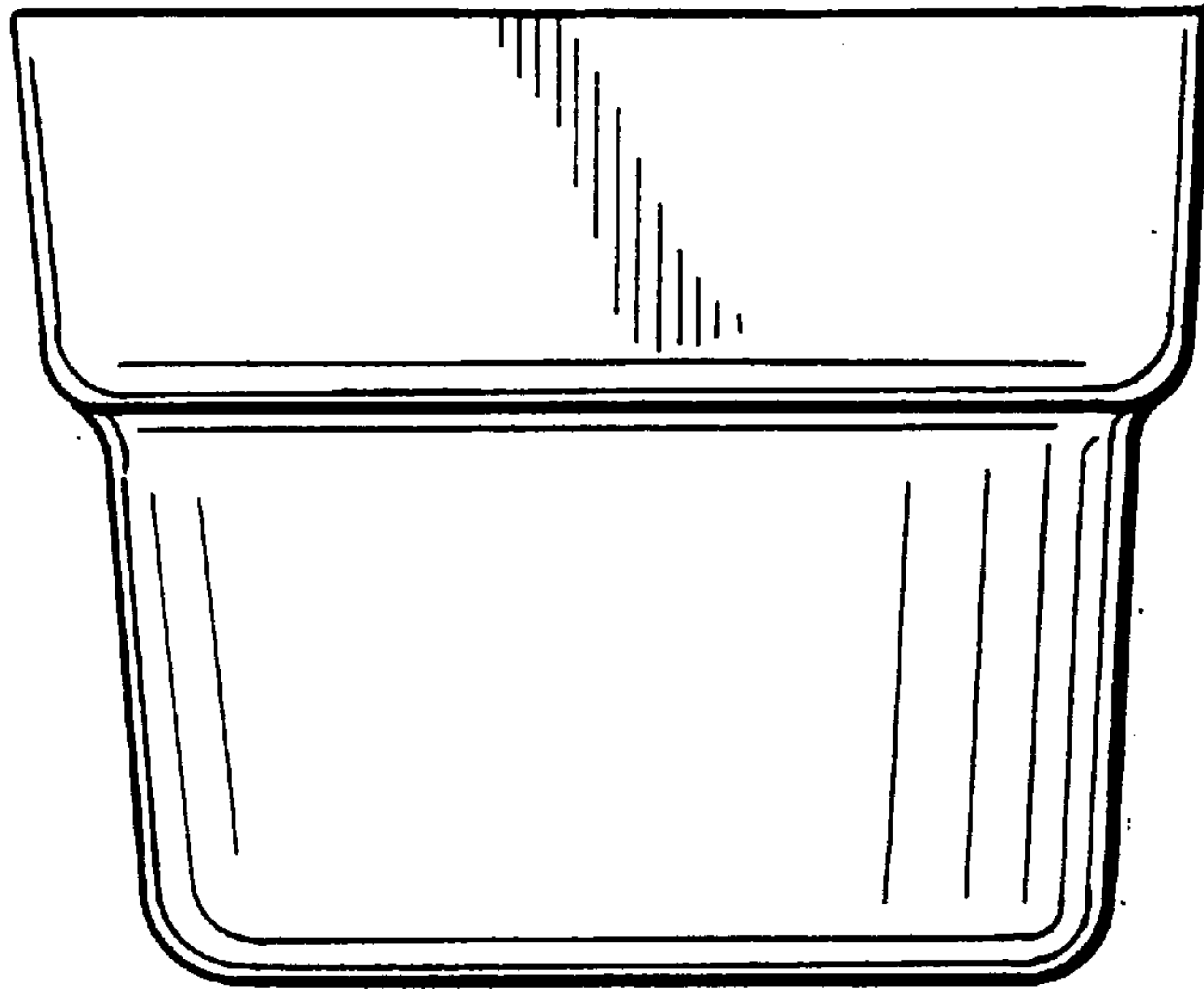


FIG. 2

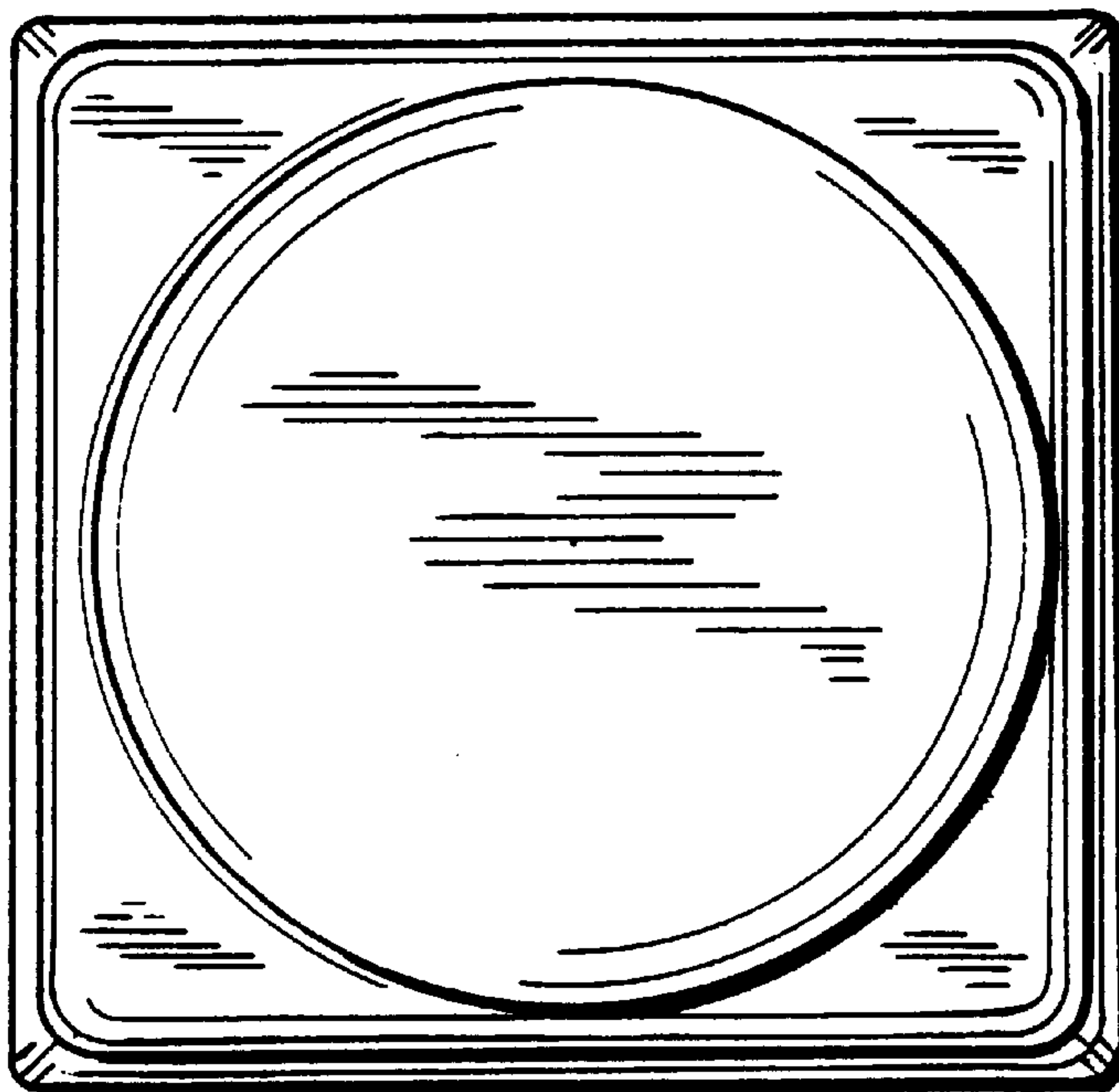


FIG. 3