



US00D419391S

United States Patent [19]
Tisdale

[11] **Patent Number: Des. 419,391**
[45] **Date of Patent: ** Jan. 25, 2000**

[54] **BREAD BOX**

D. 401,120 11/1998 Demore D7/609
4,034,890 7/1977 Baller 220/626
4,320,932 3/1982 Giffin 211/49.1

[75] Inventor: **David W. Tisdale**, Southport, Conn.

[73] Assignee: **M. Kamenstein, Inc.**, Elmsford, N.Y.

[**] Term: **14 Years**

Primary Examiner—Terry A. Wallace
Attorney, Agent, or Firm—Robert A. Koons, Jr.; James W. Bolcsak

[21] Appl. No.: **29/088,870**

[57] **CLAIM**

[22] Filed: **Jun. 2, 1998**

The ornamental design for a bread box, as shown and described.

[51] **LOC (7) Cl.** **07-07**

[52] **U.S. Cl.** **D7/609**

[58] **Field of Search** D7/609, 610; D9/424, D9/430-432; 211/49.1; 220/626, 334

DESCRIPTION

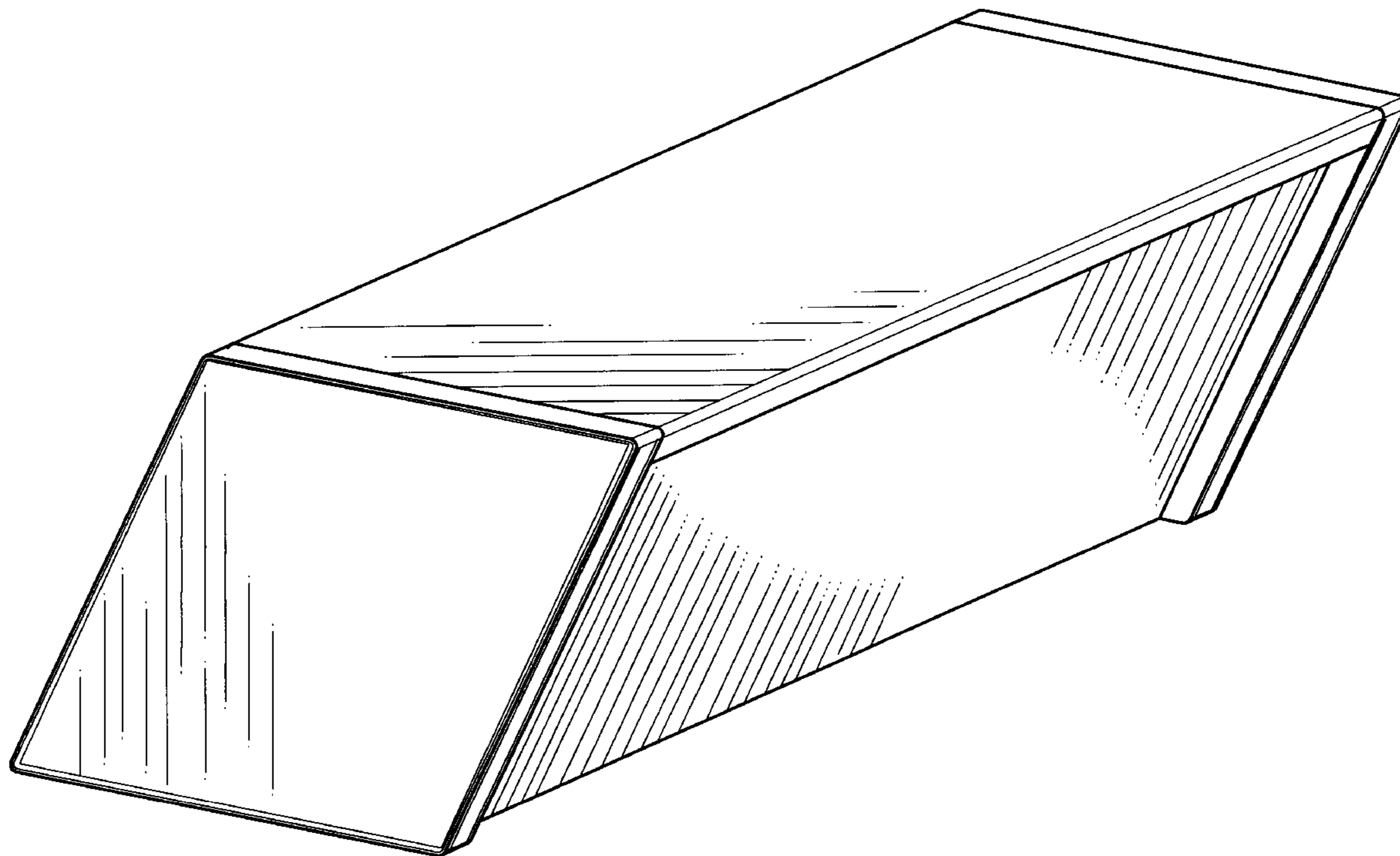
[56] **References Cited**

U.S. PATENT DOCUMENTS

- D. 283,481 4/1986 Schmidt D7/609
- D. 355,335 2/1995 Blount et al. D7/609
- D. 370,728 6/1996 Edgar et al. D7/609 X
- D. 371,278 7/1996 Jørgensen .
- D. 372,399 8/1996 Wang .

FIG. 1 is a perspective view of a bread box showing my new design;
FIG. 2 is a front elevational view of the bread box;
FIG. 3 is a rear elevational view of the bread box;
FIG. 4 is a top plan view of the bread box;
FIG. 5 is a right side elevational view of the bread box;
FIG. 6 is a left side elevational view of the bread box; and,
FIG. 7 is a bottom plan view of the bread box.

1 Claim, 7 Drawing Sheets



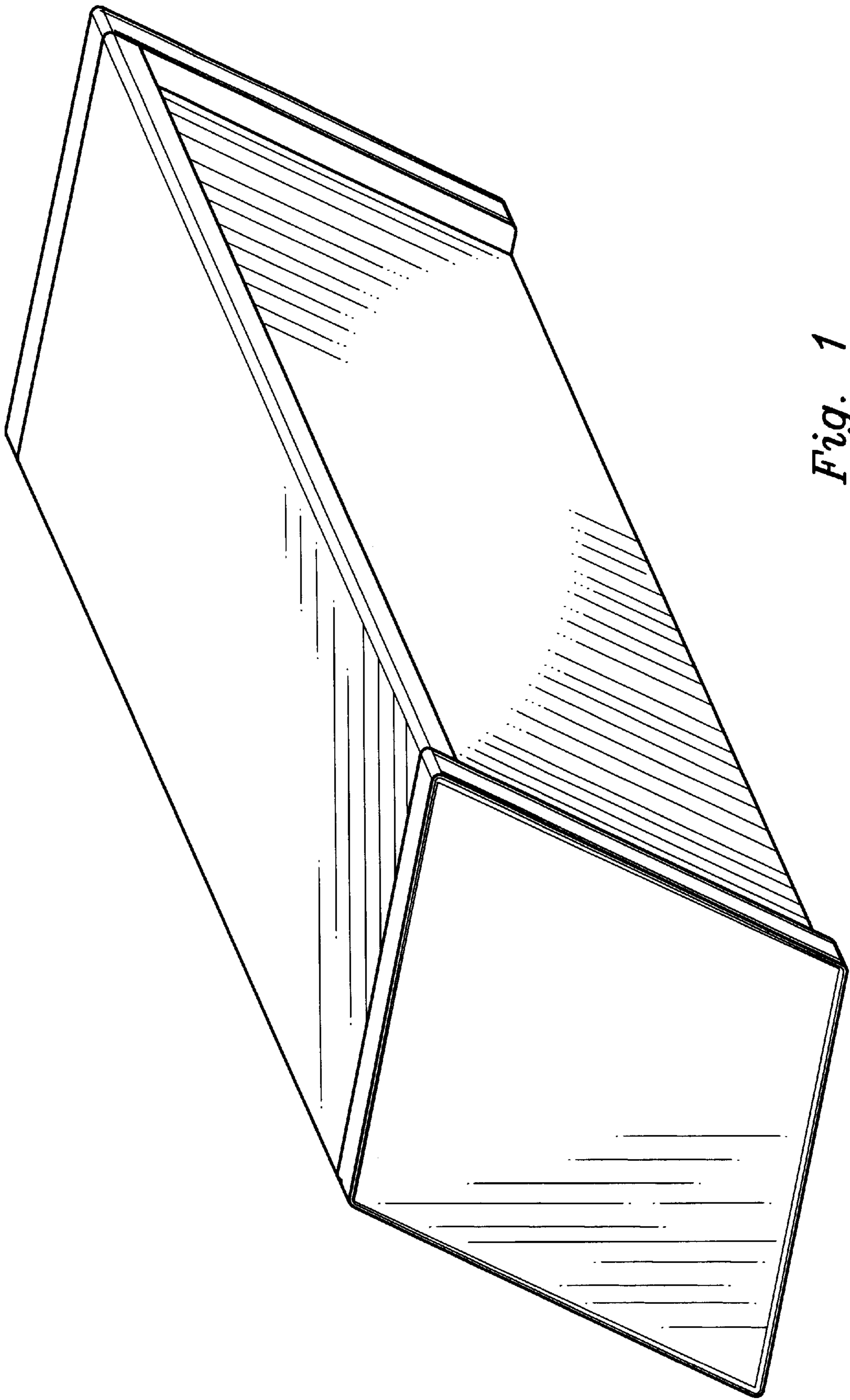


Fig. 1

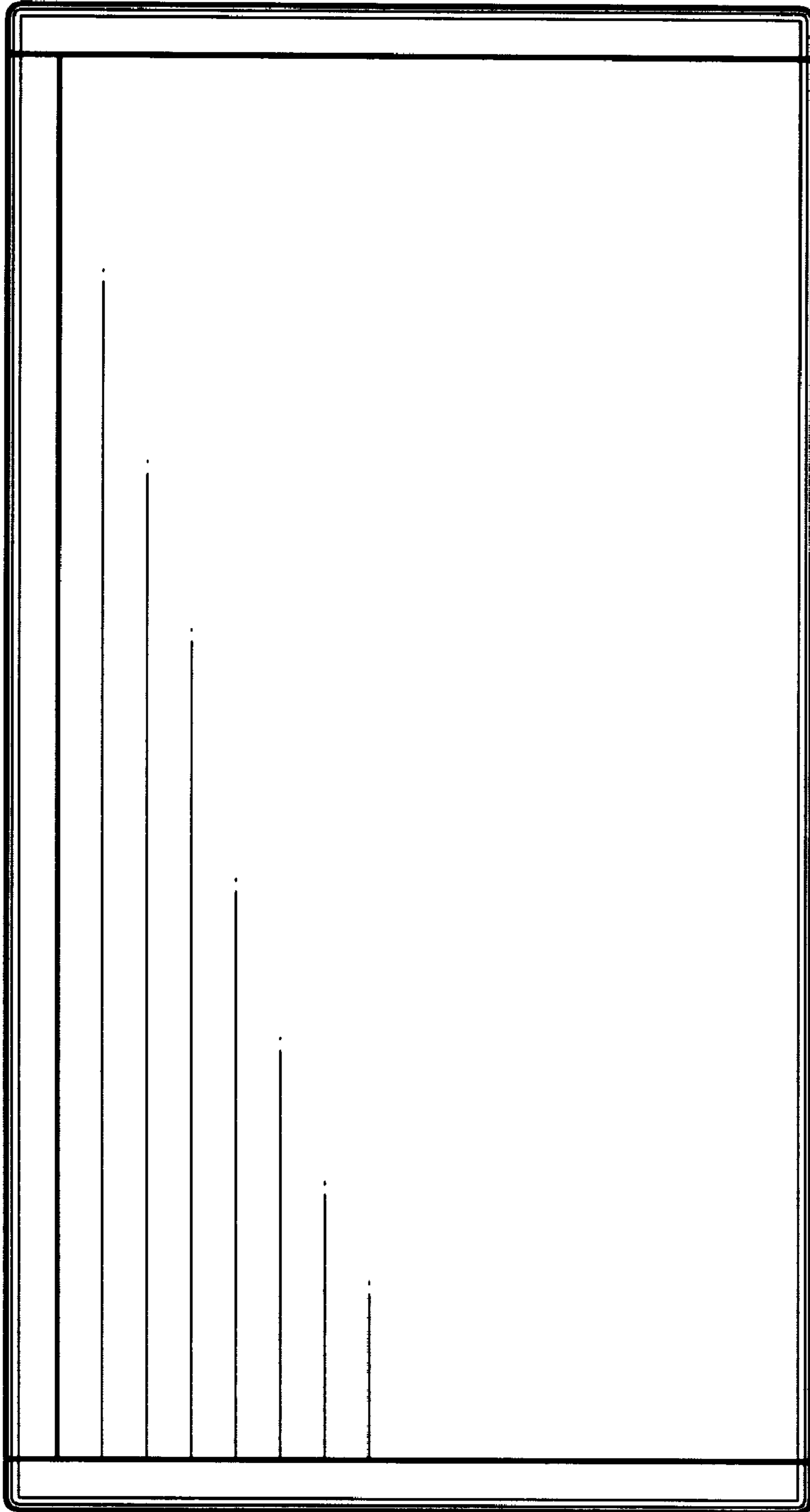


Fig. 2

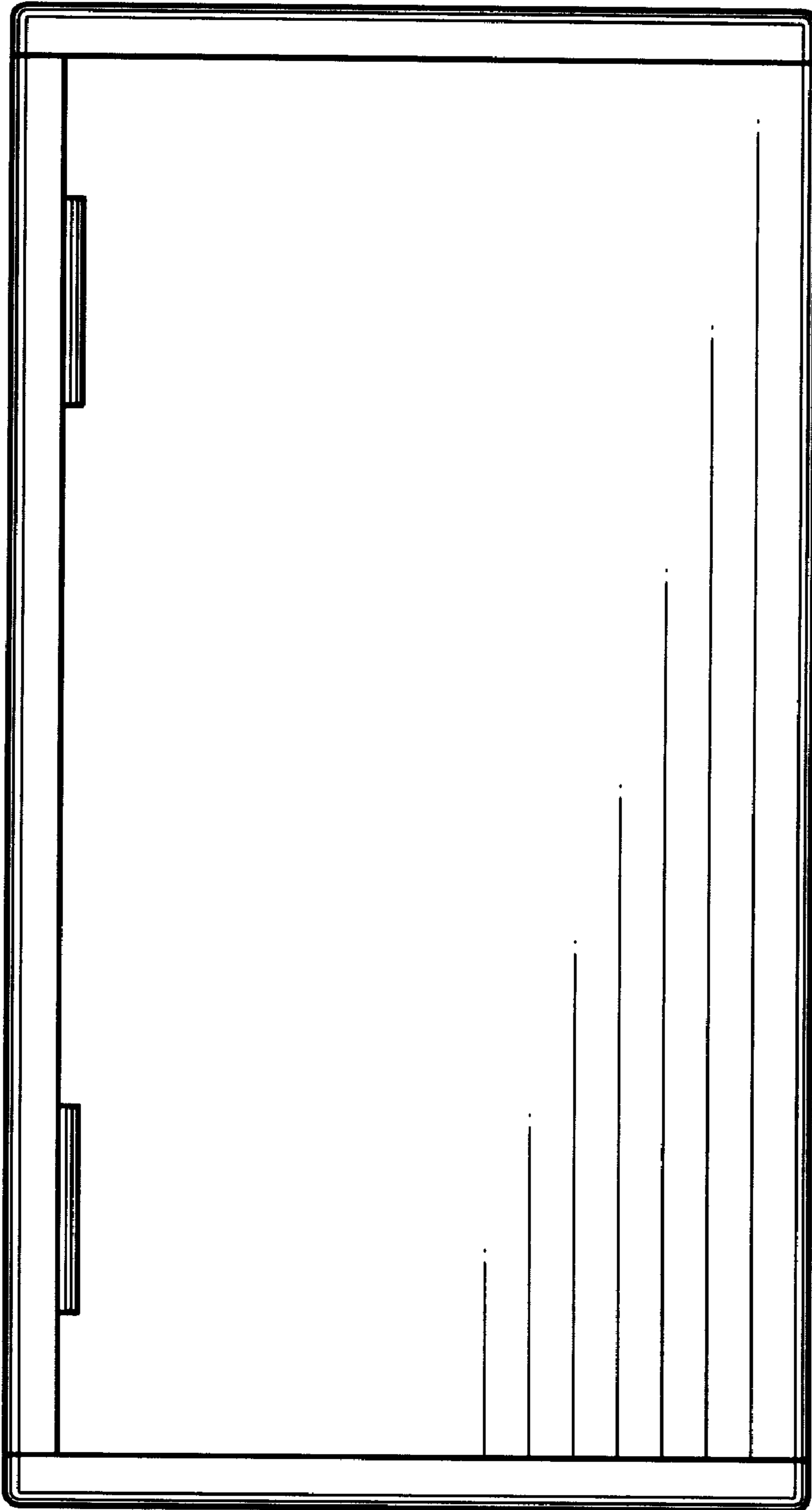


Fig. 3

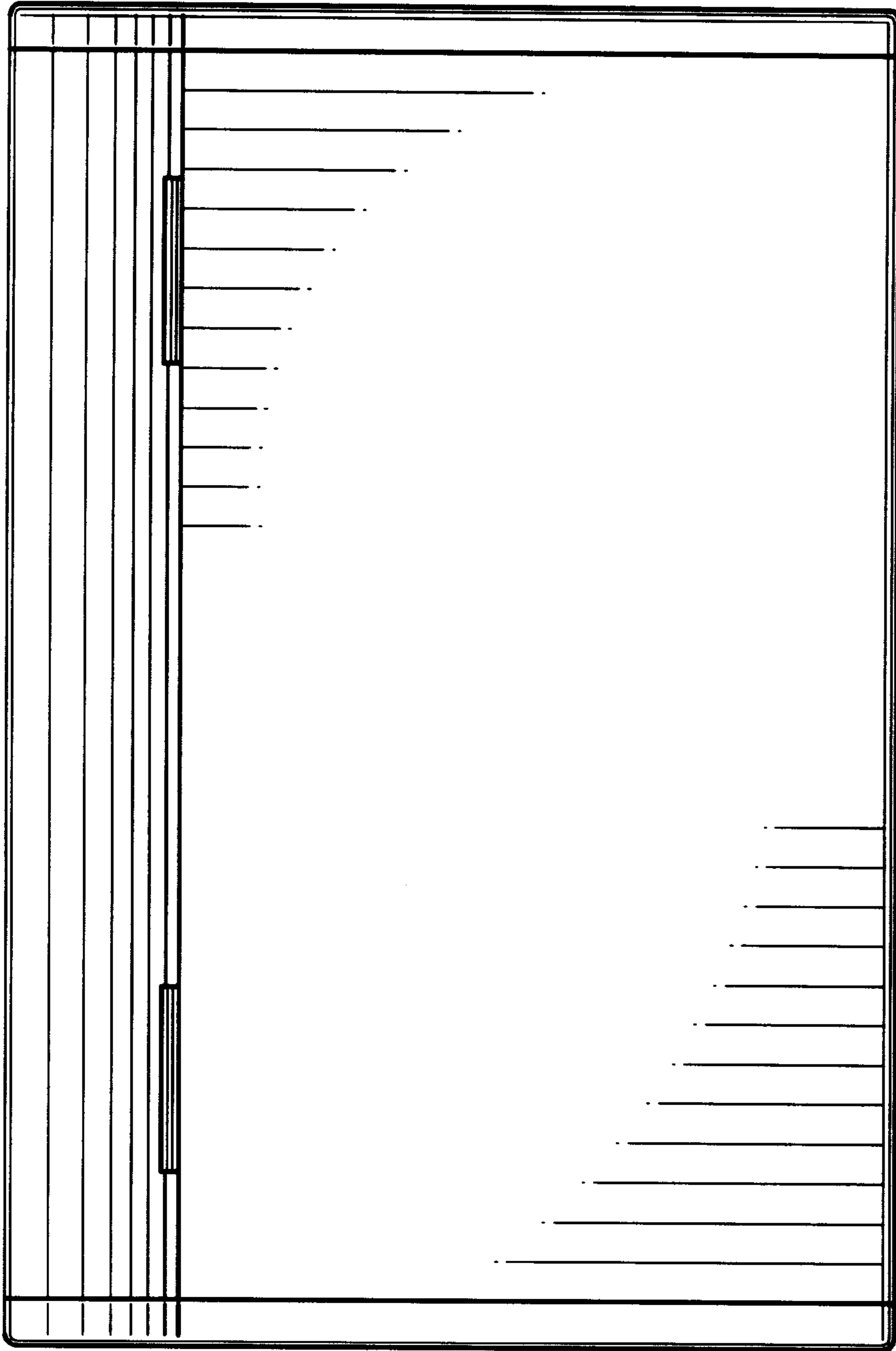


Fig. 4

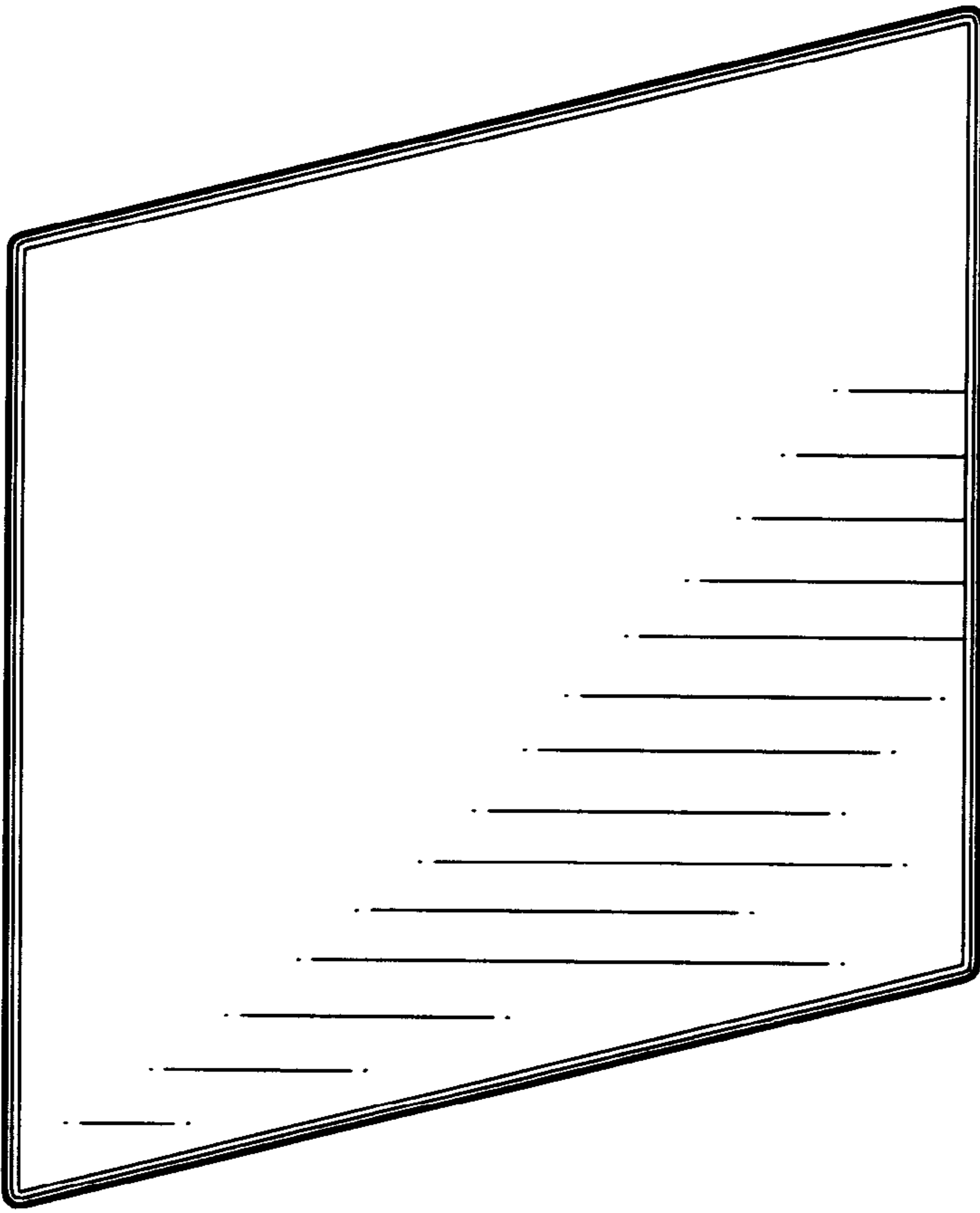


Fig. 5

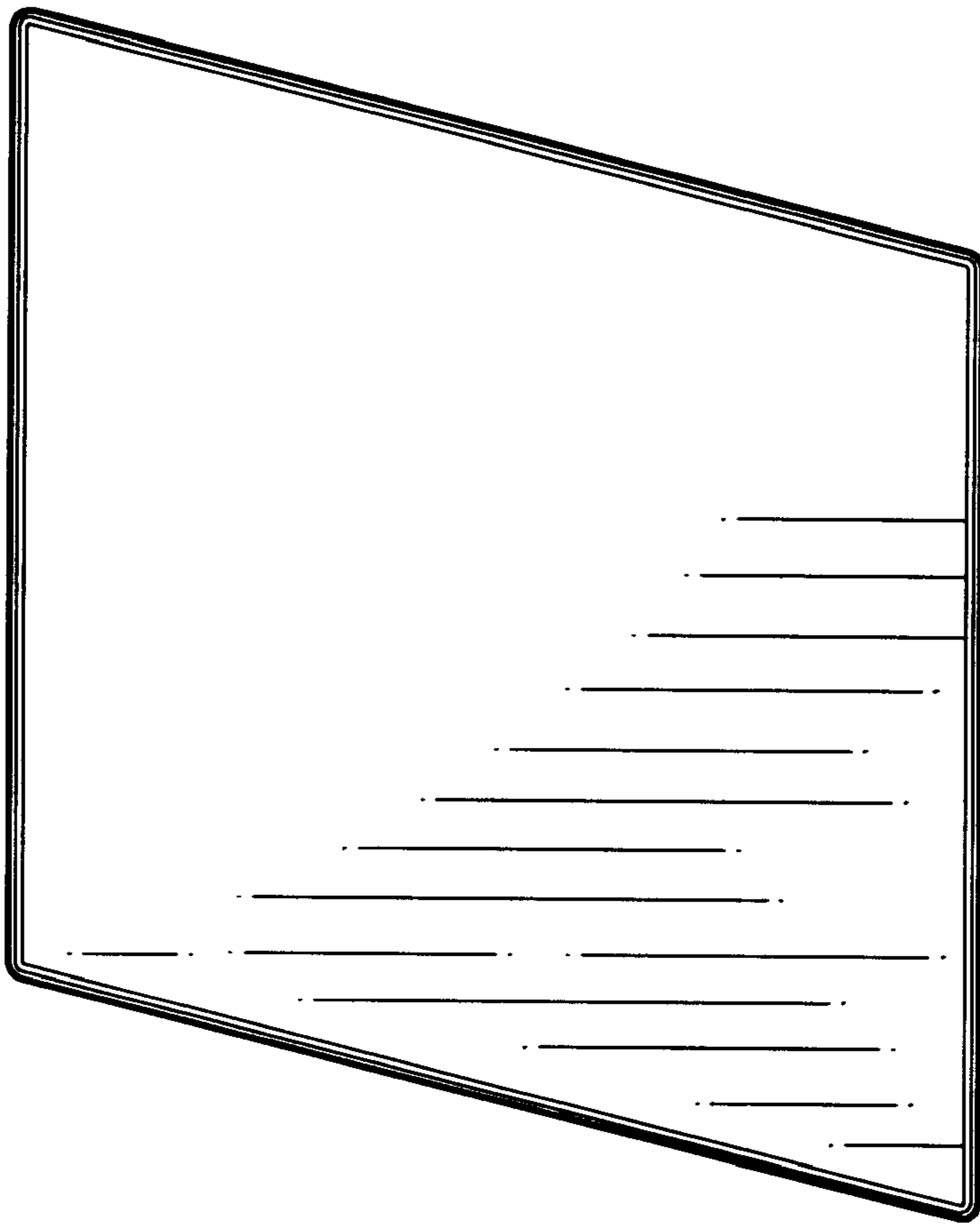


Fig. 6

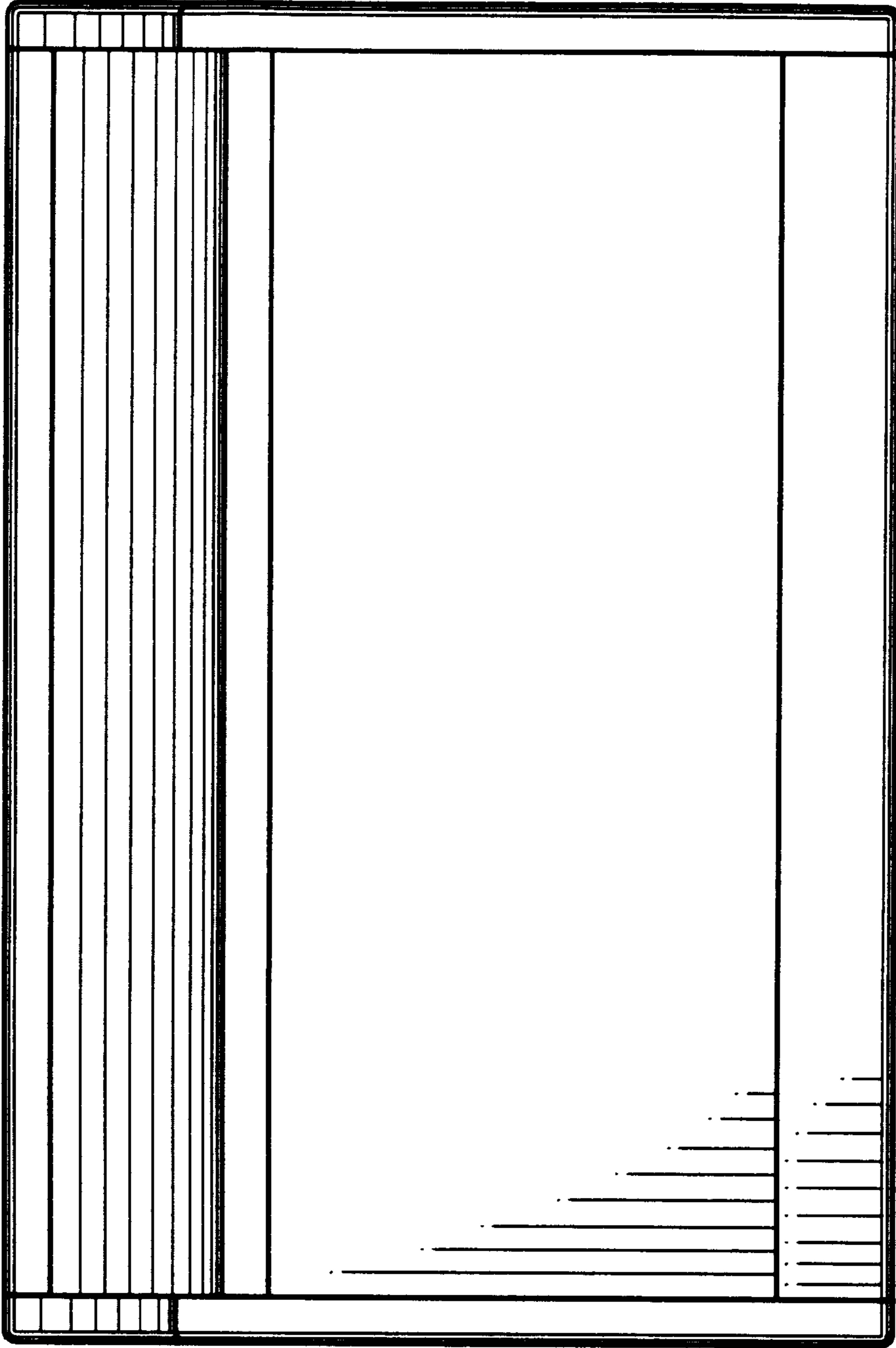


Fig. 7