



US00D419386S

United States Patent [19] Bouleuc

[11] **Patent Number: Des. 419,386**

[45] **Date of Patent: ** Jan. 25, 2000**

[54] **SIGNATURE ICE BUCKET**

[75] Inventor: **Thomas Bouleuc**, 75011 Paris, France

[73] Assignee: **Schieffelin & Co.**, New York, N.Y.

[**] Term: **14 Years**

[21] Appl. No.: **29/104,121**

[22] Filed: **Apr. 28, 1999**

[30] **Foreign Application Priority Data**

Nov. 6, 1998 [WO] WIPO 128220501

[51] **LOC (7) Cl.** **07-01**

[52] **U.S. Cl.** **D7/603**

[58] **Field of Search** D7/603, 604, 539-548;
D9/455; 62/457.1, 457.8, 371; 220/739,
737

[56] **References Cited**

U.S. PATENT DOCUMENTS

D. 367,996 3/1996 Rausch D7/603 X
D. 373,513 9/1996 Joergensen D7/603

OTHER PUBLICATIONS

Copy of U.S. Reg. No. 1,820,083.
Photographs of Front and Back of Champagne Bottle.

Primary Examiner—Terry A. Wallace

Attorney, Agent, or Firm—Fross Zelnick Lehrman & Zissu, P.C.; Lawrence E. Apolzon, Esq.

[57] **CLAIM**

The ornamental design for a signature ice bucket, as shown and described.

DESCRIPTION

FIG. 1 is a perspective view of an embodiment of the design incorporating a bow design; (which is a trademark owned by the Assignee of this invention).

FIG. 2 is a top view of this embodiment;

FIG. 3 is a bottom view of this embodiment;

FIG. 4 is a front view of this embodiment;

FIG. 5 is a back view of this embodiment;

FIG. 6 is a side view of this embodiment;

FIG. 7 is the other side view of this embodiment;

FIG. 8 is a perspective view of an alternative embodiment of the design without the bow design;

FIG. 9 is a top view of the alternative embodiment;

FIG. 10 is a bottom view of the alternative embodiment;

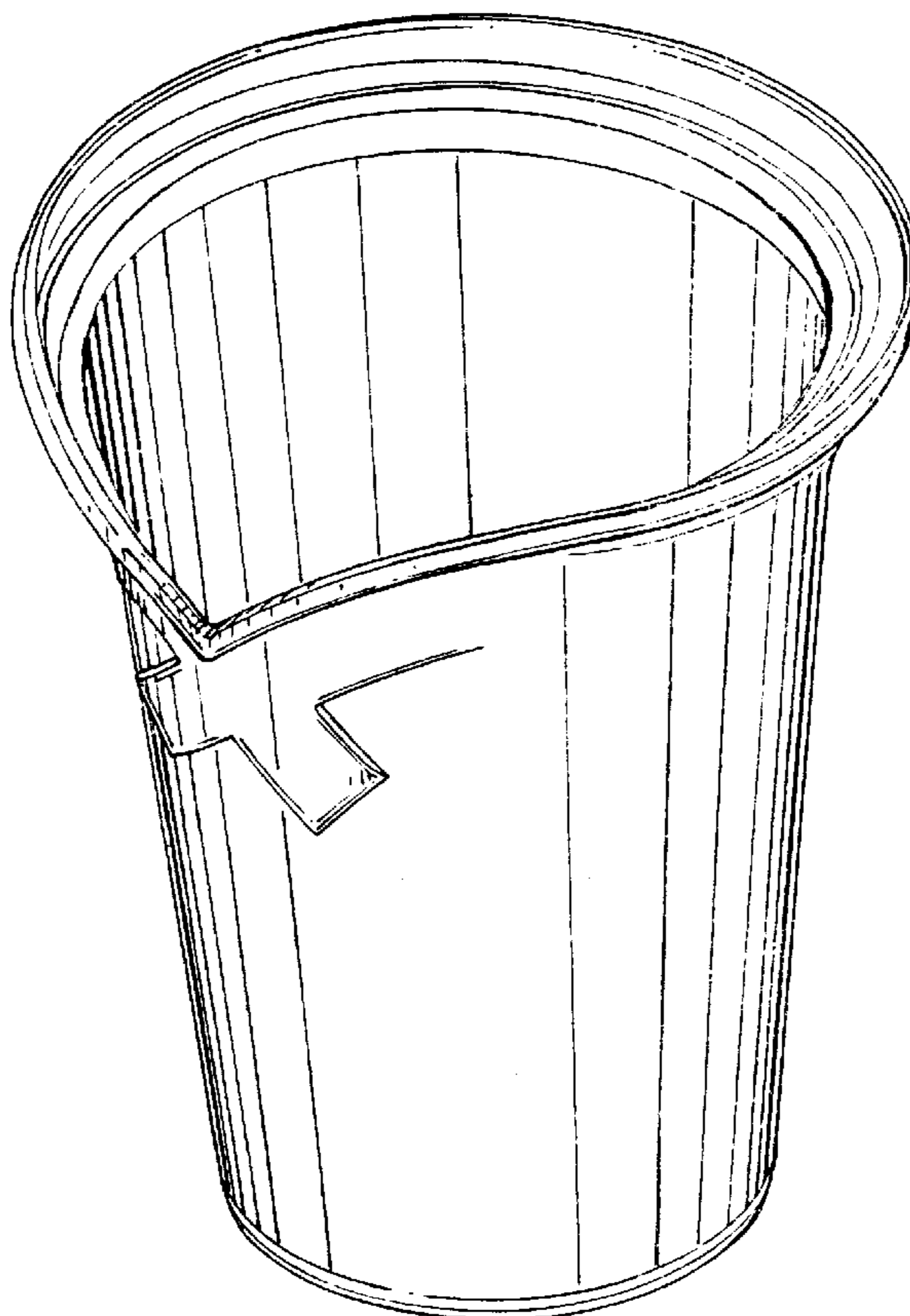
FIG. 11 is a front view of the alternative embodiment;

FIG. 12 is a back view of the alternative embodiment;

FIG. 13 is a side view of the alternative embodiment; and,

FIG. 14 is the other side view of the alternative embodiment.

1 Claim, 8 Drawing Sheets



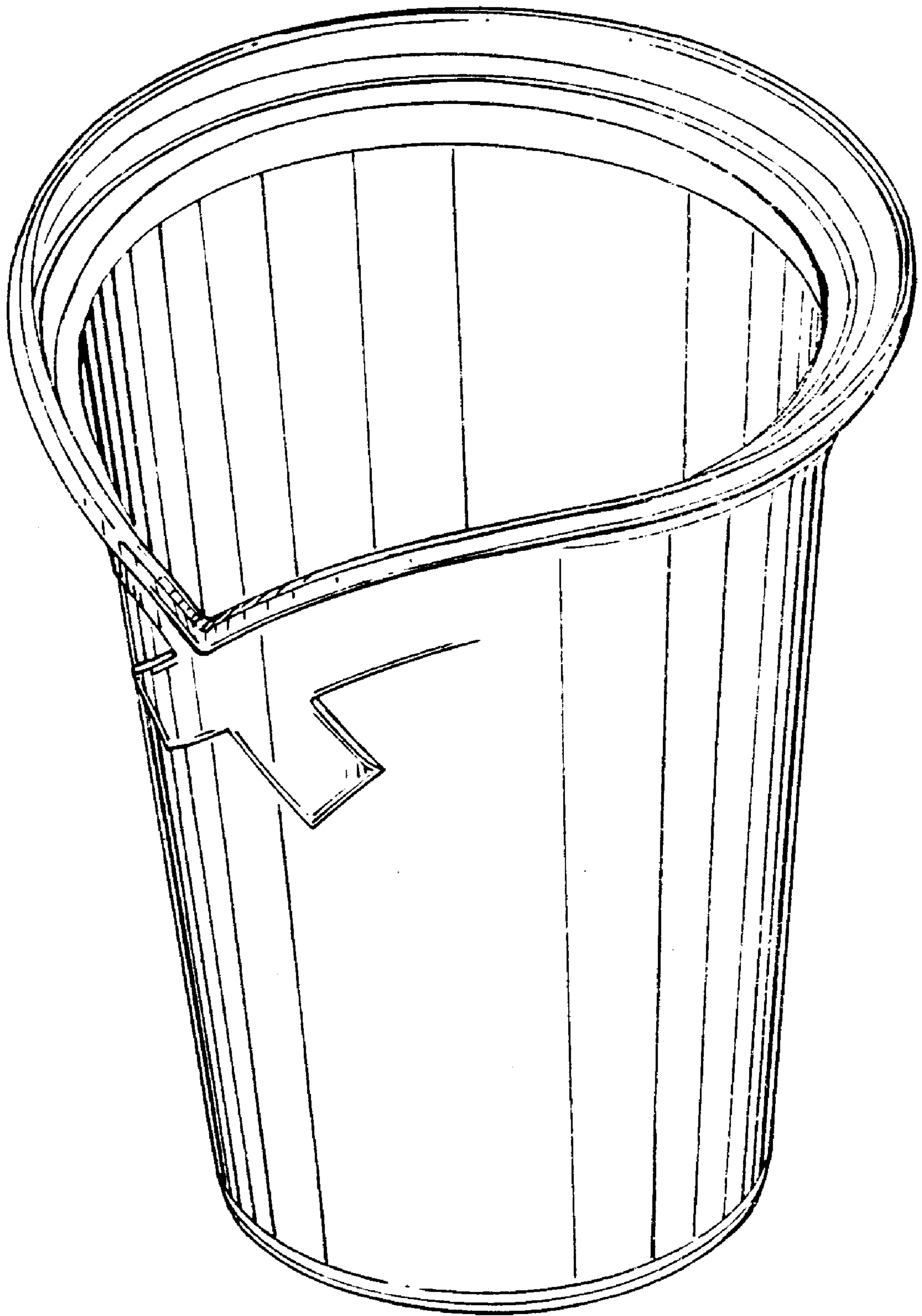


FIG. 1

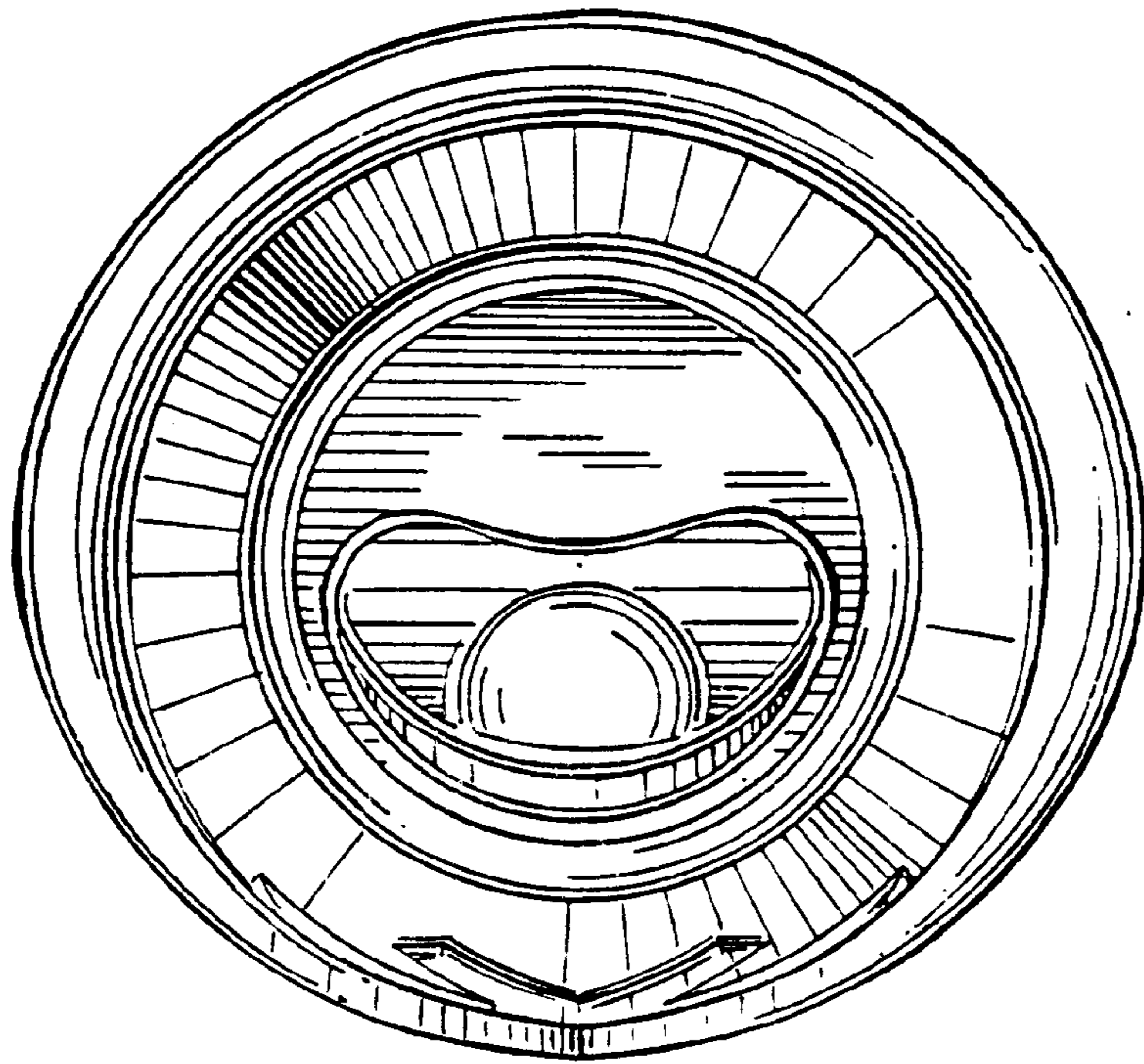


FIG. 2

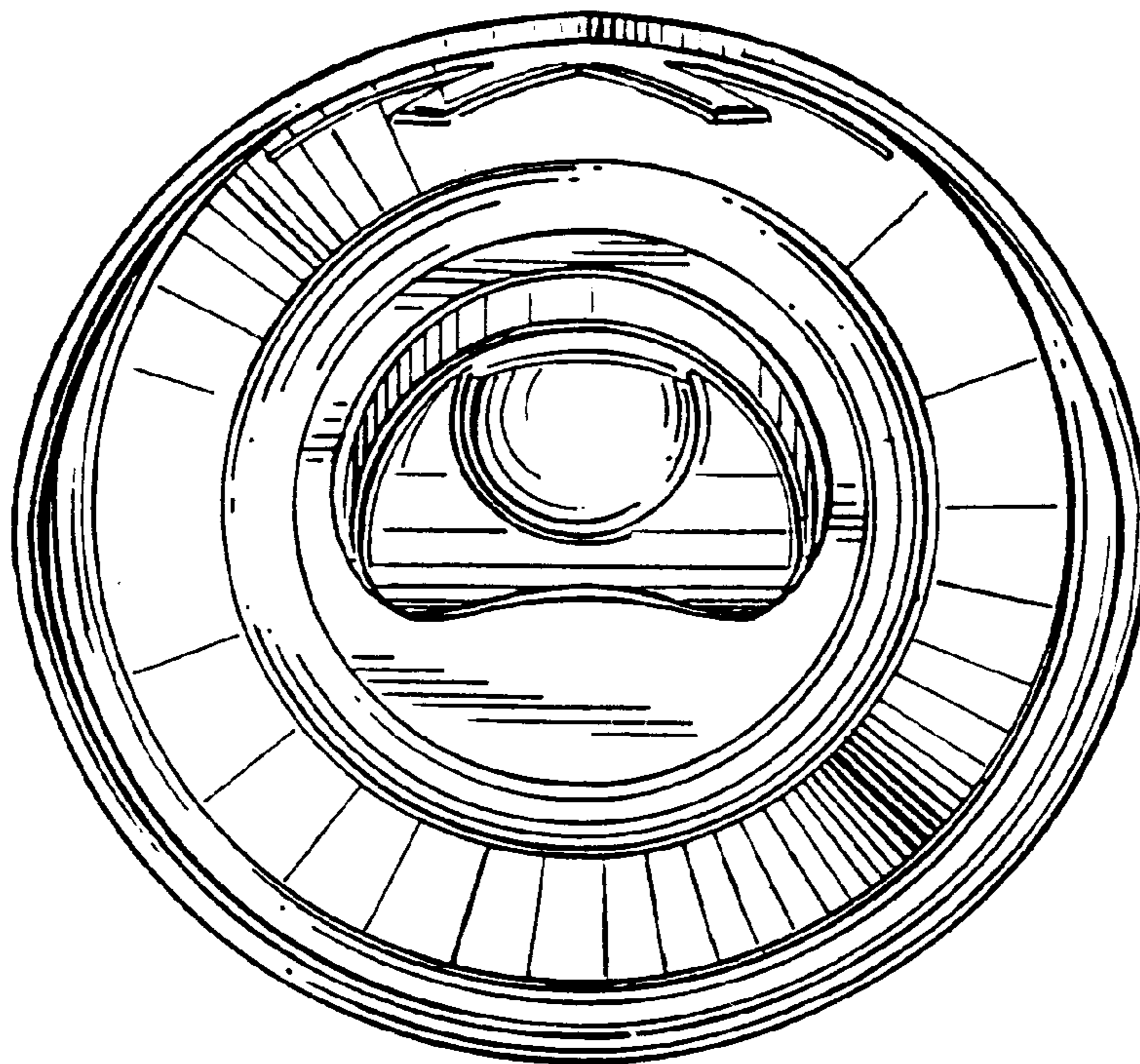


FIG. 3

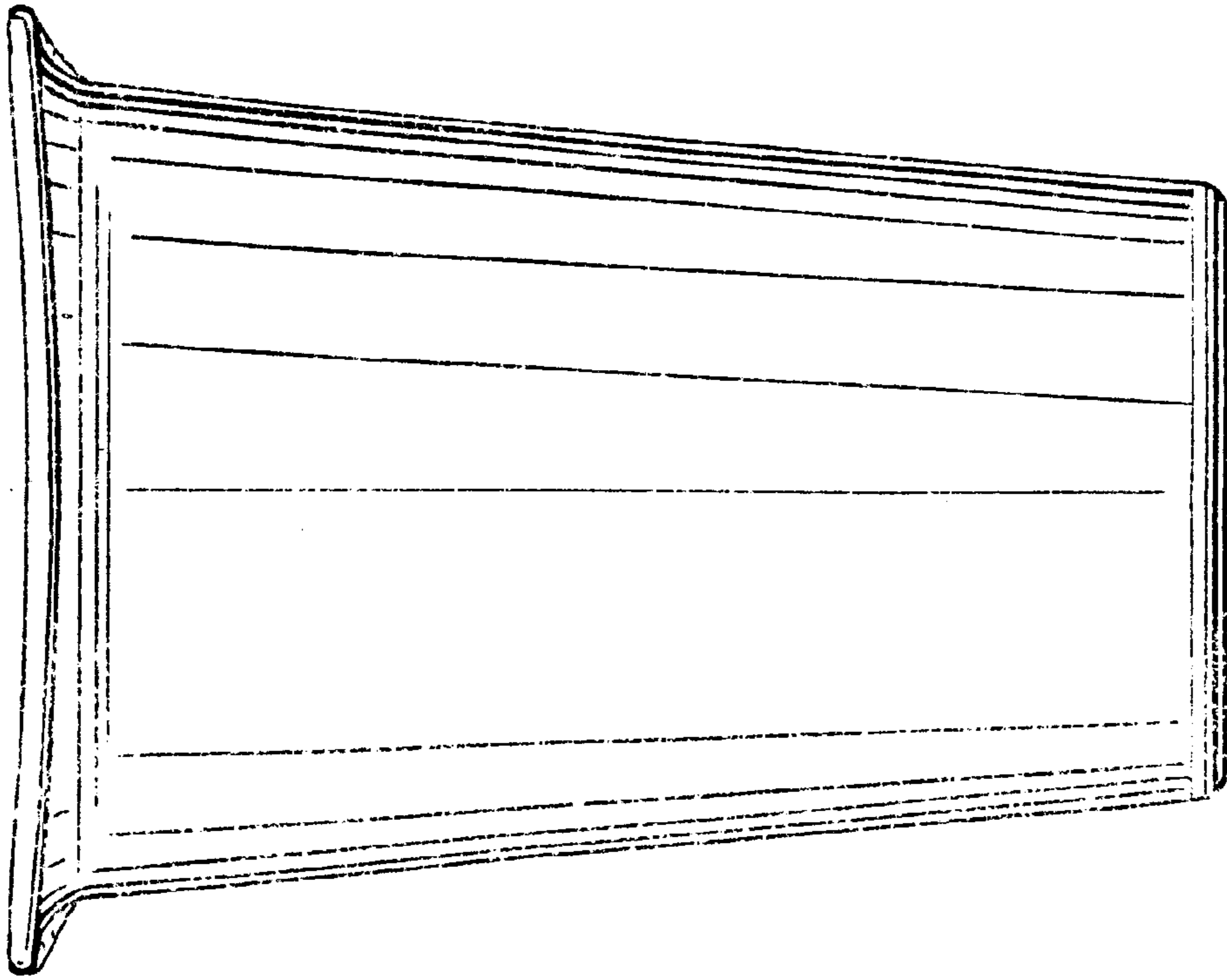


FIG. 5

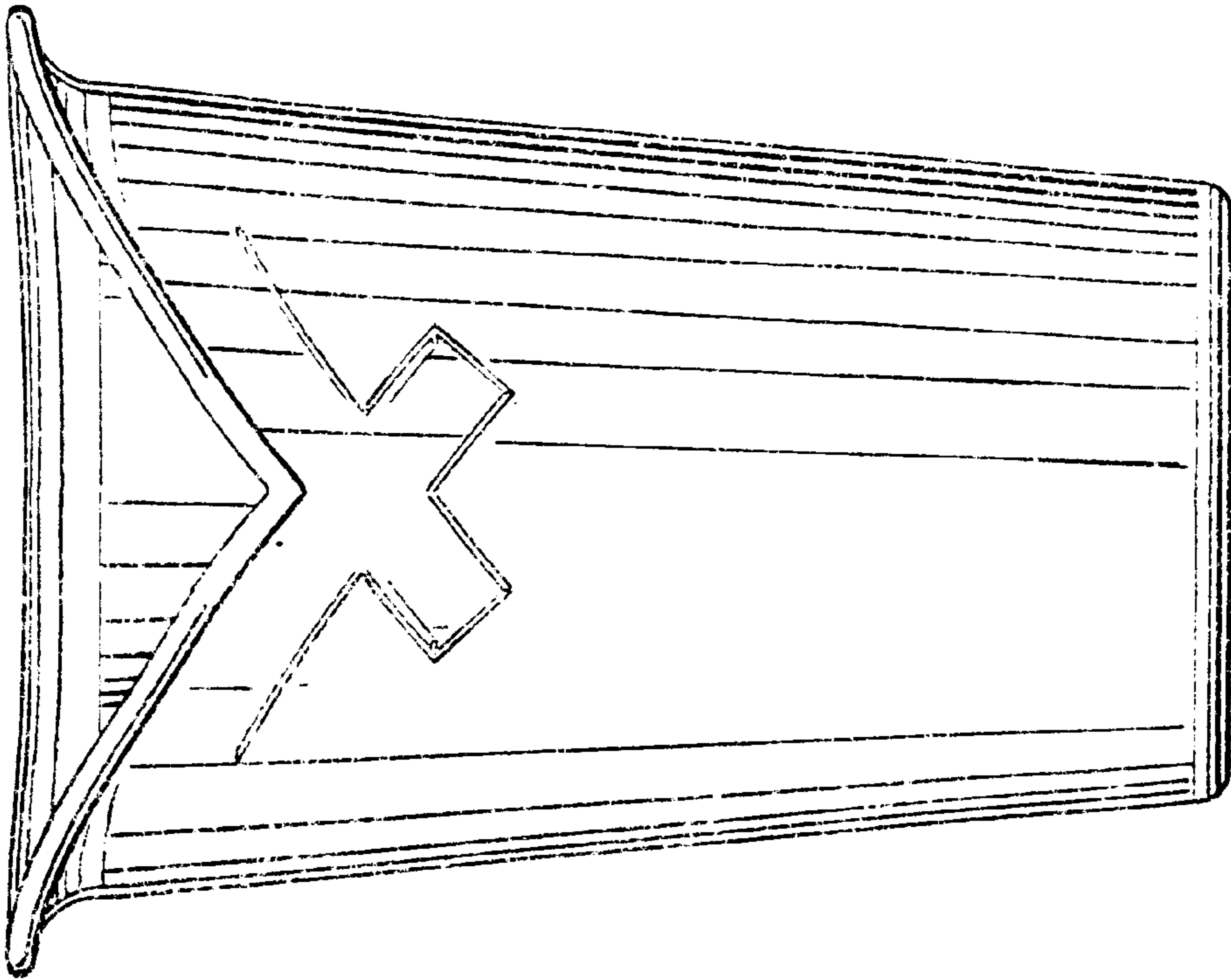


FIG. 4

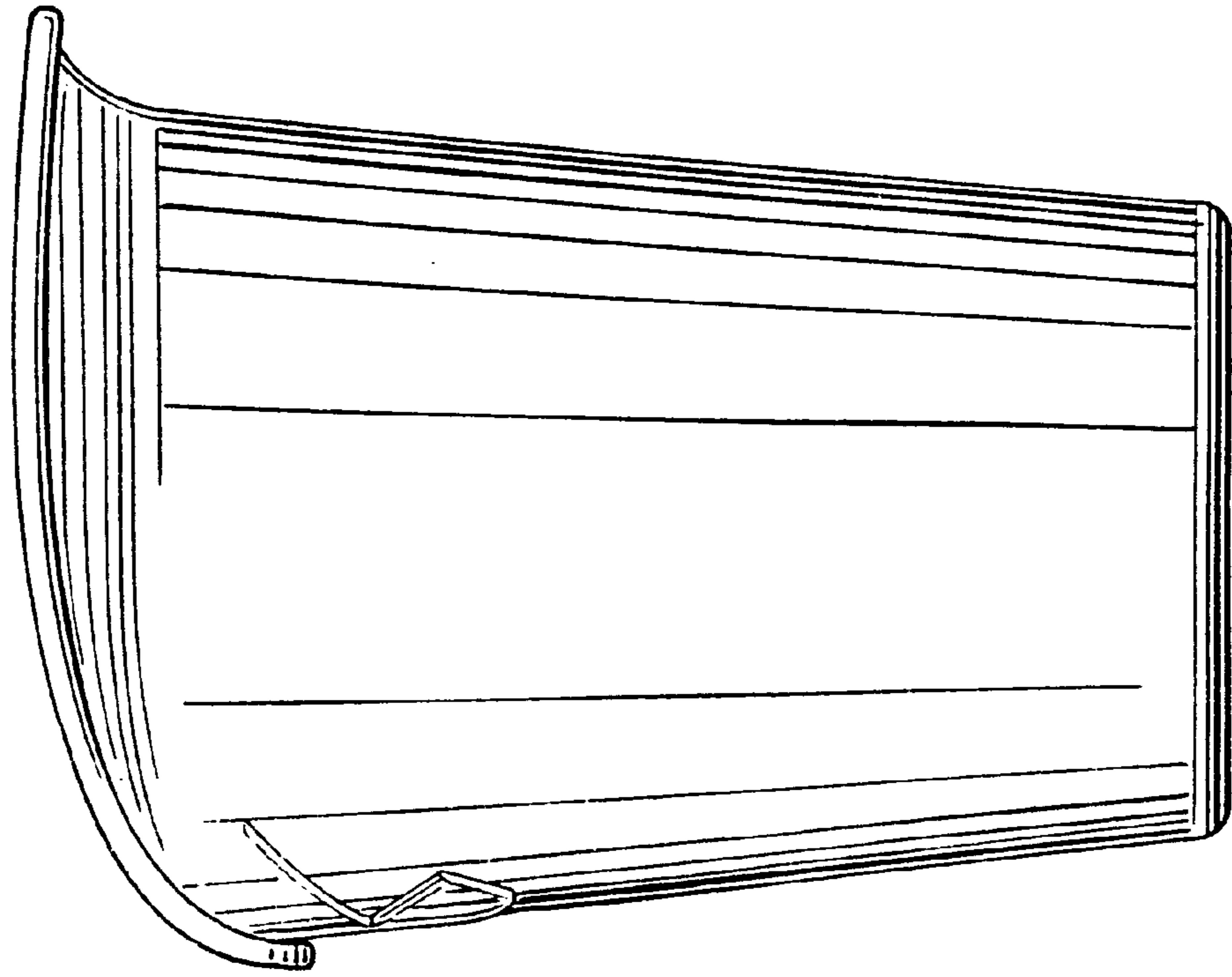


FIG. 7

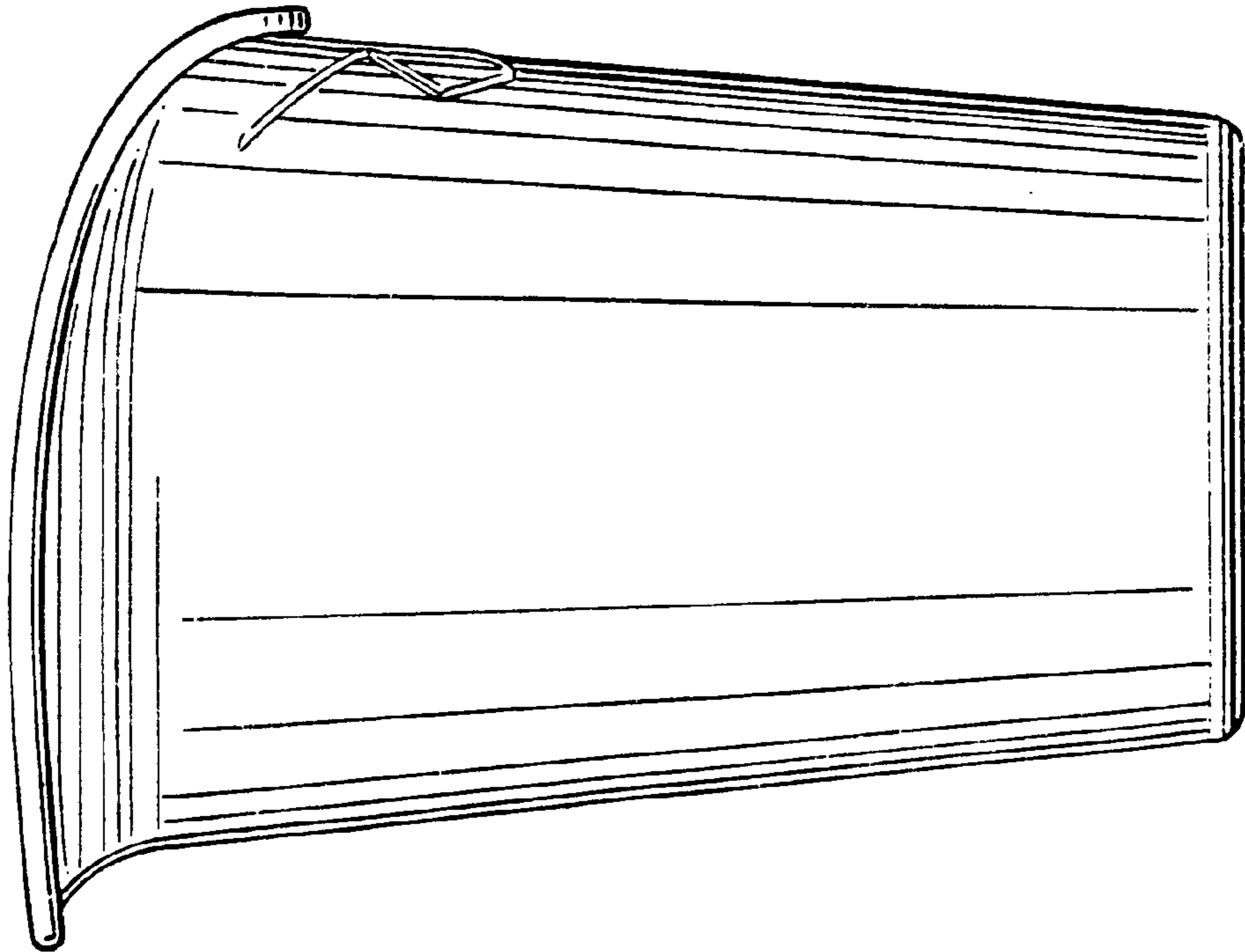


FIG. 6

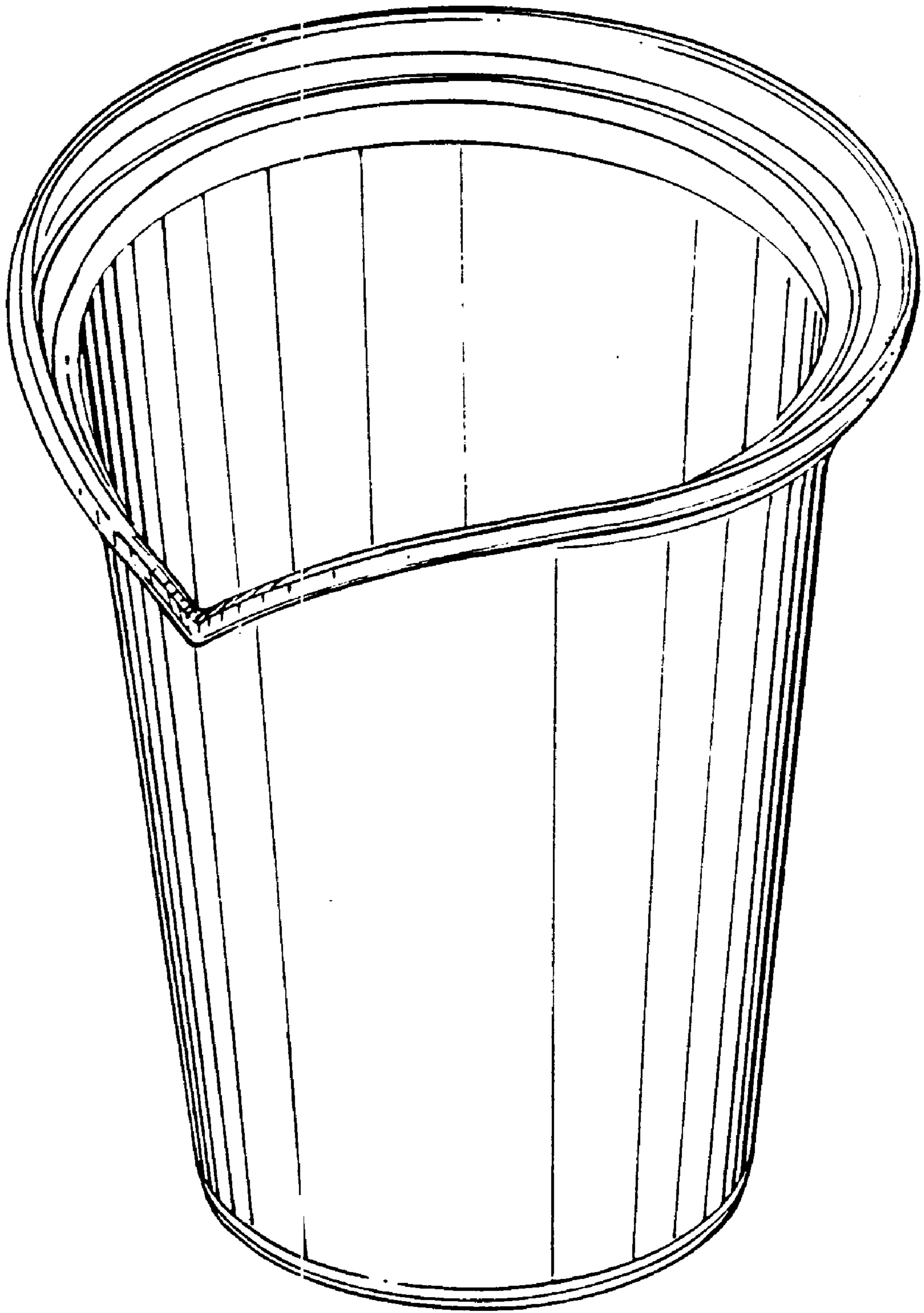


FIG. 8

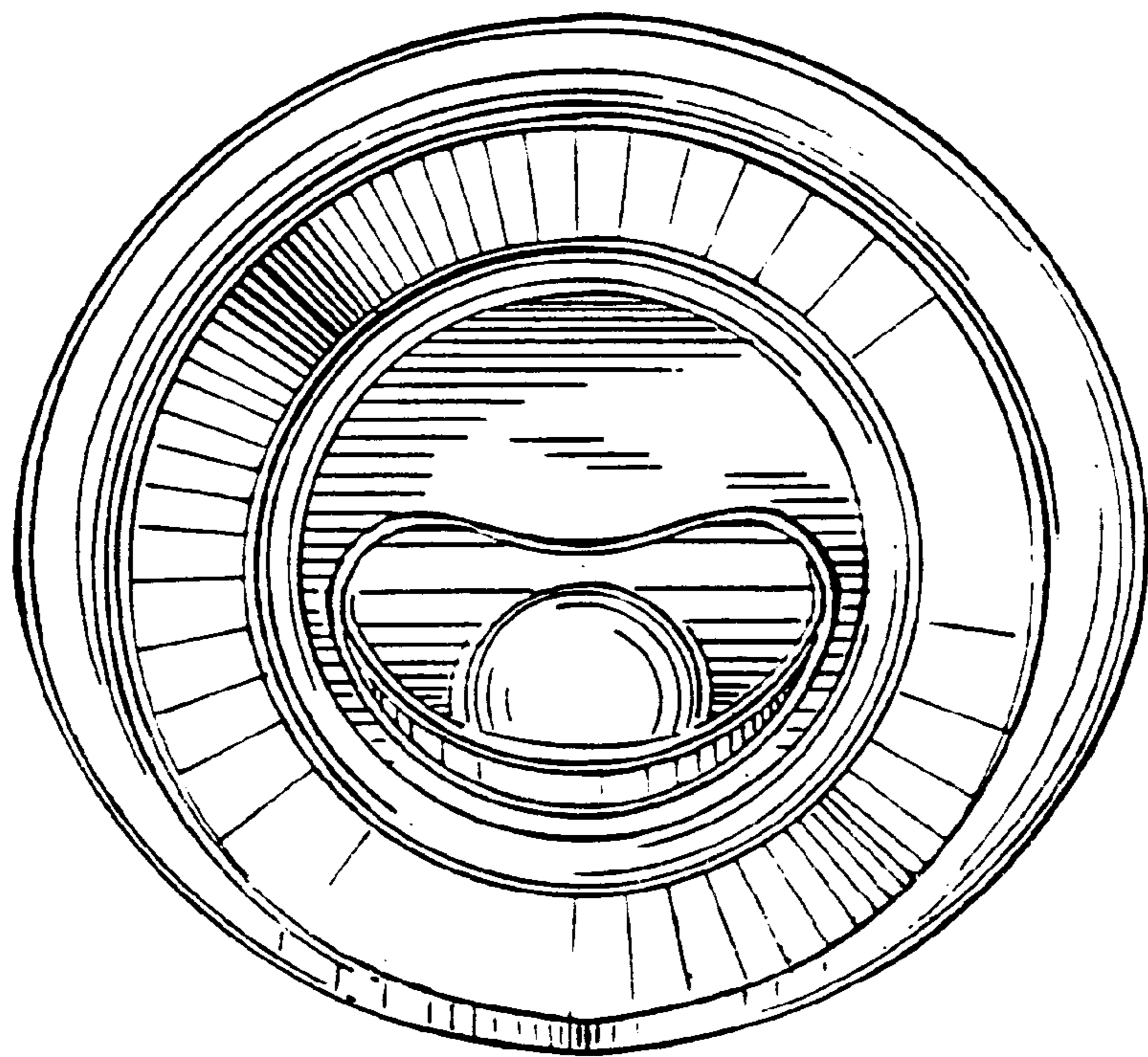


FIG. 9

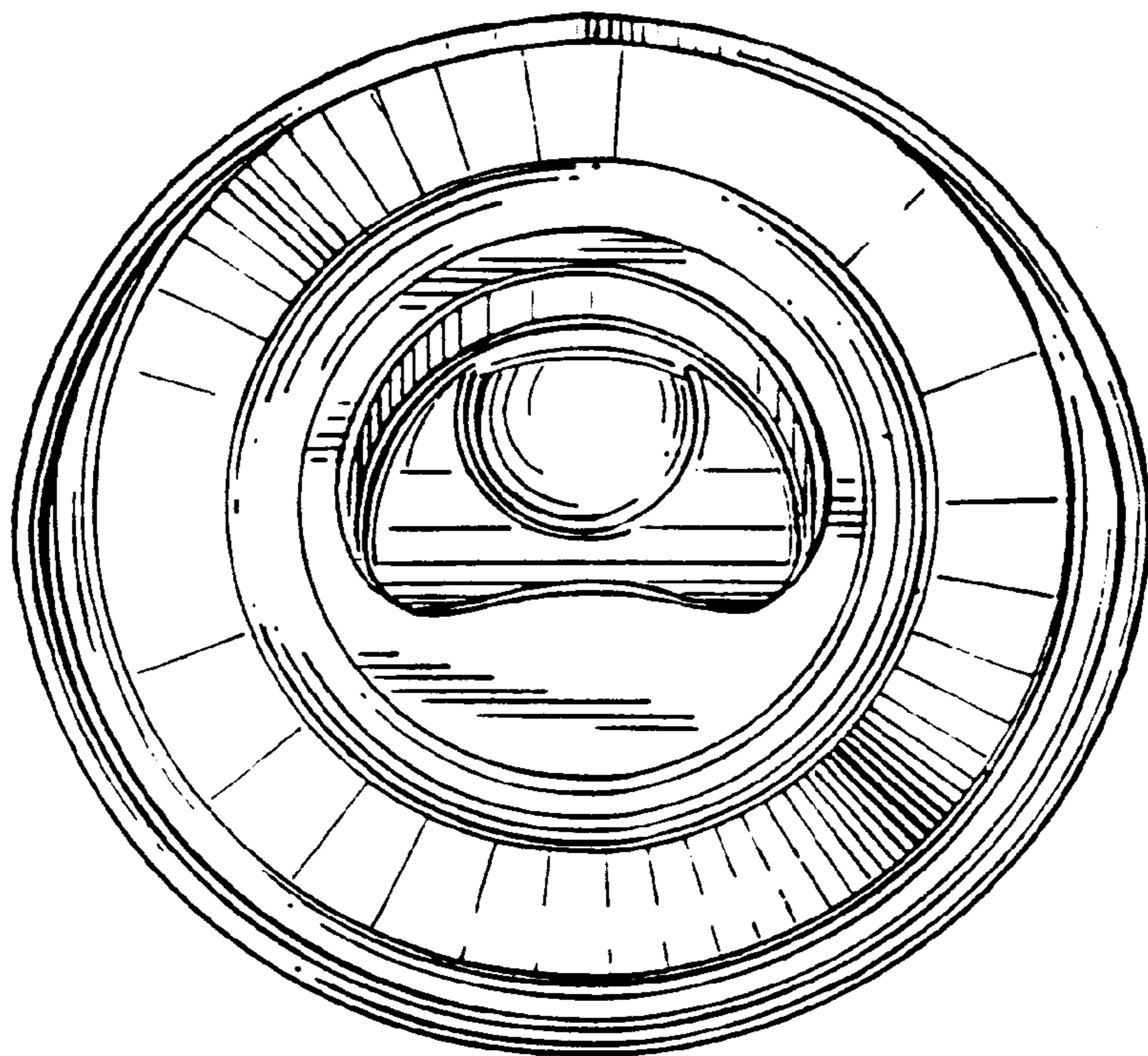


FIG. 10

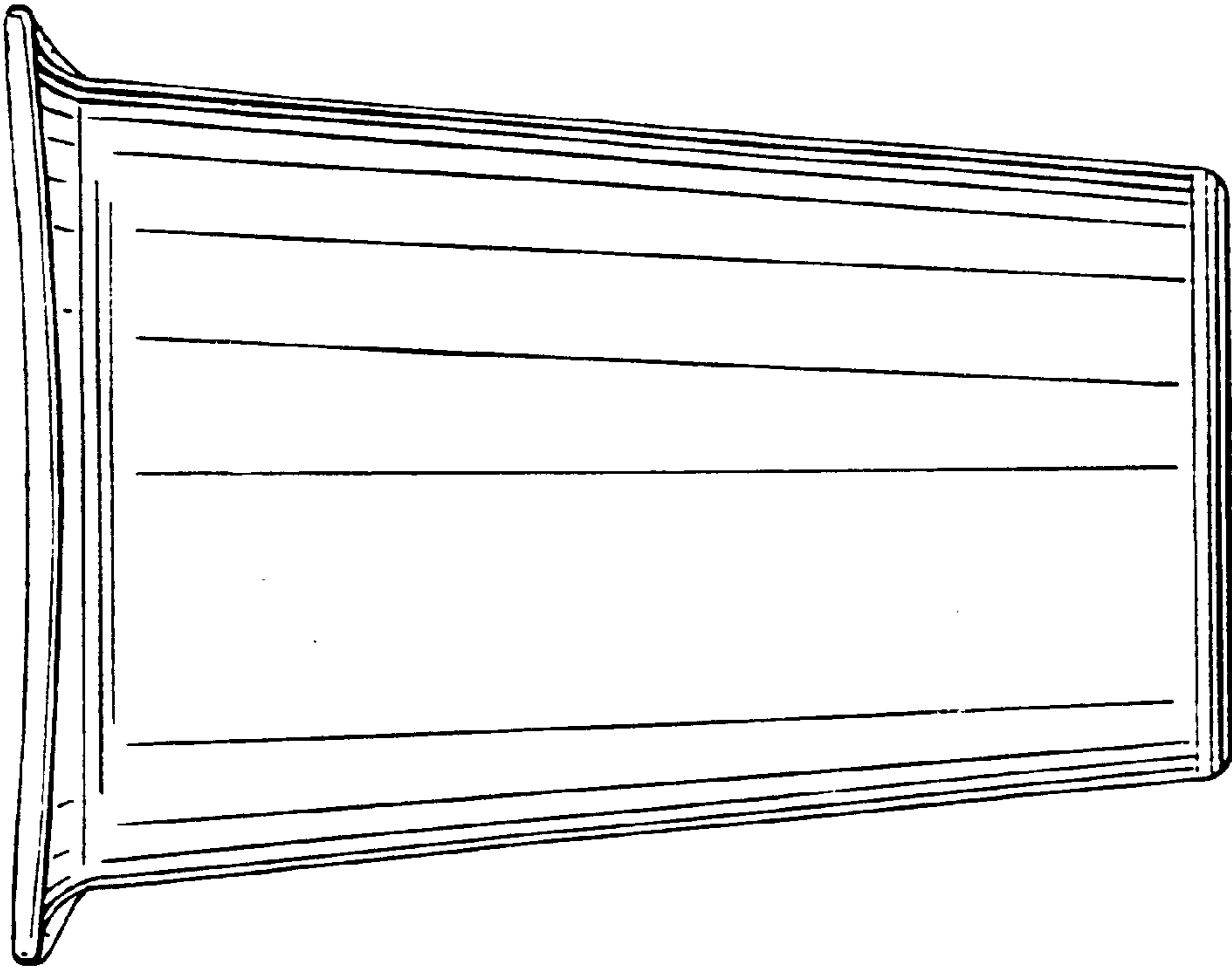


FIG.12

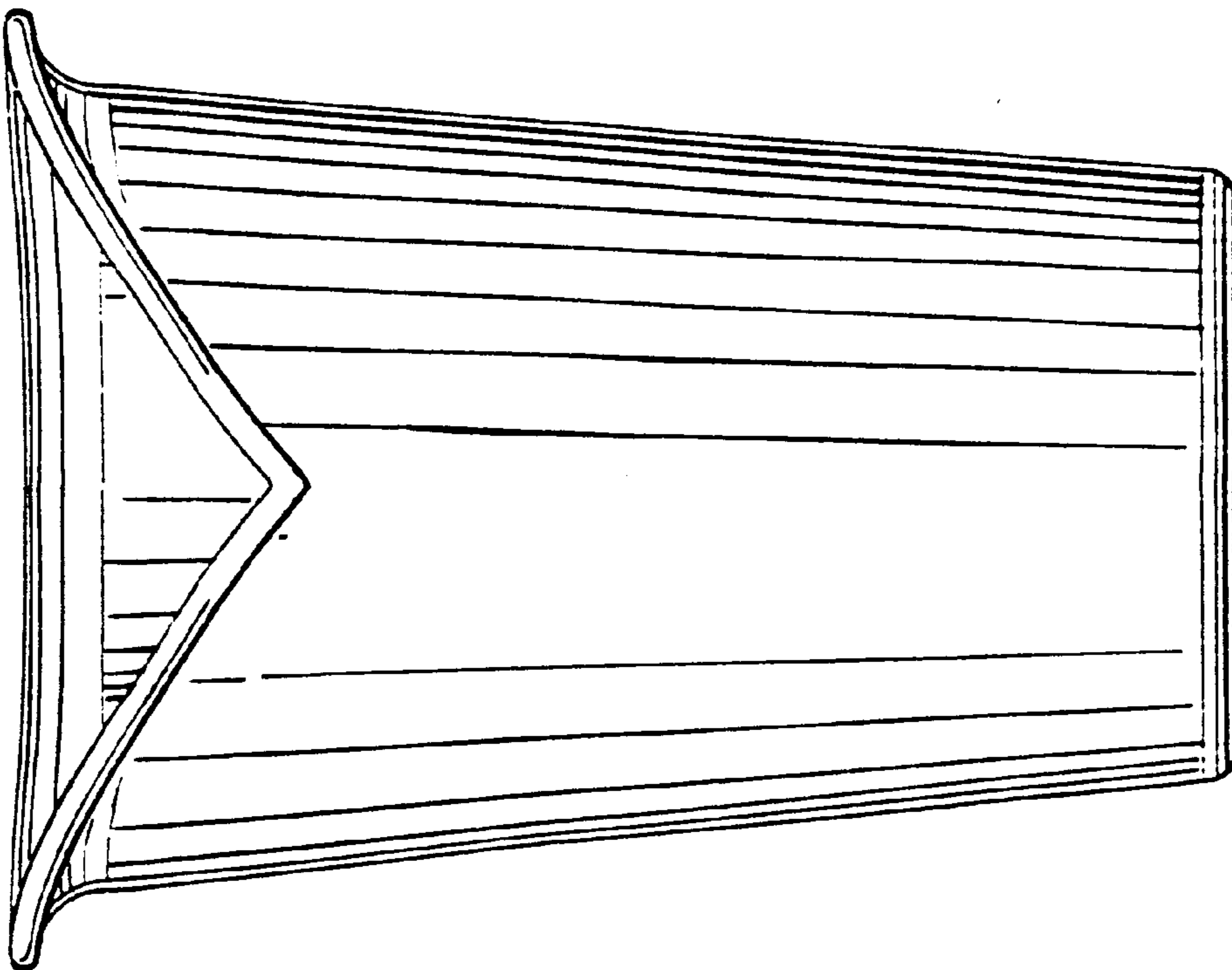


FIG.11

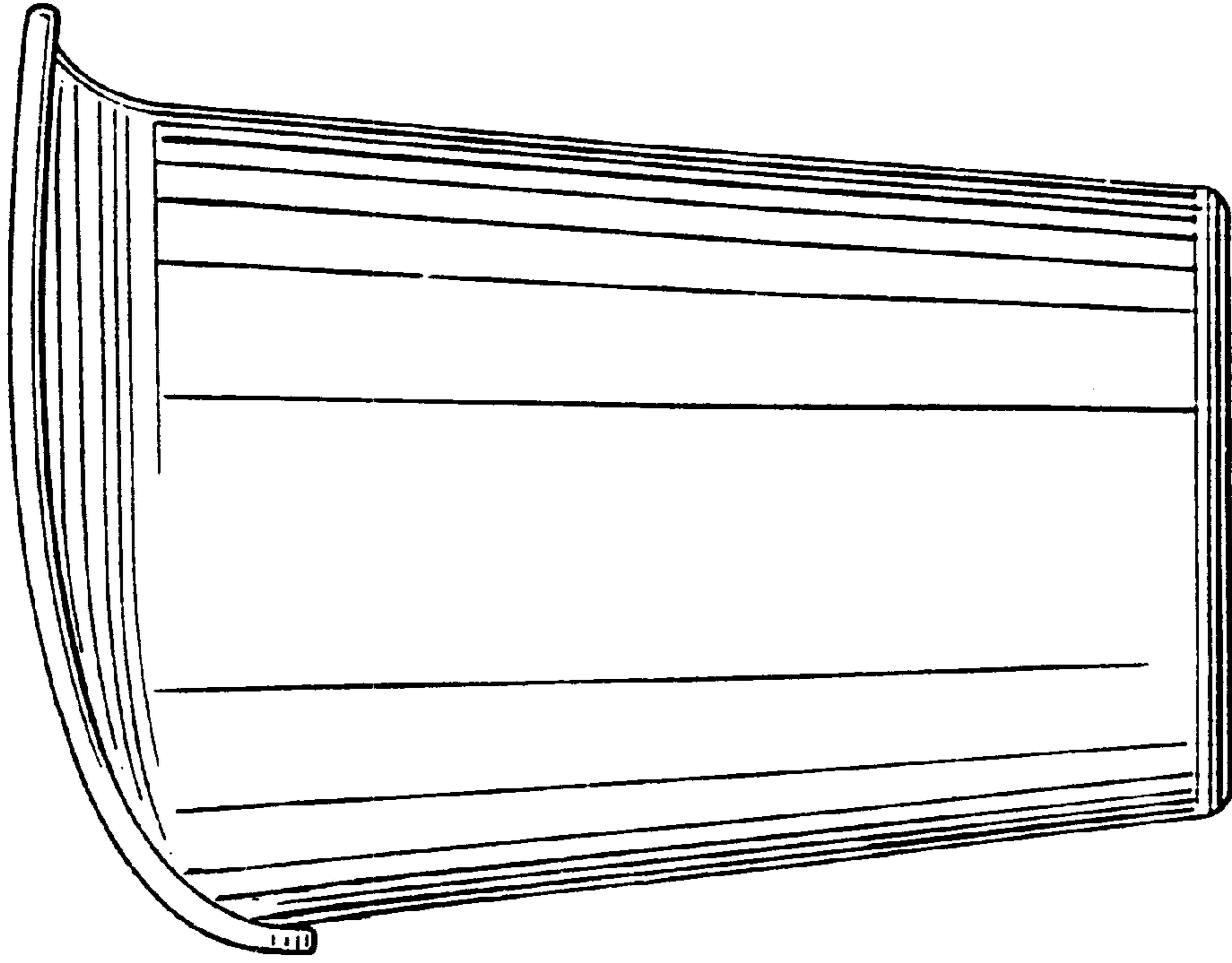


FIG.14

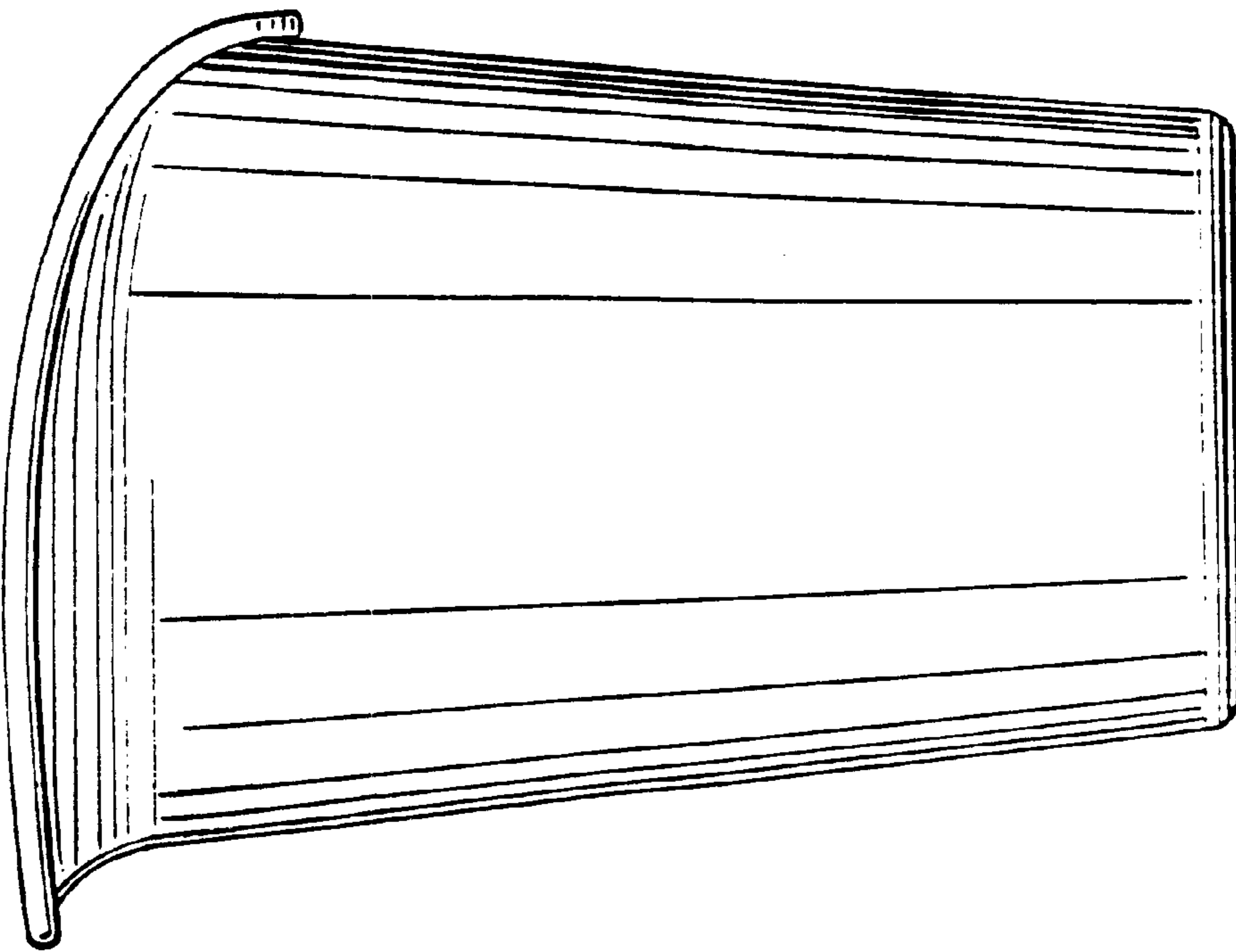


FIG.13