



US00D419382S

United States Patent [19]
Horvat

[11] **Patent Number: Des. 419,382**
[45] **Date of Patent: ** *Jan. 25, 2000**

[54] **BOWL**

[75] Inventor: **Davorin Horvat**, Milan, Italy

[73] Assignee: **Aracaria B.V.**, Amsterdam, Netherlands

[*] Notice: This patent is subject to a terminal disclaimer.

[**] Term: **14 Years**

[21] Appl. No.: **29/096,946**

[22] Filed: **Nov. 24, 1998**

[30] **Foreign Application Priority Data**

Jun. 16, 1998 [IT] Italy MI980000408

[51] **LOC (7) Cl.** **07-01**

[52] **U.S. Cl.** **D7/558; D7/587**

[58] **Field of Search** D7/558, 559, 584, D7/560, 504, 586, 505, 587, 543, 396.1, 544, 601, 545, 602, 354; 220/628, 574

[56] **References Cited**

U.S. PATENT DOCUMENTS

D. 103,967 4/1937 Guild D7/558

D. 112,179 11/1938 Reinecke et al. D7/584
D. 112,199 11/1938 Kostellow D7/558
D. 146,901 6/1947 Fiorio D7/558 X
D. 169,314 4/1953 Heisey D7/558
D. 272,215 1/1984 Daenen et al. D7/558
D. 402,506 12/1998 Chilewich D7/584 X
4,506,799 3/1985 Mason, Jr. 220/628

OTHER PUBLICATIONS

Hans Hollein bowl, Domus 613, p. 44 Jan. 1981.

Primary Examiner—M. N. Pandozzi

Attorney, Agent, or Firm—Notaro & Michalos P.C.

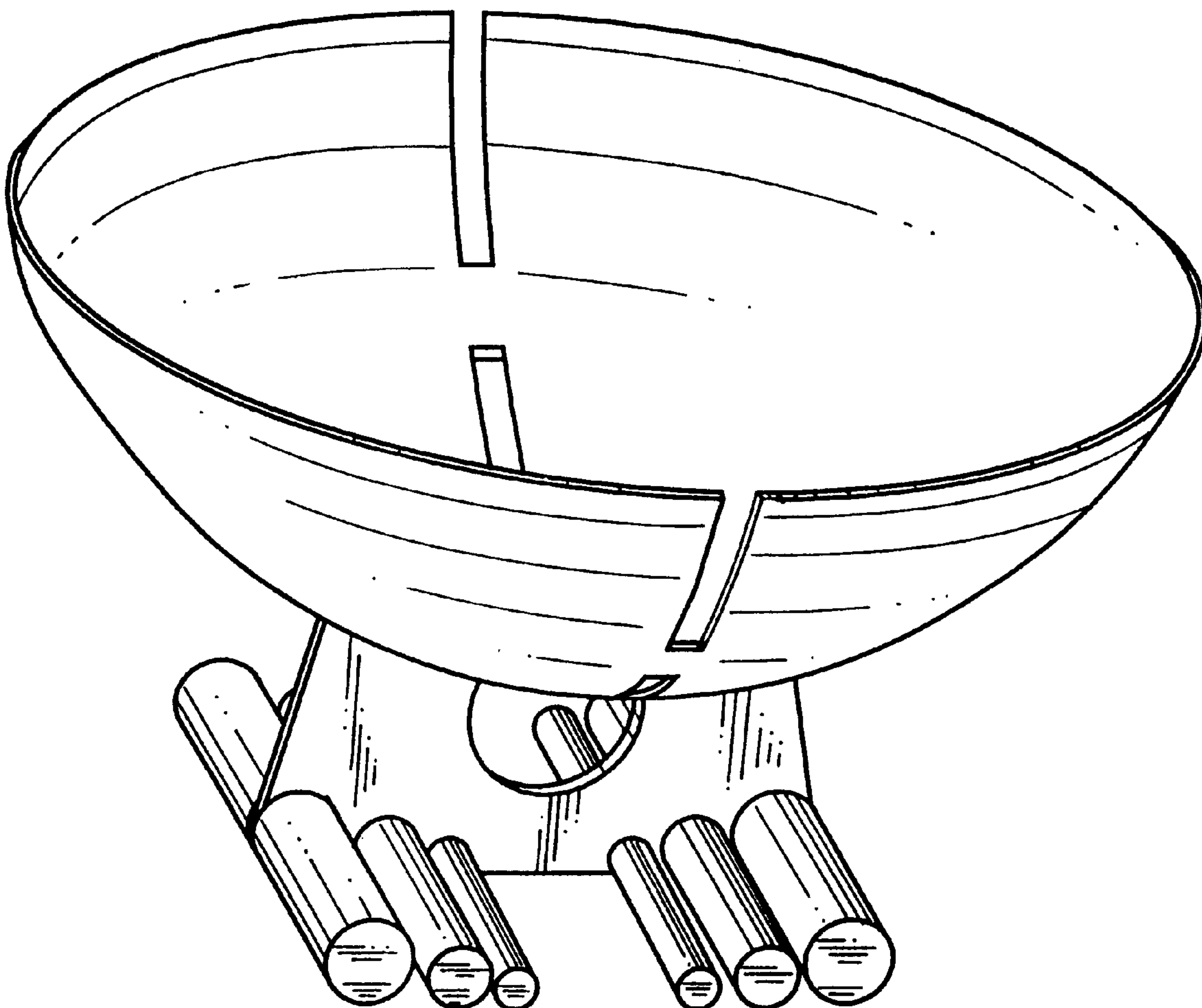
[57] **CLAIM**

The ornamental design for a bowl, as shown and described.

DESCRIPTION

FIG. 1 is a front, left, top perspective view of a showing my/our design therefor;
FIG. 2 is a right side elevational view thereof;
FIG. 3 is a left side elevational view thereof;
FIG. 4 is a rear elevational view thereof; and
FIG. 5 is a front elevational view thereof;
FIG. 6 is a top plan view thereof; and,
FIG. 7 is a bottom plan view thereof.

1 Claim, 7 Drawing Sheets



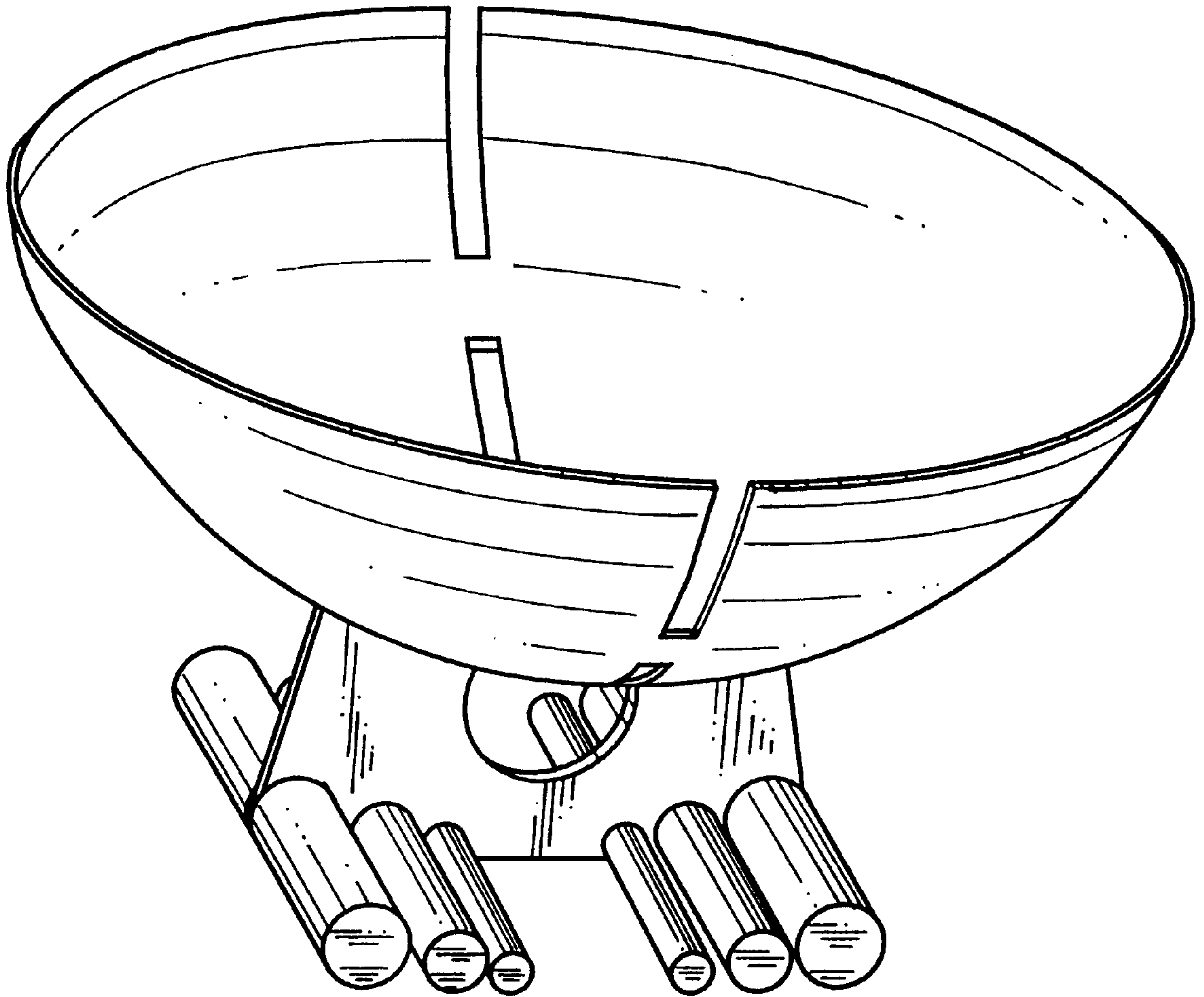


FIG. 1

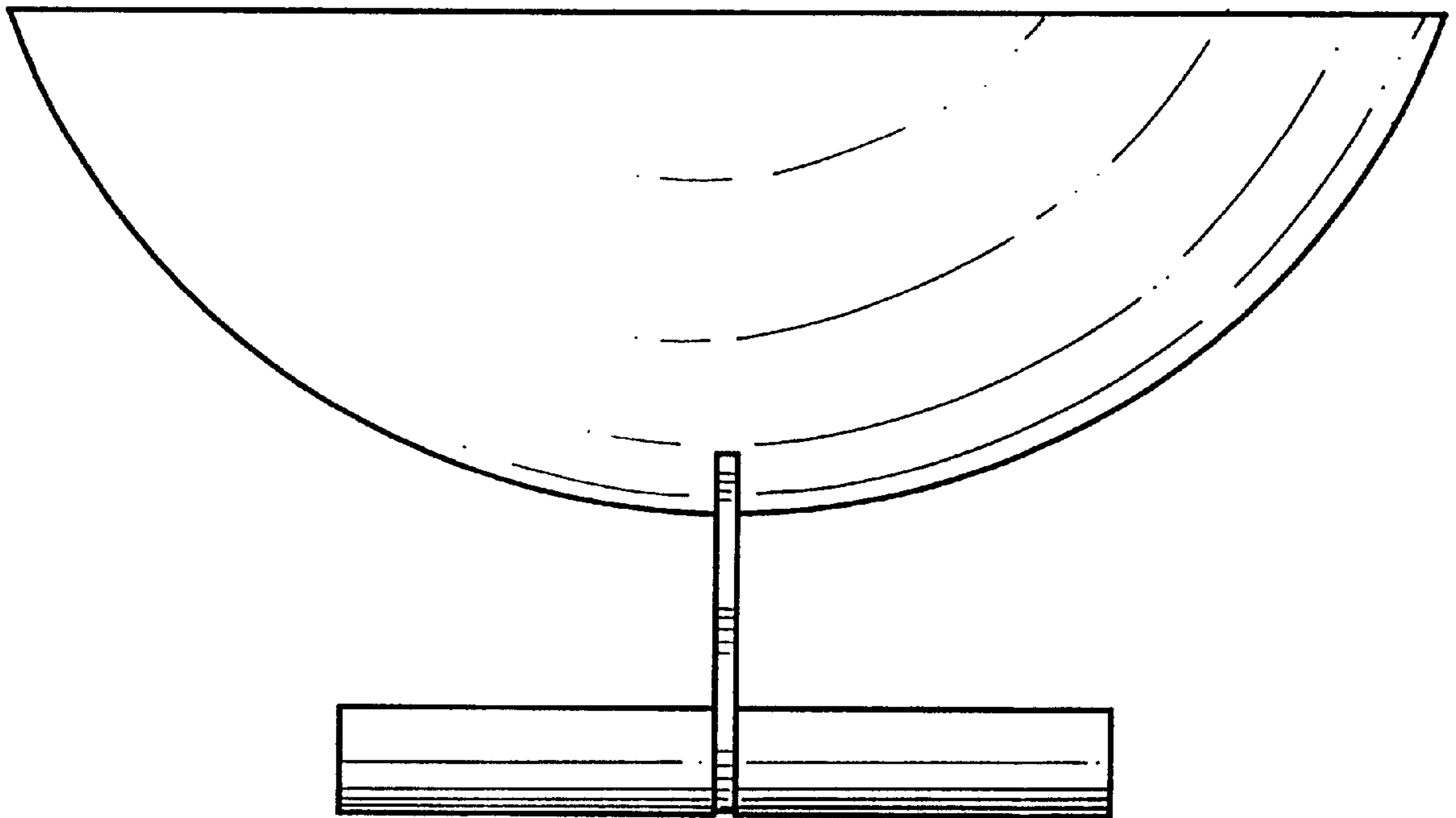


FIG. 2

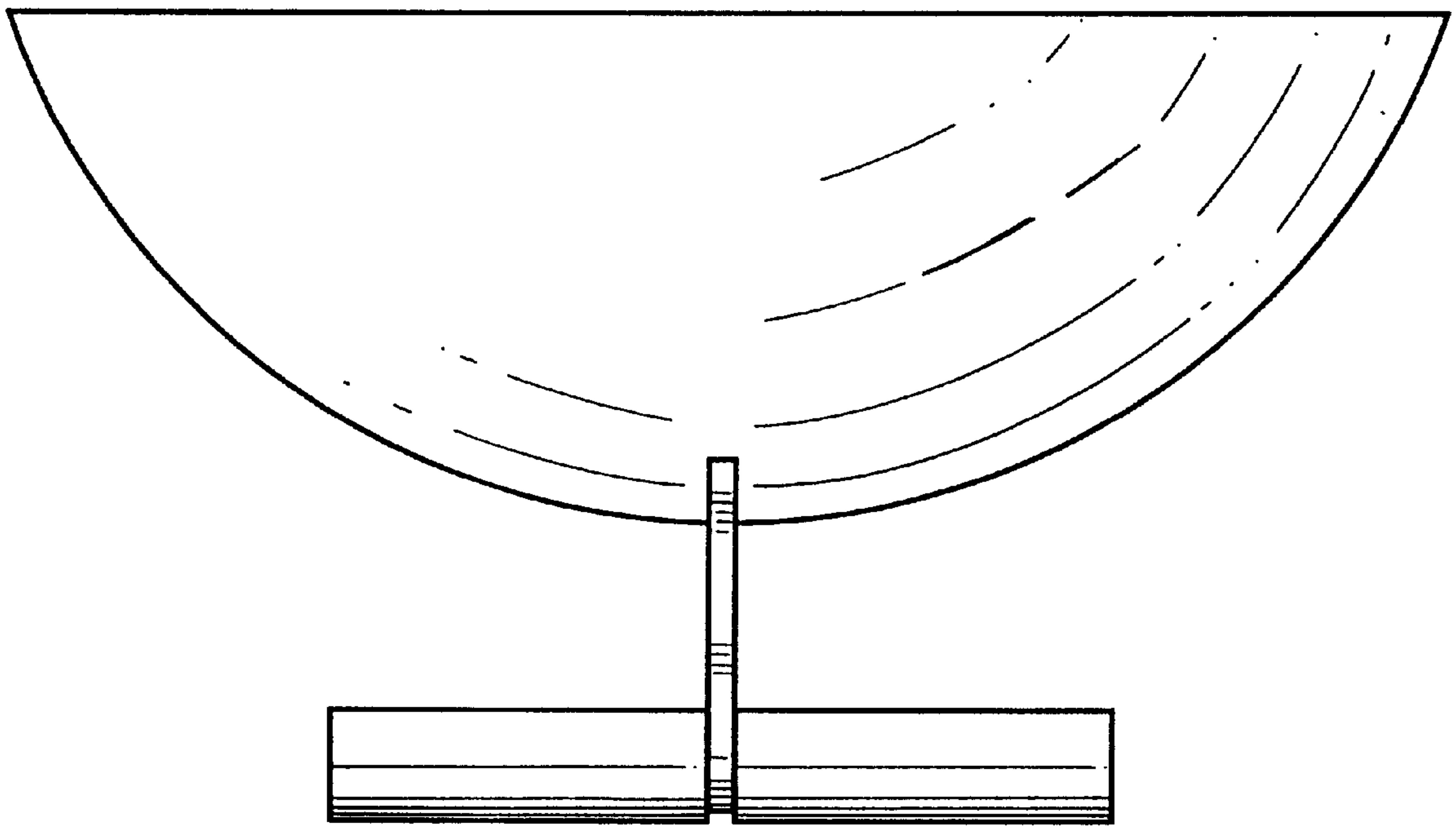


FIG. 3

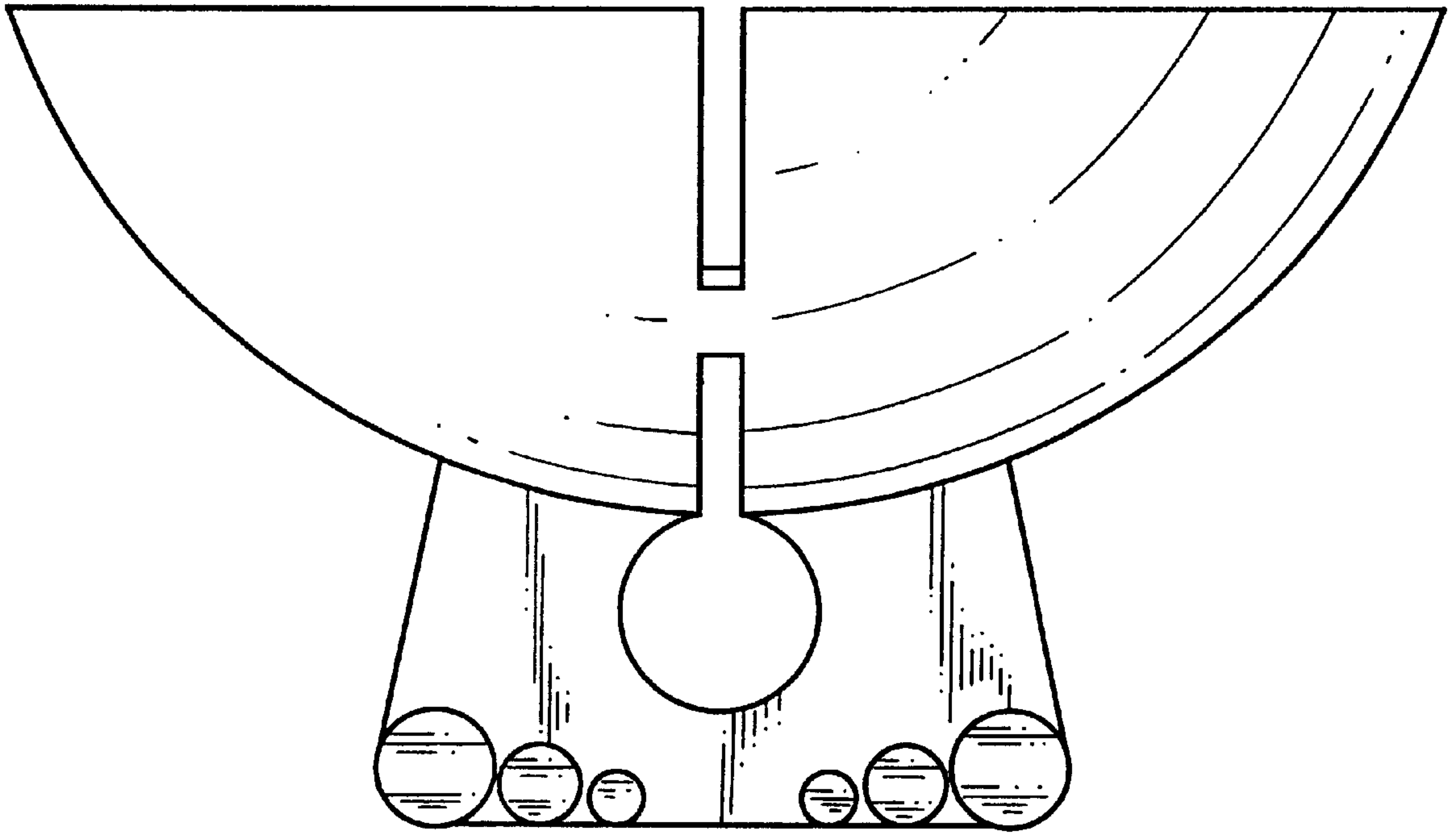


FIG. 4

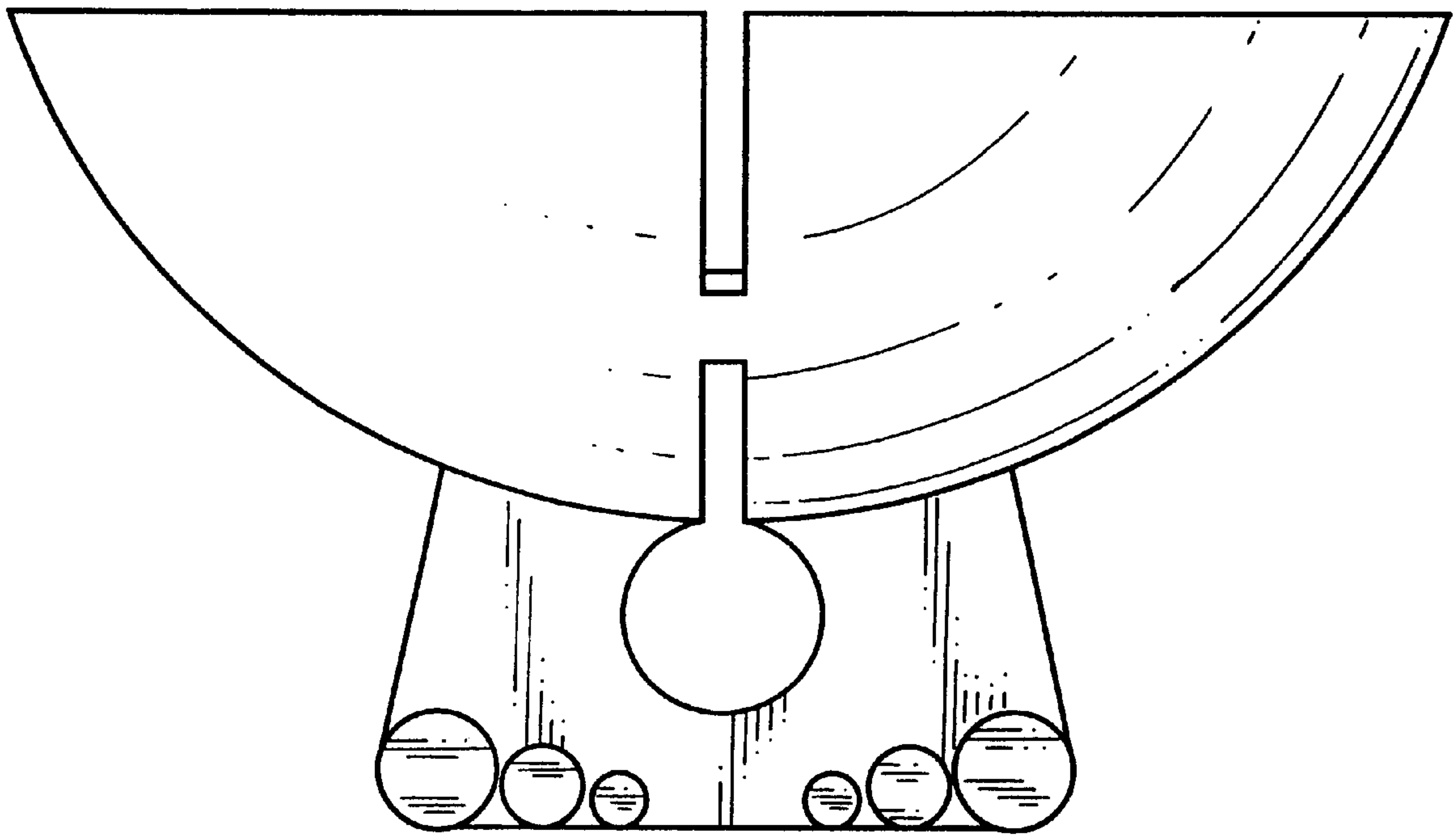


FIG. 5

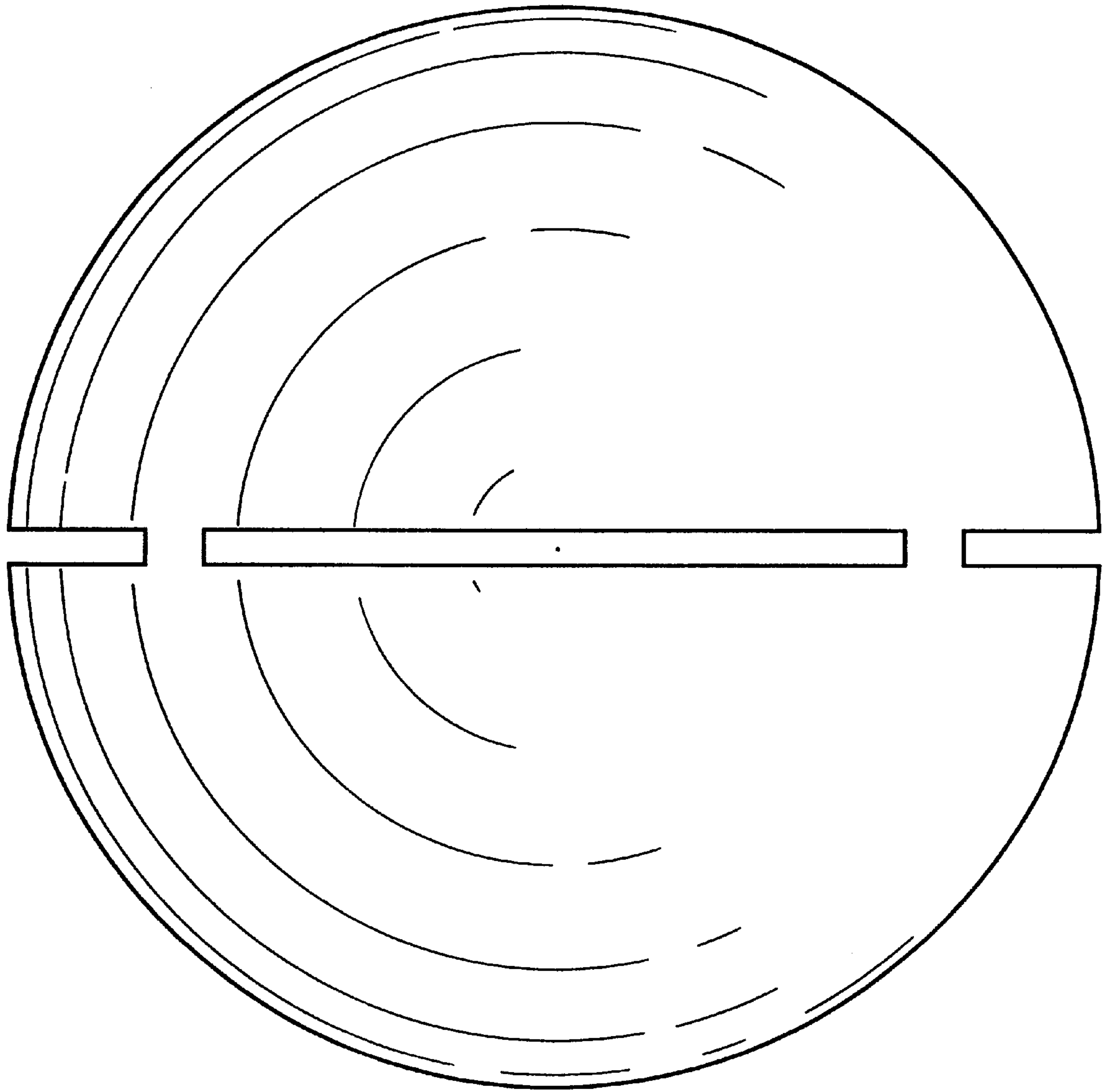


FIG. 6

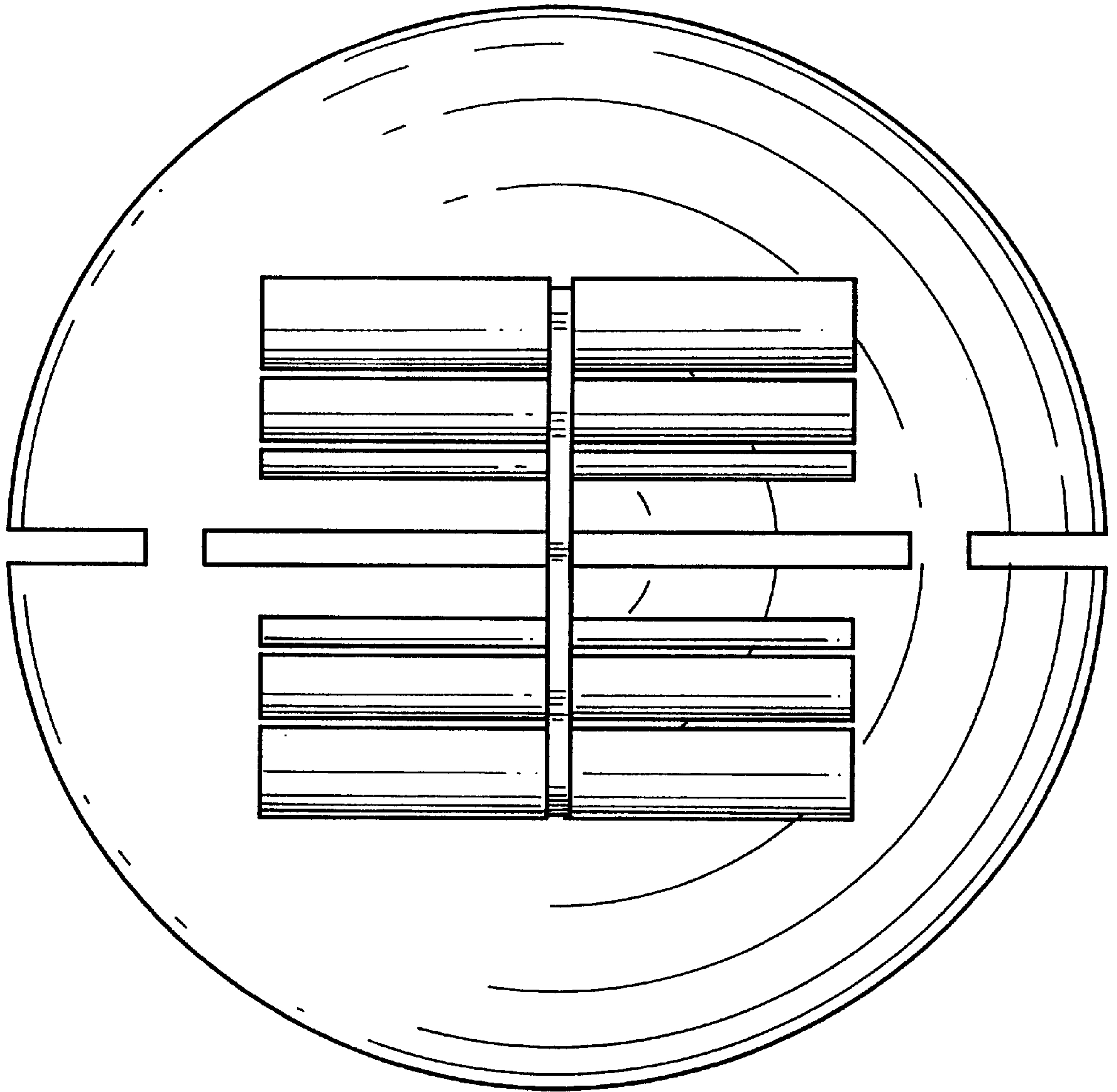


FIG. 7