



US00D419377S

**United States Patent** [19]  
**Pascotti**

[11] **Patent Number: Des. 419,377**  
[45] **Date of Patent: \*\* Jan. 25, 2000**

[54] **CLAMP**

[75] Inventor: **James Pascotti**, Harrisburg, Pa.

[73] Assignee: **L'Equip, Inc.**, Lemoyne, Pa.

[\*\*] Term: **14 Years**

[21] Appl. No.: **29/105,184**

[22] Filed: **May 19, 1999**

[51] **LOC (7) Cl.** ..... **31-00**

[52] **U.S. Cl.** ..... **D7/412; D7/665**

[58] **Field of Search** ..... **D7/325, 412, 665, D7/666; 99/501-506, 508-513, 495**

[56] **References Cited**

**U.S. PATENT DOCUMENTS**

D. 343,097 1/1994 Cesari et al. .... D7/665

*Primary Examiner*—Terry A. Wallace  
*Attorney, Agent, or Firm*—Duane, Morris & Heckscher, LLP

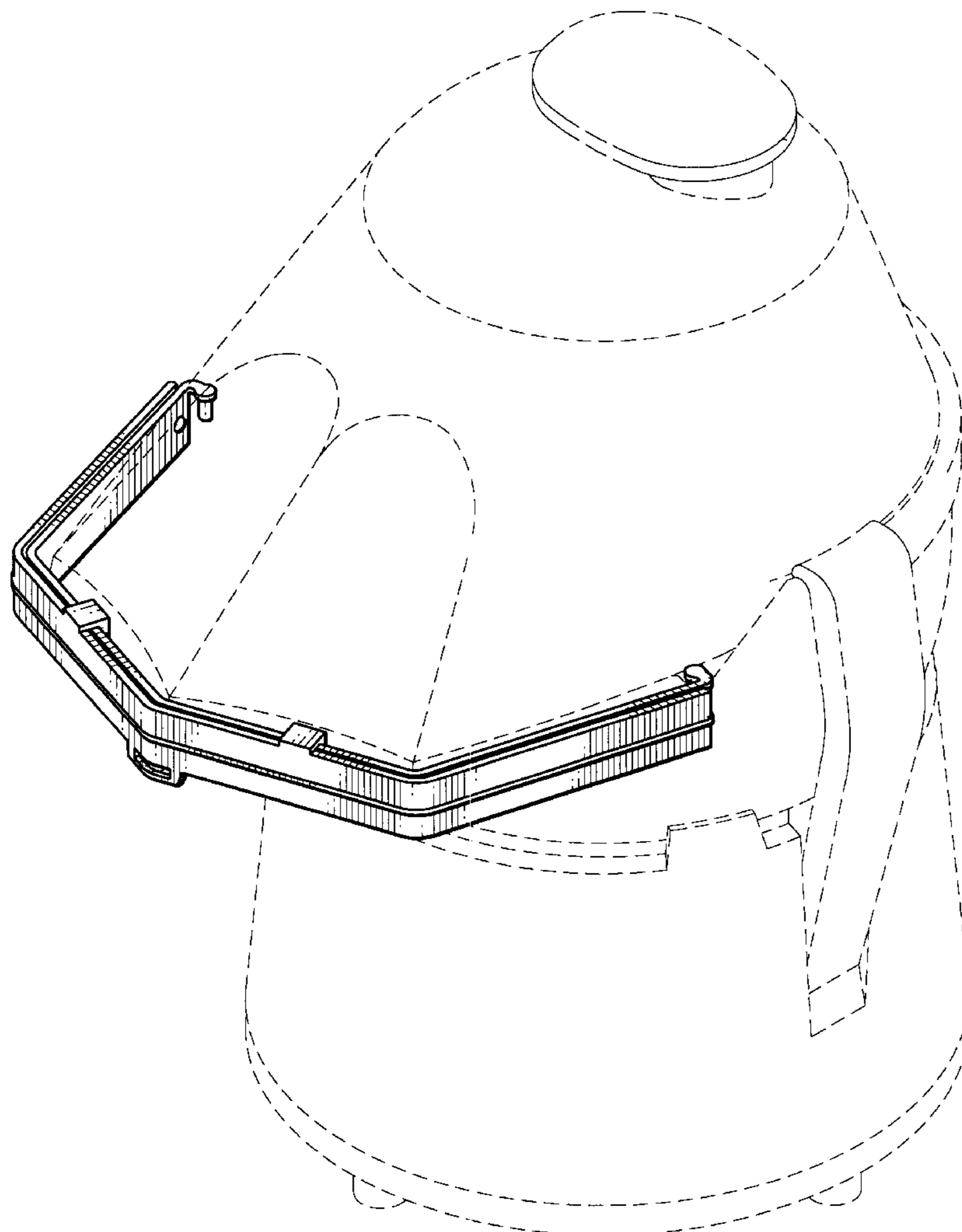
[57] **CLAIM**

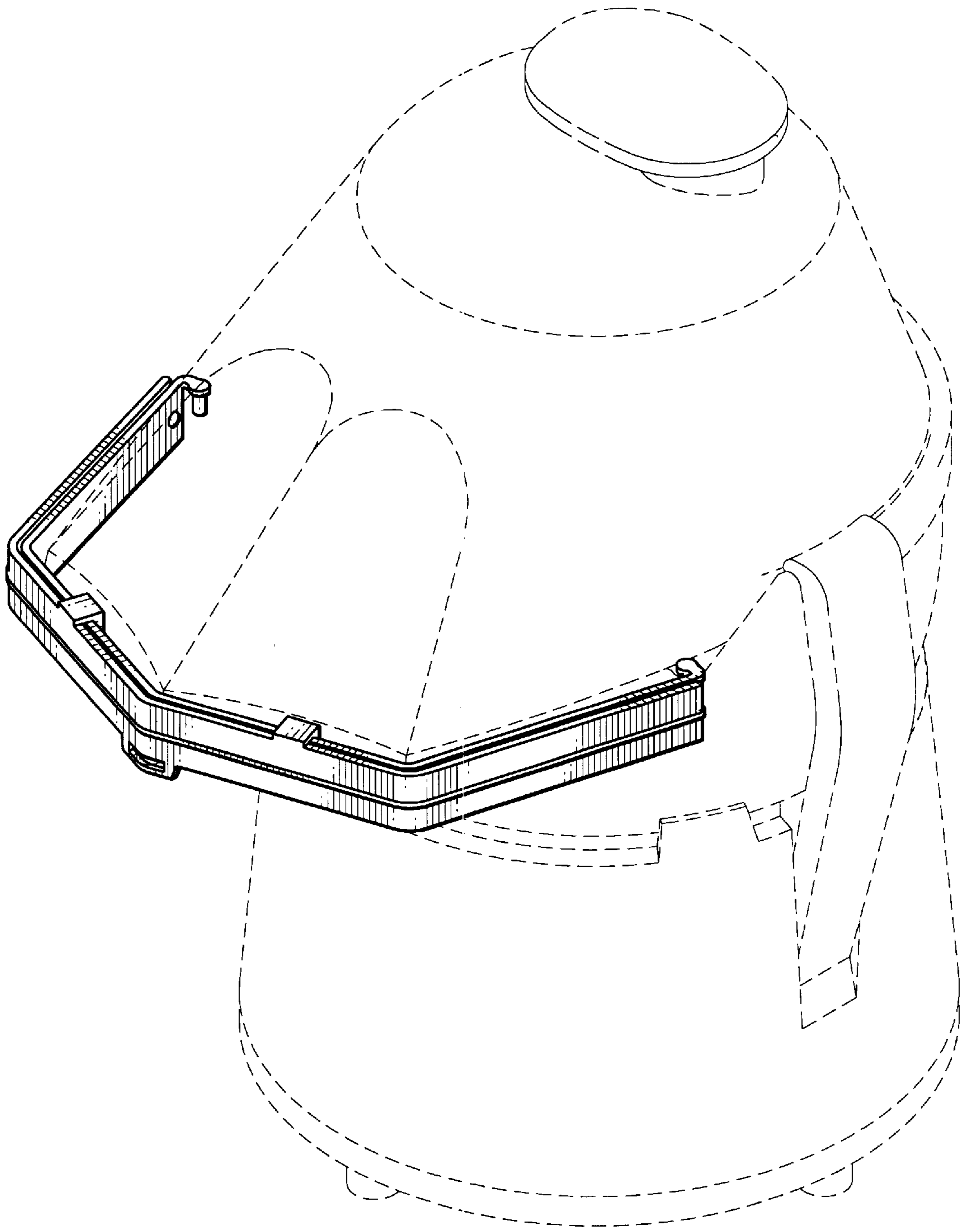
The ornamental design for a clamp, as shown and described.

**DESCRIPTION**

FIG. 1 is an isometric view of the clamp adorning an appliance;  
FIG. 2 is an isometric view of the ornamental clamp shown in FIG. 1;  
FIG. 3 is a top view of the clamp;  
FIG. 4 is a bottom view of the clamp;  
FIG. 5 is a front view of the clamp;  
FIG. 6 is a side view of the clamp;  
FIG. 7 is a rear view of the clamp;  
FIG. 8 is a side view of the clamp adorning the appliance, shown in FIG. 1;  
FIG. 9 is a top view of the clamp adorning the appliance, shown in FIG. 1; and,  
FIG. 10 is a front view of the clamp adorning the appliance, shown in FIG. 1.  
The broken lines are for illustrative purposes only and form no part of the claimed design.

**1 Claim, 8 Drawing Sheets**





*FIG. 1*

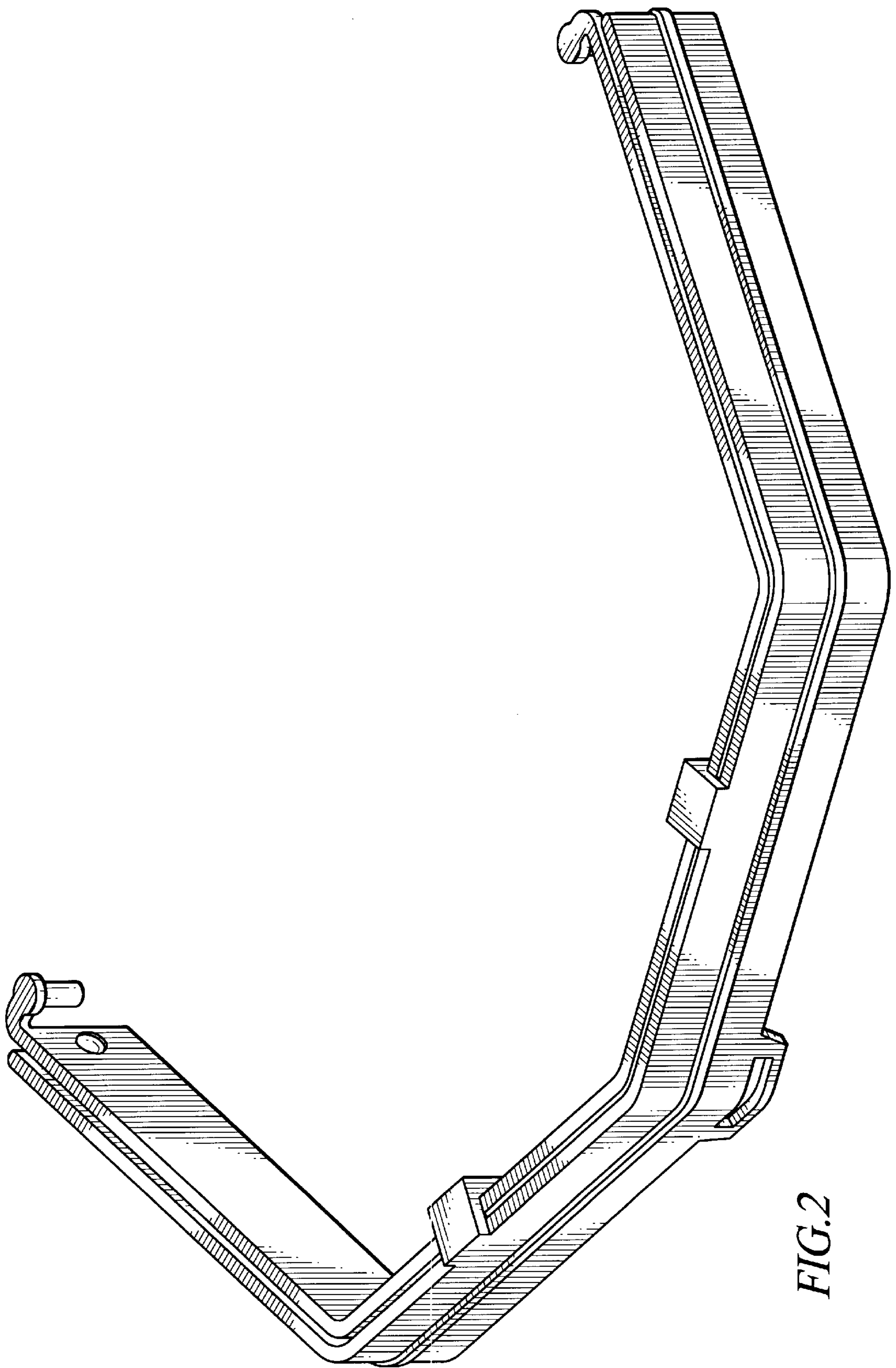


FIG. 2

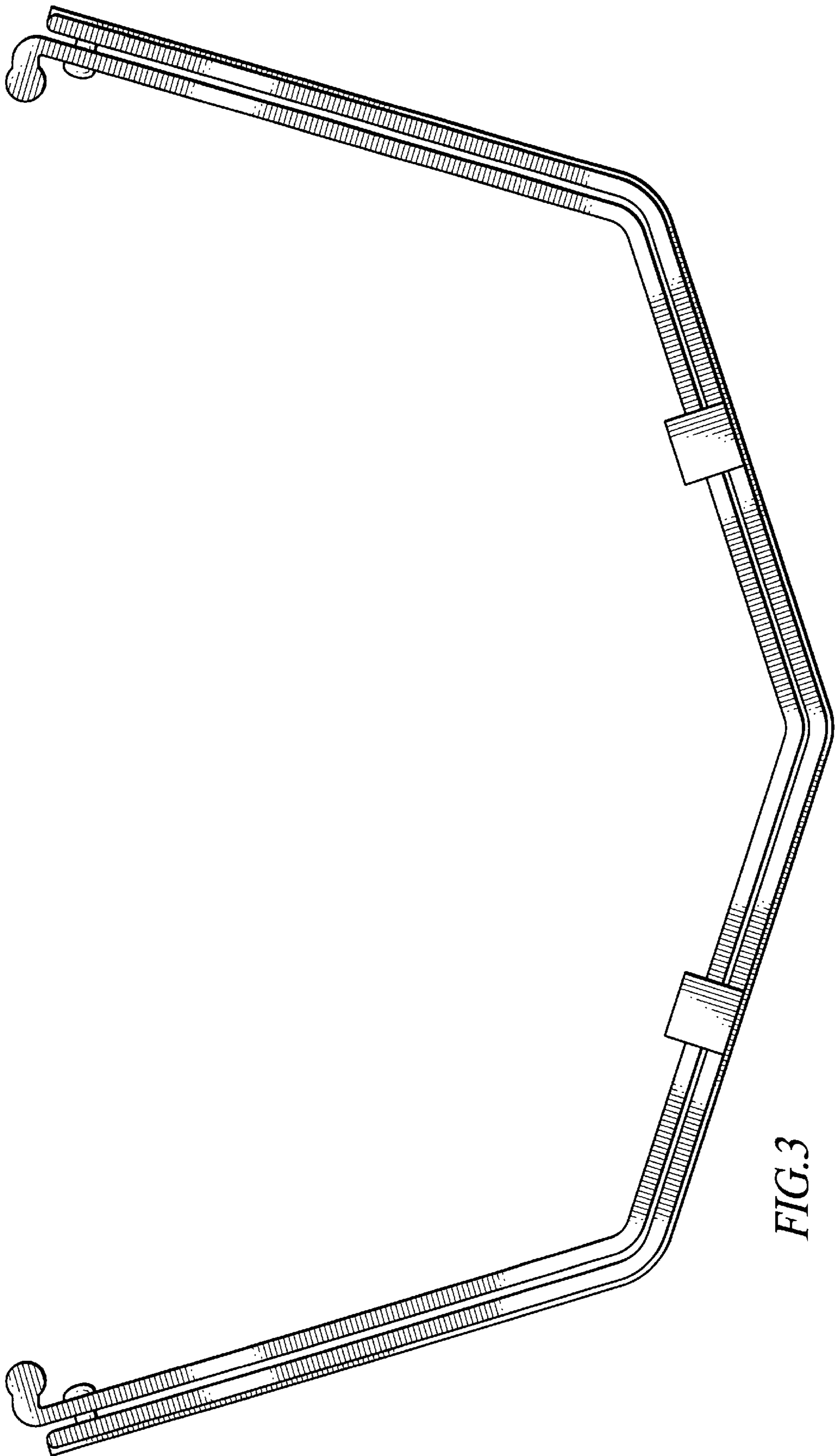


FIG. 3

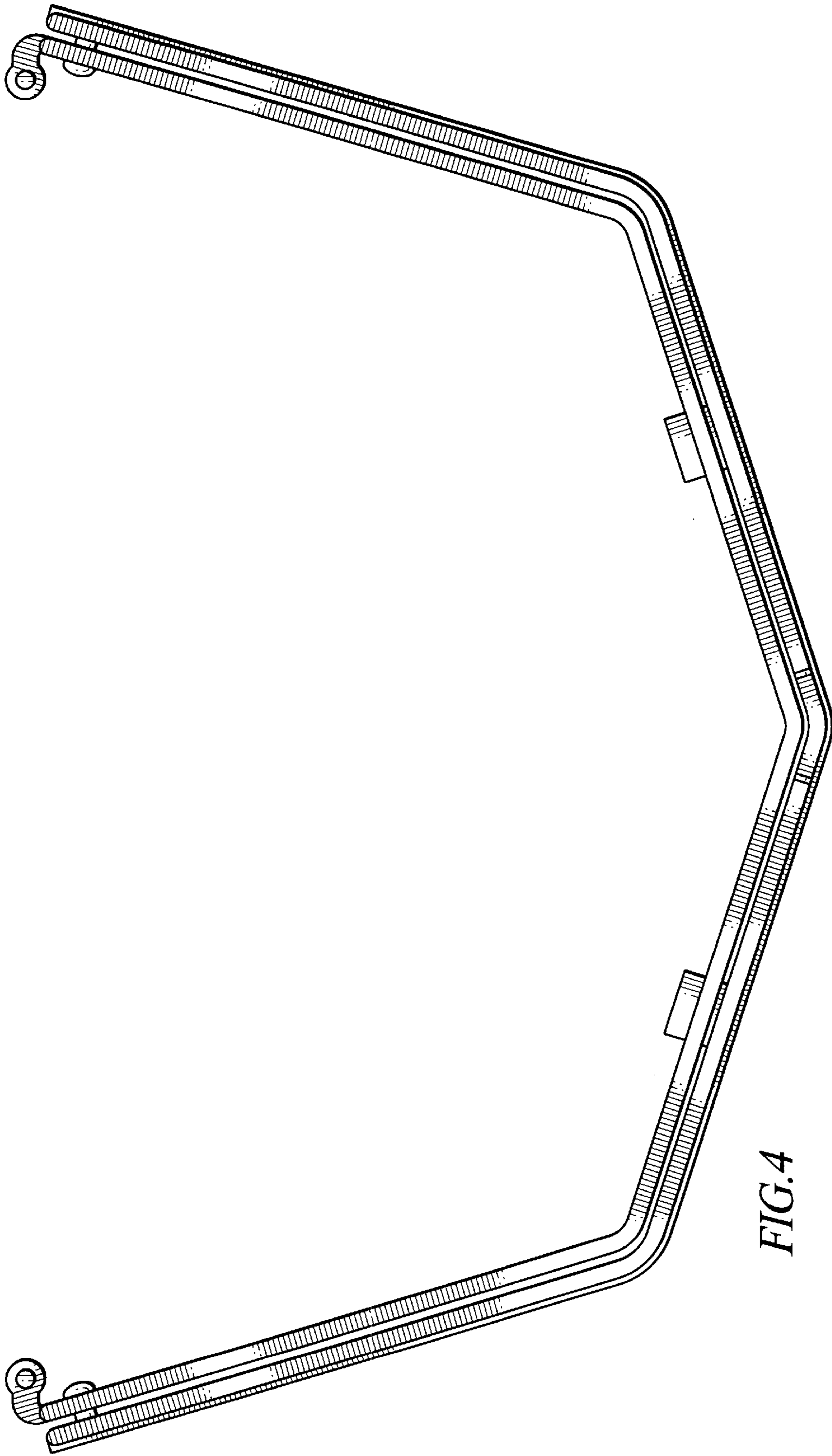


FIG.4



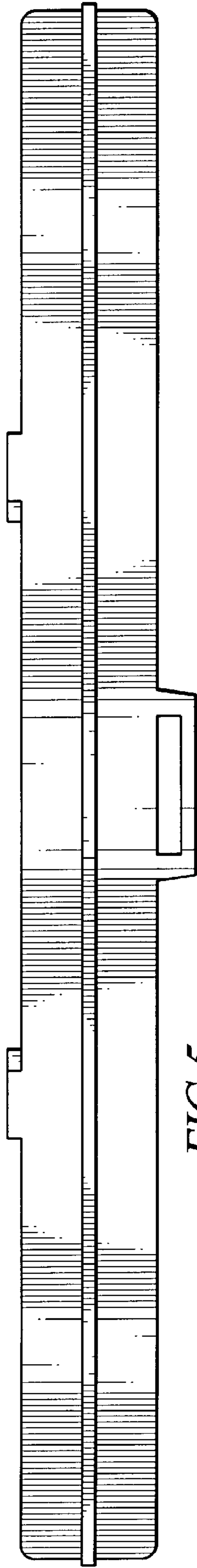


FIG. 5



FIG. 6

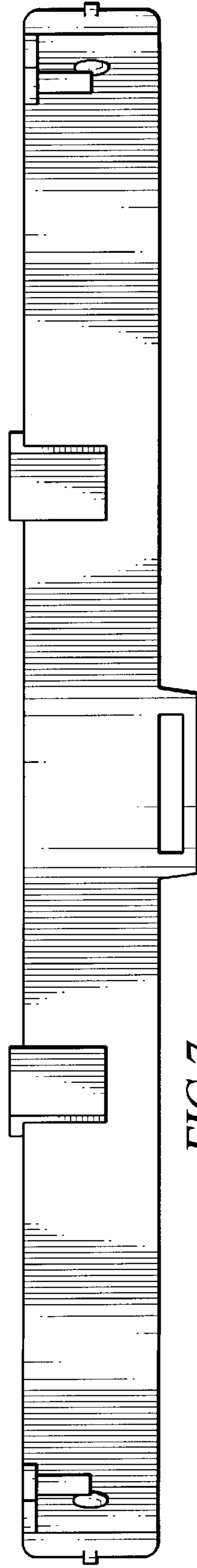
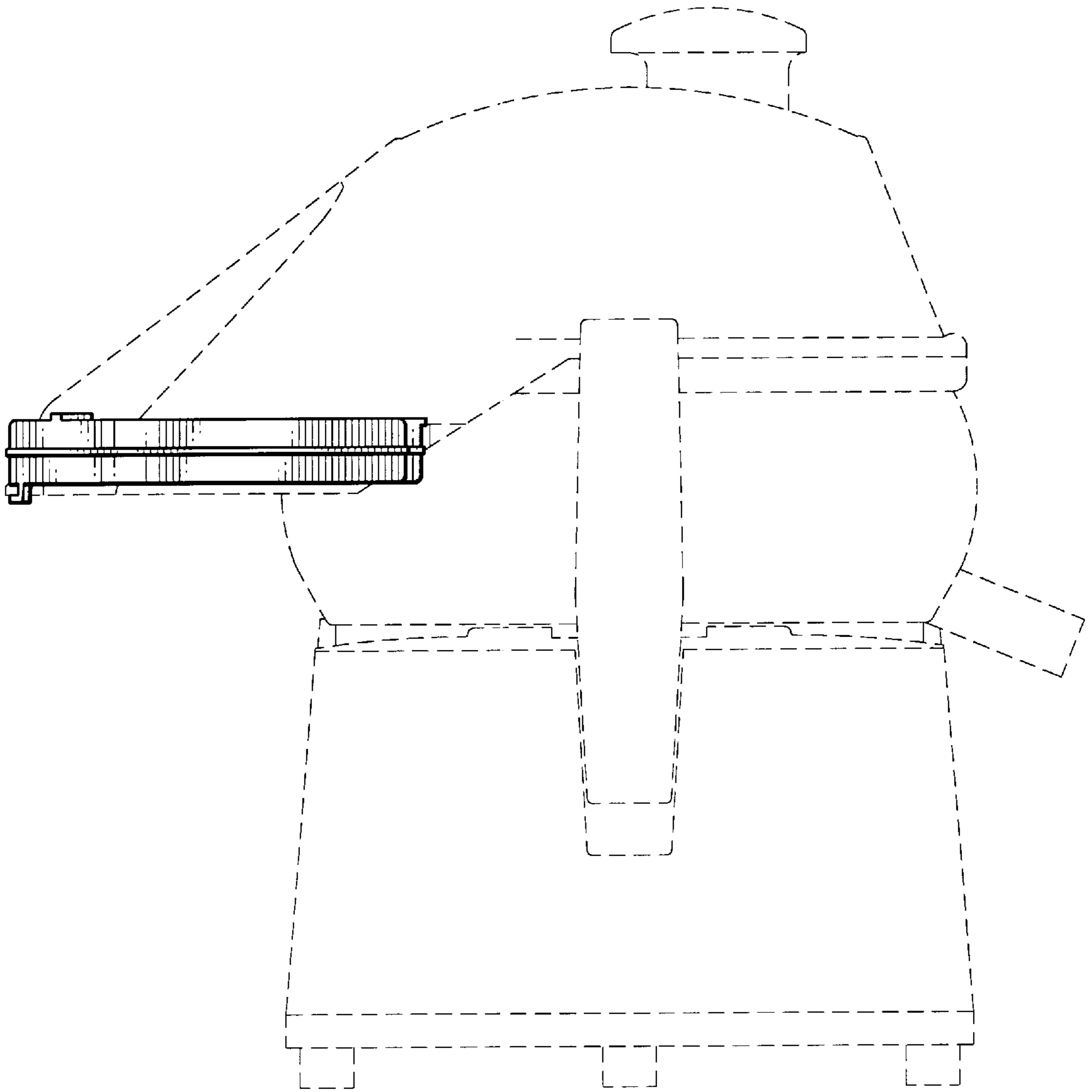


FIG. 7



*FIG. 8*

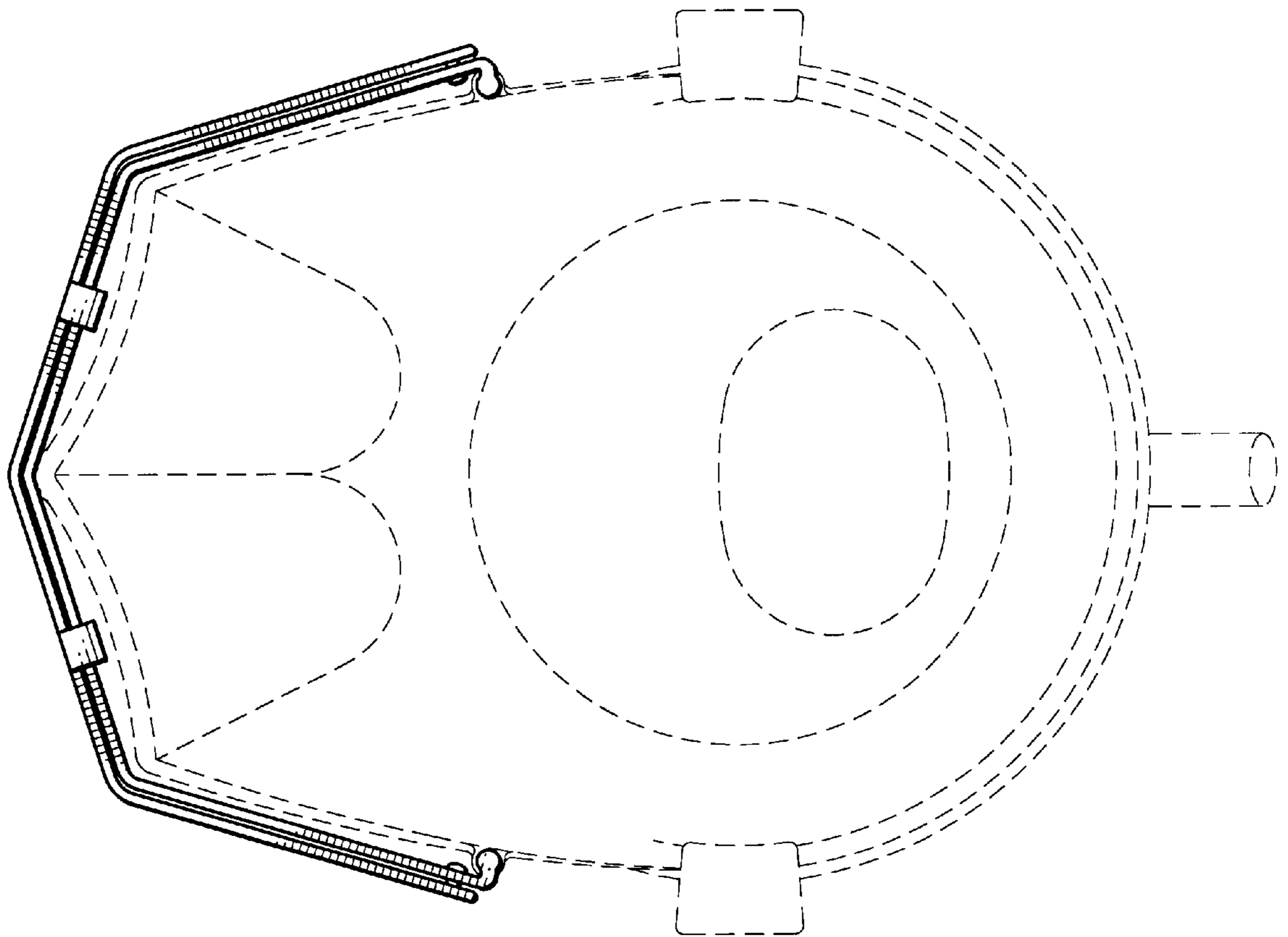
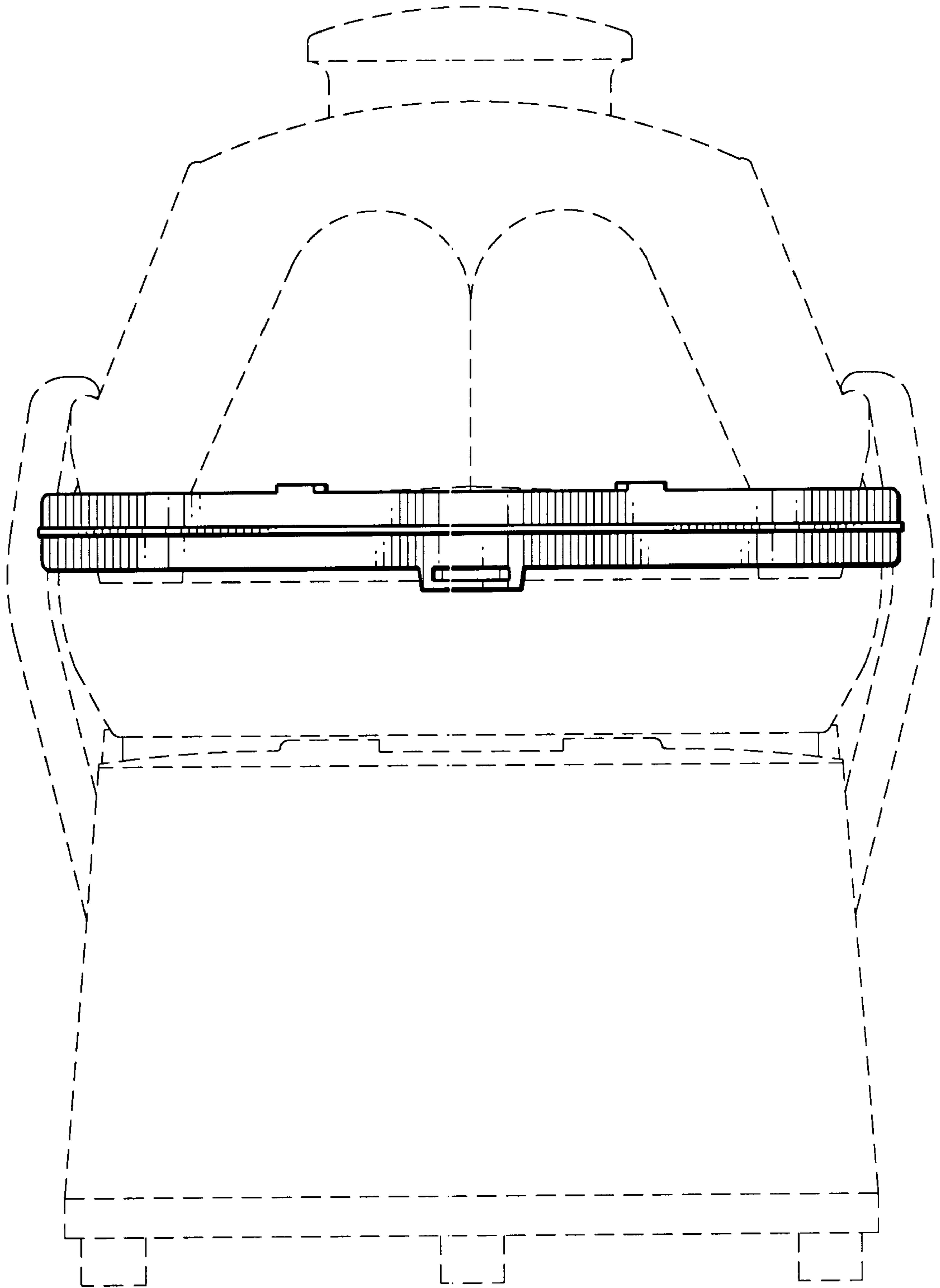


FIG. 9





*FIG. 10*