



US00D419375S

United States Patent [19]
Mangla et al.

[11] **Patent Number: Des. 419,375**
[45] **Date of Patent: ** Jan. 25, 2000**

[54] **WALL FOR CONTAINER**

[75] Inventors: **Raj K. Mangla**, Pittsford, N.Y.; **J. Scott Dellinger**, Buffalo Grove, Ill.; **Mark A. Erickson**, Lindenhurst, Ill.; **Thomas J. Hayes**, McHenry, Ill.; **Suzanne R. Maslach**, Pittsford, N.Y.; **Mark E. Spencer**, Gurnee, Ill.

[73] Assignee: **Tenneco Packaging Inc.**, Lake Forest, Ill.

[**] Term: **14 Years**

[21] Appl. No.: **29/105,024**

[22] Filed: **May 14, 1999**

[51] **LOC (7) Cl.** **07-99**

[52] **U.S. Cl.** **D7/396.1; D7/387; D7/554.3**

[58] **Field of Search** **D7/387, 396.1, D7/543, 545, 554.3, 586, 359, 672; D3/304, 314; D9/424, 425, 432; 220/574, 675; 99/425; 126/390**

[56] **References Cited**

U.S. PATENT DOCUMENTS

D. 105,700	8/1937	Gibson	D9/424
D. 176,031	11/1955	Nowak	D7/543
D. 229,329	11/1973	Jansen	D9/425
D. 274,967	8/1984	Taylor	D3/314

D. 326,412	5/1992	Lesquir	D9/425
D. 361,035	8/1995	Krupa	D9/424
D. 370,176	5/1996	Wyslowsky	D9/425
D. 382,795	8/1997	Abayhan et al.	D9/425
D. 397,610	9/1998	Cooper	D9/425
D. 402,850	12/1998	Davis et al.	D7/545 X
D. 407,949	4/1999	Henry	D7/545
D. 409,485	5/1999	Christy, Jr.	D9/425
3,659,585	5/1972	Bay	99/425 X

Primary Examiner—M. N. Pandozzi
Attorney, Agent, or Firm—Arnold White & Durkee

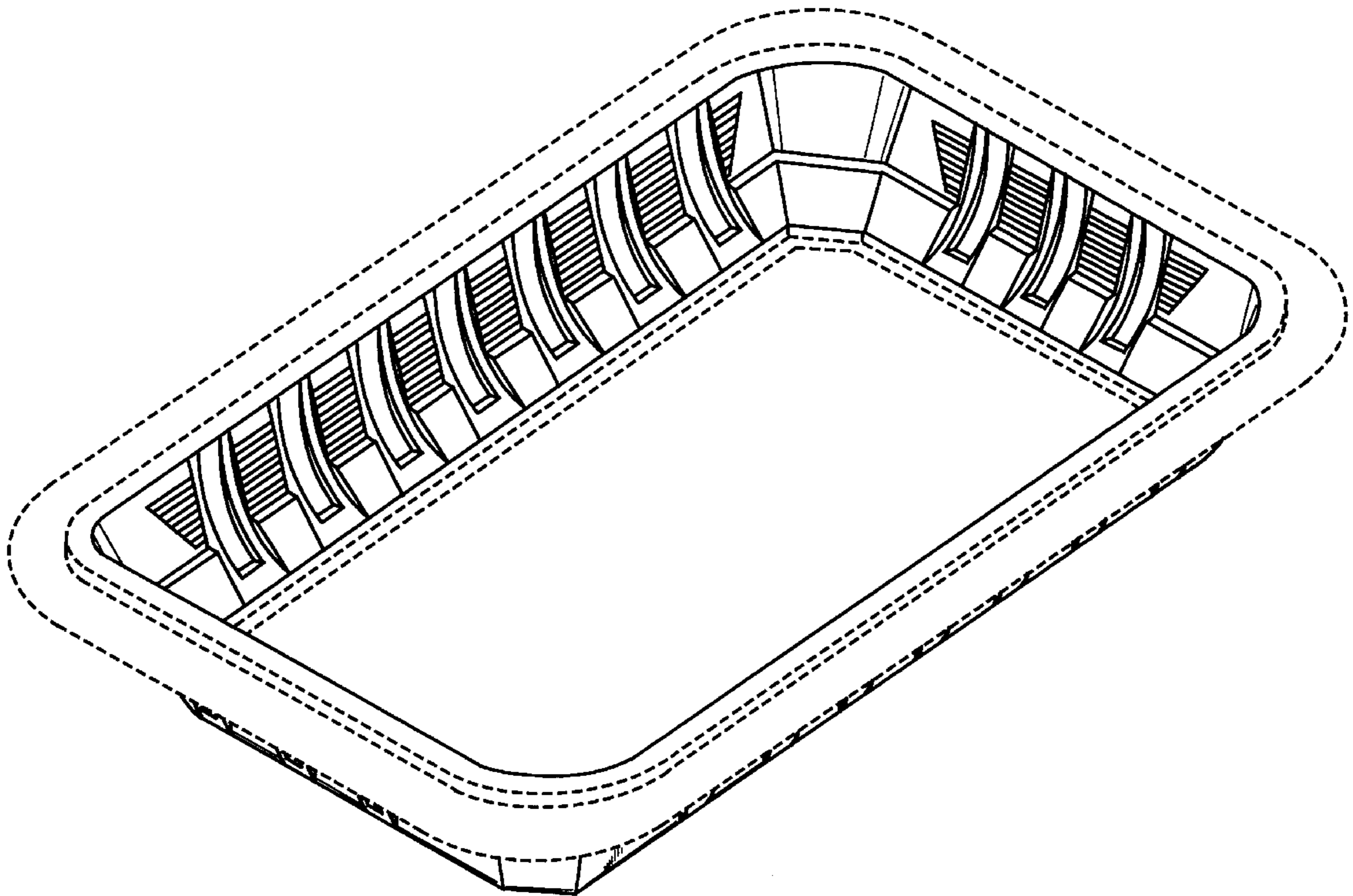
[57] **CLAIM**

The ornamental design for a wall for container, as shown and described.

DESCRIPTION

FIG. 1 is a perspective view of a wall for container showing our new design; FIG. 2 is a right side elevational view of the wall for container; the left side elevational view being a mirror image thereof; FIG. 3 is a front elevational view of the wall for container; the rear elevational view being a mirror image thereof; FIG. 4 is a top plan view of the wall for container; and, FIG. 5 is a bottom plan view of the wall for container. The broken lines are for illustrative purposes only and form no part of the claimed design.

1 Claim, 3 Drawing Sheets



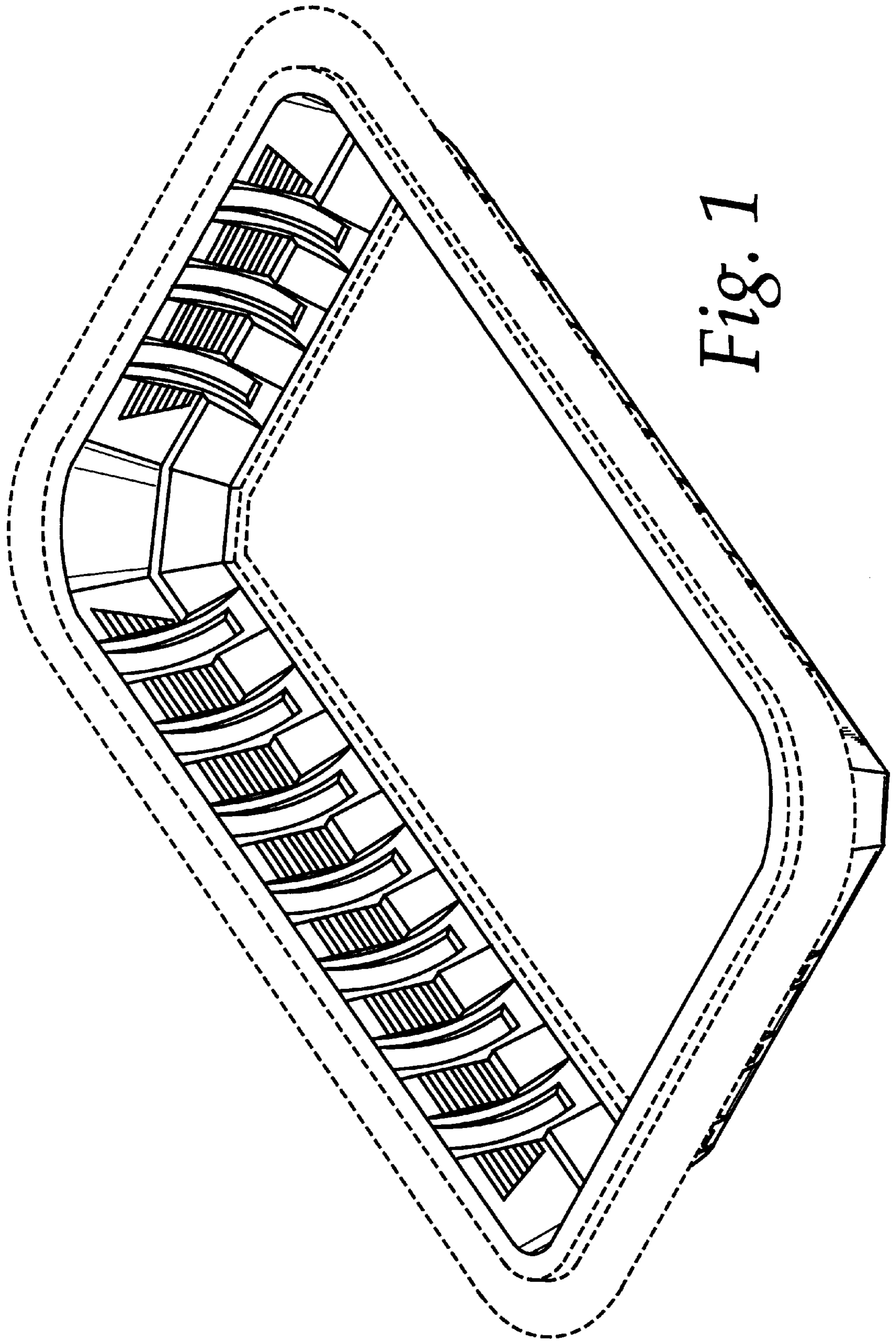


Fig. 1

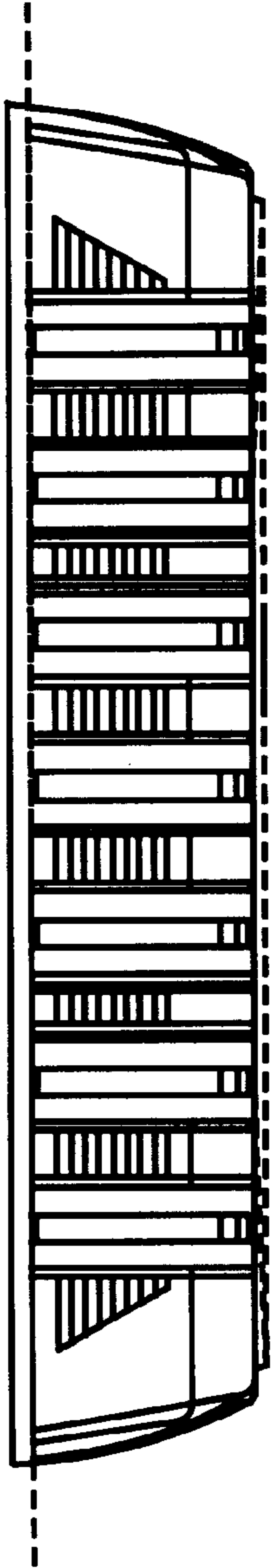


Fig. 2

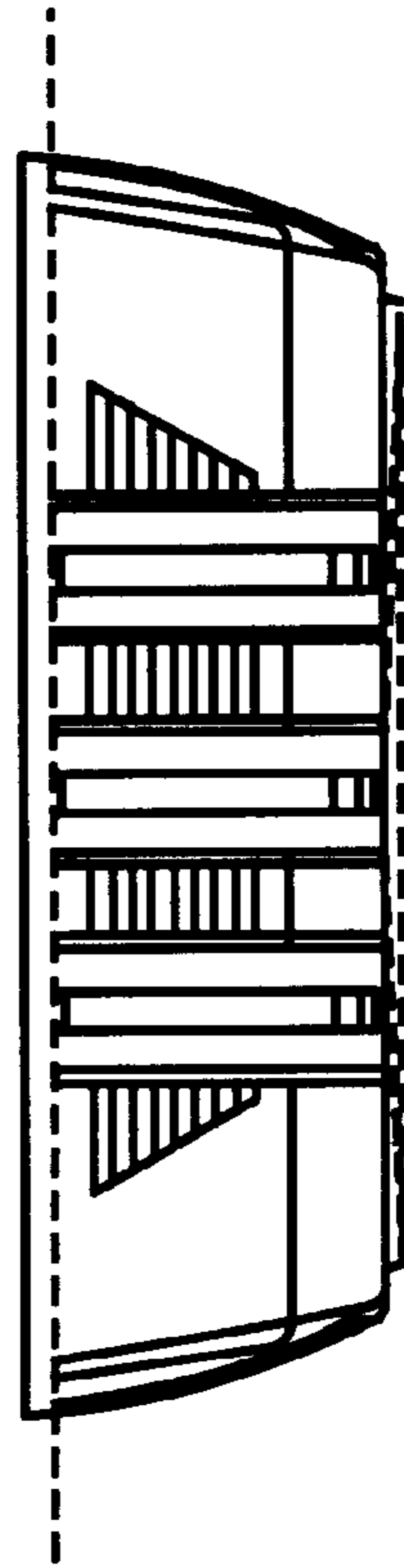


Fig. 3

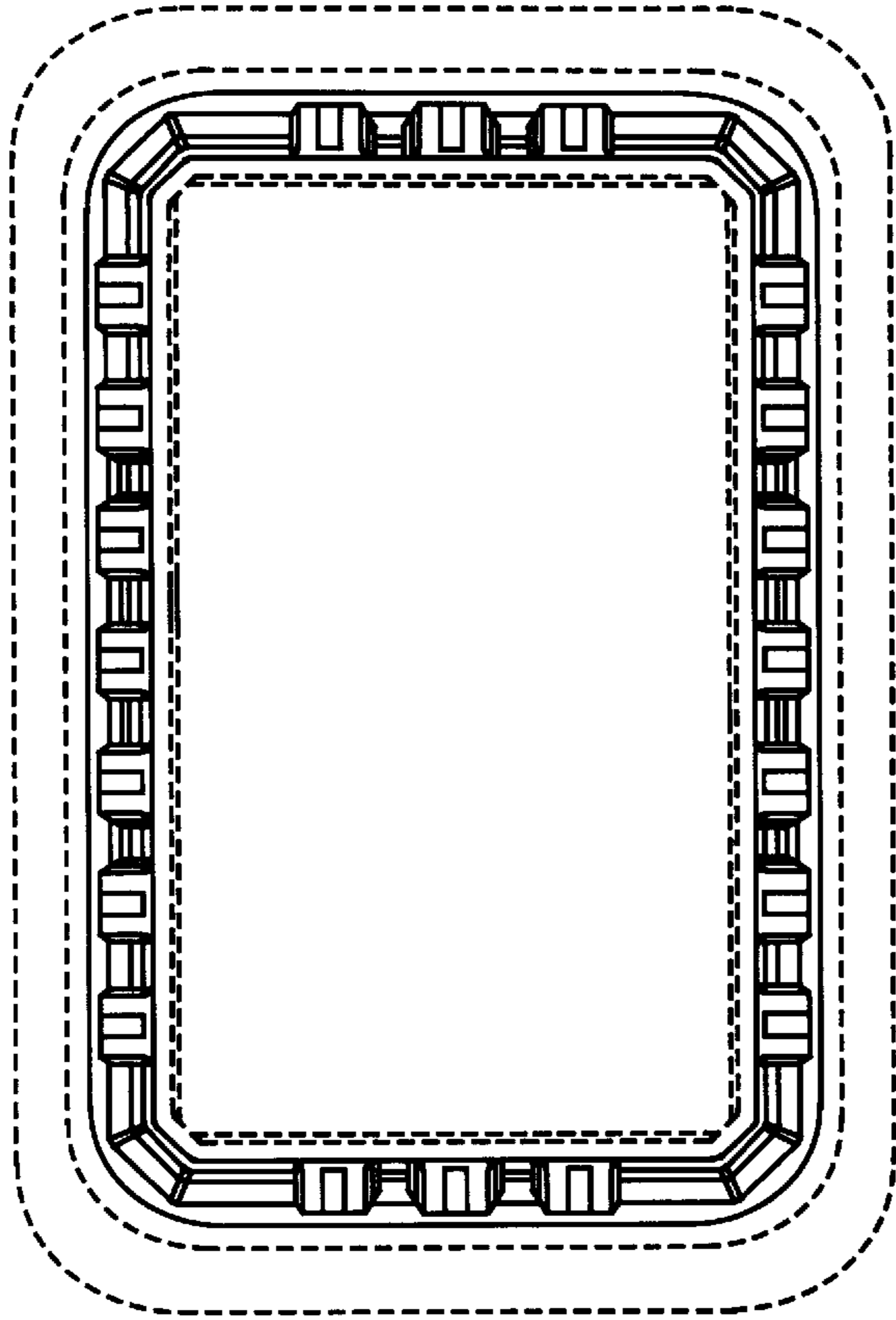


Fig. 5

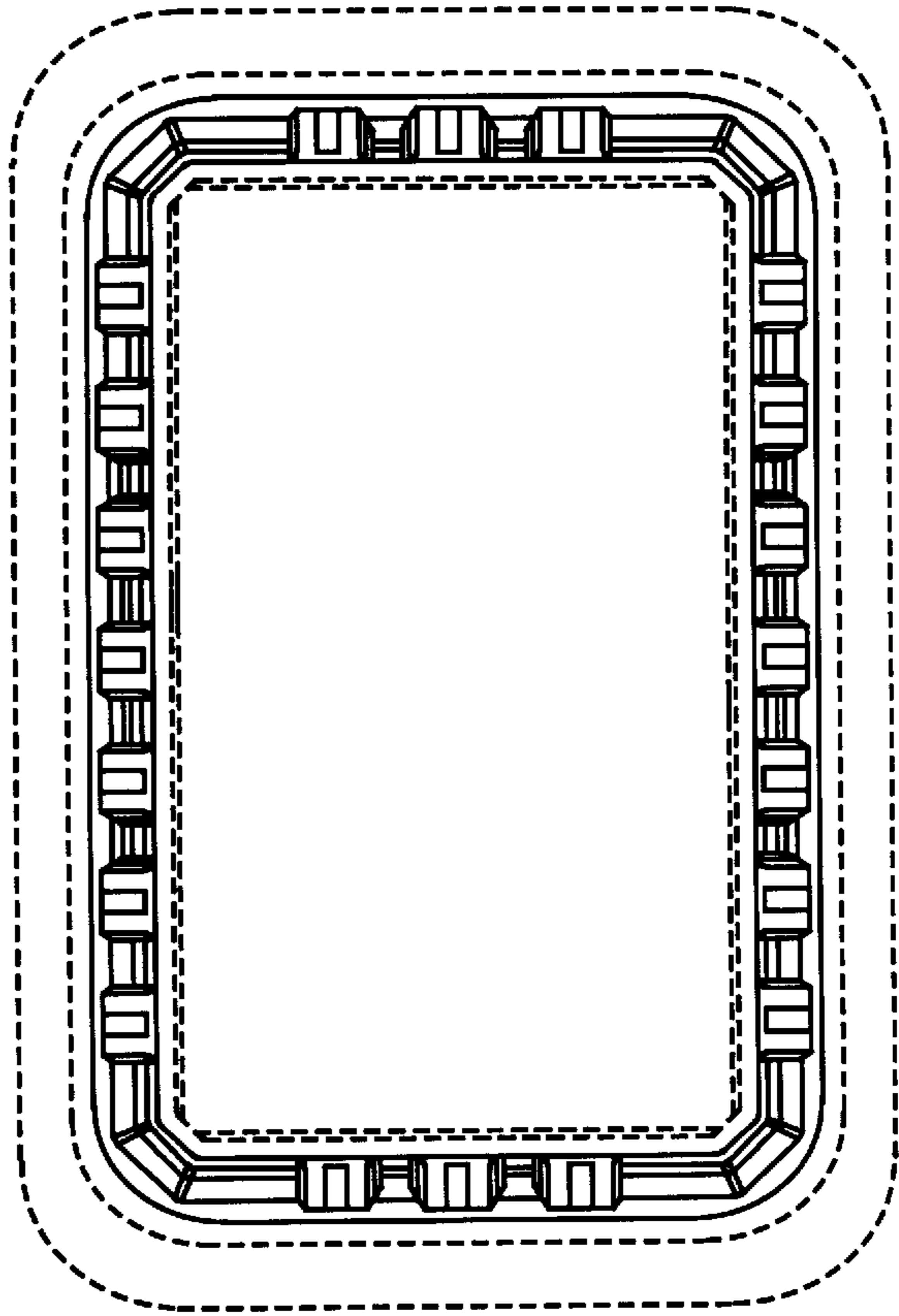


Fig. 4