



US00D419372S

United States Patent [19]
Cheng

[11] **Patent Number: Des. 419,372**
[45] **Date of Patent: ** Jan. 25, 2000**

[54] **KNOB FOR COOKWARE LID**

D. 328,836 8/1992 Unger D7/542
2,137,668 11/1938 Fisher 40/332
4,316,447 2/1982 Foreman 126/369

[76] Inventor: **Stanley Kin-Sui Cheng**, 382 Kwun Tang Road, Kowloon, The Hong Kong Special Administrative Region of the People's Republic of China

Primary Examiner—Caron D. Veynar
Attorney, Agent, or Firm—Blakely Sokoloff Taylor & Zafman

[**] Term: **14 Years**

[57] **CLAIM**

[21] Appl. No.: **29/090,459**

The ornamental design for a “knob for cookware lid”, as shown and described.

[22] Filed: **Jul. 9, 1998**

DESCRIPTION

[30] **Foreign Application Priority Data**

Jan. 9, 1998 [GB] United Kingdom 2071585

FIG. 1 is a perspective view of a knob for cookware lid showing my new design;

[51] **LOC (7) Cl.** **07-02**

FIG. 2 is a top view thereof;

[52] **U.S. Cl.** **D7/393**

FIG. 3 is a side view thereof;

[58] **Field of Search** D7/393, 354–361, D7/391, 392.1, 542; D8/300, 307; D23/254; 16/110 R, 118; 40/332

FIG. 4 is a view of the underside thereof;

FIG. 5 is an opposite side view thereof;

FIG. 6 is view at 90° to side view thereof; and,

FIG. 7 is a view at 270° to side view thereof.

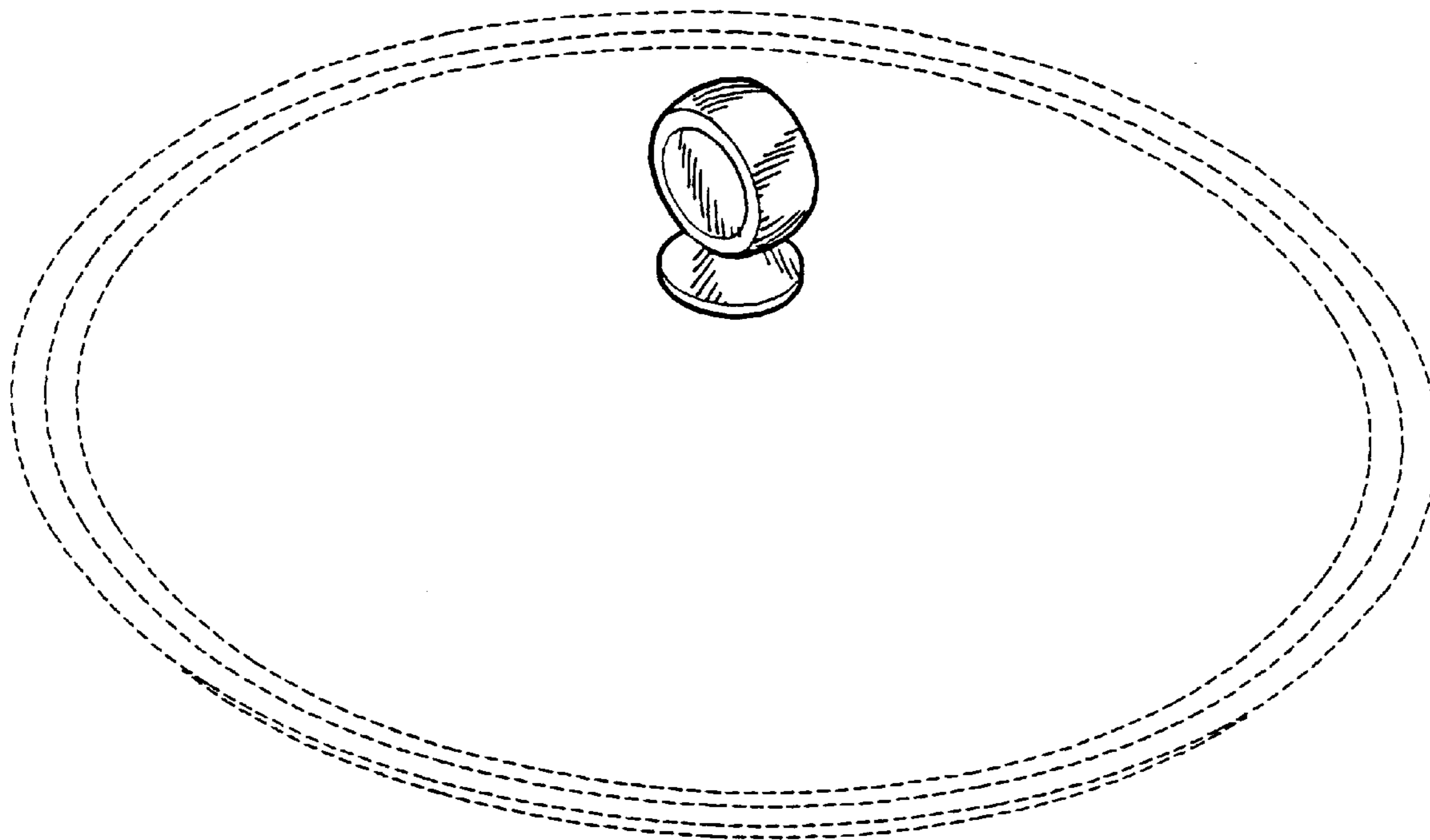
[56] **References Cited**

The lid shown in phantom lines depicts the environment of my new design and forms no part of the design of my invention.

U.S. PATENT DOCUMENTS

D. 312,497 11/1990 Paul D8/307 X

1 Claim, 4 Drawing Sheets



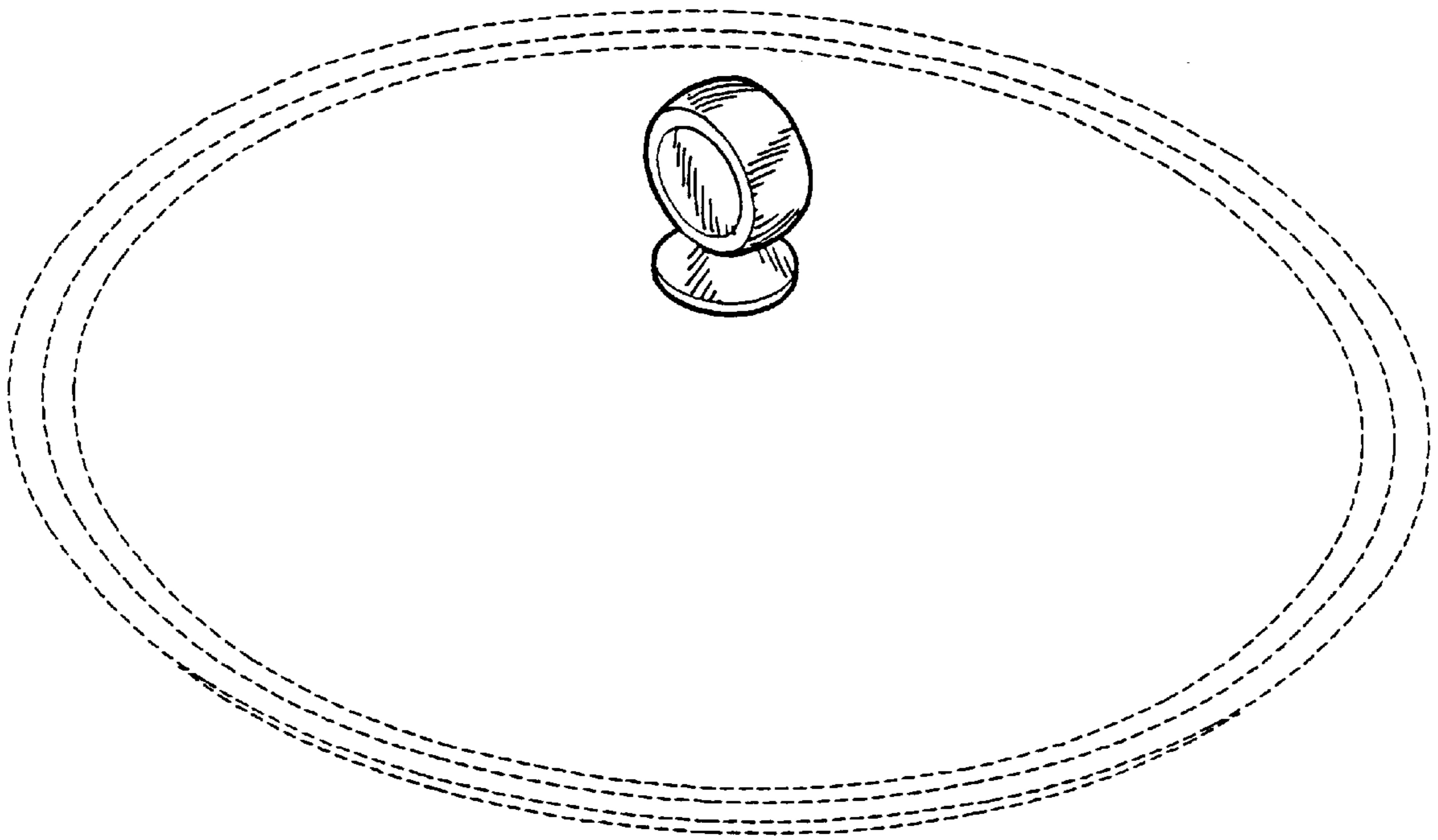


FIG. 1

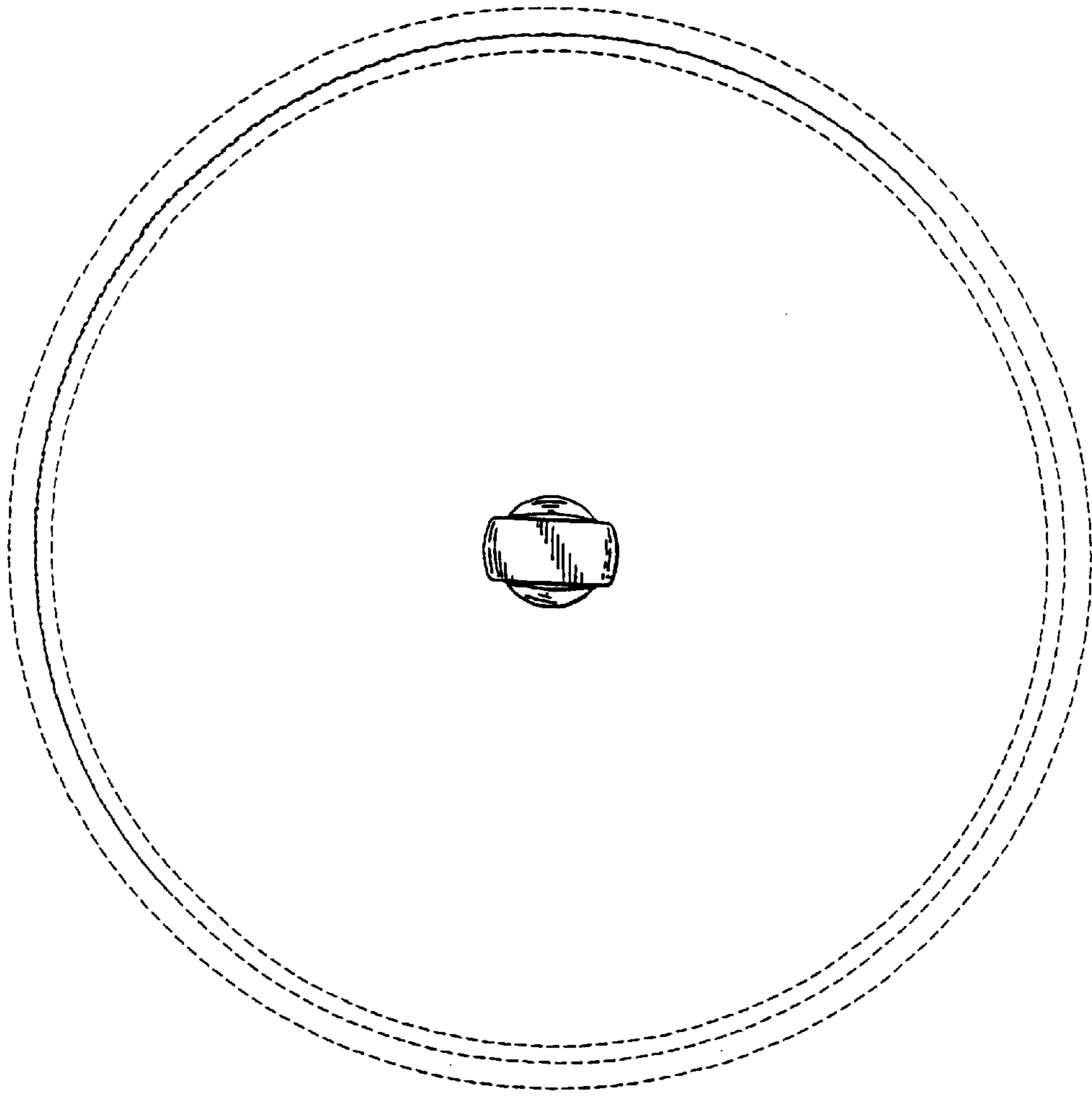


FIG. 2

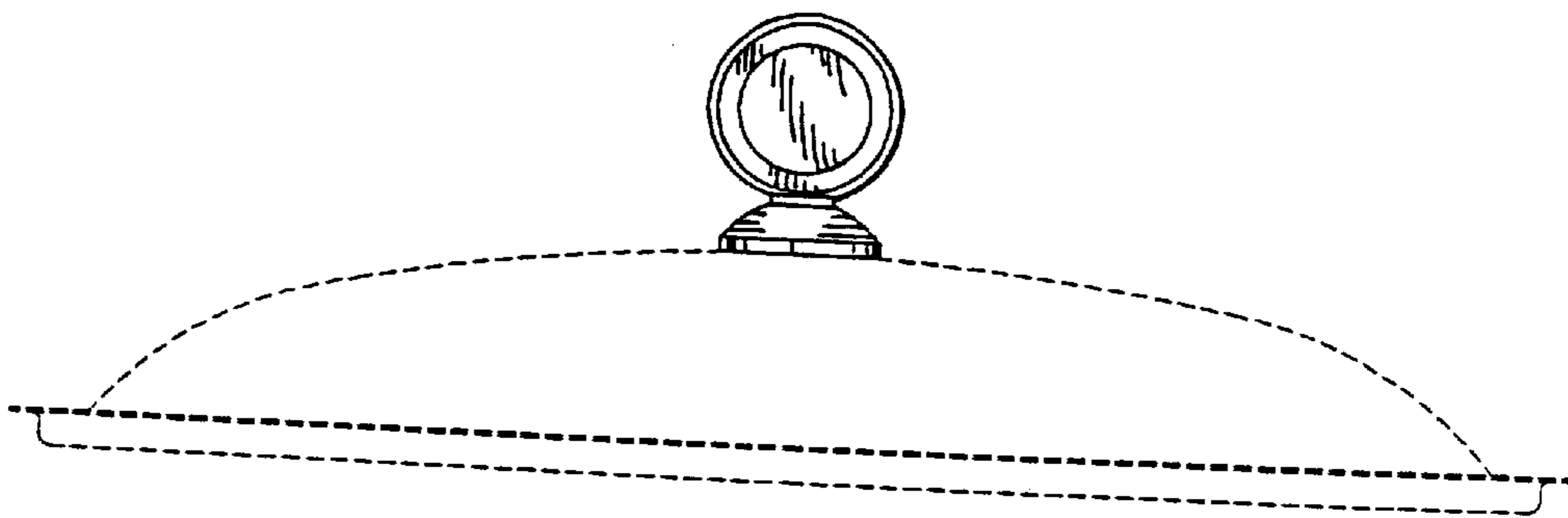


FIG. 3

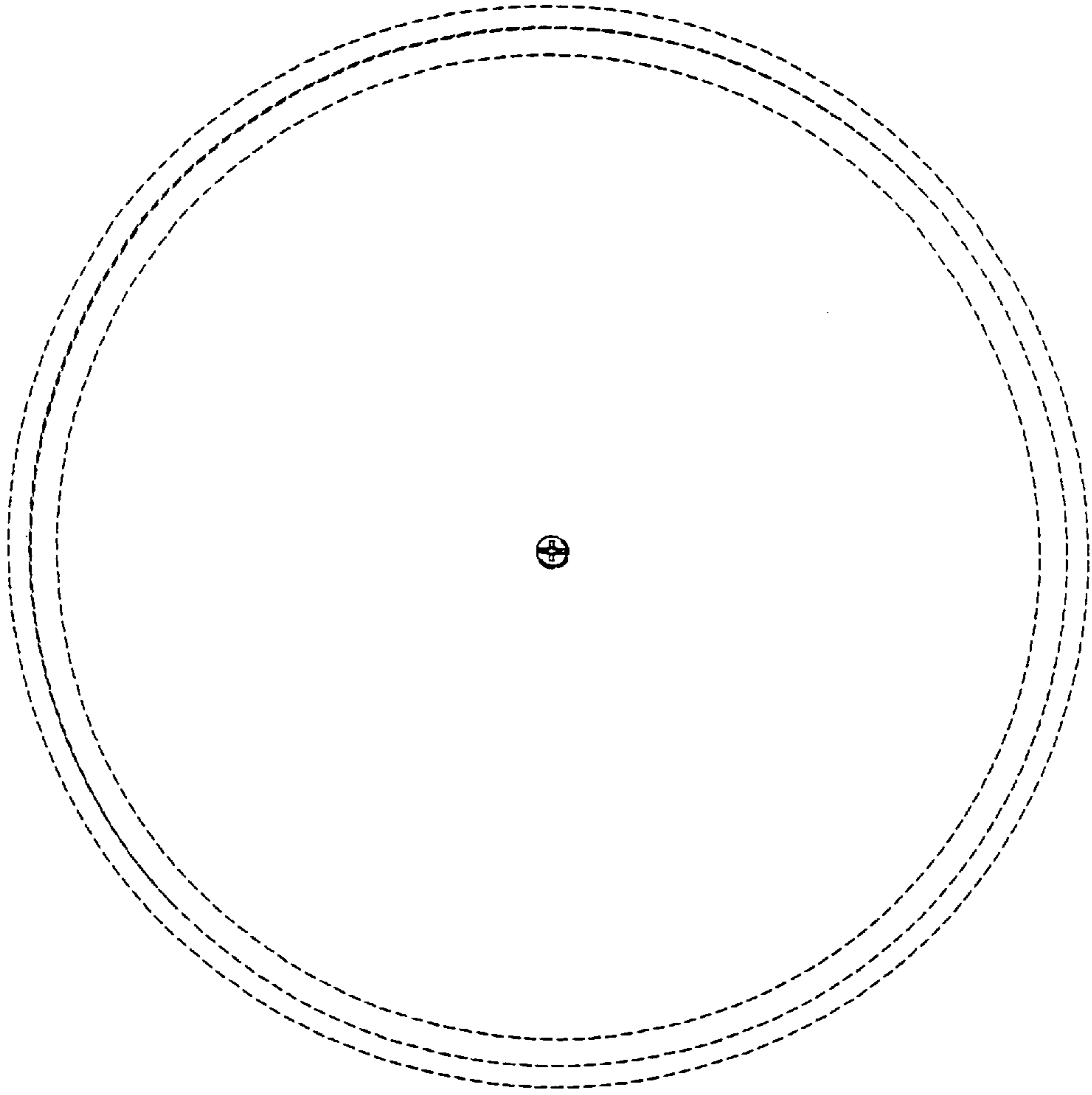


FIG. 4

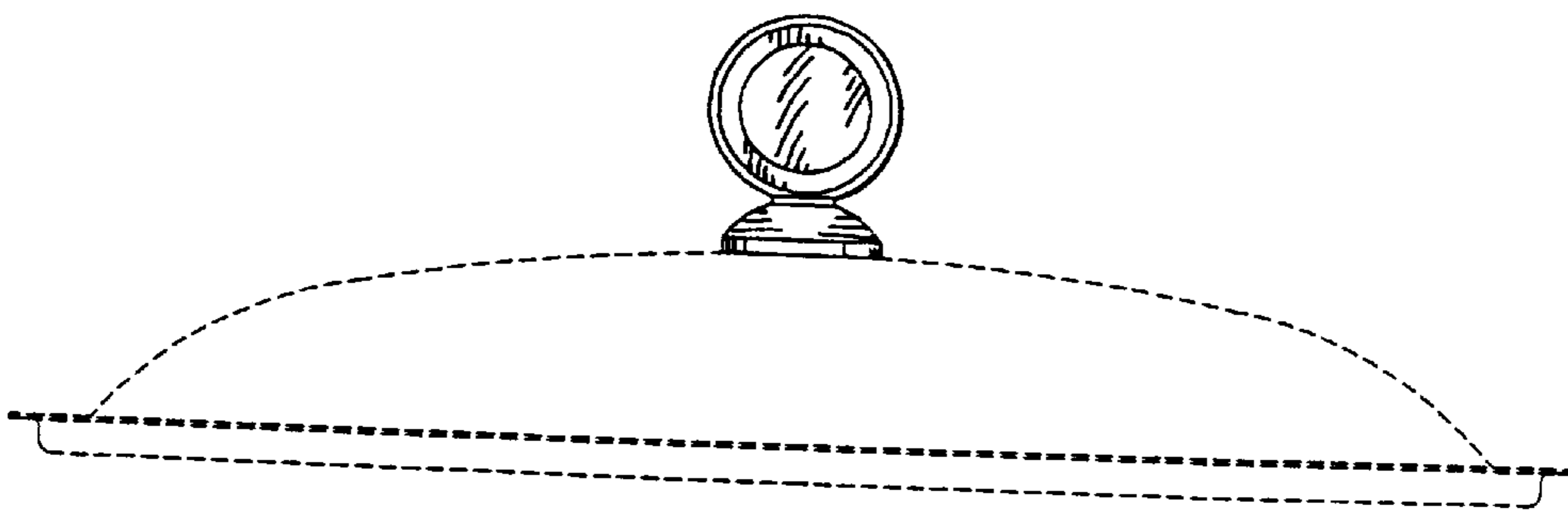


FIG. 5

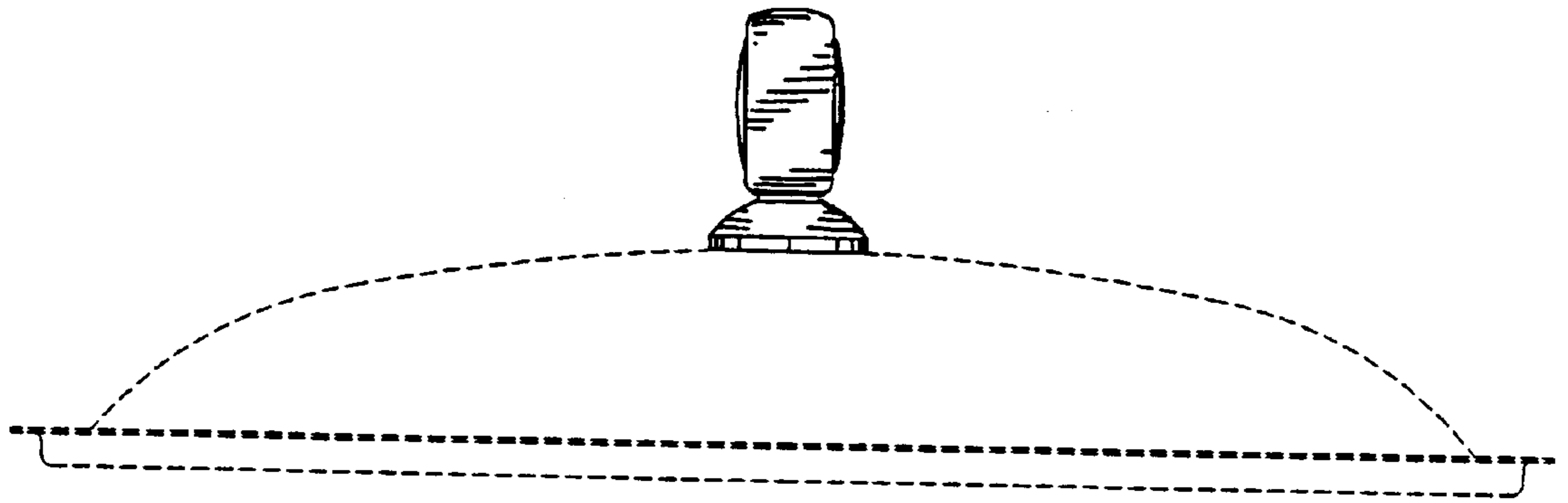


FIG. 6

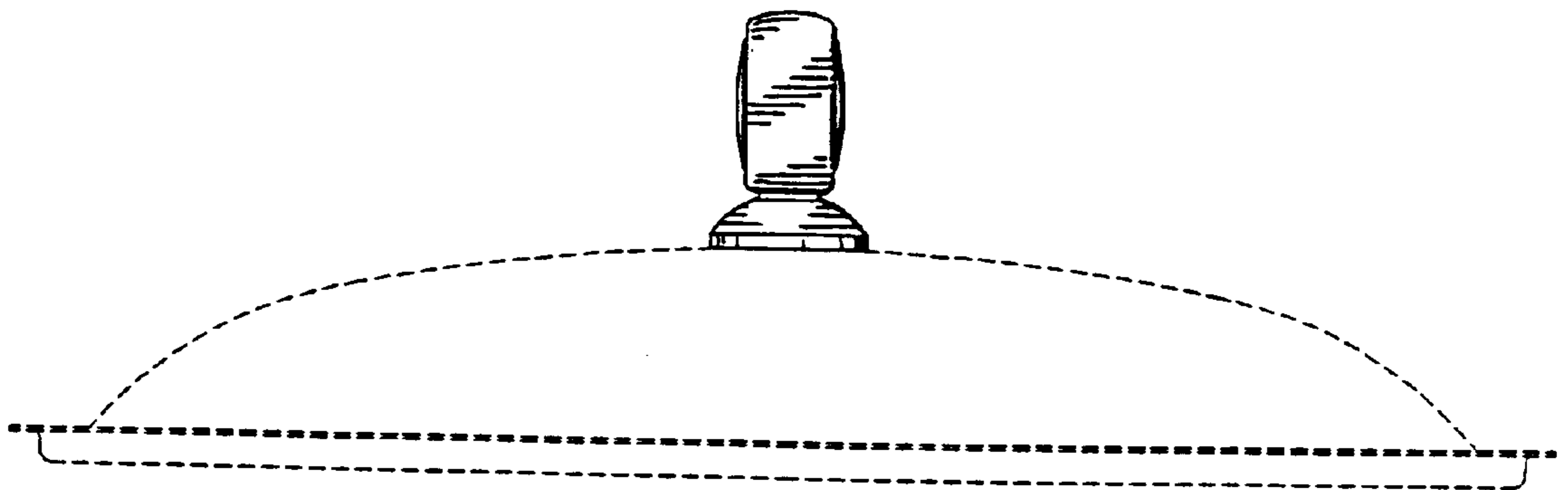


FIG. 7

UNITED STATES PATENT AND TRADEMARK OFFICE
CERTIFICATE OF CORRECTION

PATENT NO. : Des. 419,372
DATED : January 25, 2000
INVENTOR(S) : Cheng

Page 1 of 1

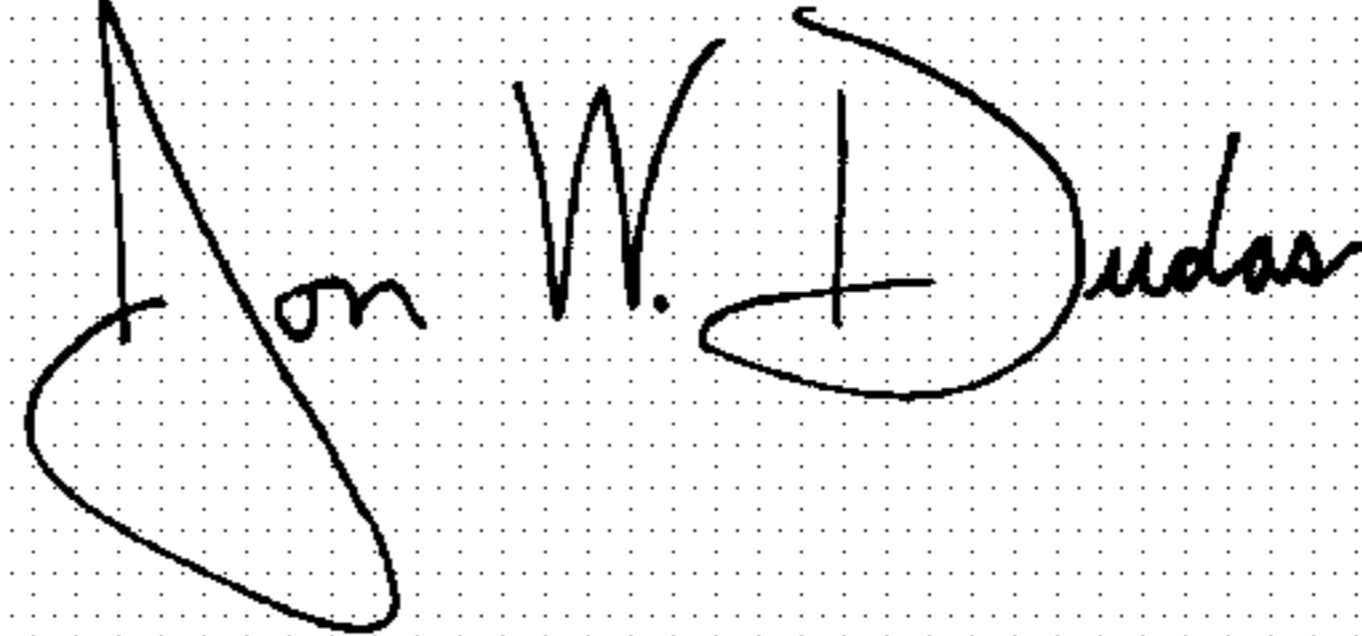
It is certified that error appears in the above-identified patent and that said Letters Patent is hereby corrected as shown below:

Title page,

Item [76], Inventor, please delete "Tang" and insert -- Tong --.

Signed and Sealed this

Twenty-fifth Day of May, 2004

A handwritten signature in black ink on a dotted background. The signature reads "Jon W. Dudas" in a cursive style.

JON W. DUDAS

Acting Director of the United States Patent and Trademark Office