



US00D419370S

United States Patent [19]

Busick et al.

[11] Patent Number: **Des. 419,370**

[45] Date of Patent: **** Jan. 25, 2000**

[54] **CAP FOR A WATER BOTTLE**

[75] Inventors: **Louis M. Busick**, Columbus; **David B. Chaney**, Westerville; **Kenneth J. Hydak**, Worthington, all of Ohio

[73] Assignee: **Oasis Corporation**, Columbus, Ohio

[**] Term: **14 Years**

4,874,023 10/1989 Ulm .
 4,991,635 2/1991 Ulm .
 5,121,778 6/1992 Baker et al. .
 5,259,534 11/1993 Lynd 222/81
 5,295,519 3/1994 Baker et al. 222/83.5 X
 5,395,590 3/1995 Swaniger et al. 215/307 X
 5,413,152 5/1995 Burrows .
 5,464,127 11/1995 Burrows .
 5,676,278 10/1997 Beyer et al. .

[21] Appl. No.: **29/094,481**

[22] Filed: **Oct. 2, 1998**

Primary Examiner—Cathron B. Matta
Attorney, Agent, or Firm—Kelly Bauersfeld Lowry & Kelley, LLP

[51] **LOC (7) Cl.** **07-99**

[52] **U.S. Cl.** **D7/392; D7/398**

[58] **Field of Search** D9/435, 440, 447;
 D7/306, 313, 392, 392.1, 397, 398, 629;
 141/319, 322, 326, 330; 215/307, 310;
 222/81, 83.5, 185.1, 189.09, 464.1

[57] **CLAIM**

The ornamental design for a cap for a water bottle, as shown and described.

[56] **References Cited**

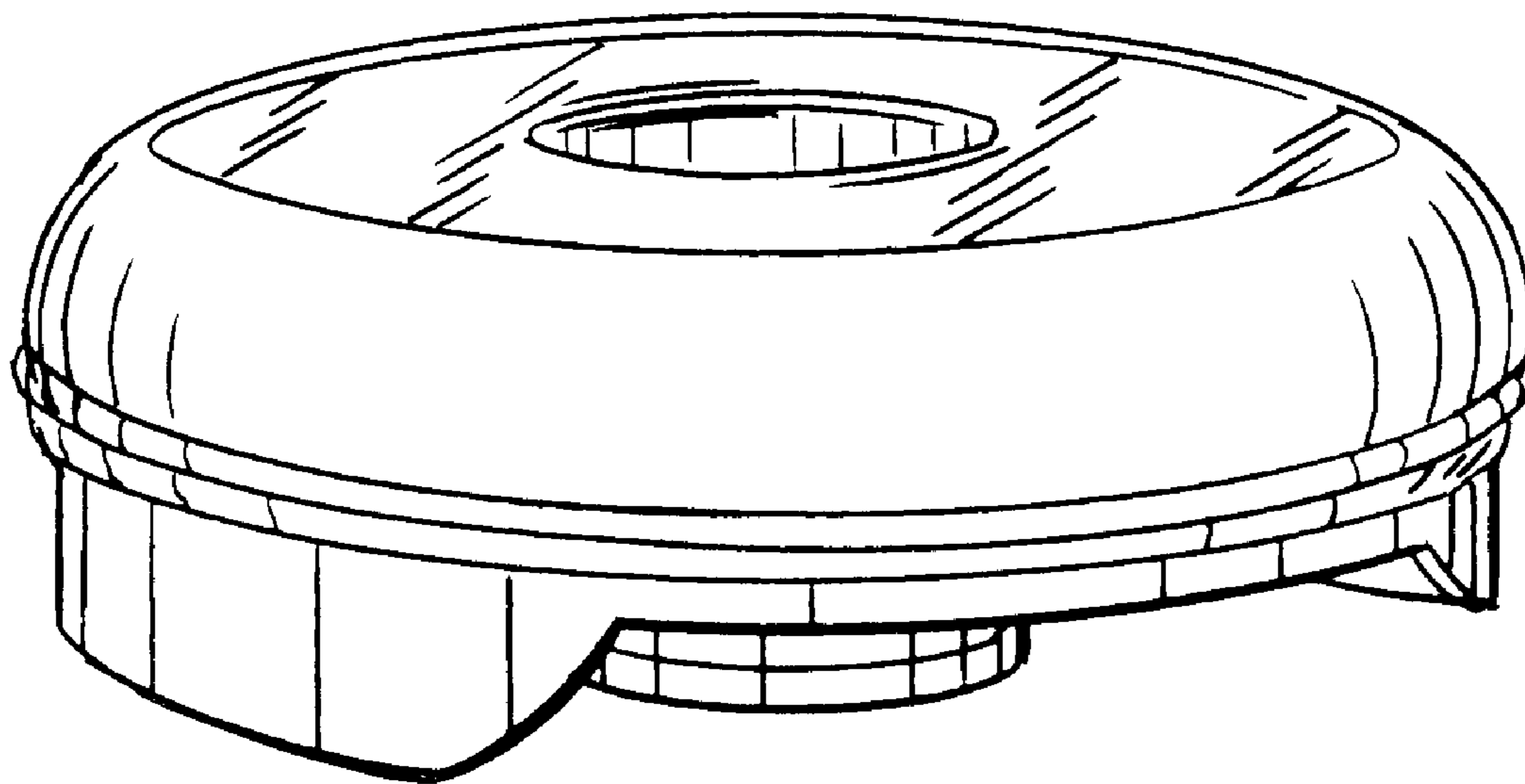
U.S. PATENT DOCUMENTS

D. 248,440	7/1978	Bryan	D7/313
D. 268,394	3/1983	MacEwan	D9/454
D. 369,942	5/1996	Ahern, Jr.	D7/391
1,337,206	4/1920	Doering et al.	.	
4,699,188	10/1987	Baker et al.	.	
4,846,236	7/1989	Dernuntz	.	

DESCRIPTION

FIG. 1 is a perspective view showing the front, top and left sides of a cap for a water bottle embodying our new design; FIG. 2 is a front elevation view thereof, the rear elevation view being identical to the front view as shown; FIG. 3 is a right side elevation view thereof, the left side elevation view being identical to the right side as shown; FIG. 4 is a top plan view thereof; and, FIG. 5 is a bottom plan view thereof.

1 Claim, 2 Drawing Sheets



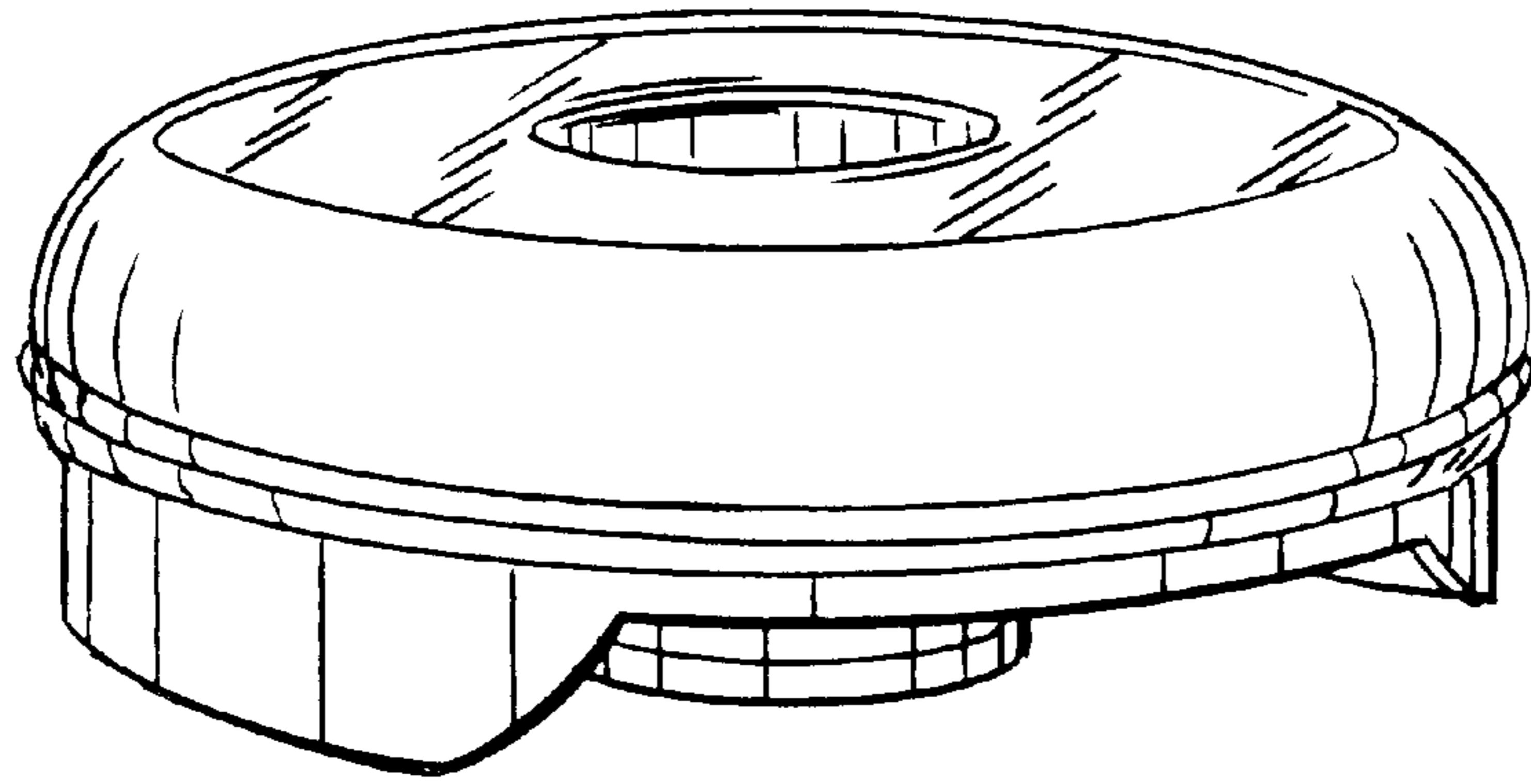


FIG. 1



FIG. 2

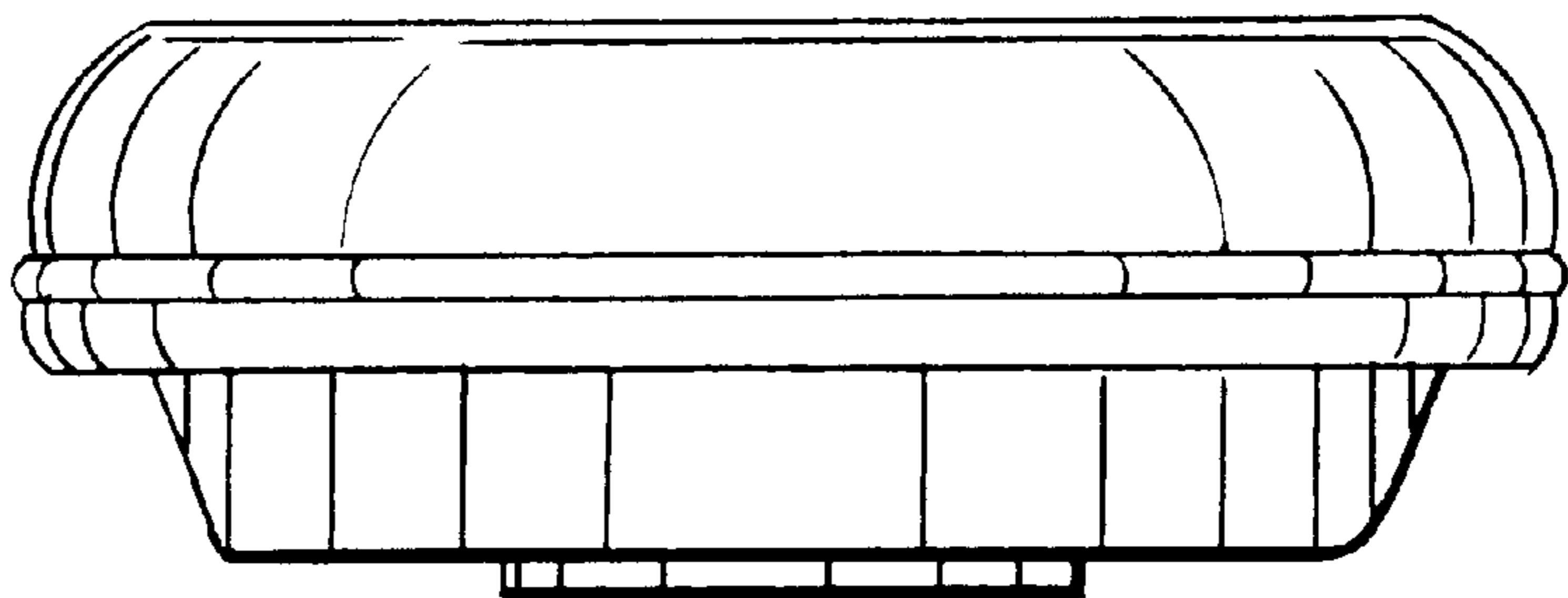


FIG. 3

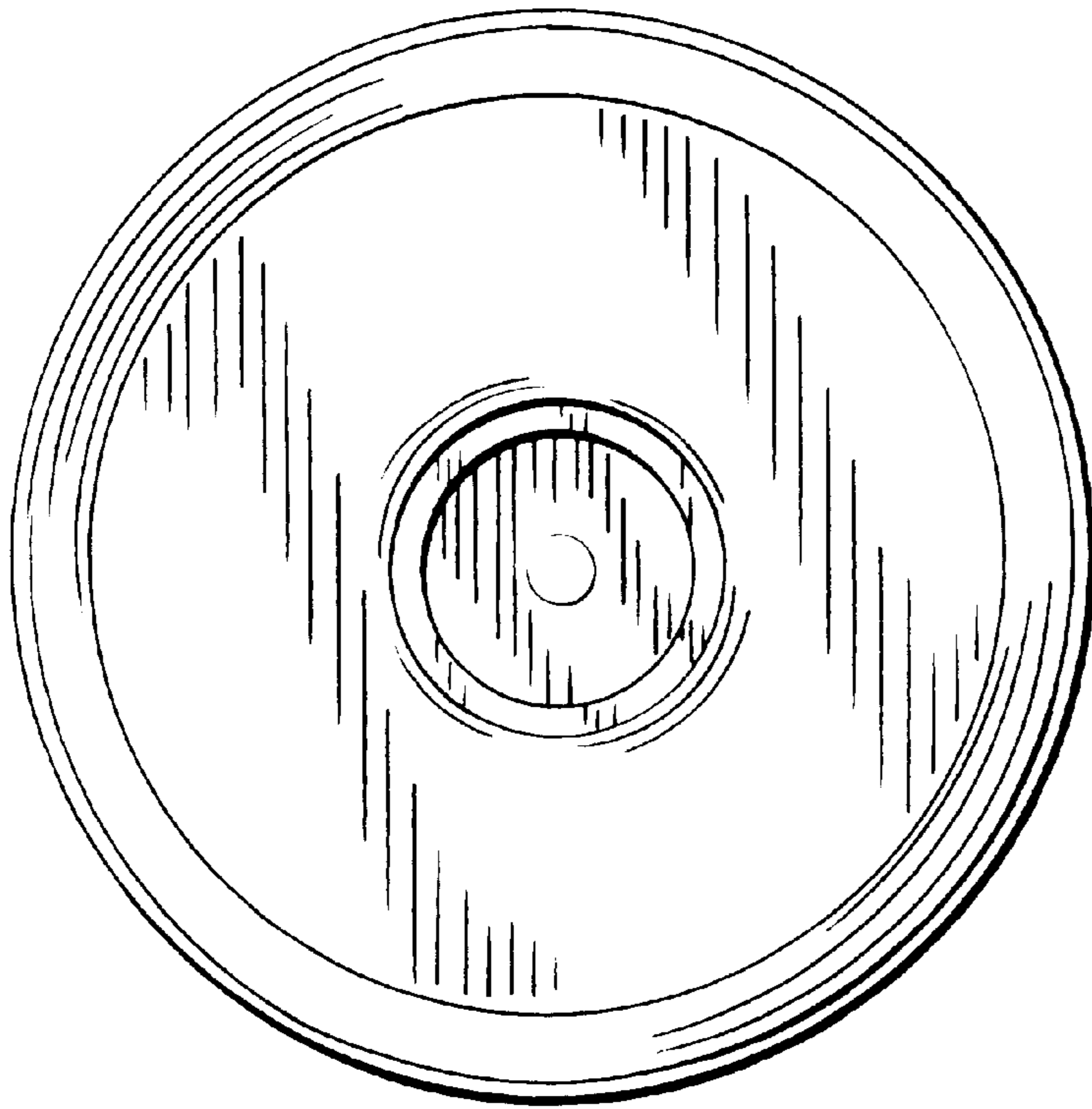


FIG. 4

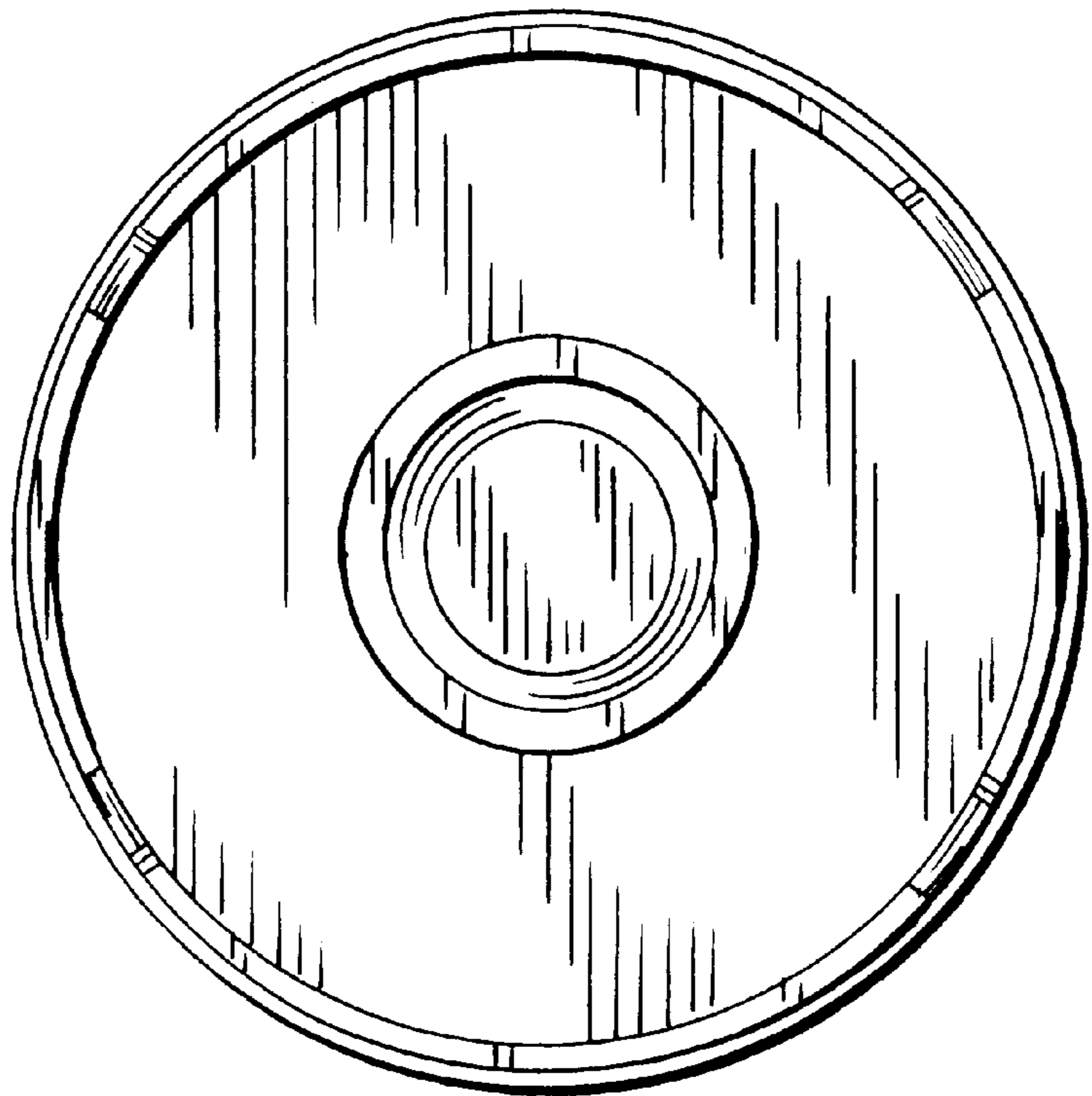


FIG. 5