



US00D419369S

# United States Patent [19]

Naft et al.

[11] Patent Number: Des. 419,369

[45] Date of Patent: \*\* Jan. 25, 2000

[54] LID FOR A BLENDER

[75] Inventors: **Stuart Naft**, Fairfield; **Joseph Toro**, Stratford; **Bernhard Heitz**, Collinsville, all of Conn.

[73] Assignee: **HP Intellectual Corp.**, Wilmington, Del.

[\*\*] Term: **14 Years**

[21] Appl. No.: **29/098,308**

[22] Filed: **Dec. 23, 1998**

[51] LOC (7) Cl. .... **31-00**

[52] U.S. Cl. .... **D7/391**

[58] Field of Search ..... D7/376, 378, 381, D7/384, 391-392.1; 366/129, 197, 205; 220/296, 306, 355, 356, 375, 377, 740, 268; D9/435, 454, 443

2,852,054 9/1958 Motley ..... 220/834

2,958,439 11/1960 Yochem ..... 220/834

3,199,707 8/1965 Folkman ..... 215/306

3,235,117 2/1966 Mason, Jr. .... 215/256

3,419,179 12/1968 Deuschle ..... 220/375

3,469,725 9/1969 Turner ..... 215/225

3,612,322 10/1971 Linkletter ..... 215/225

3,820,692 6/1974 Swett ..... D7/378 X

3,848,780 11/1974 Stull ..... 215/211

3,904,062 9/1975 Grussen ..... 215/252

4,002,275 1/1977 Crowle ..... 222/543

4,065,035 12/1977 Eissler ..... 220/375 X

4,339,056 7/1982 Berkstresser ..... 220/375

4,345,704 8/1982 Boughton ..... 224/414

4,548,332 10/1985 Neat ..... 220/268

4,655,363 4/1987 Neat ..... 220/268

5,004,114 4/1991 Terbrusch ..... 220/296

5,593,054 1/1997 Glynn ..... 215/225

5,765,716 6/1998 Cai ..... 220/740

Primary Examiner—Caron D. Veynar  
 Attorney, Agent, or Firm—Barry E. Deutsch

[56] **References Cited**

U.S. PATENT DOCUMENTS

65,614 6/1867 Shaler ..... 220/369

D. 168,693 1/1953 Kochner ..... D7/391

D. 176,258 12/1955 Hill ..... D7/391

D. 209,493 12/1967 Le Sueur ..... D7/378

D. 347,966 6/1994 Doggett ..... D7/378

D. 349,423 8/1994 Burgel ..... D7/378

D. 369,942 5/1996 Ahern ..... D7/391

D. 370,151 5/1996 McLinden ..... D7/378

D. 373,504 9/1996 Leverrier ..... D7/378

D. 383,939 9/1997 Jeppesen et al. .... D7/391

D. 391,442 3/1998 Sundquist ..... D7/378

D. 394,986 6/1998 Lallemand ..... D7/378

D. 396,990 8/1998 Leverrier ..... D7/378

D. 412,639 8/1999 Demore ..... D7/391

D. 412,809 8/1999 Toro et al. .... D7/378

[57] **CLAIM**

The ornamental design for a lid for a blender, as shown and described.

**DESCRIPTION**

FIG. 1 is a perspective view taken from the top right and right side, illustrating our design of a lid for a blender; FIG. 2 is an elevation view thereof taken from the right side as viewed in FIG. 1; FIG. 3 is an elevation view of our new design taken from the left side as viewed in FIG. 1; FIG. 4 is an elevation view of our new design taken from the rear as viewed in FIG. 1; FIG. 5 is a top plan view of our new design; and, FIG. 6 is a bottom plan view thereof.

1 Claim, 2 Drawing Sheets

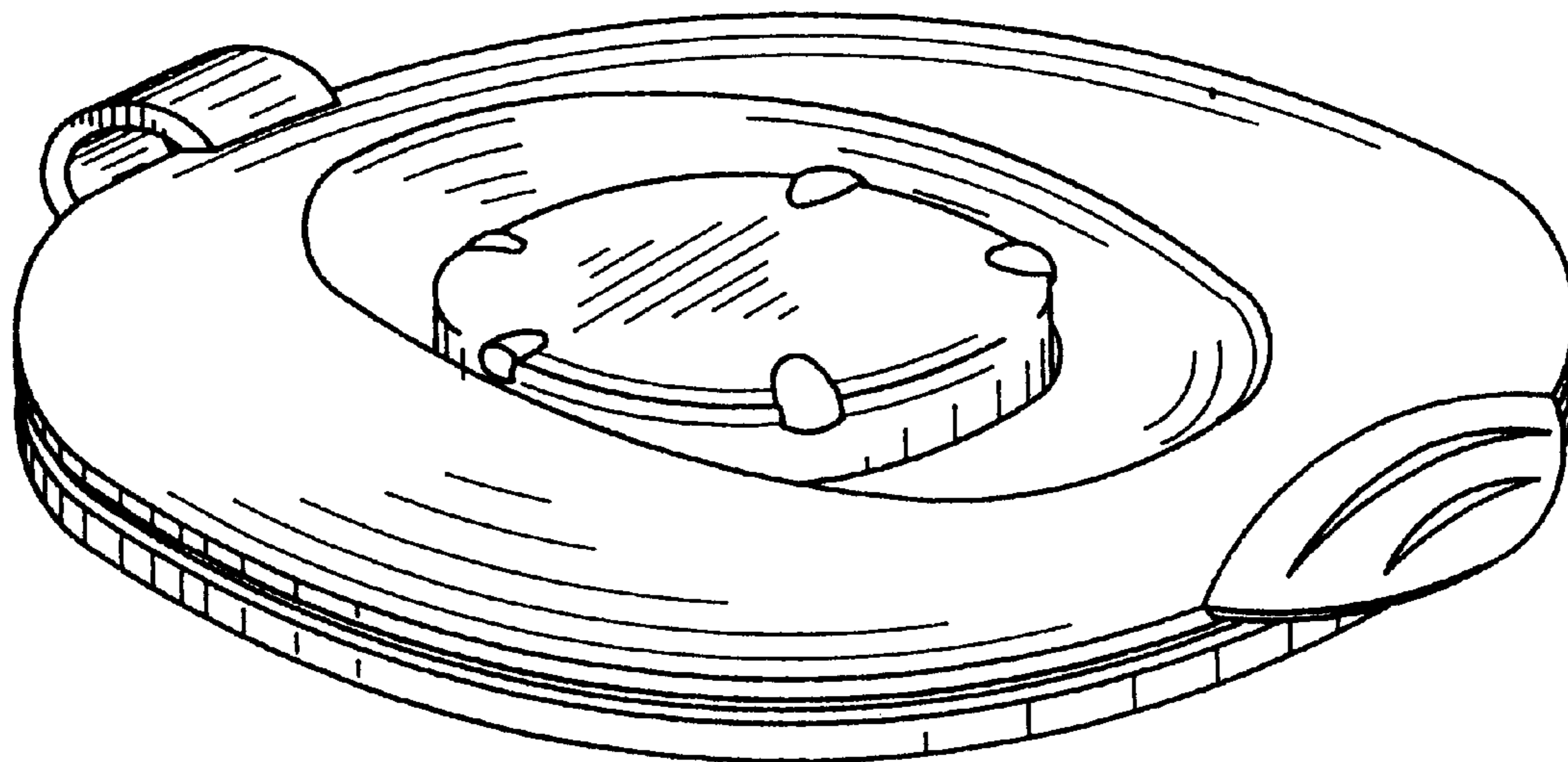


FIG. 1

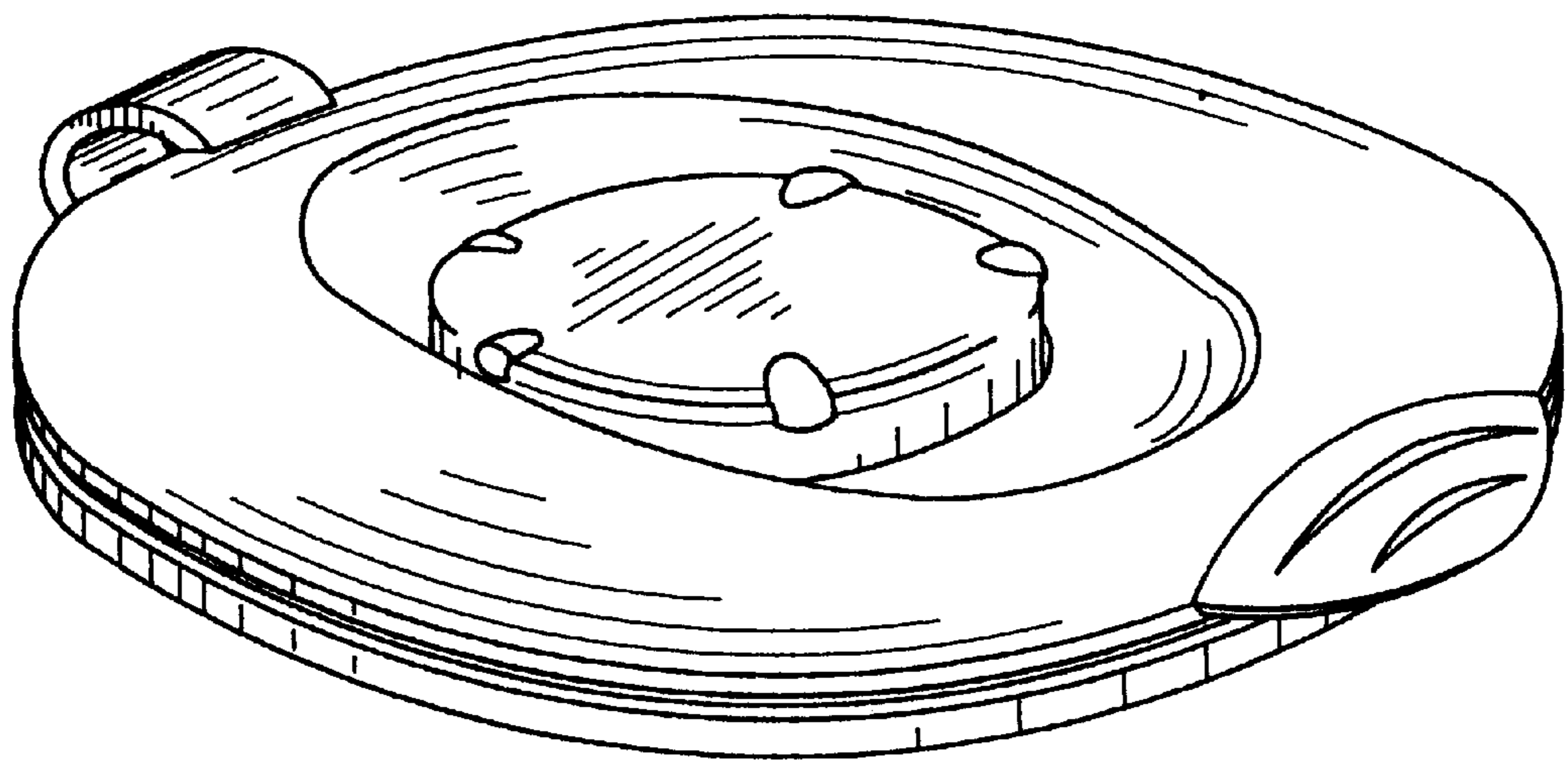


FIG. 2

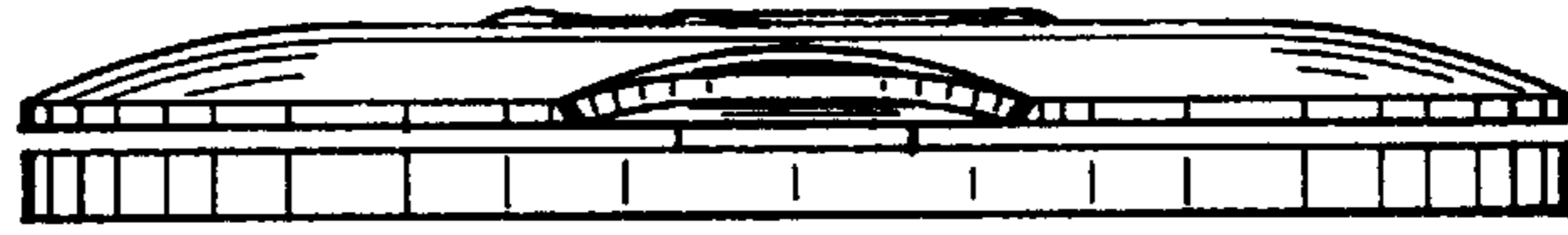


FIG. 3



FIG. 4

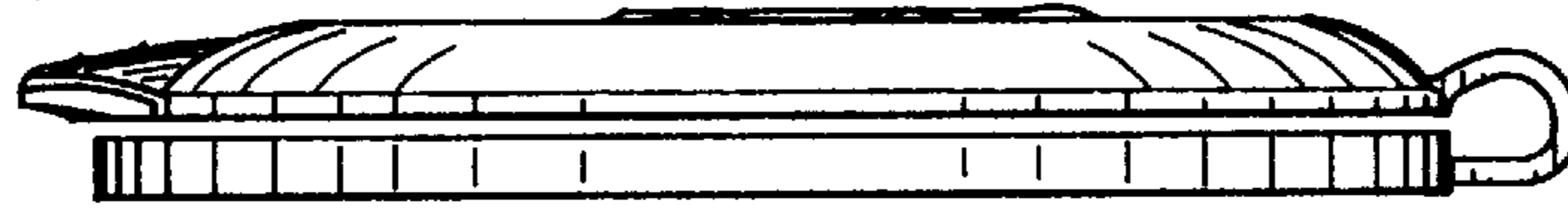


FIG. 5

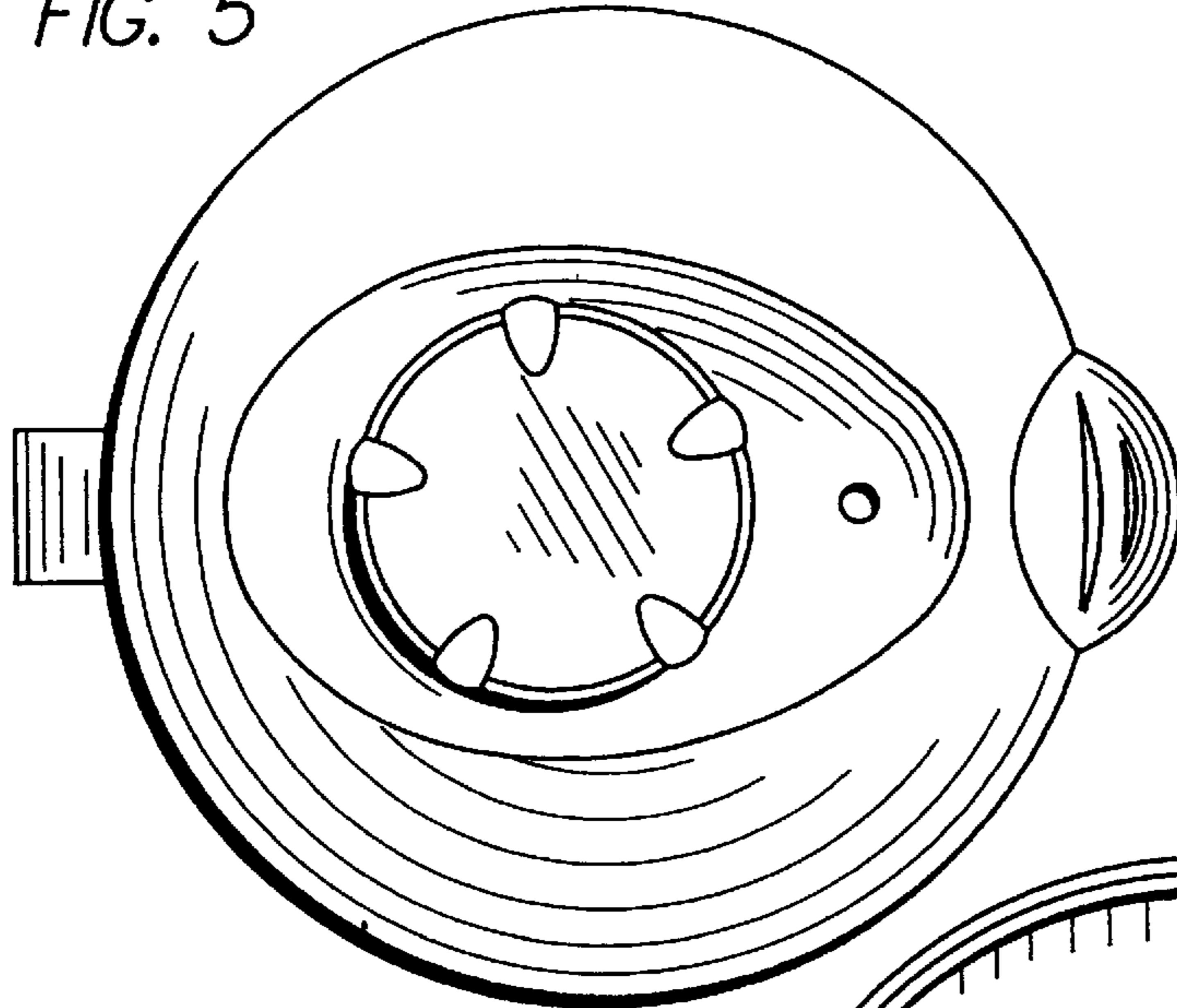


FIG. 6

