



US00D419367S

United States Patent [19] Kin

[11] **Patent Number: Des. 419,367**

[45] **Date of Patent: ** Jan. 25, 2000**

[54] **FOOD PROCESSOR**

[75] Inventor: **John Mak Chi Kin**, Hong Kong, China

[73] Assignee: **Windmere Corporation**, Miami Lakes, Fla.

[**] Term: **14 Years**

[21] Appl. No.: **29/097,333**

[22] Filed: **Dec. 1, 1998**

[51] **LOC (7) Cl.** **31-00**

[52] **U.S. Cl.** **D7/384**

[58] **Field of Search** D7/376-386, 412;
241/37.5, 92, 93, 101.1, 199.12, 282.1,
282.2

[56] **References Cited**

U.S. PATENT DOCUMENTS

D. 282,620	2/1986	Cavalli	D7/384
D. 293,873	1/1988	Maass	D7/384
D. 338,134	8/1993	Hoffman	D7/384

D. 345,078	3/1994	Gotzsch	D7/384
D. 366,984	2/1996	Hsu	D7/384
D. 392,150	3/1998	Tanaka et al.	D7/384

Primary Examiner—Caron D. Veynar
Attorney, Agent, or Firm—Barry E. Deutsch

[57] **CLAIM**

The ornamental design for food processor, as shown and described.

DESCRIPTION

FIG. 1 is a right side view of a food processor according to the present invention.

FIG. 2 is a left side view of the food processor of FIG. 1.

FIG. 3 is a front view of the food processor of FIG. 1.

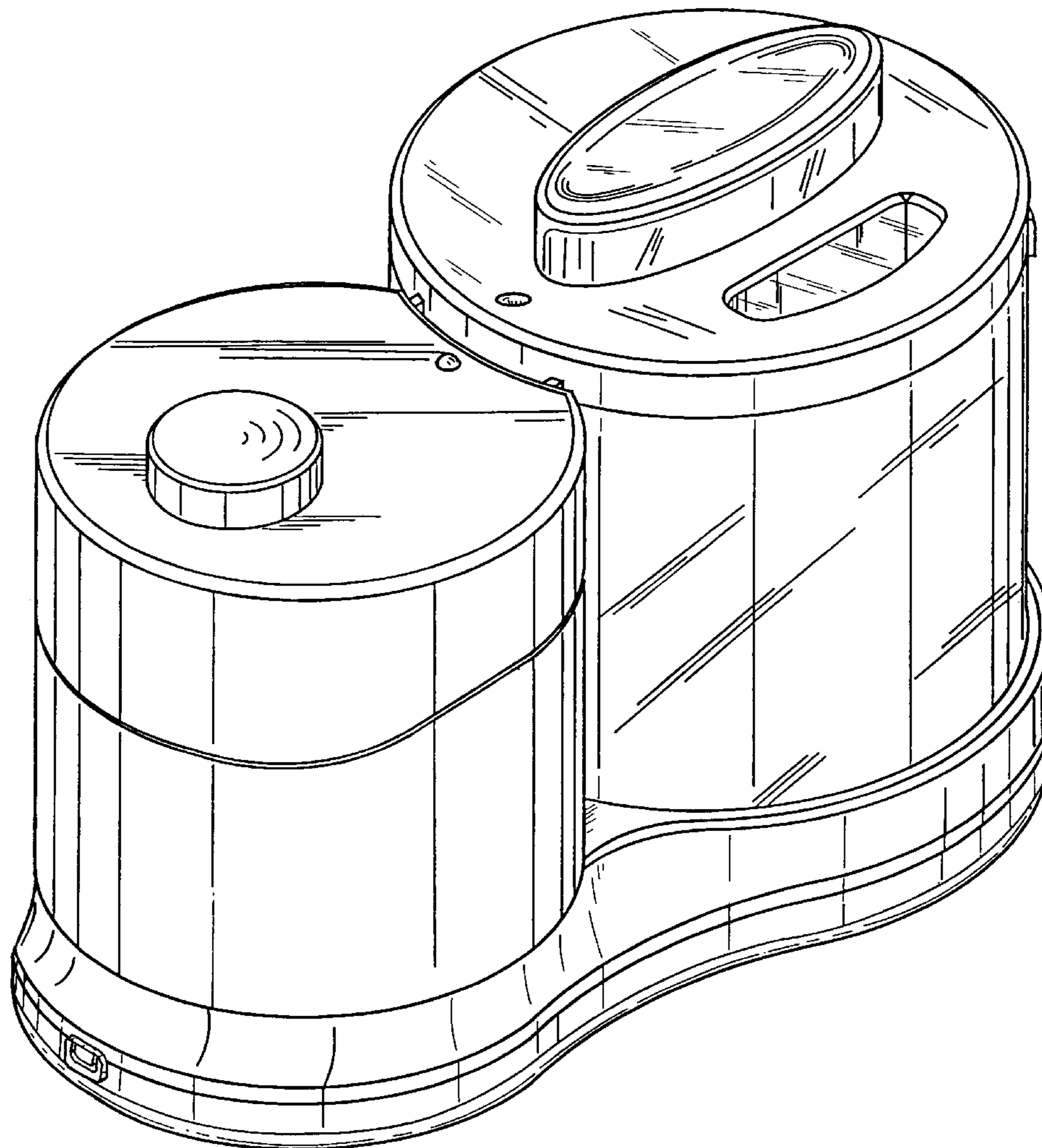
FIG. 4 is a rear view of the food processor of FIG. 1.

FIG. 5 is a top view of the food processor of FIG. 1.

FIG. 6 is a bottom view of the food processor of FIG. 1; and,

FIG. 7 is a perspective view taken from the front, top, and right side of the food processor of FIG. 1.

1 Claim, 7 Drawing Sheets



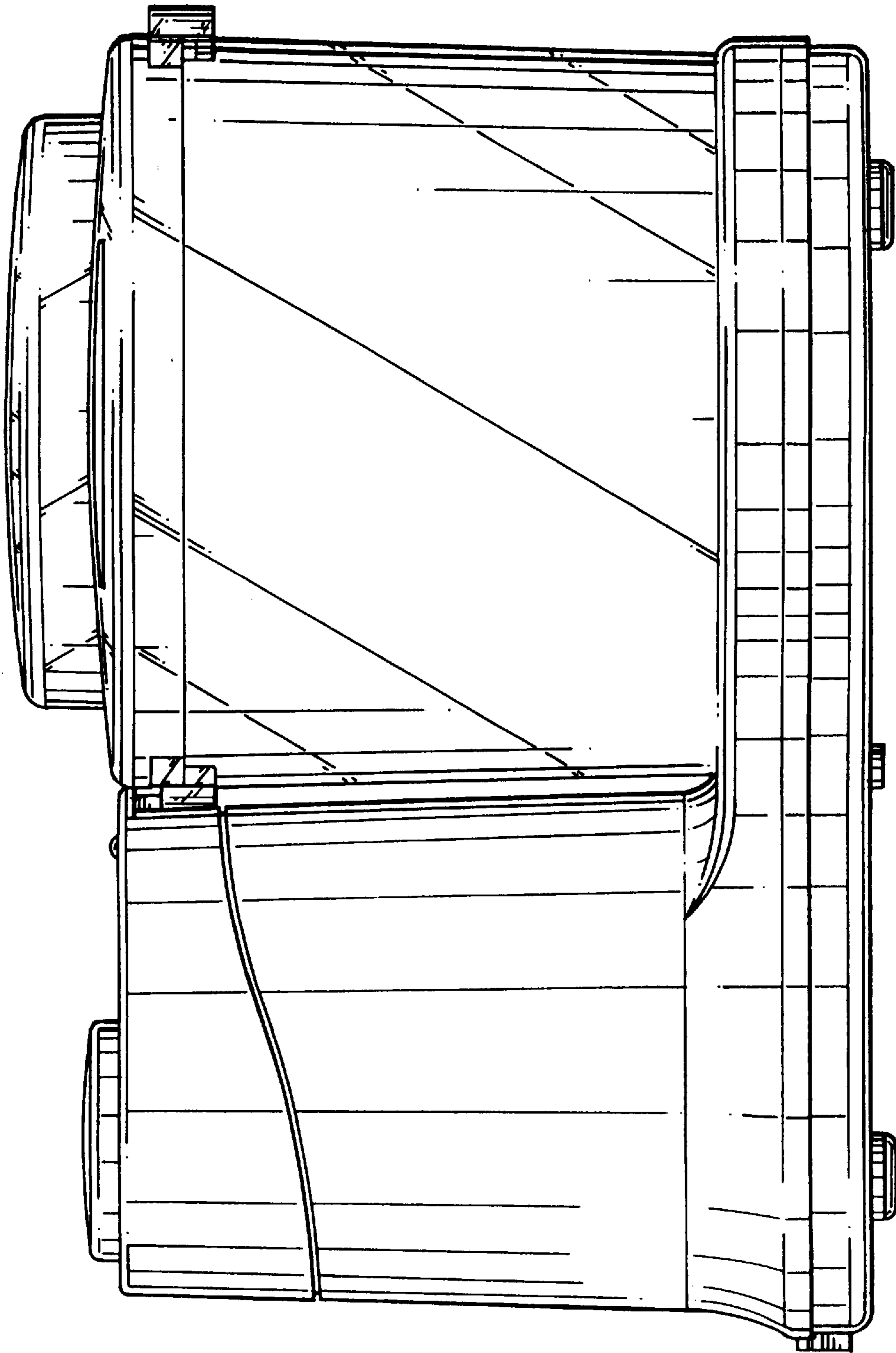


FIG.1

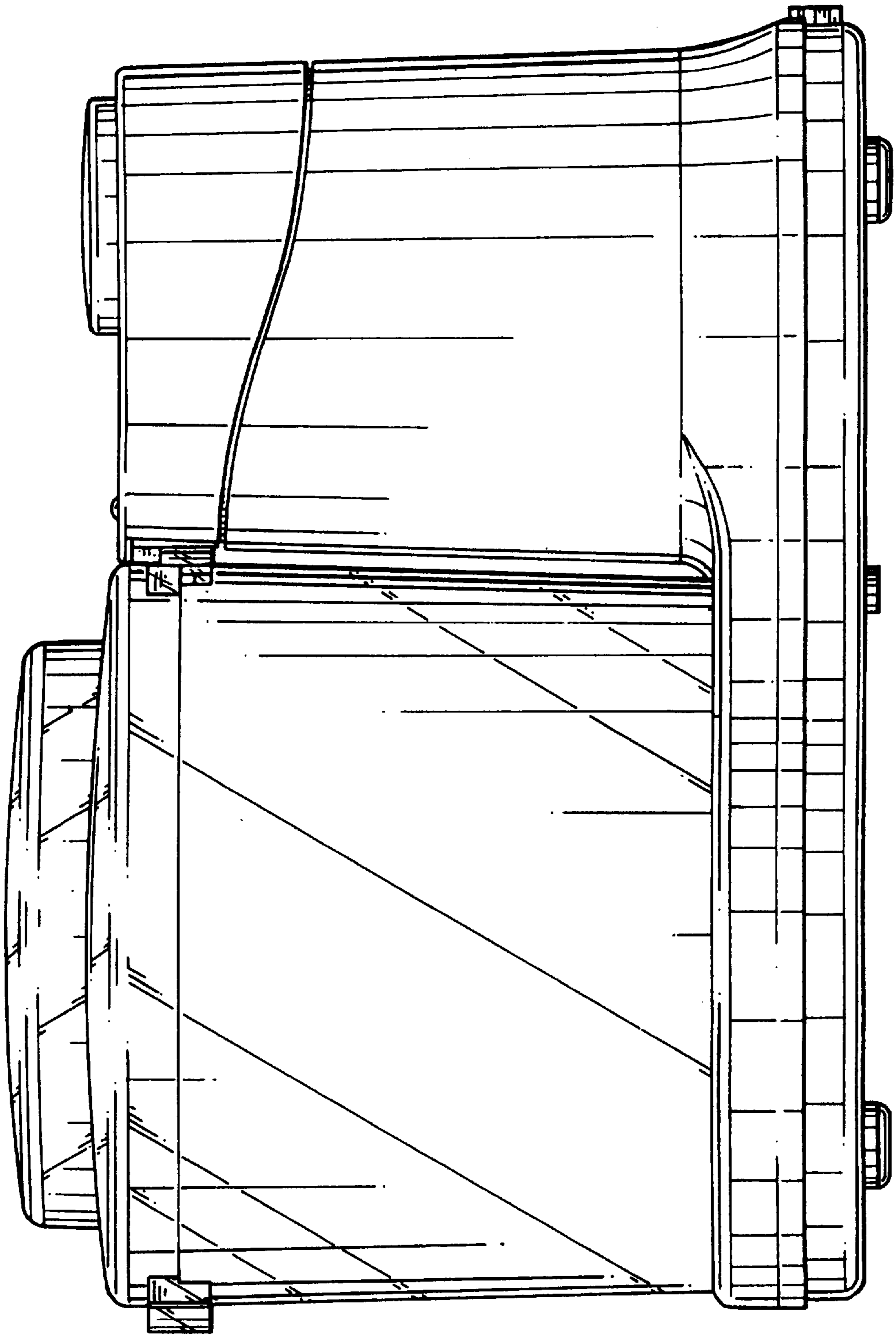


FIG. 2

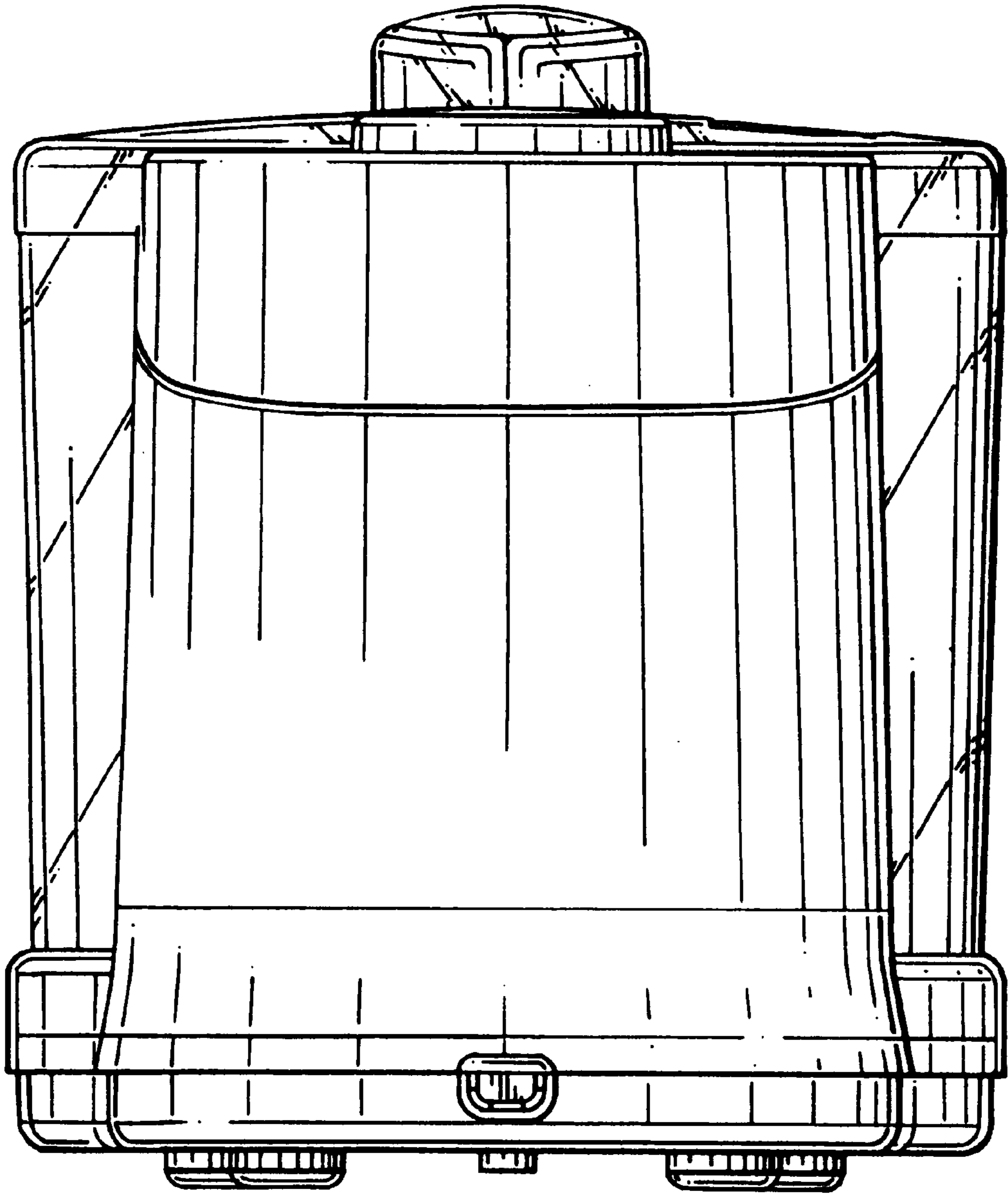


FIG. 3

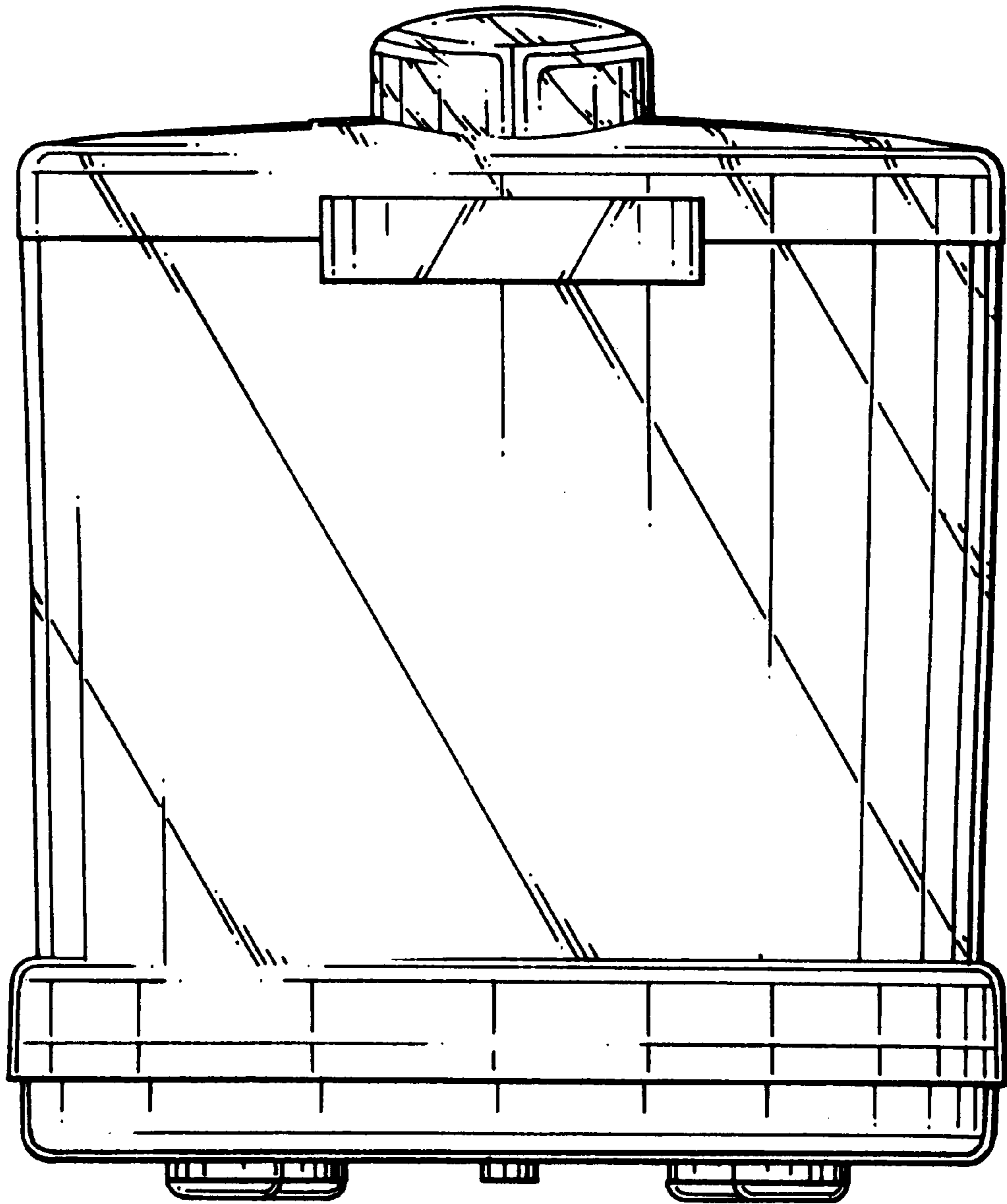


FIG. 4

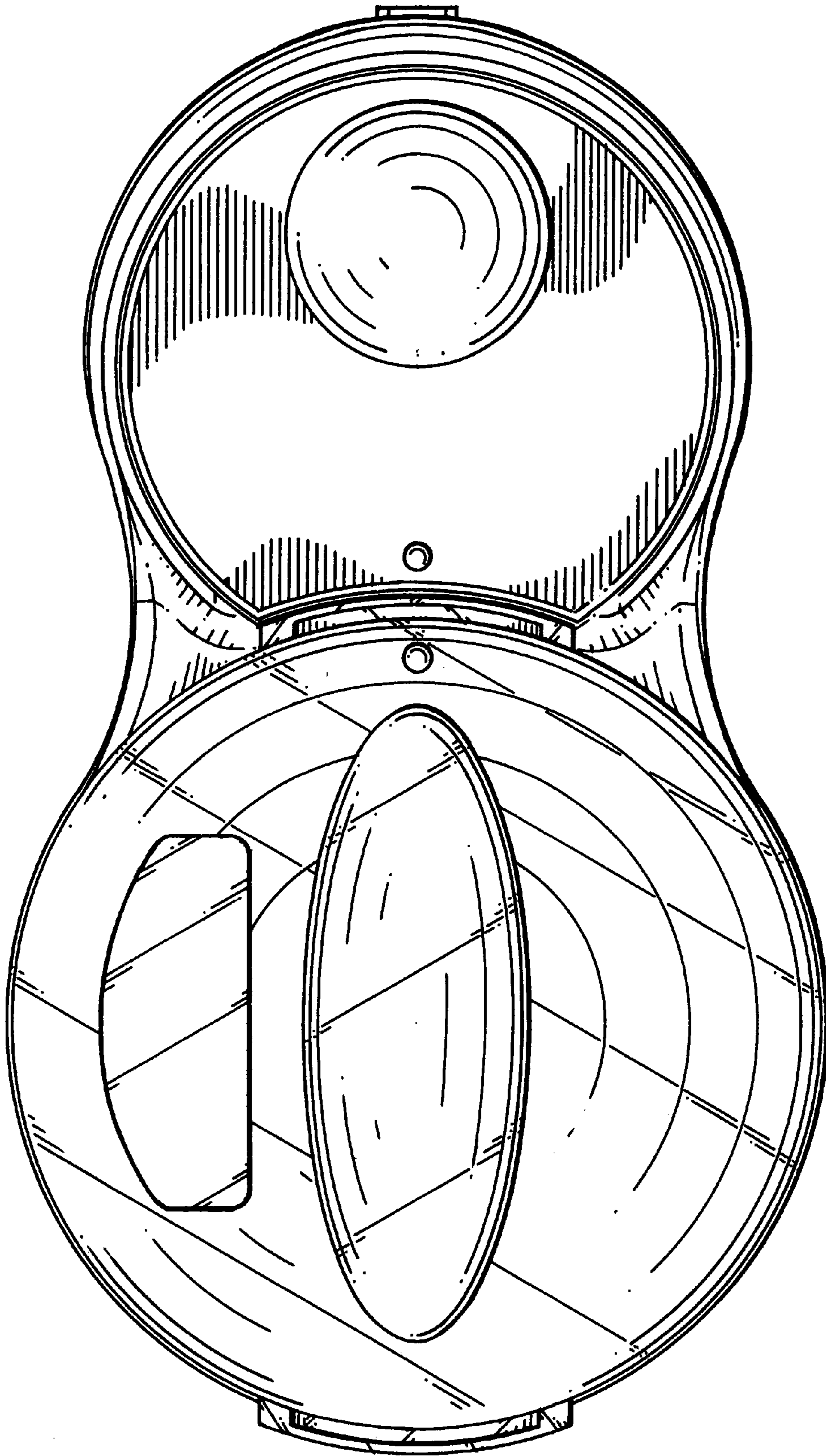


FIG. 5

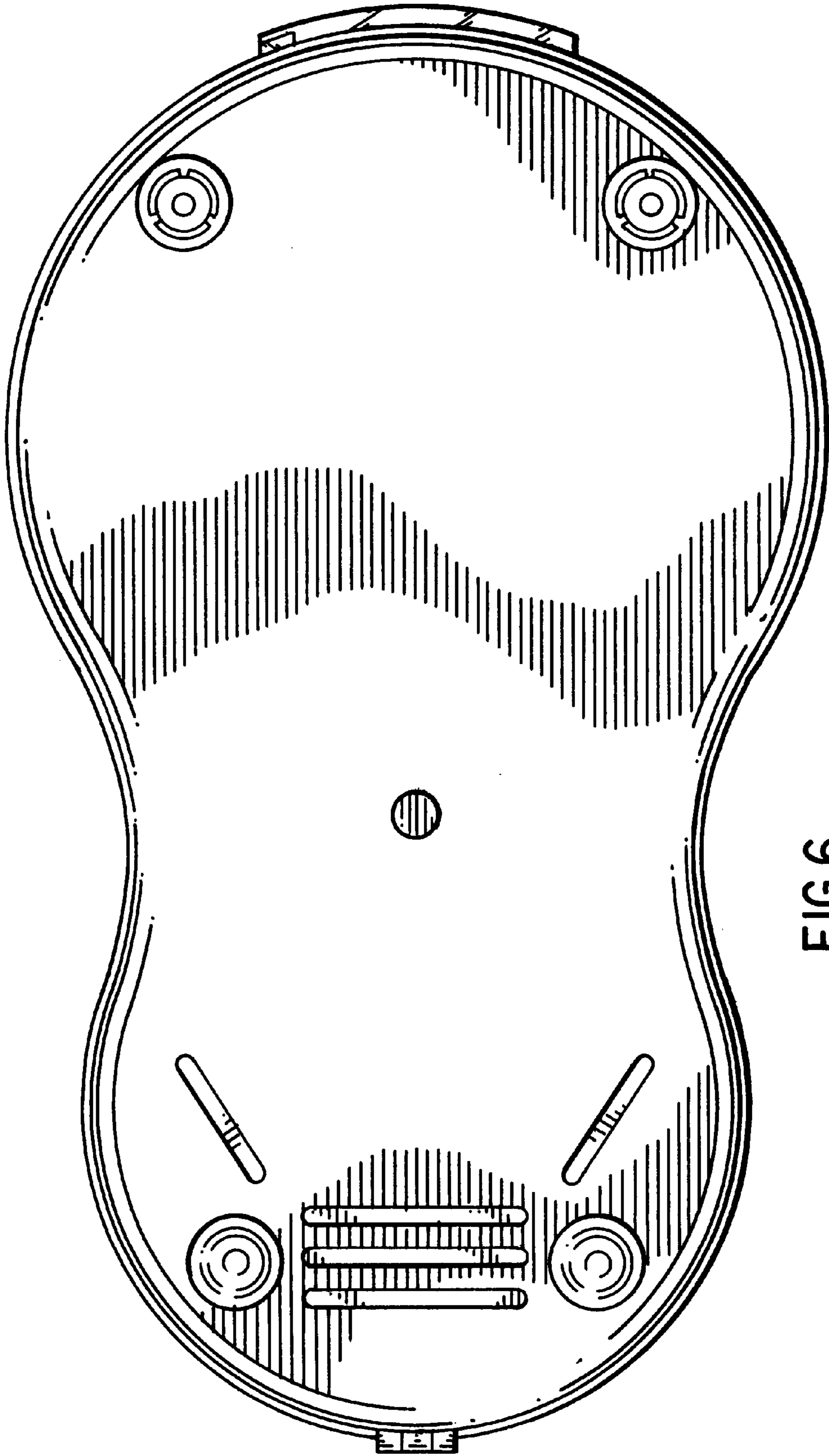


FIG.6

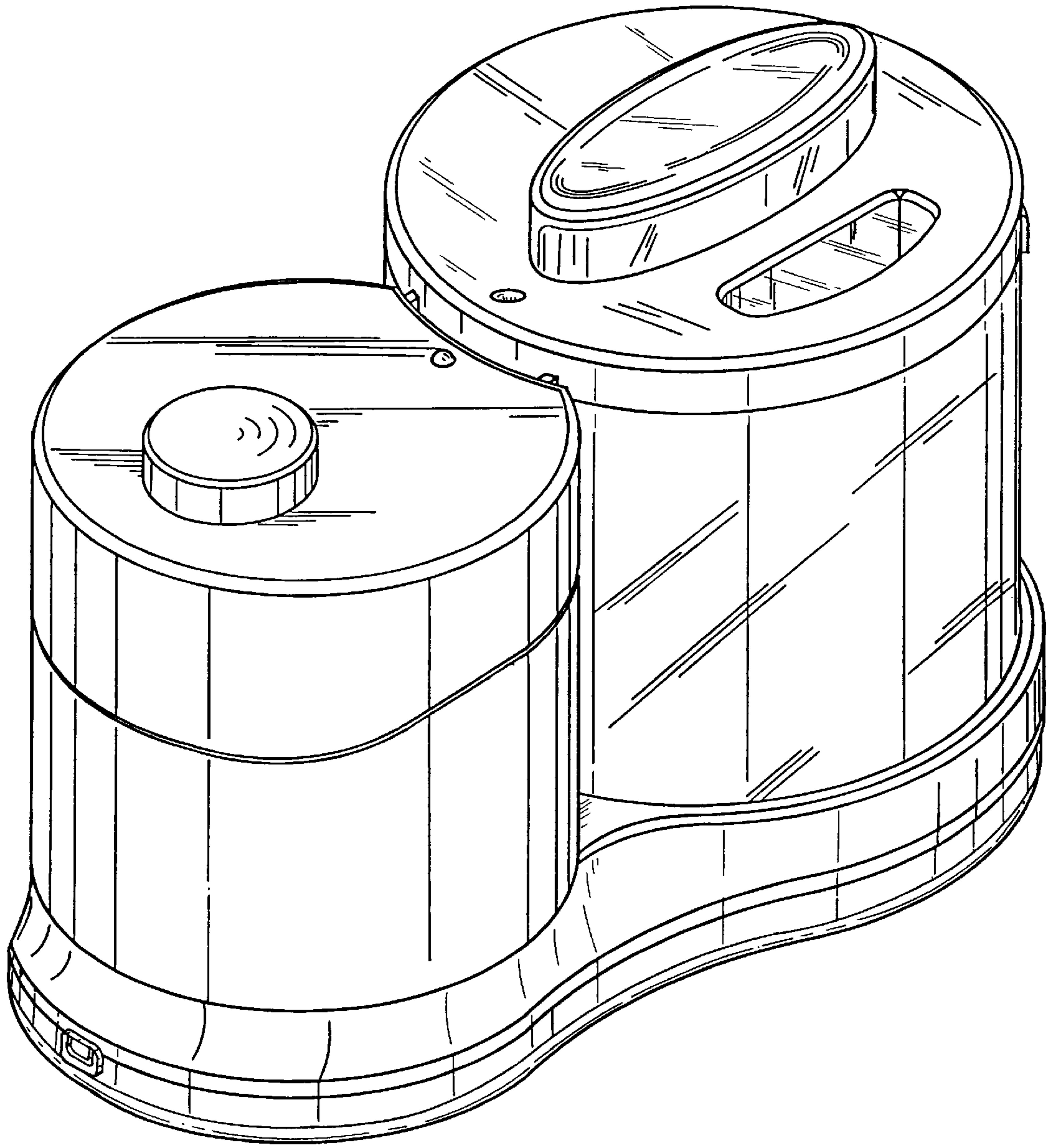


FIG. 7