



US00D419366S

United States Patent [19]

Tse

[11] Patent Number: **Des. 419,366**

[45] Date of Patent: **** Jan. 25, 2000**

[54] **MIXER**

D. 234,742 4/1975 Stut D7/379
D. 345,888 4/1994 Joss et al. D7/379

[75] Inventor: **Keith Tse**, Hong Kong, The Hong Kong Special Administrative Region of the People's Republic of China

Primary Examiner—Caron D. Veynar
Attorney, Agent, or Firm—Dickstein Shapiro Morin & Oshinsky LLP

[73] Assignee: **Windmere Corporation**, Miami Lakes, Fla.

[57] CLAIM

[**] Term: **14 Years**

The ornamental design for mixer, as shown.

[21] Appl. No.: **29/096,297**

DESCRIPTION

[22] Filed: **Nov. 10, 1998**

FIG. 1 is a right side view of a mixer according to the present invention.

[51] **LOC (7) Cl.** **31-00**

FIG. 2 is a left side view of the mixer of FIG. 1.

[52] **U.S. Cl.** **D7/379**

FIG. 3 is a front view of the mixer of FIG. 1.

[58] **Field of Search** D7/376-386, 412; 366/129, 130, 197, 199, 204, 205, 314

FIG. 4 is a rear view of the mixer of FIG. 1.

FIG. 5 is a top view of the mixer of FIG. 1; and,

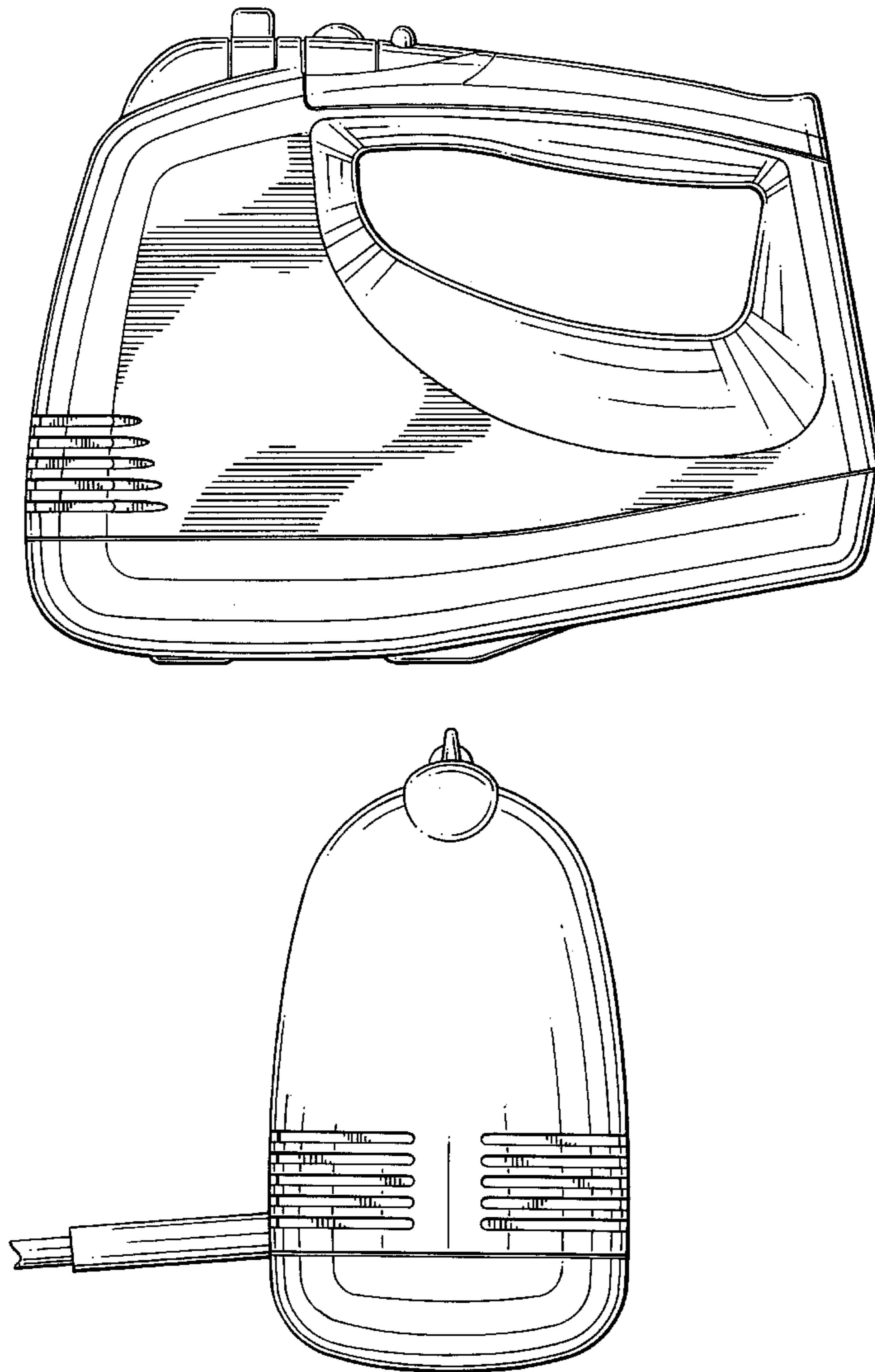
FIG. 6 is a bottom view of the mixer of FIG. 1.

[56] References Cited

U.S. PATENT DOCUMENTS

D. 224,132 7/1972 Yamamoto D7/379

1 Claim, 6 Drawing Sheets



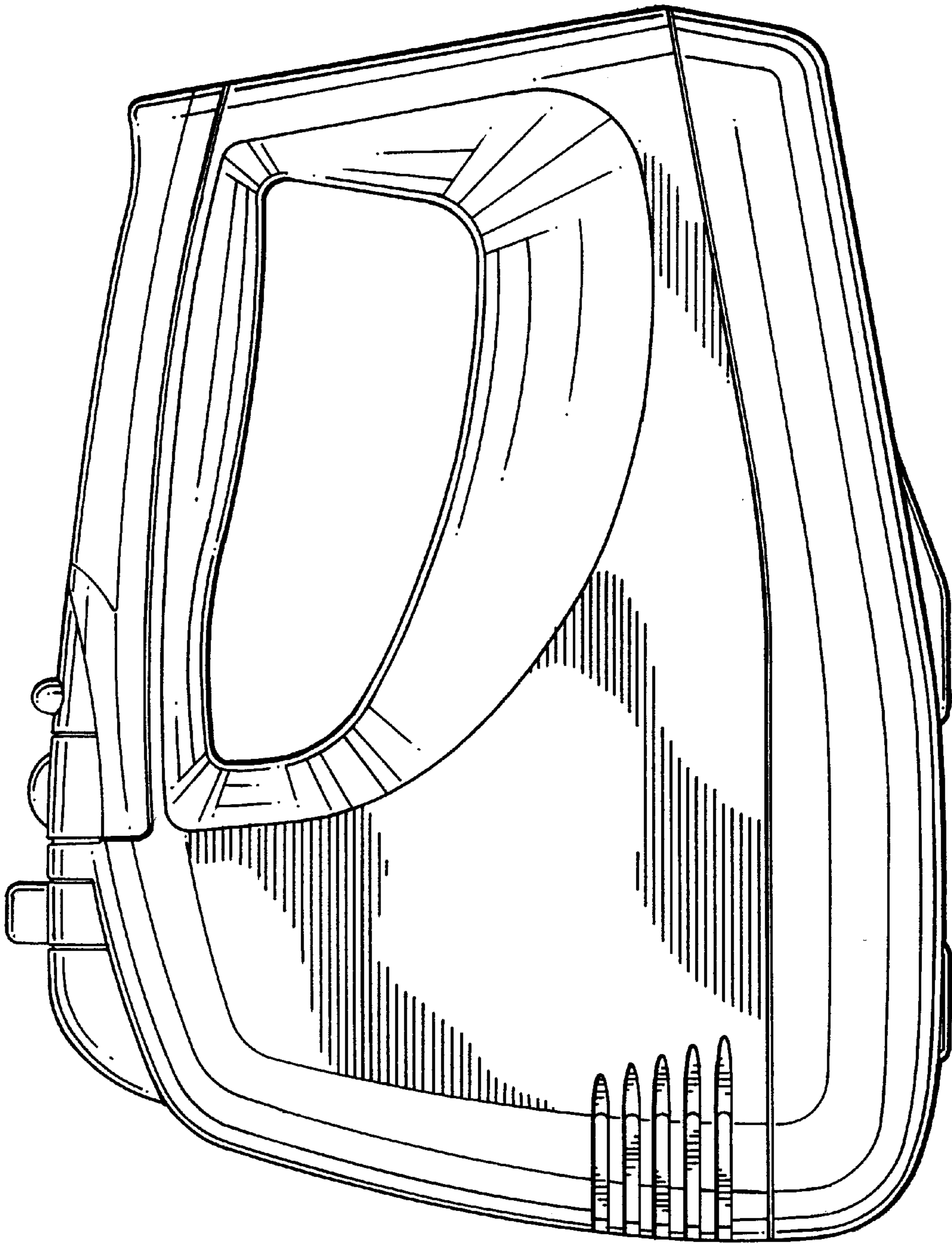


FIG. 1

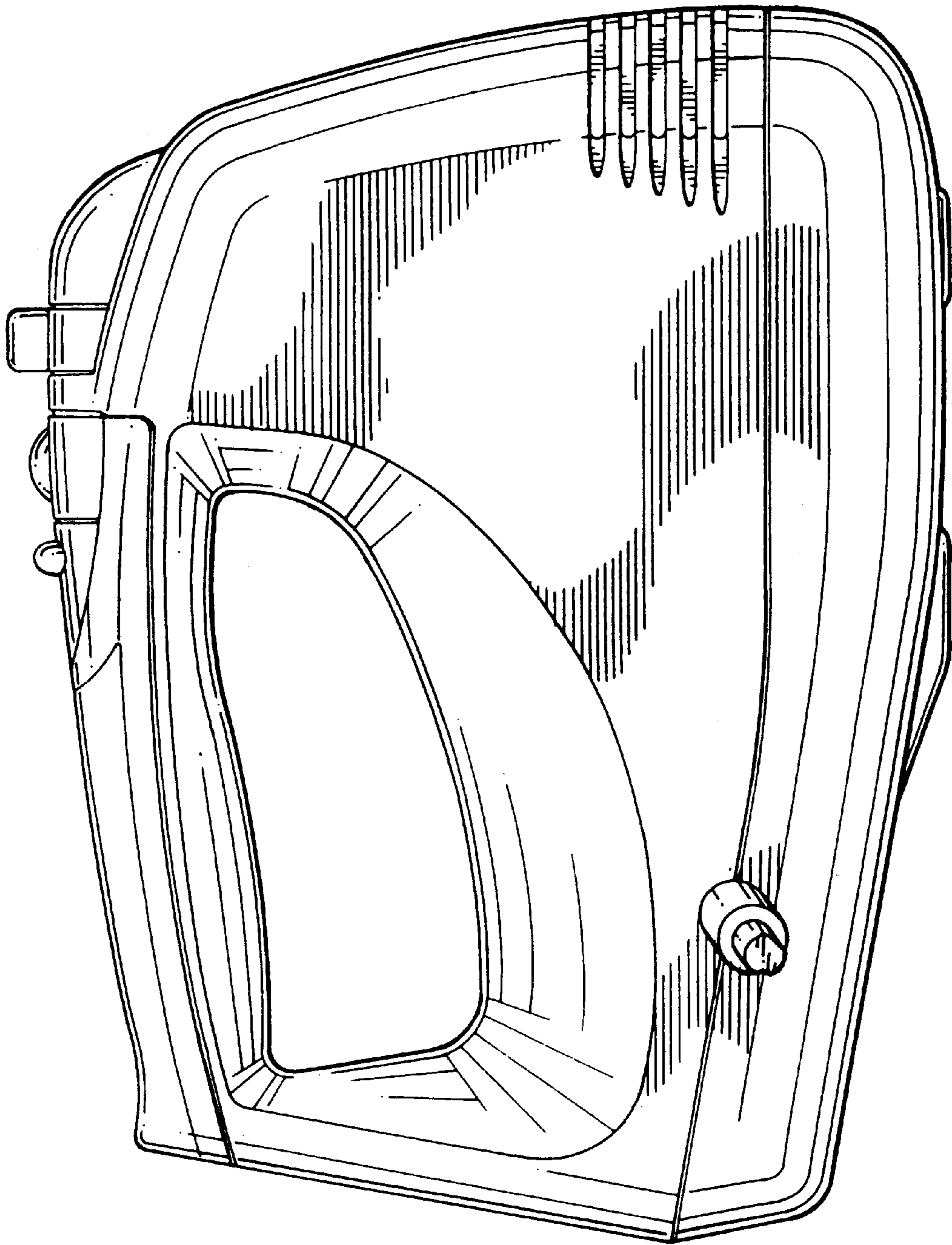


FIG. 2

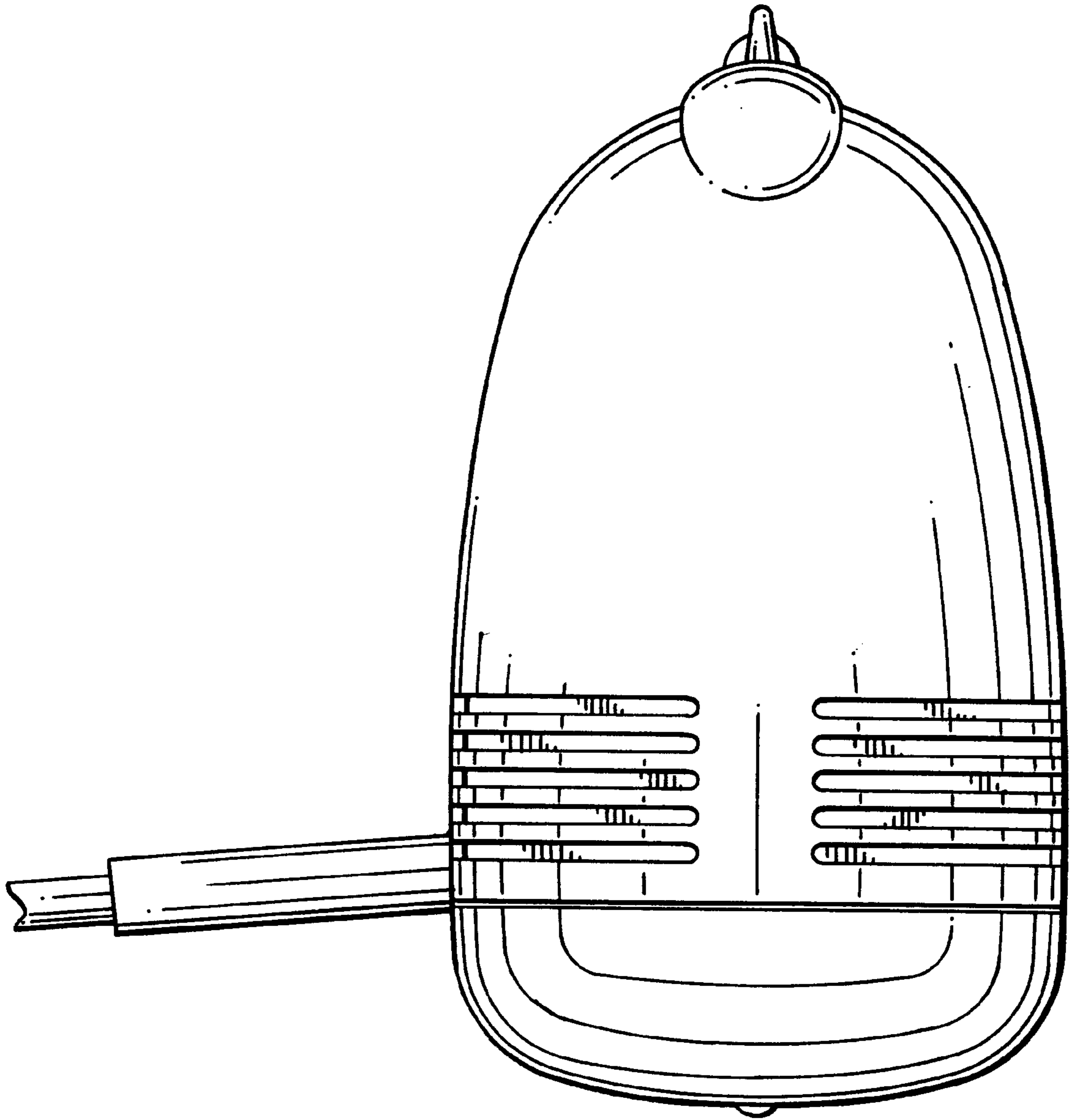


FIG. 3

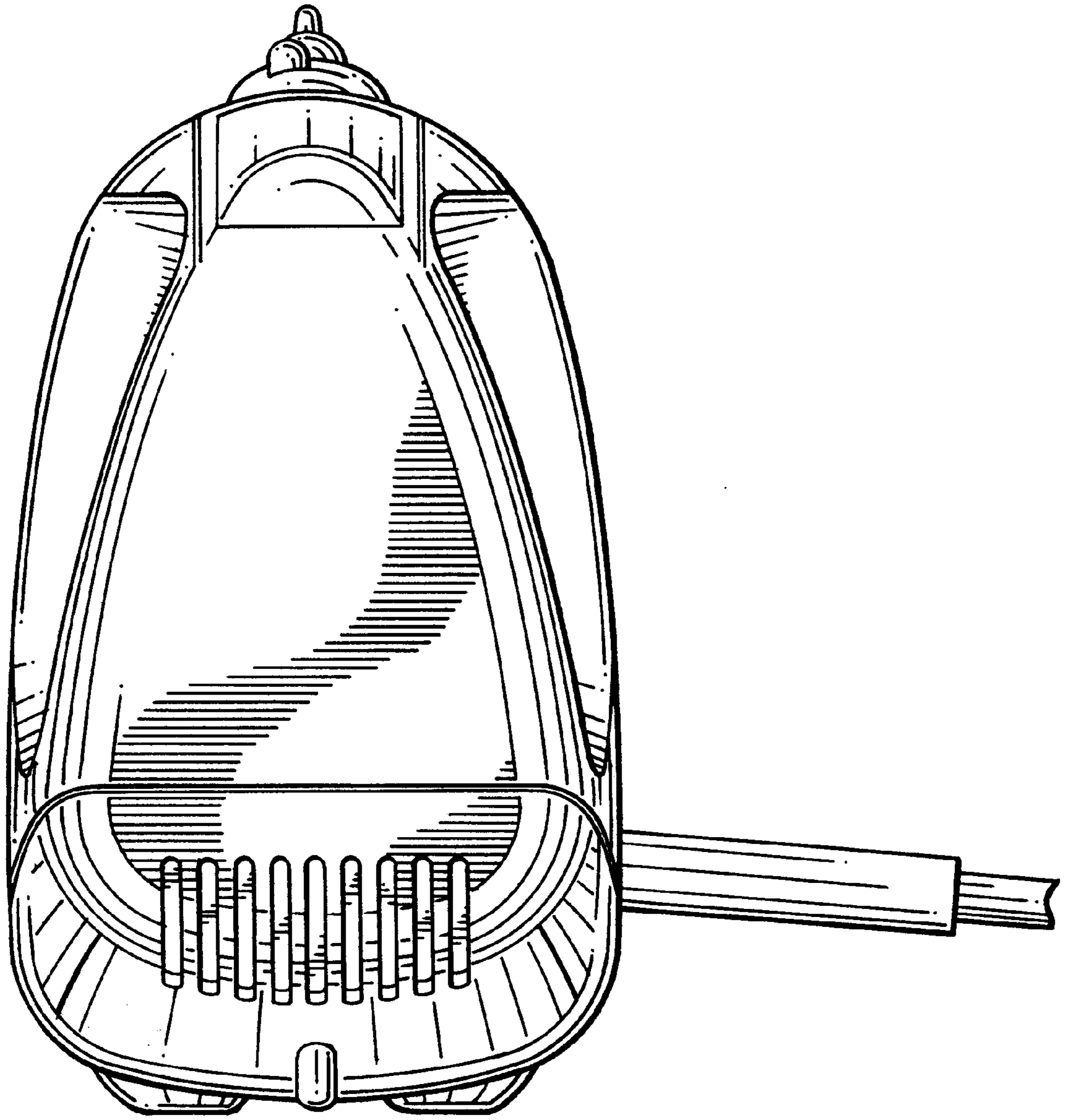


FIG. 4

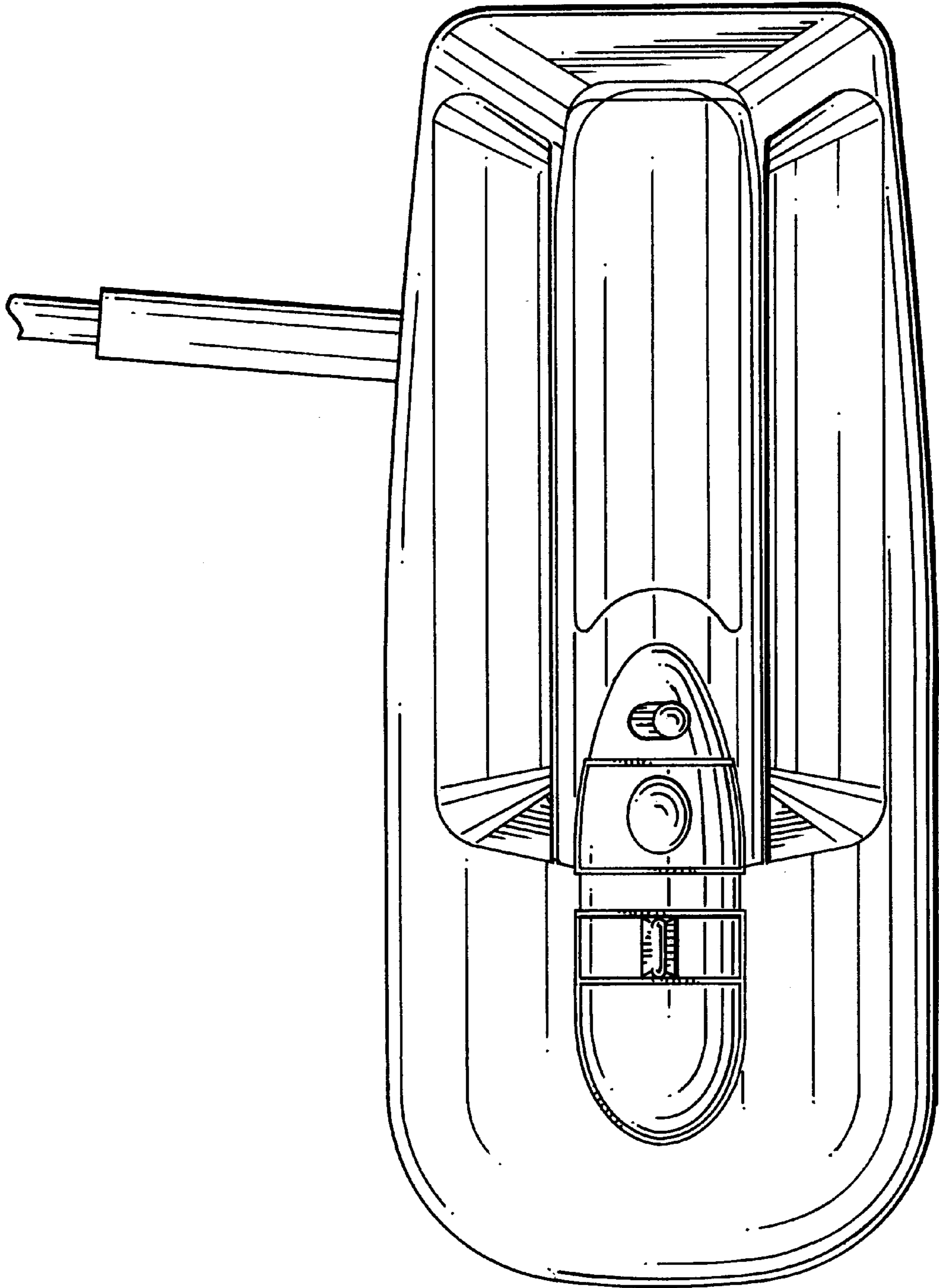


FIG. 5

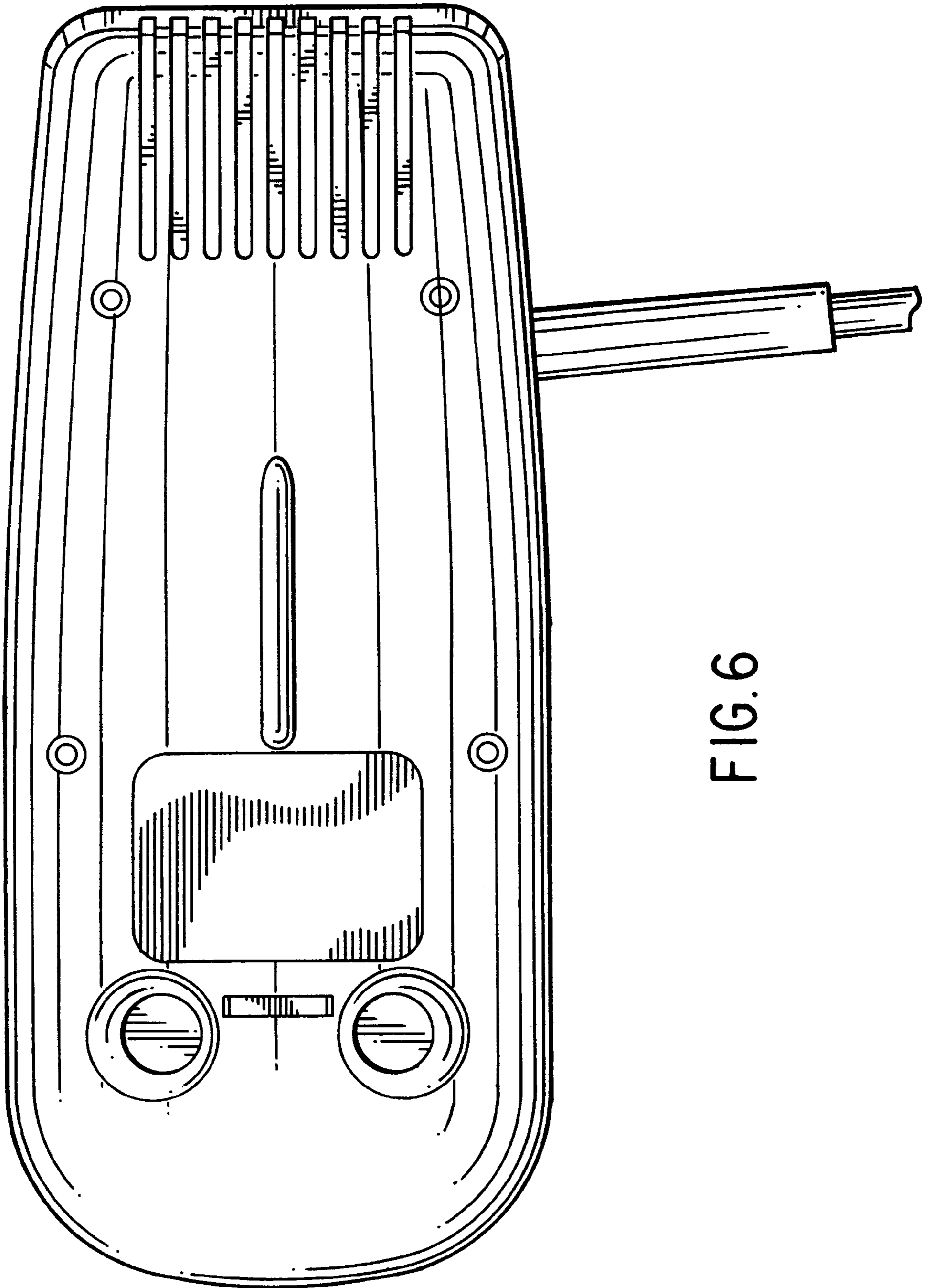


FIG. 6