



US00D419364S

United States Patent [19] Jarvis

[11] Patent Number: **Des. 419,364**

[45] Date of Patent: **** Jan. 25, 2000**

[54] **FOOD SERVICE PAN**

[75] Inventor: **Charles W. Jarvis**, Irvine, Calif.

[73] Assignee: **Cambro Manufacturing Company**,
Huntington Beach, Calif.

[**] Term: **14 Years**

[21] Appl. No.: **29/099,830**

[22] Filed: **Jan. 28, 1999**

[51] **LOC (7) Cl.** **07-02**

[52] **U.S. Cl.** **D7/354; D7/550.1; D7/554.4;**
D7/587; D24/227; 206/551; 220/573.1;
220/574

[58] **Field of Search** **D7/354, 360, 409,**
D7/500, 550.1, 554.1, 554.2, 554.3, 554.4,
543, 584, 586, 587; D9/414, 424, 430;
D24/227; D30/130; 206/551, 203, 557;
220/315, 573.1, 574, 912, DIG. 13, 4.24

[56] **References Cited**

U.S. PATENT DOCUMENTS

D. 75,723	7/1928	Engel	D7/587
D. 75,939	7/1928	Tennhardt	D7/584
D. 192,526	4/1962	Hyatt et al.	D7/587
D. 195,524	6/1963	Patton, Jr.	D7/587
D. 214,678	7/1969	Weeber	D7/543
D. 222,680	11/1971	Douglas	D7/550.1
D. 225,886	1/1973	Dolby et al.	D7/586

D. 243,380	2/1977	Berger	D7/354
D. 256,073	7/1980	Caroee et al.	D7/543
D. 335,940	5/1993	McGrath et al.	D30/130
D. 341,539	11/1993	Davis et al.	D9/430
1,587,288	6/1926	Dooly	249/120
3,172,130	3/1965	Lange	4/144.1
3,620,403	11/1971	Rump	220/4.24
3,620,411	11/1971	Rump	220/315
4,373,636	2/1983	Hoffman	206/551
5,076,437	12/1991	Schindler	206/551

Primary Examiner—Caron D. Veynar
Attorney, Agent, or Firm—George F. Bethel

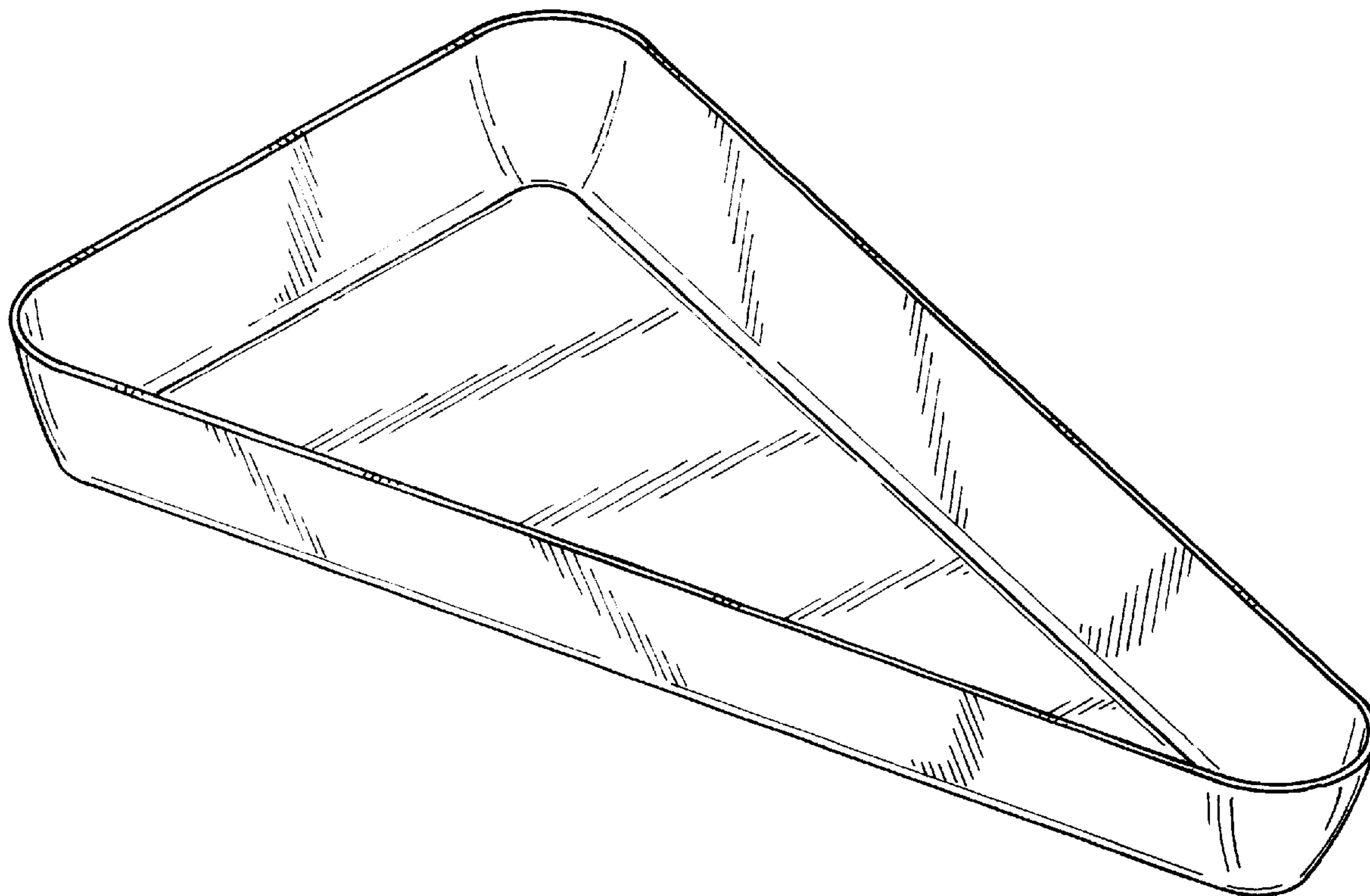
[57] **CLAIM**

The ornamental design for a food service pan, as shown and described.

DESCRIPTION

FIG. 1 shows a perspective view of my food service pan; FIG. 2 shows a top plan view thereof; FIG. 3 shows an elevation view that is seen on the frontal left side of FIG. 1; FIG. 4 shows an end elevation view of the food service pan looking from the right side of FIG. 1; FIG. 5 shows an elevation view from the opposite side of that shown in FIG. 3, which constitutes the right side of FIG. 1; FIG. 6 shows an end elevation view of the food service pan looking from the left side of FIG. 1; and, FIG. 7 shows a bottom view thereof.

1 Claim, 2 Drawing Sheets



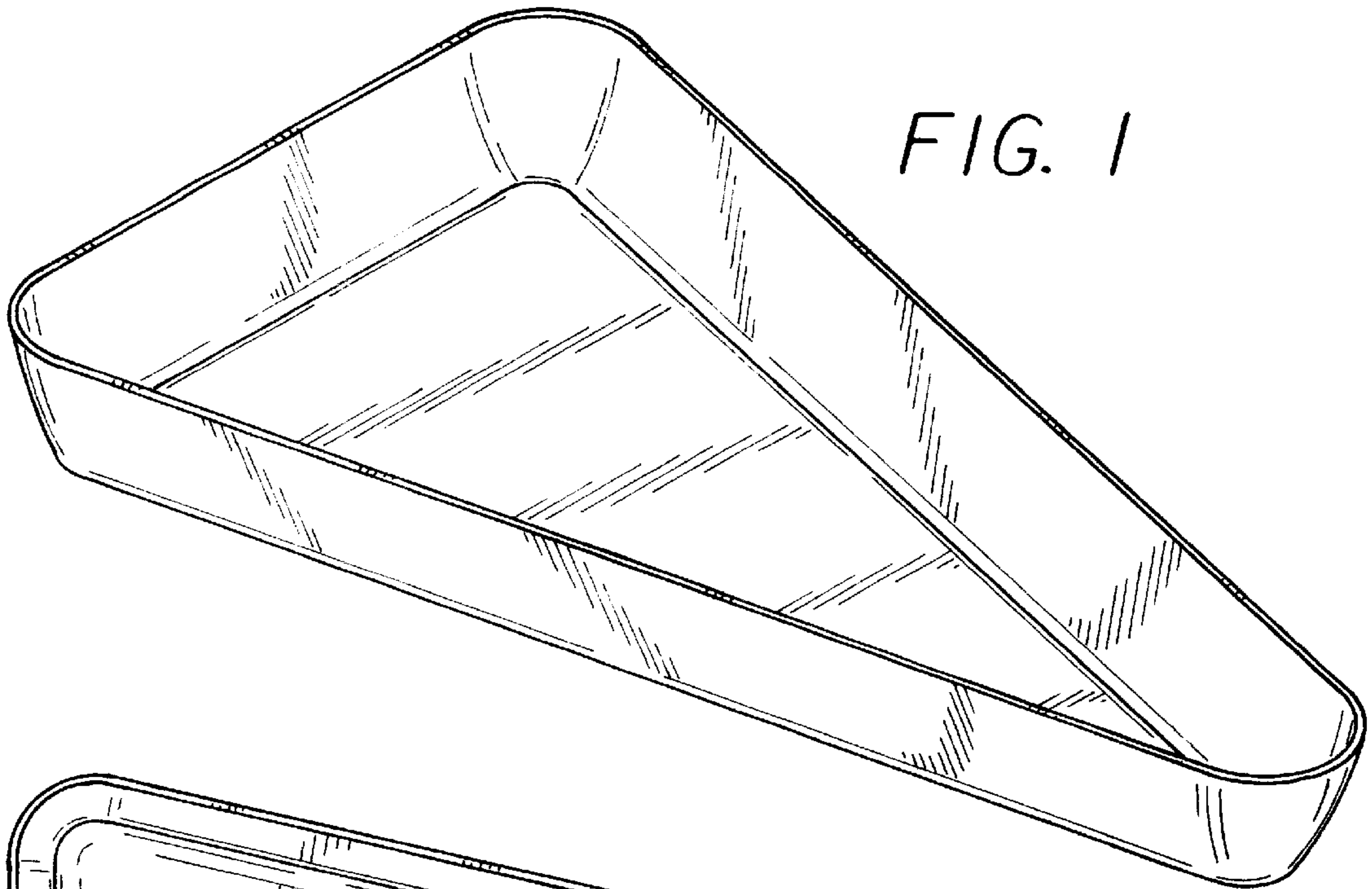


FIG. 1

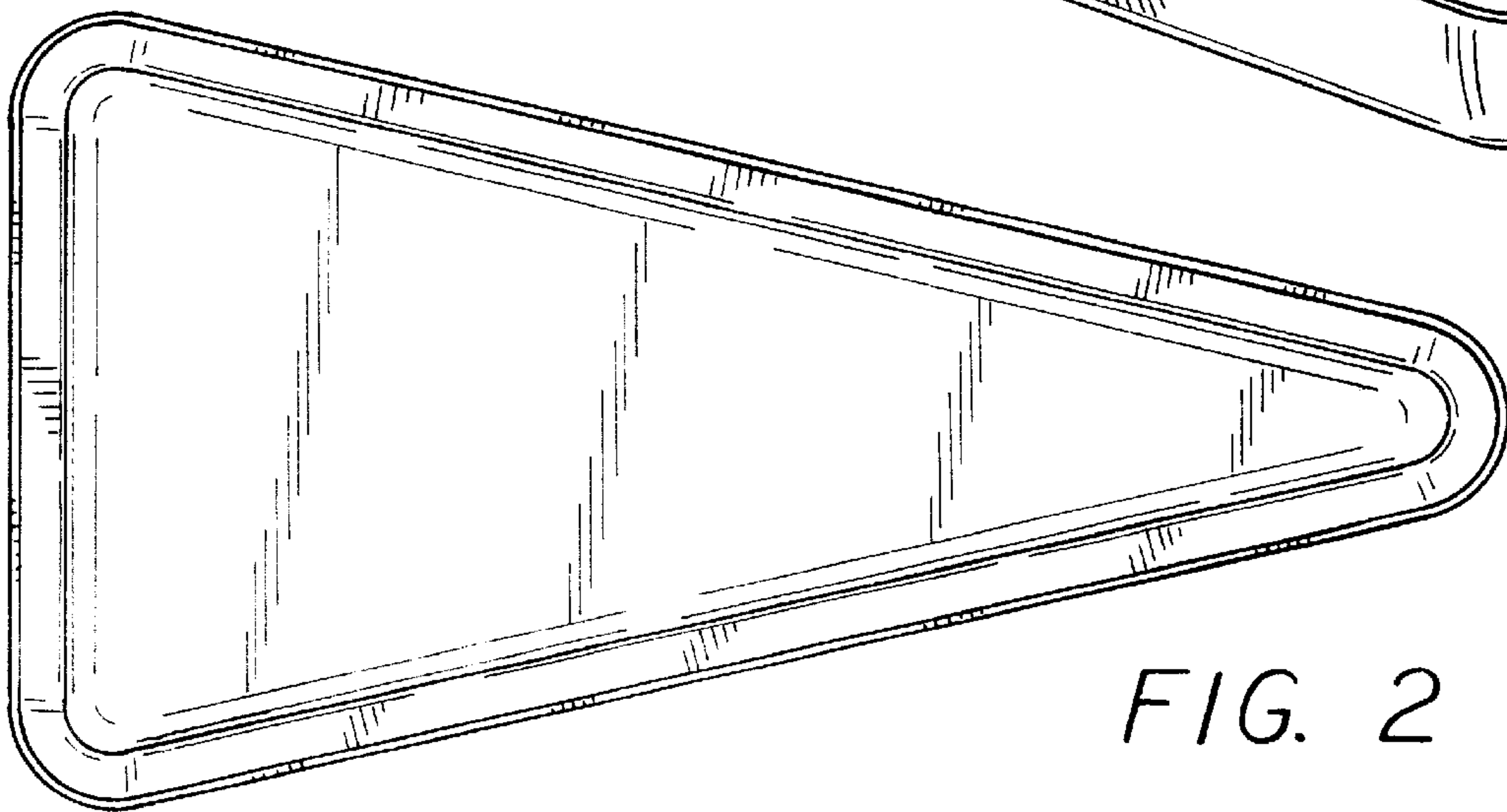


FIG. 2

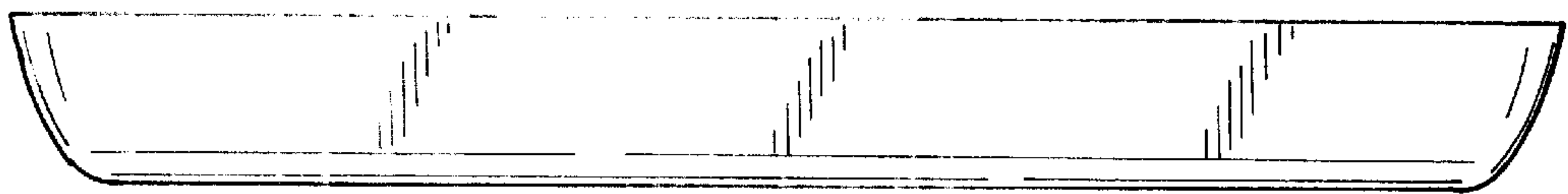


FIG. 3

FIG. 4



FIG. 7

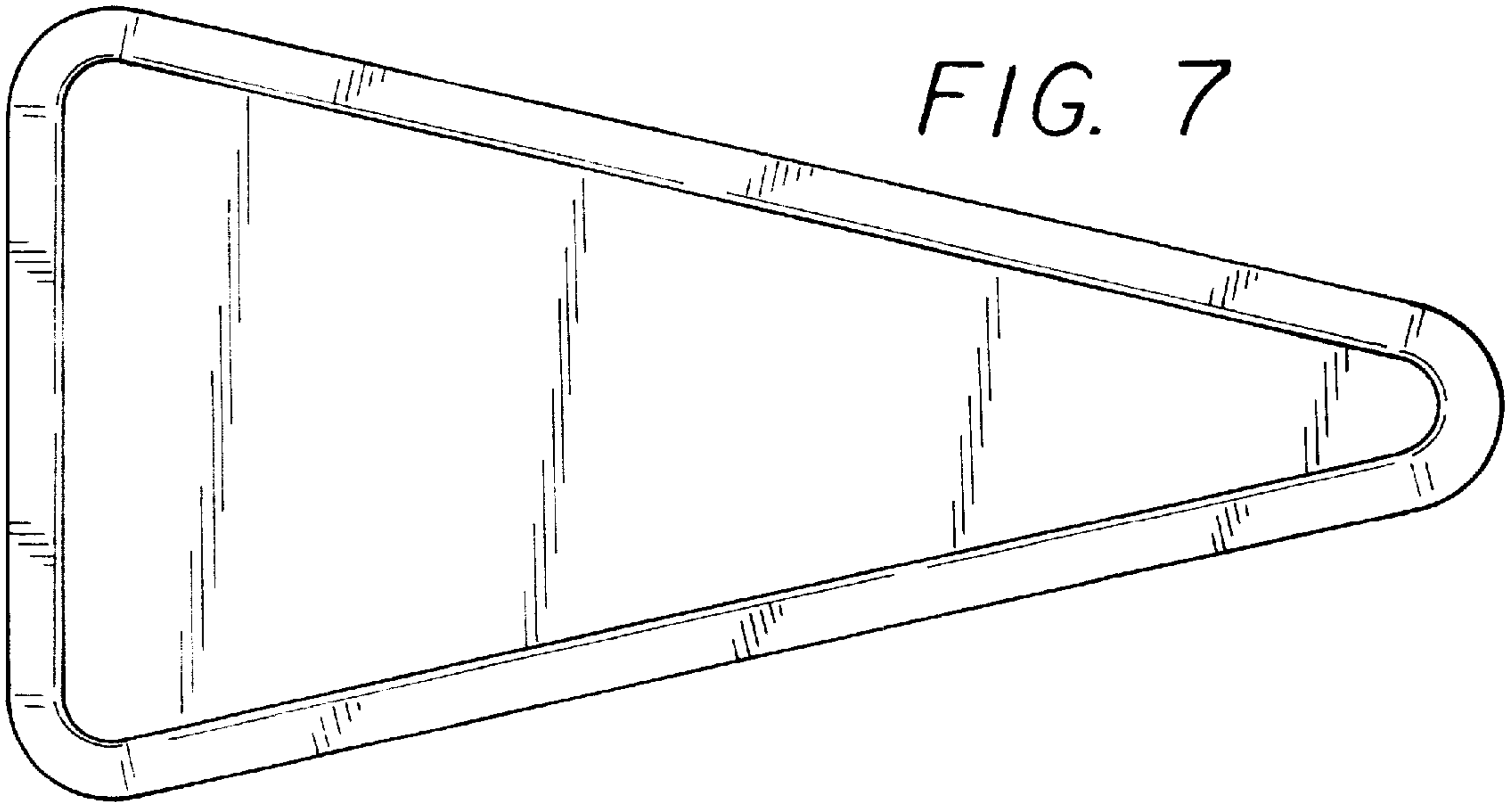


FIG. 6

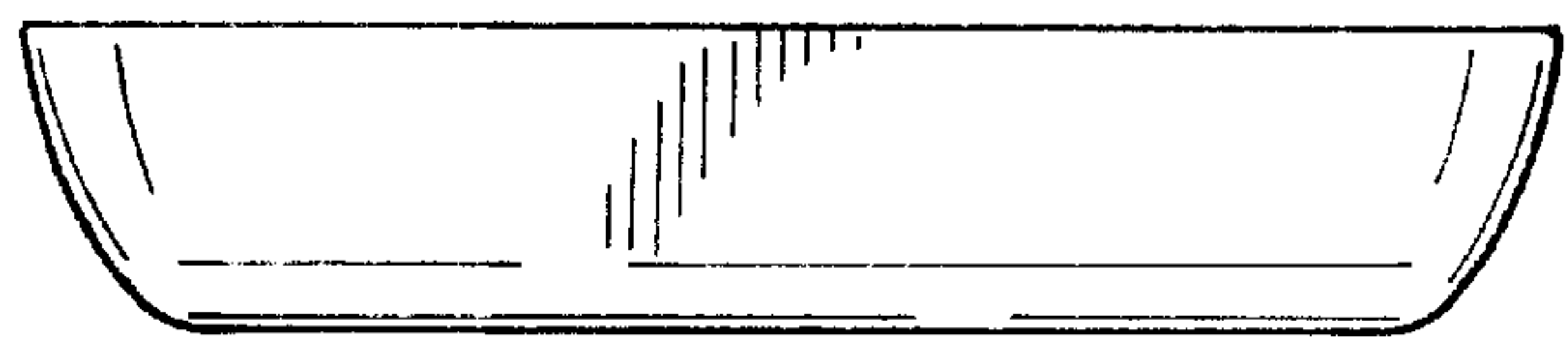


FIG. 5

