



US00D419363S

United States Patent [19]

Doret, Jr.

[11] Patent Number: **Des. 419,363**

[45] Date of Patent: **** Jan. 25, 2000**

[54] **GRAVY BOAT**

[75] Inventor: **Edese A. Doret, Jr.**, Bronx, N.Y.

[73] Assignee: **M. Kamenstein, Inc.**, Elmsford, N.Y.

[**] Term: **14 Years**

[21] Appl. No.: **29/098,932**

[22] Filed: **Jan. 8, 1999**

[51] **LOC (7) Cl.** **07-01**

[52] **U.S. Cl.** **D7/318; D7/319; D7/317**

[58] **Field of Search** D7/318, 319, 317,
D7/316, 321, 312, 600, 598, 322; 222/465.1,
475.1; 210/282

D. 213,900	4/1969	Schneider	D7/319
D. 278,019	3/1985	Everhan	D7/319
D. 287,213	12/1986	Fornara	D7/317
D. 287,561	1/1987	Uglov	D7/319
D. 313,529	1/1991	Bormioli	D7/317
D. 328,403	8/1992	Unger	D7/317
D. 398,474	9/1998	Wagner	D7/305

Primary Examiner—M. N. Pandozzi
Attorney, Agent, or Firm—Robert A. Koons, Jr.; James W. Bolcsak

[57] CLAIM

The ornamental design for a gravy boat, as shown and described.

DESCRIPTION

FIG. 1 is a perspective view of a gravy boat showing my new design;
FIG. 2 is a right side elevational view of the gravy boat, the left side elevational view being a mirror image thereof;
FIG. 3 is a front elevational view of the gravy boat;
FIG. 4 is a rear elevational view of the gravy boat;
FIG. 5 is a top plan view of the gravy boat; and,
FIG. 6 is a bottom plan view of the gravy boat.

1 Claim, 5 Drawing Sheets

[56] References Cited

U.S. PATENT DOCUMENTS

D. 77,027	11/1928	Perry	D7/319
D. 97,876	12/1935	Trumbull	D7/319
D. 149,724	5/1948	Zeisel	D7/319
D. 161,604	1/1951	Wright	D7/319
D. 165,042	10/1951	Zeisel	D7/319
D. 171,241	1/1954	Barnhart	D7/319
D. 198,930	8/1964	Zeisel	D7/319

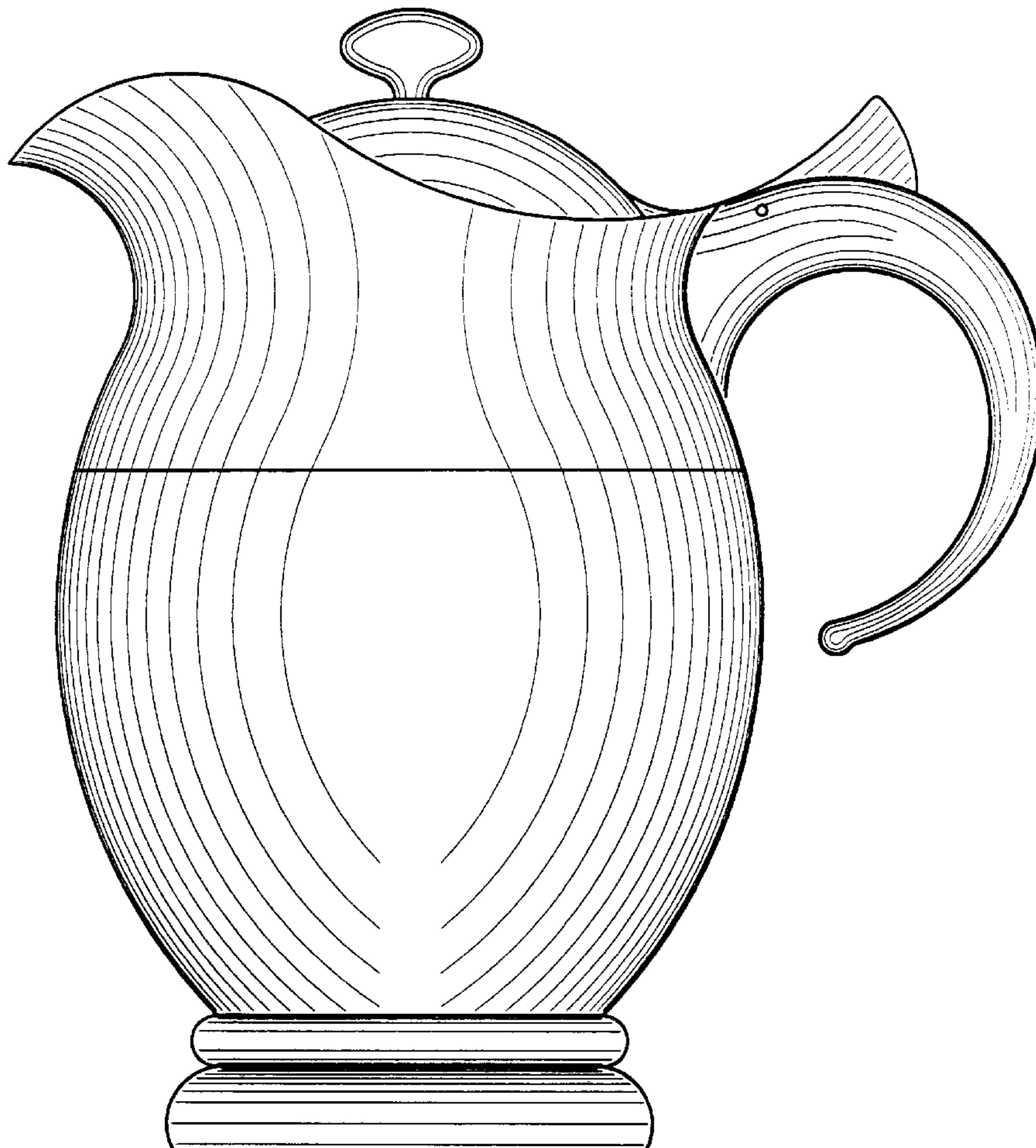




Fig. 1

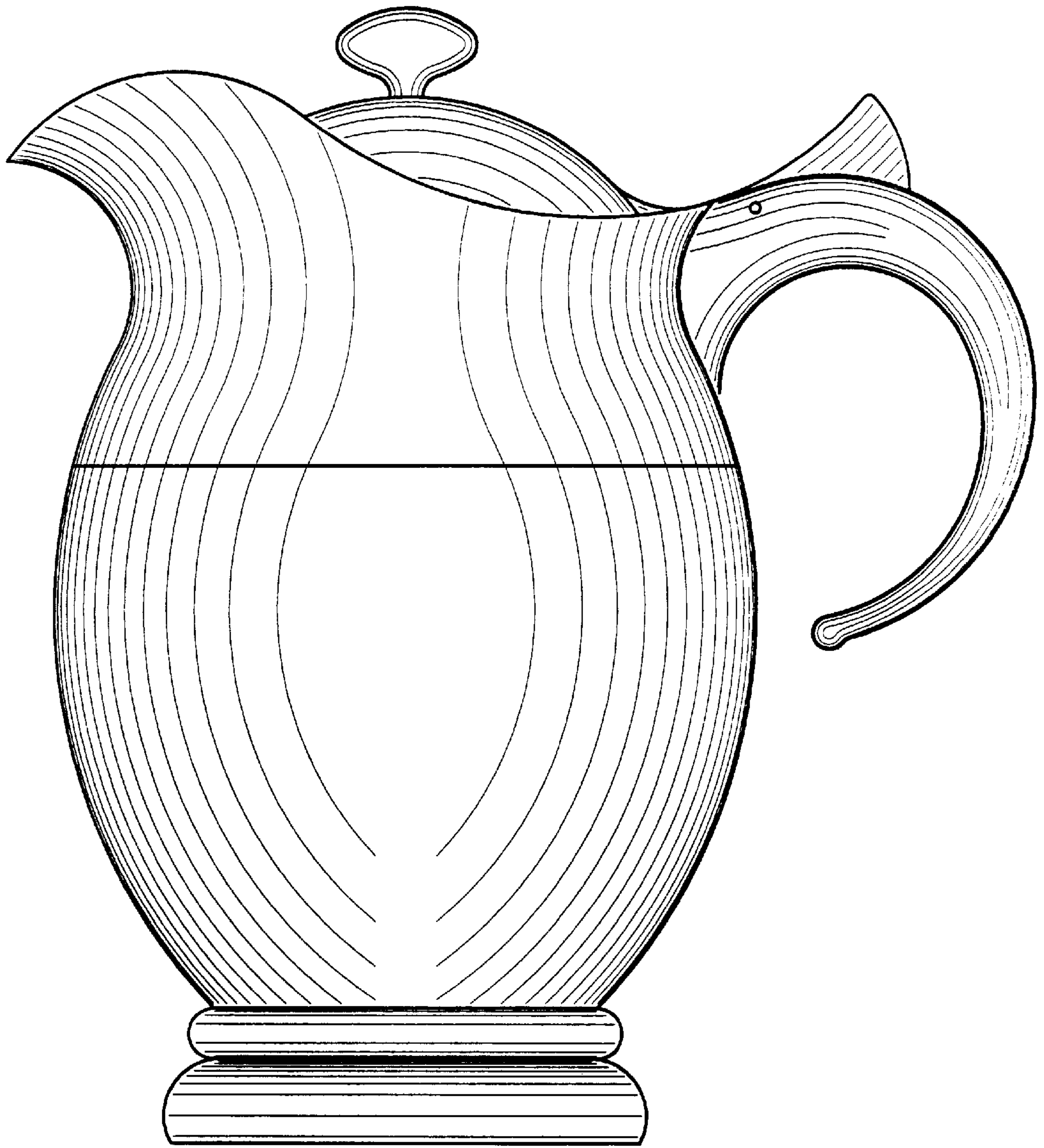


Fig. 2

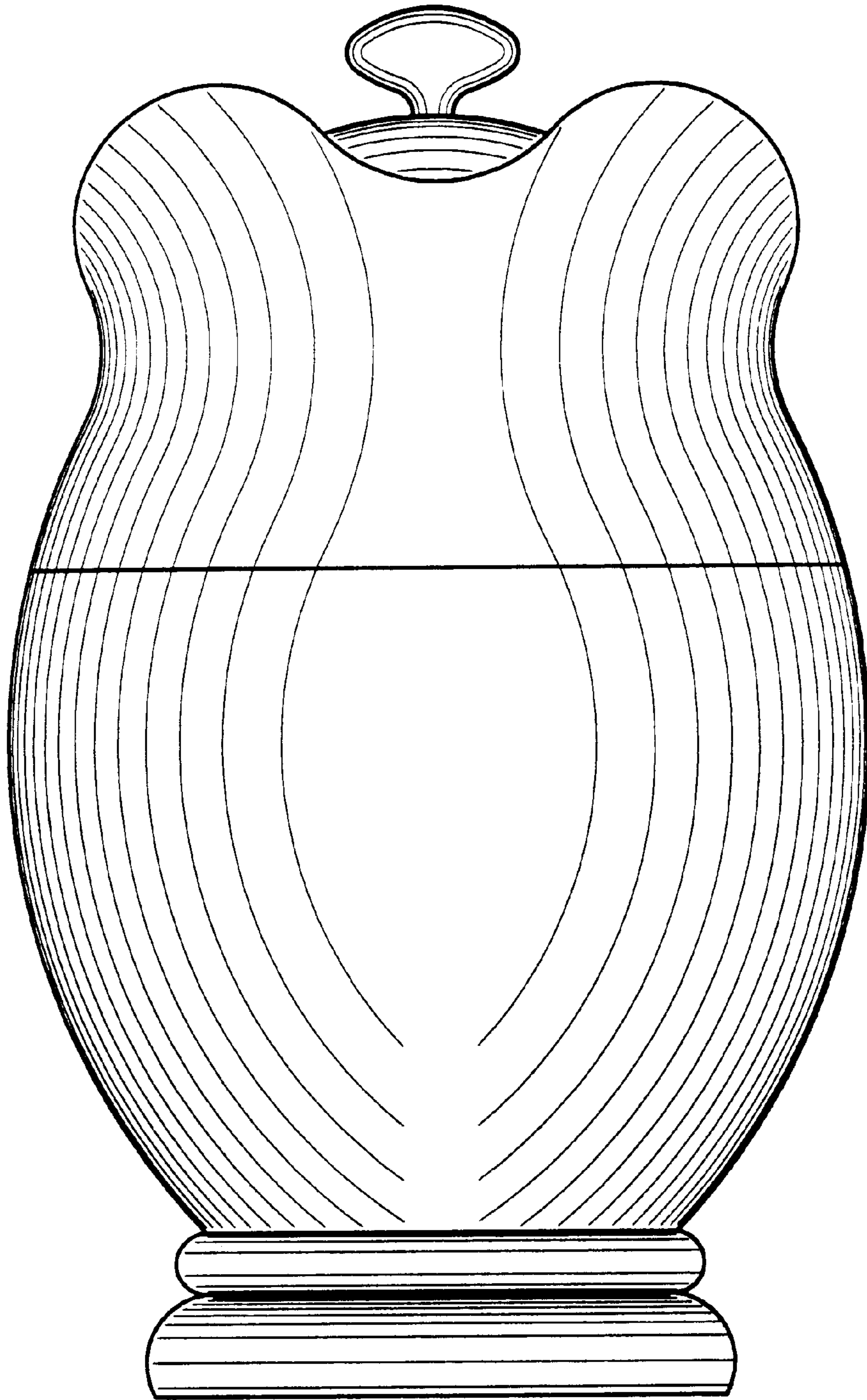


Fig. 3

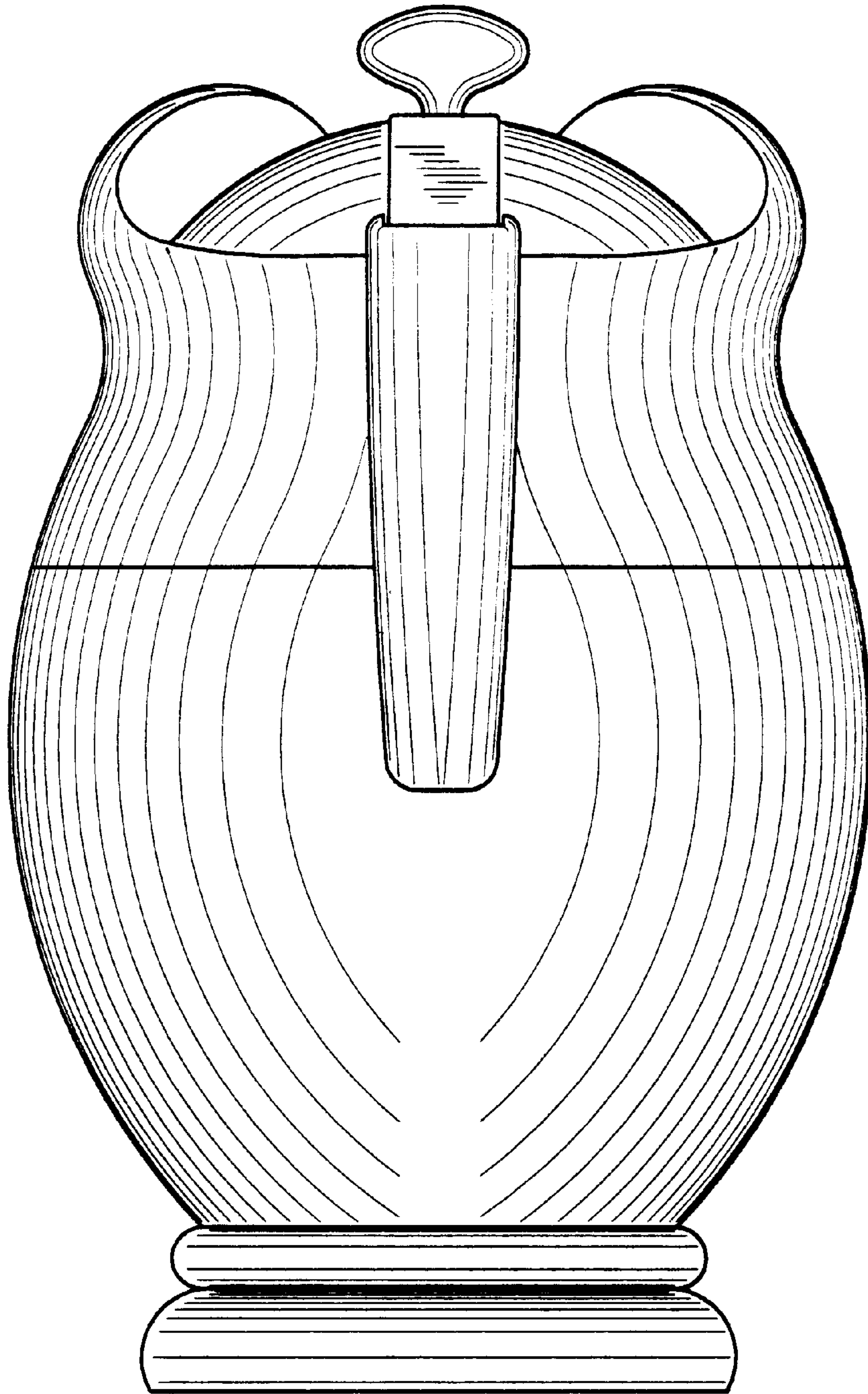


Fig. 4

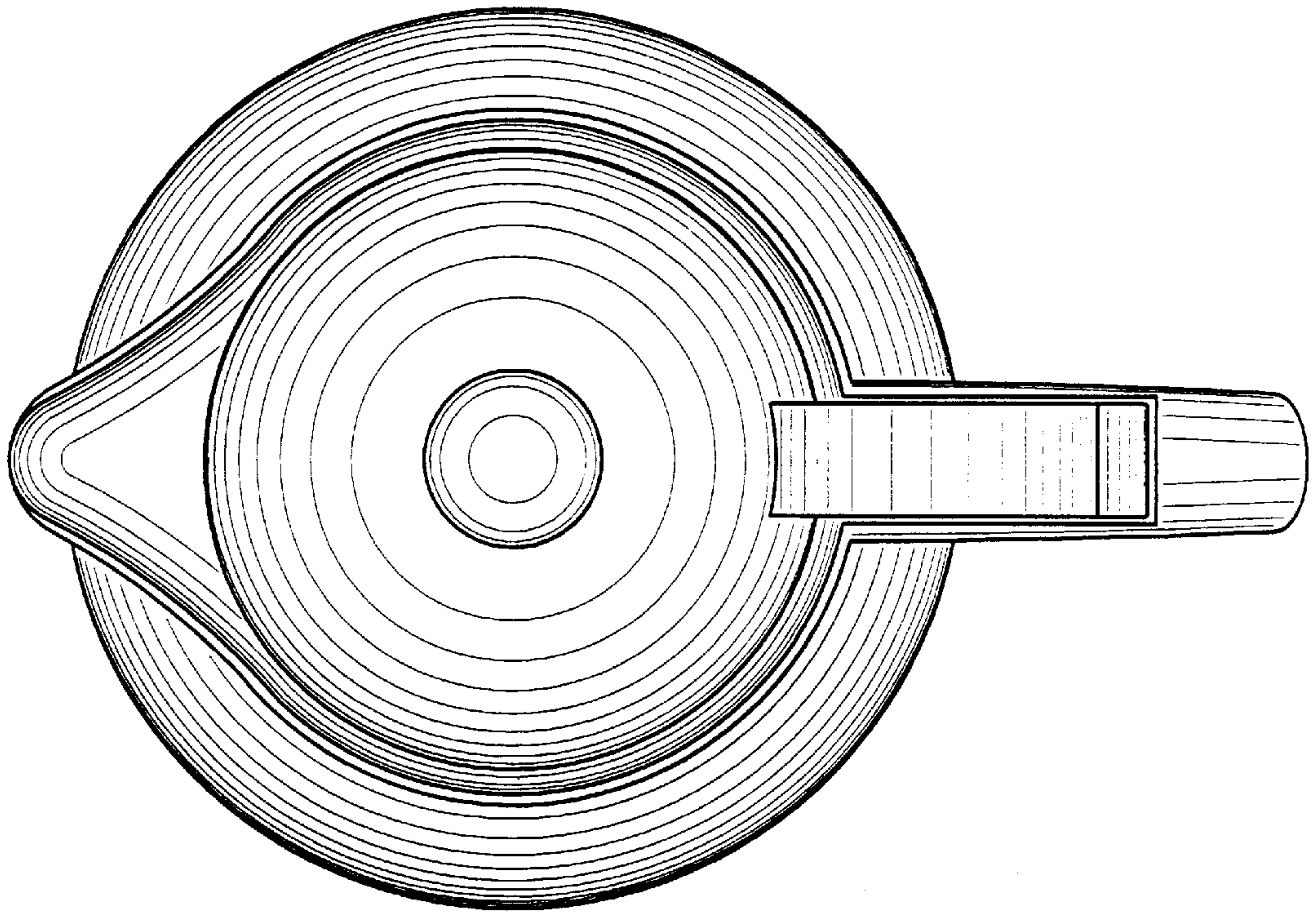


Fig. 5

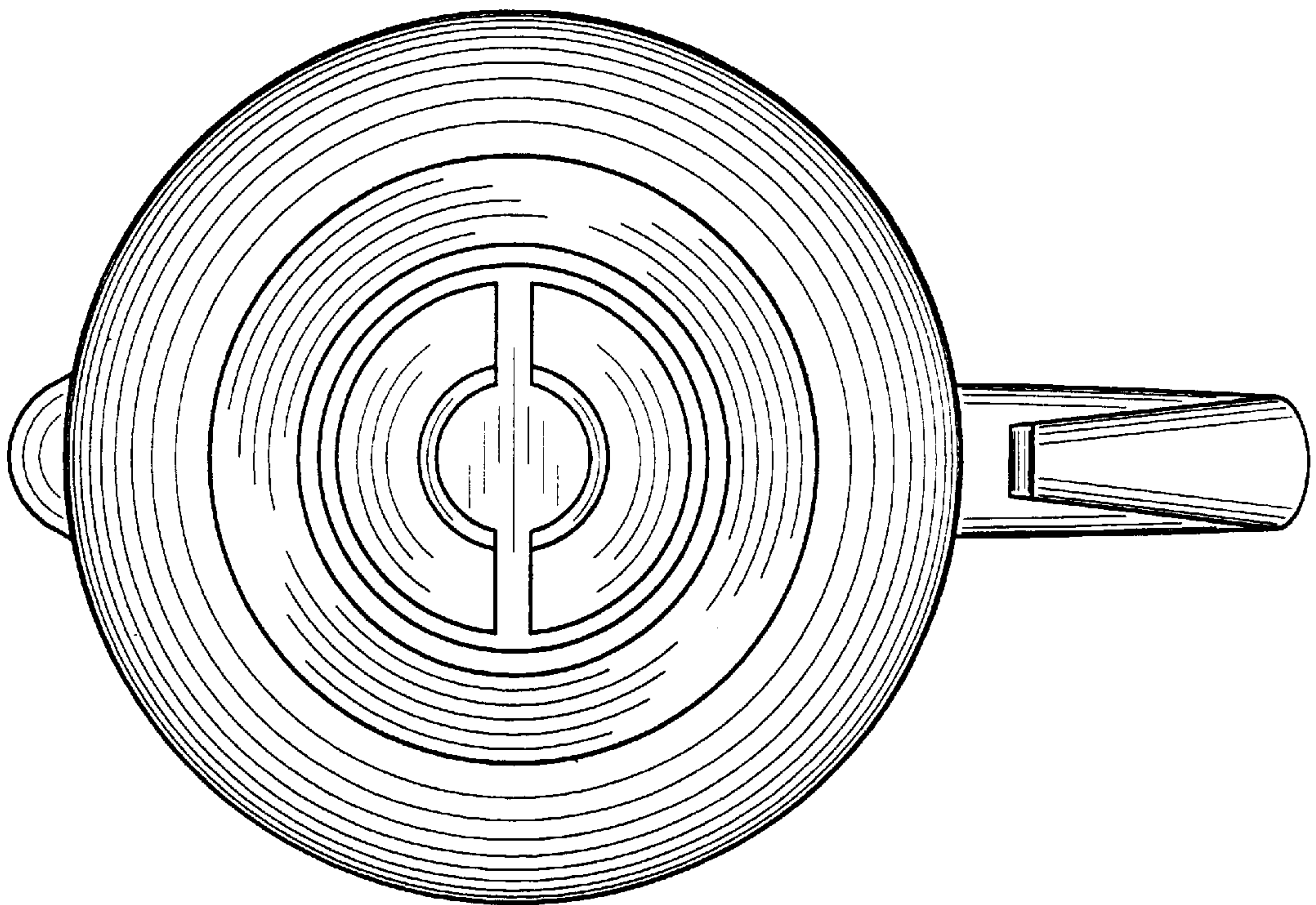


Fig. 6