



US00D419359S

# United States Patent [19]

Eguchi et al.

[11] Patent Number: Des. 419,359

[45] Date of Patent: \*\* Jan. 25, 2000

[54] CASE FOR A DISC

[75] Inventors: **Minako Eguchi; Hiroshi Meguro**, both of Tokyo, Japan

[73] Assignee: **Sony Corporation**, Tokyo, Japan

[\*\*] Term: **14 Years**

[21] Appl. No.: **29/093,686**

[22] Filed: **Sep. 17, 1998**

[51] LOC (7) Cl. .... **06-04**

[52] U.S. Cl. .... **D6/634**

[58] Field of Search ..... D6/407, 626-635; 211/40, 41.12, 42; D3/273, 294; 206/307, 307.1; 30/8.1-308.3, 425, 457, 531, 472-475, 387.1, 387.11, 387.15

## [56] References Cited

### U.S. PATENT DOCUMENTS

D. 347,728	6/1994	Taniyama	.....	D6/634
D. 391,437	3/1998	Moore et al.	.....	D6/634
D. 395,190	6/1998	Roth et al.	.....	D6/634
D. 399,677	10/1998	Cheris et al.	.....	D6/631
5,531,322	7/1996	Iwaki et al.	.....	206/308.1 X

*Primary Examiner*—Doris V. Coles  
*Assistant Examiner*—Linda Brooks  
*Attorney, Agent, or Firm*—Foley & Lardner

## [57] CLAIM

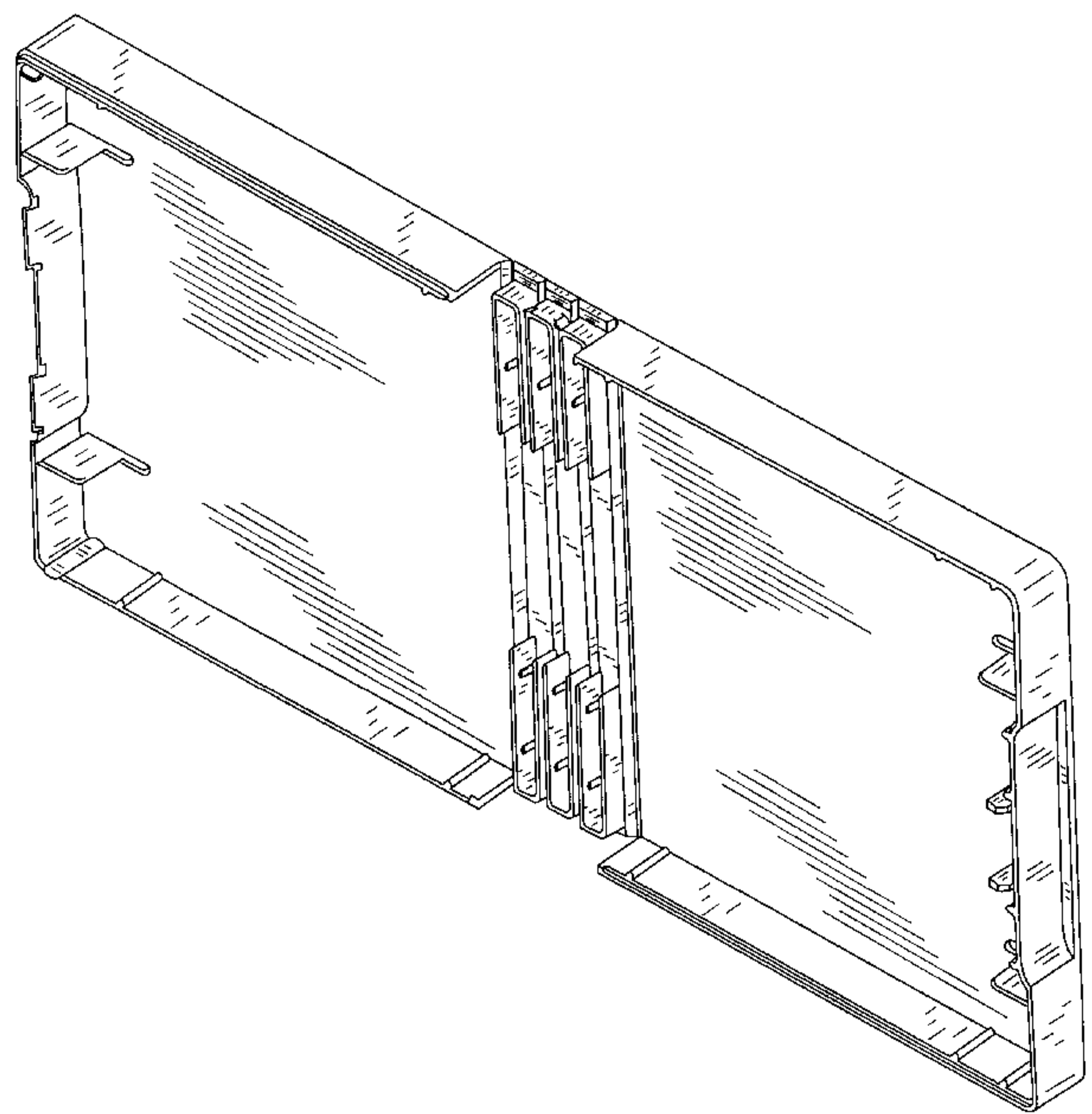
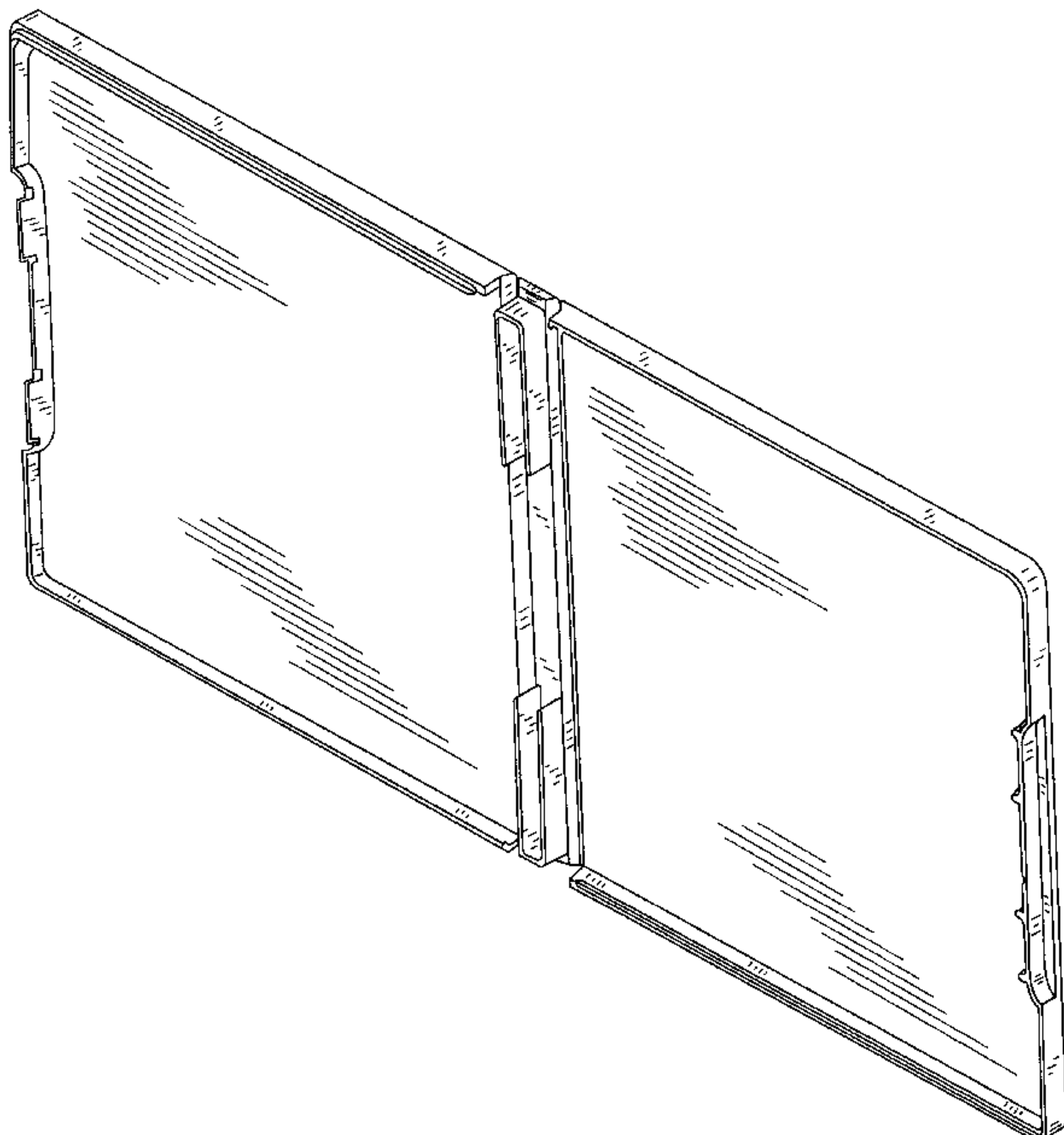
The ornamental design for a case for a disc, as shown and described.

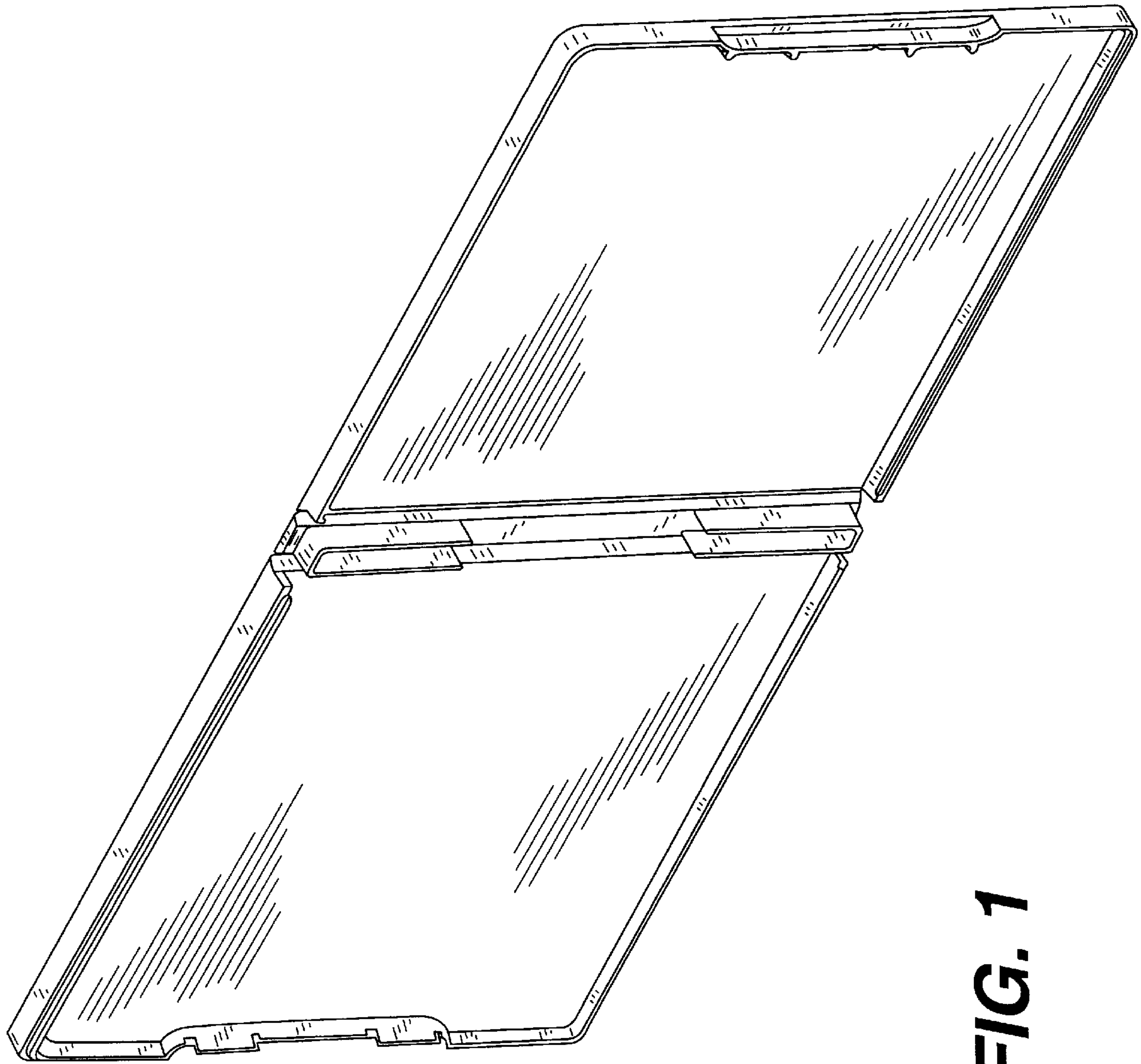
## DESCRIPTION

FIG. 1 is a perspective view of a first embodiment of a case for a disc showing our new design; FIG. 2 is a top plan view thereof;

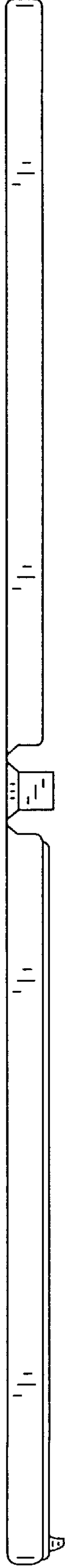
FIG. 3 is a left side elevational view thereof; FIG. 4 is a front elevational view thereof; FIG. 5 is a bottom plan view thereof; FIG. 6 is a right side elevational view thereof; and FIG. 7 is a rear elevational view thereof. FIG. 8 is a perspective view of the first embodiment shown in the closed position. FIG. 9 is a perspective view of a second embodiment of a case for a disc showing our new design; FIG. 10 is a top plan view thereof; FIG. 11 is a left side elevational view thereof; FIG. 12 is a front elevational view thereof; FIG. 13 is a bottom plan view thereof; FIG. 14 is a right side elevational view thereof; and FIG. 15 is a rear elevational view thereof. FIG. 16 is a perspective view of the second embodiment shown in the closed position. FIG. 17 is a perspective view of a third embodiment of a case for a disc showing our new design; FIG. 18 is a top plan view thereof; FIG. 19 is a left side elevational view thereof; FIG. 20 is a front elevational view thereof; FIG. 21 is a bottom plan view thereof; FIG. 22 is a right side elevational view thereof; and FIG. 23 is a rear elevational view thereof. FIG. 24 is a perspective view of the third embodiment shown in the closed position. FIG. 25 is a perspective view of a fourth embodiment of a case for a disc showing our new design; FIG. 26 is a top plan view thereof; FIG. 27 is a left side elevational view thereof; FIG. 28 is a front elevational view thereof; FIG. 29 is a bottom plan view thereof; FIG. 30 is a right side elevational view thereof; and FIG. 31 is a rear elevational view thereof; and, FIG. 32 is a perspective view of the fourth embodiment shown in the closed position.

**1 Claim, 24 Drawing Sheets**





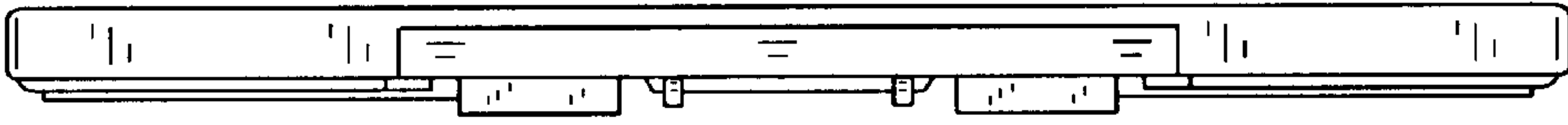
**FIG. 1**



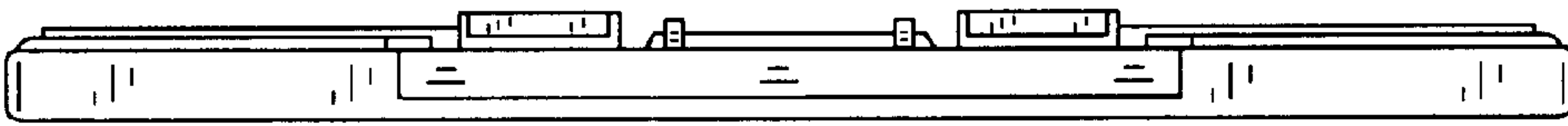
**FIG. 2**



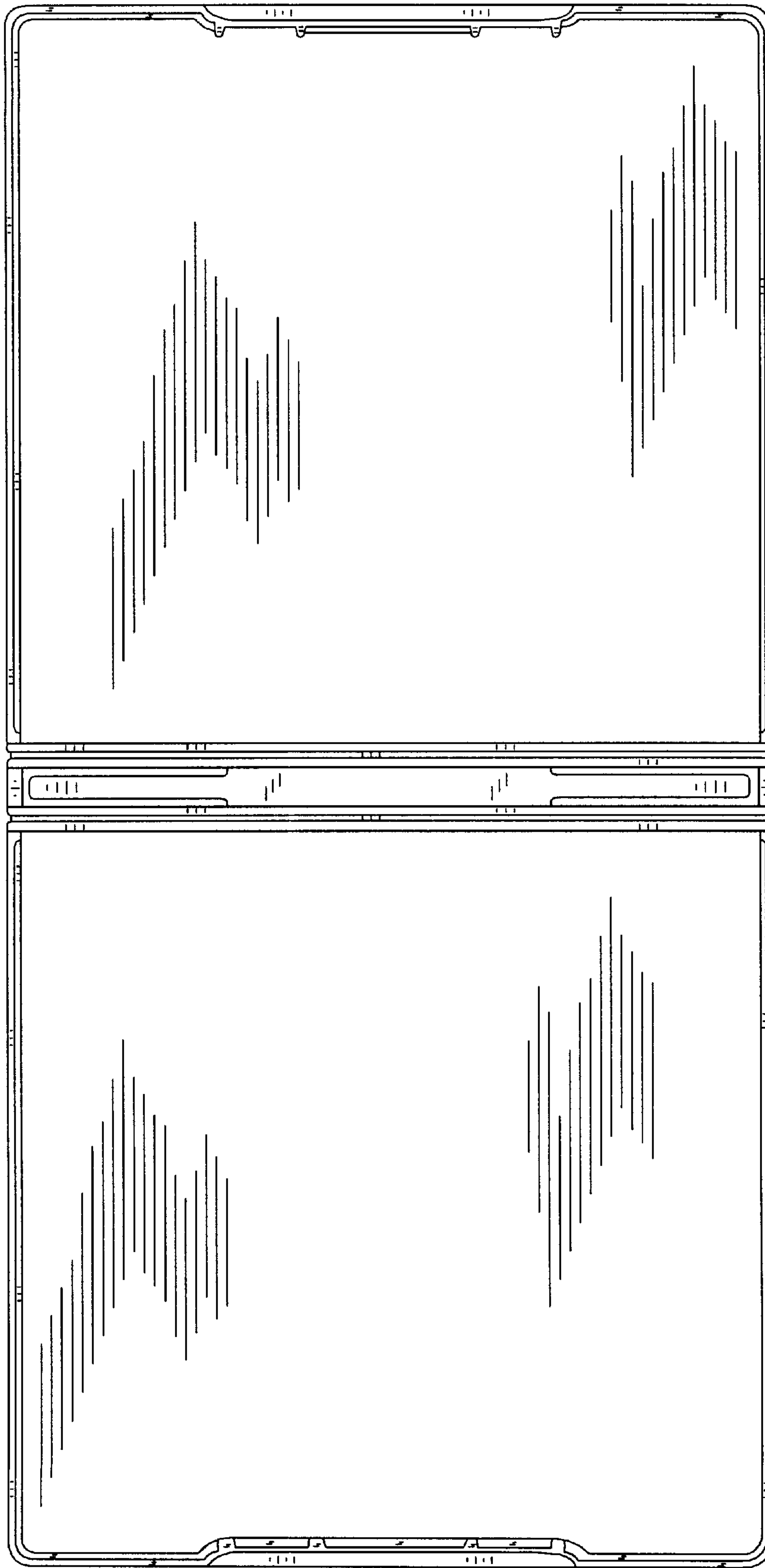
**FIG. 5**



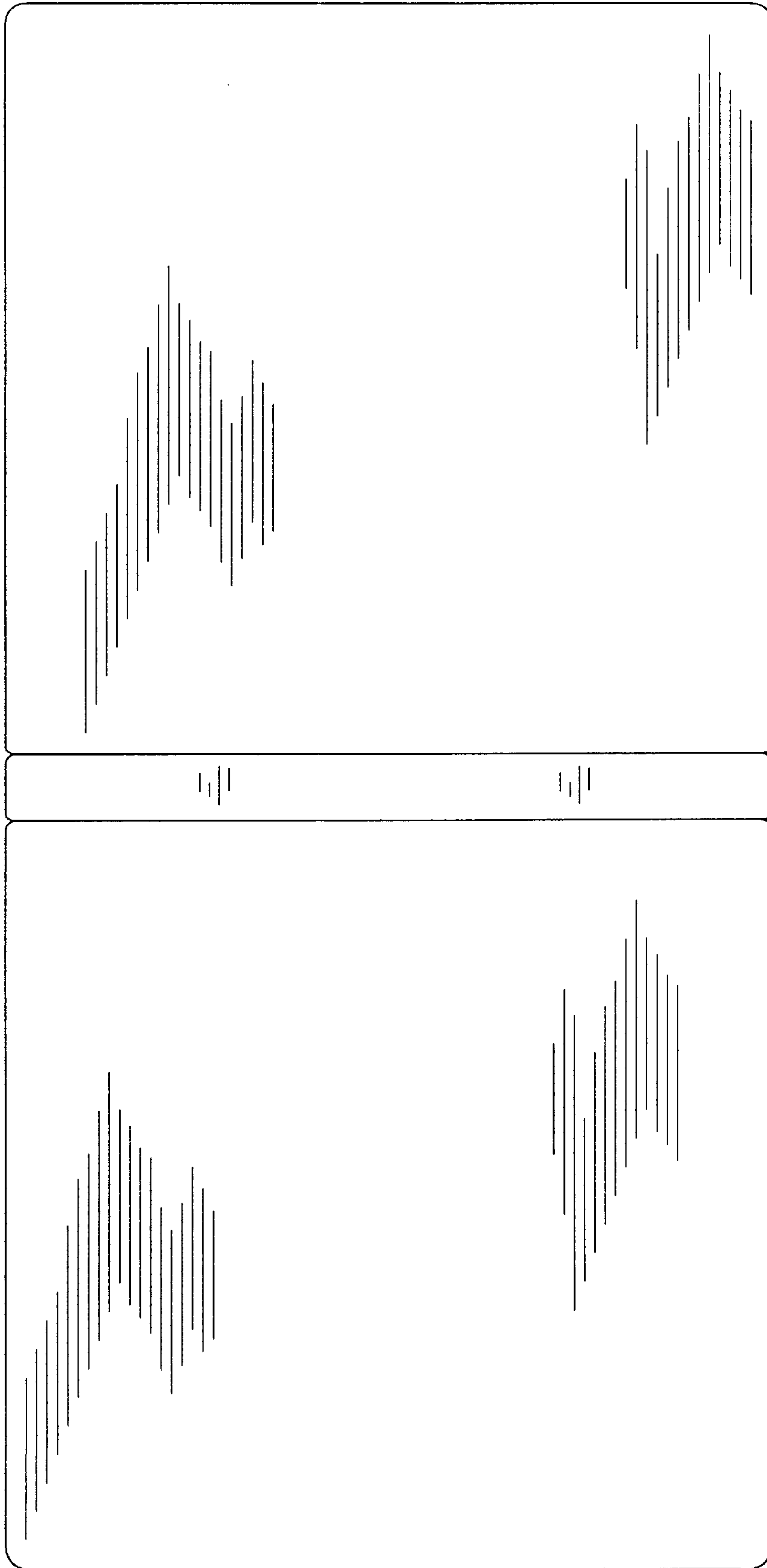
**FIG. 6**



**FIG. 3**

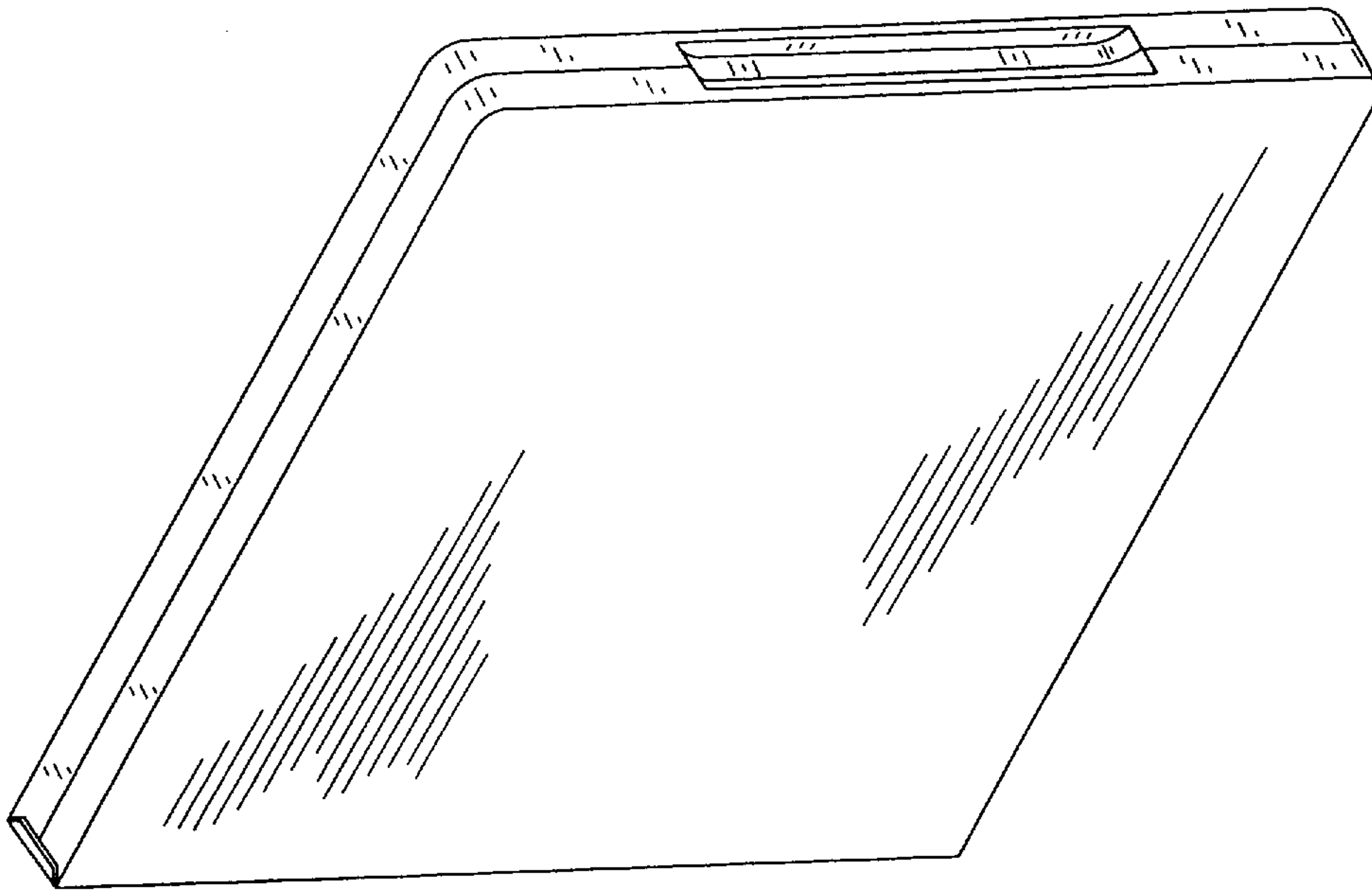


**FIG. 4**

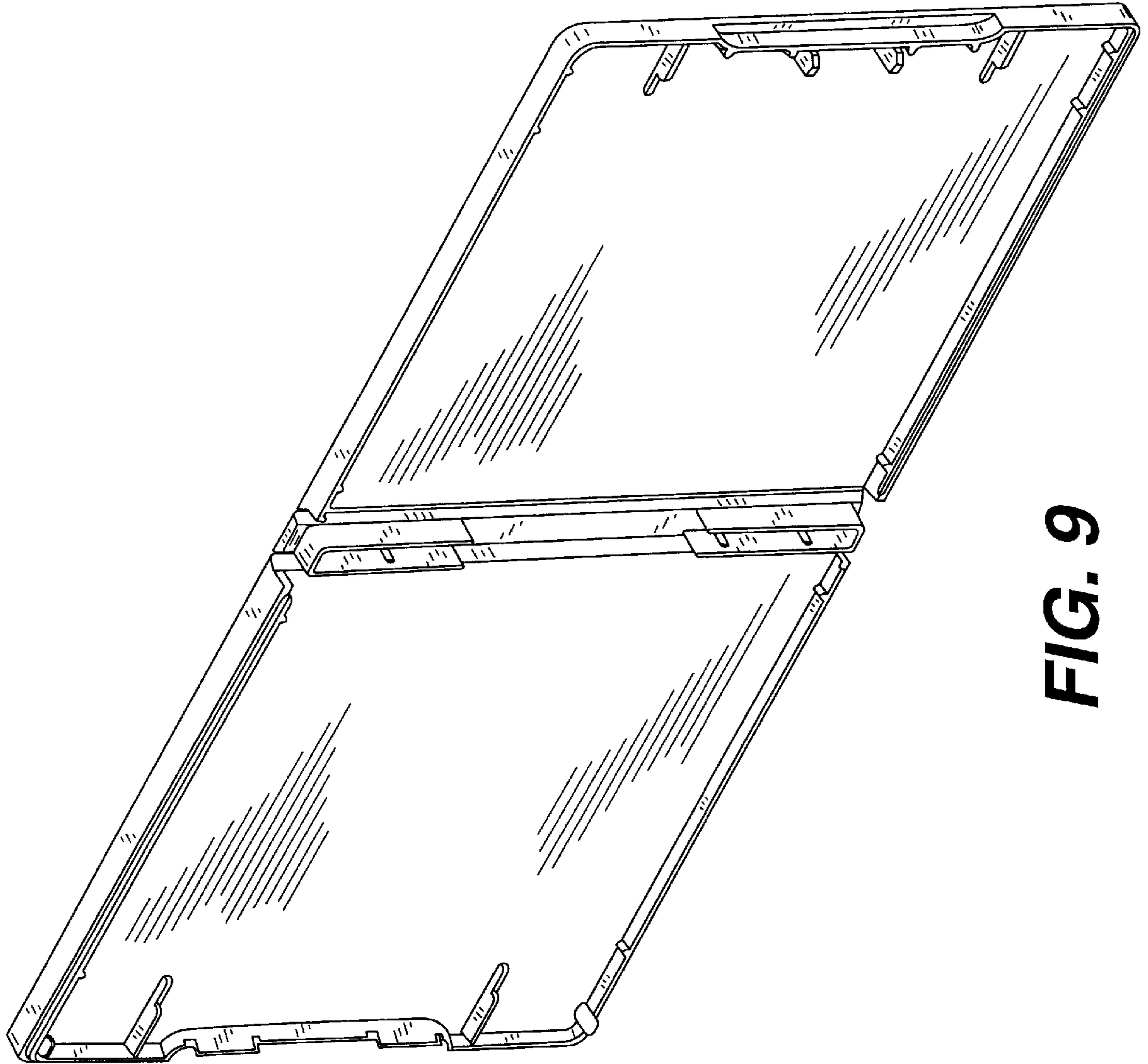


**FIG. 7**



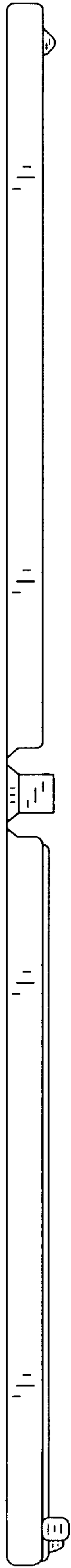


**FIG. 8**

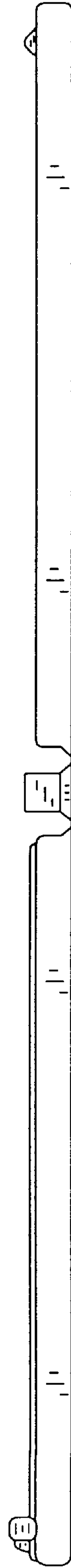


**FIG. 9**

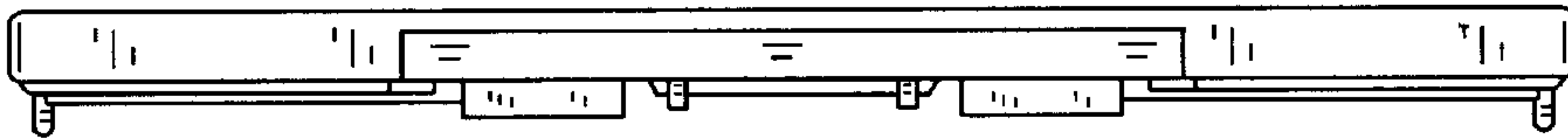




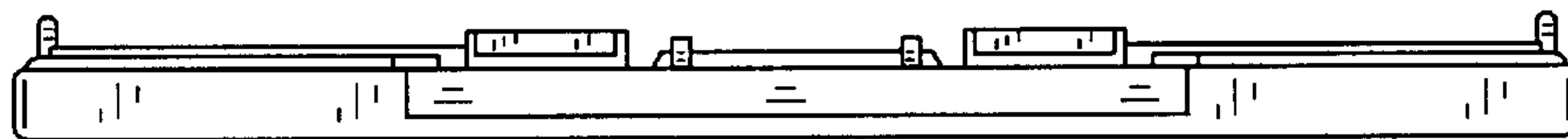
**FIG. 10**



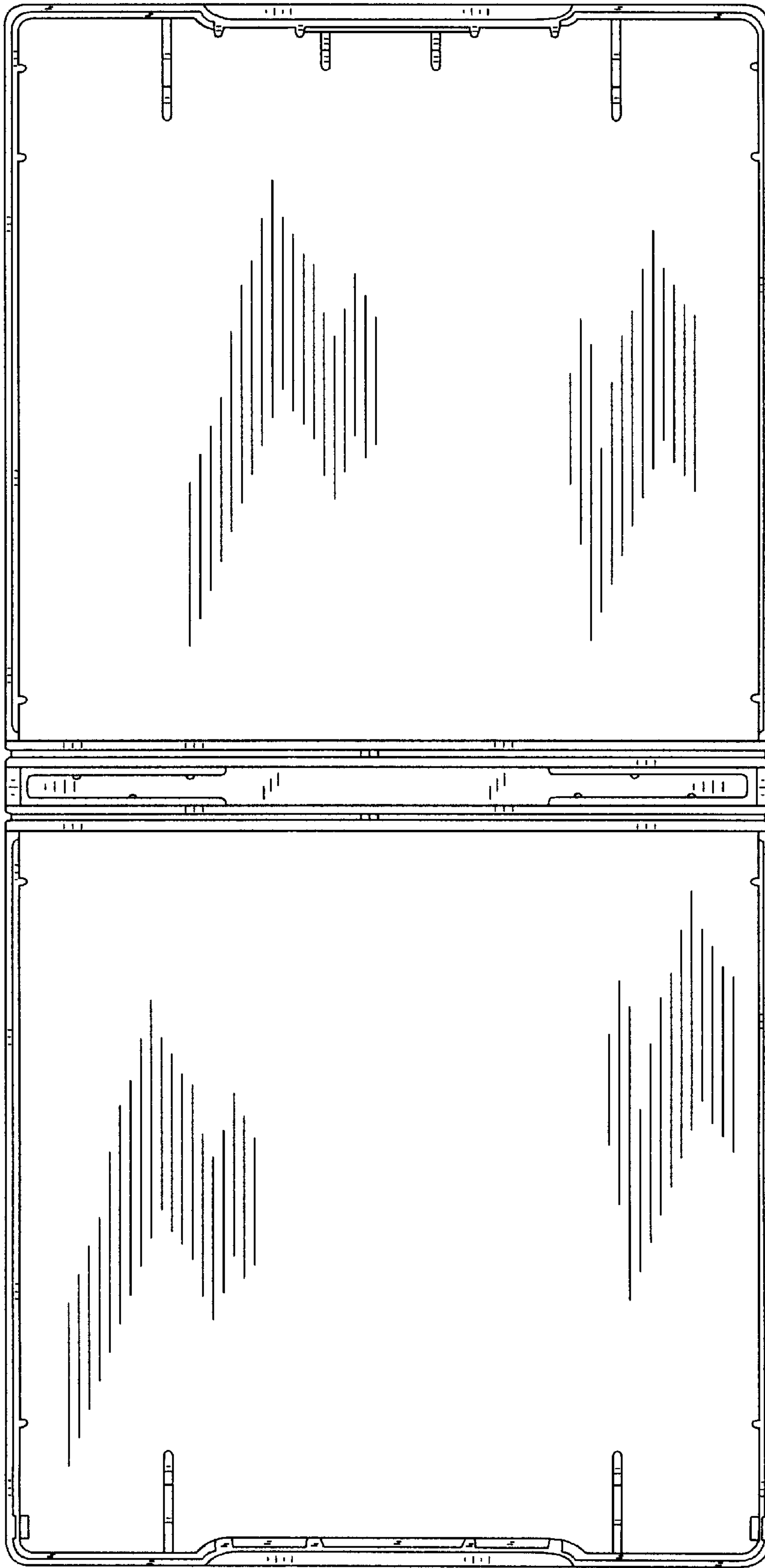
**FIG. 13**



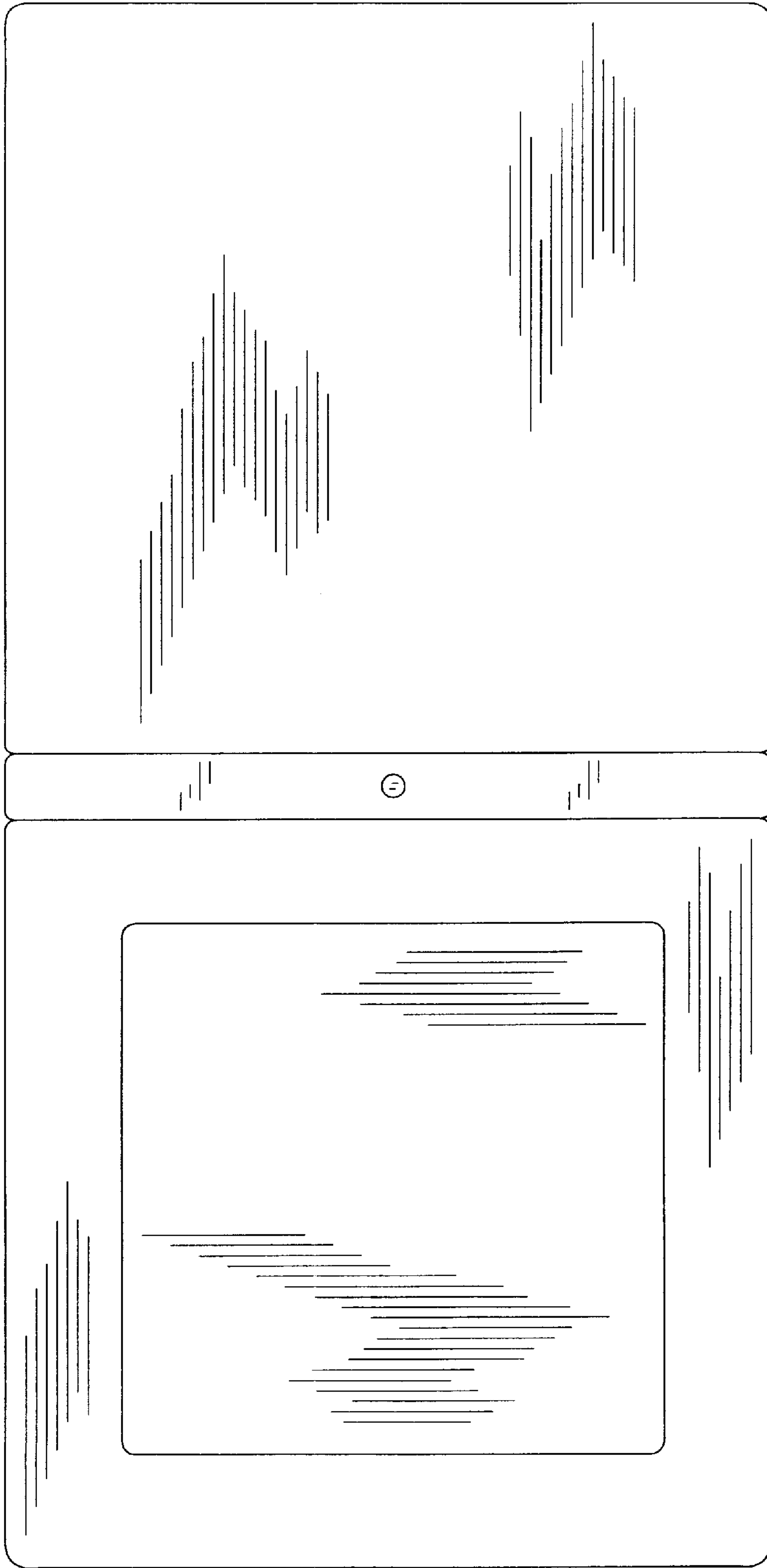
**FIG. 14**



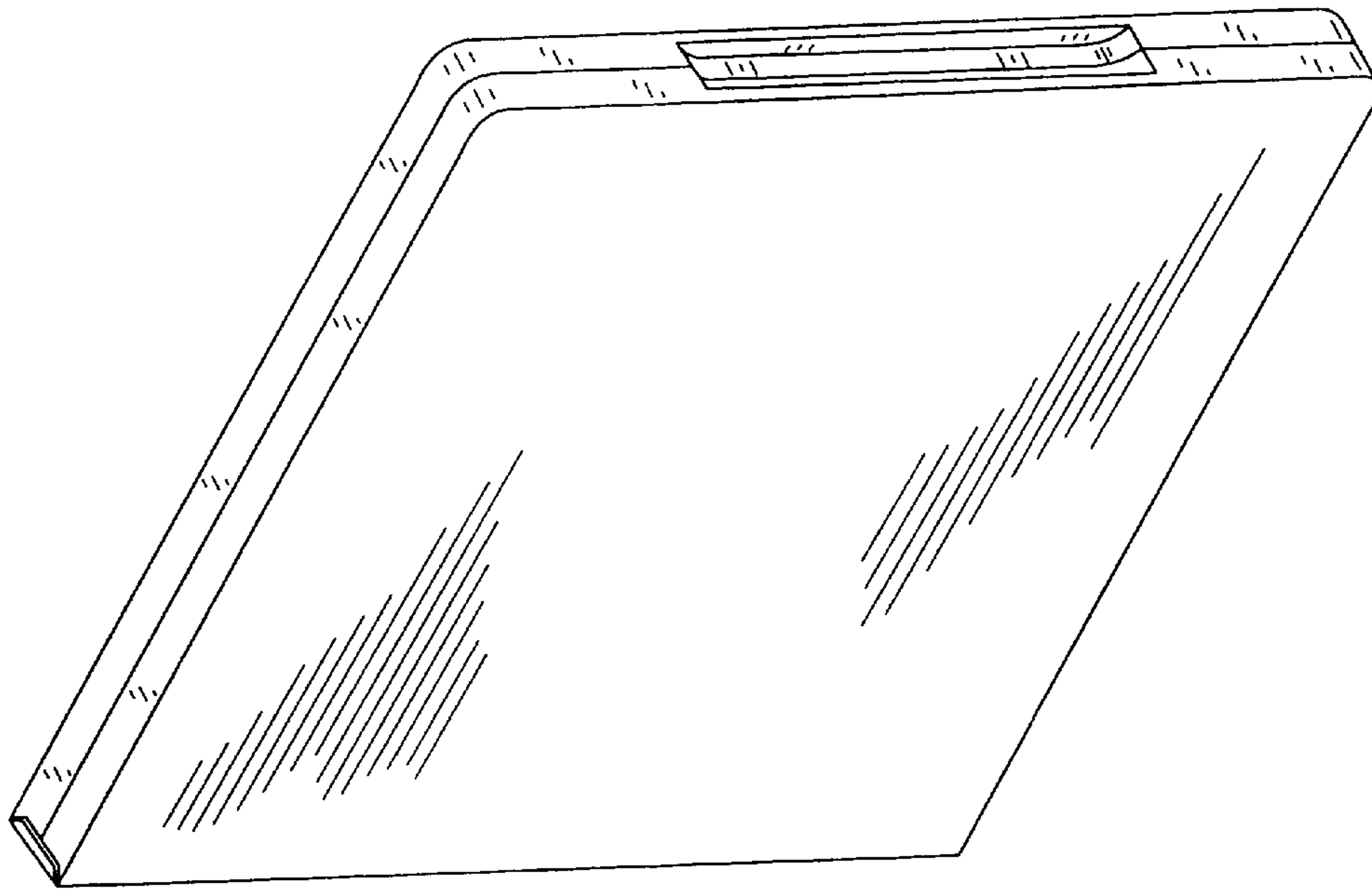
**FIG. 11**



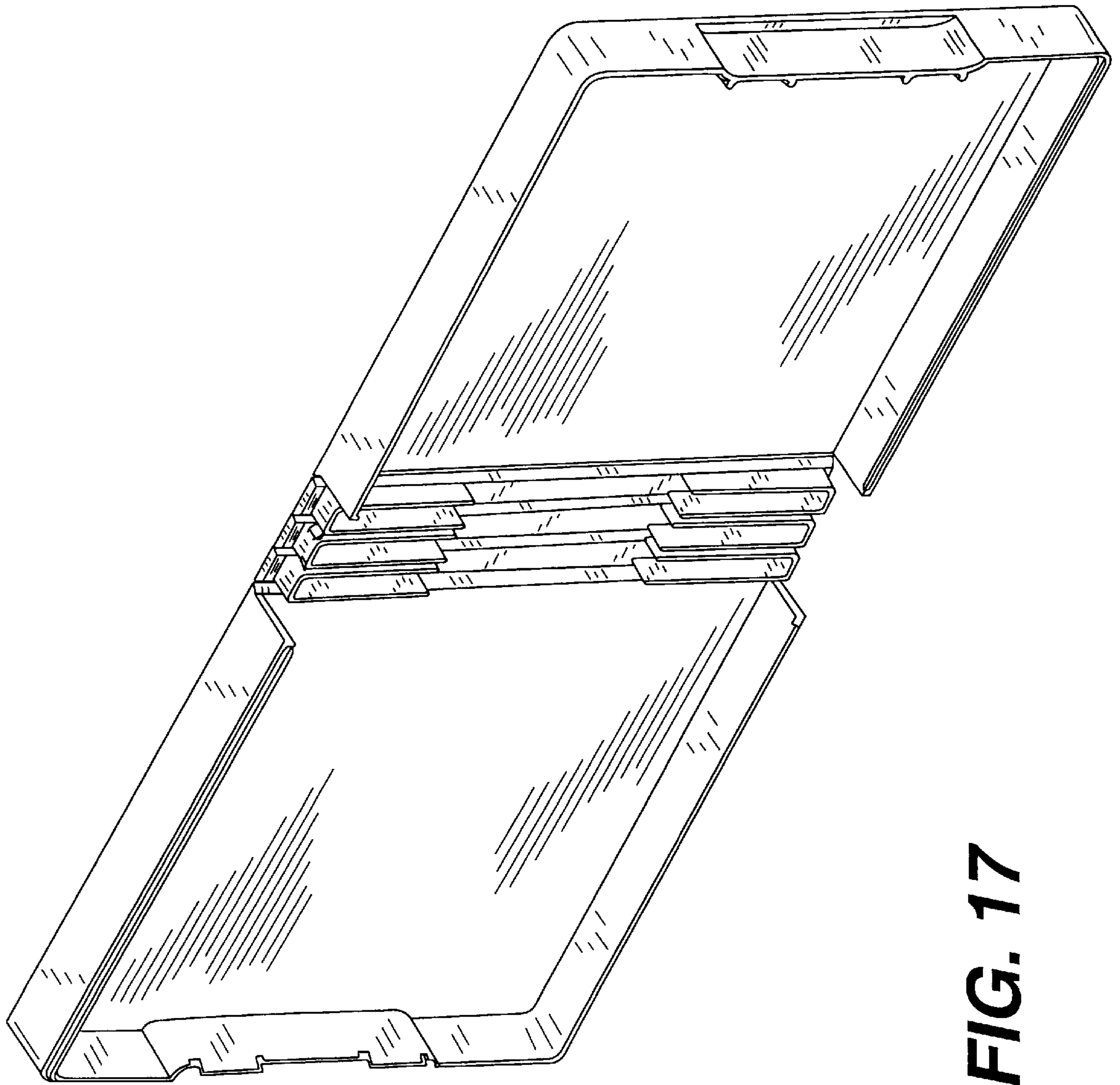
**FIG. 12**



**FIG. 15**

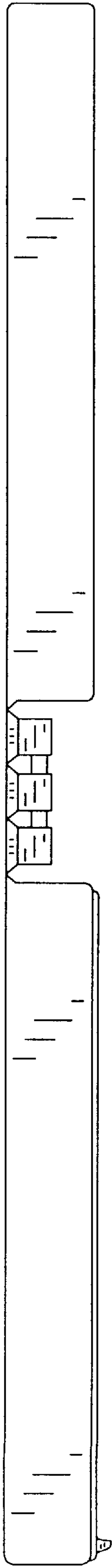


**FIG. 16**

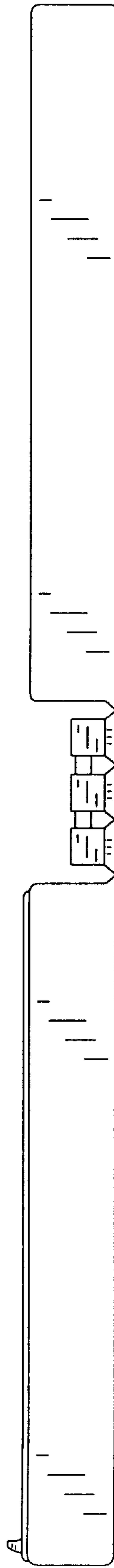


**FIG. 17**

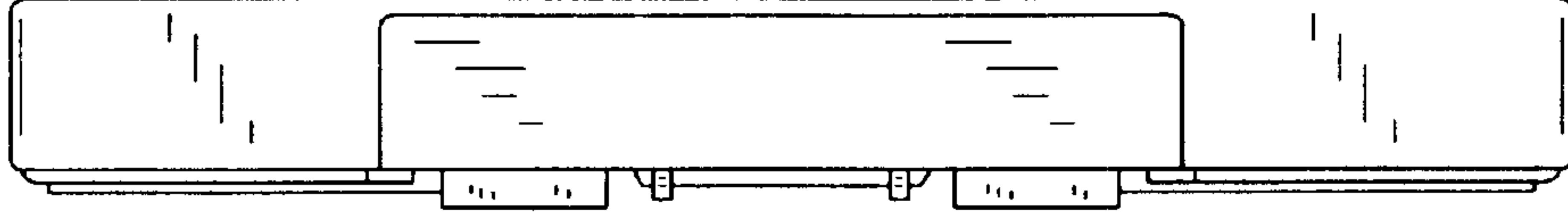




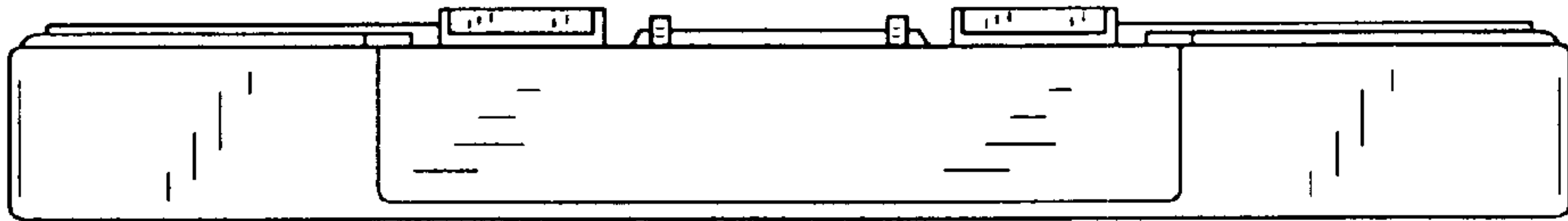
**FIG. 18**



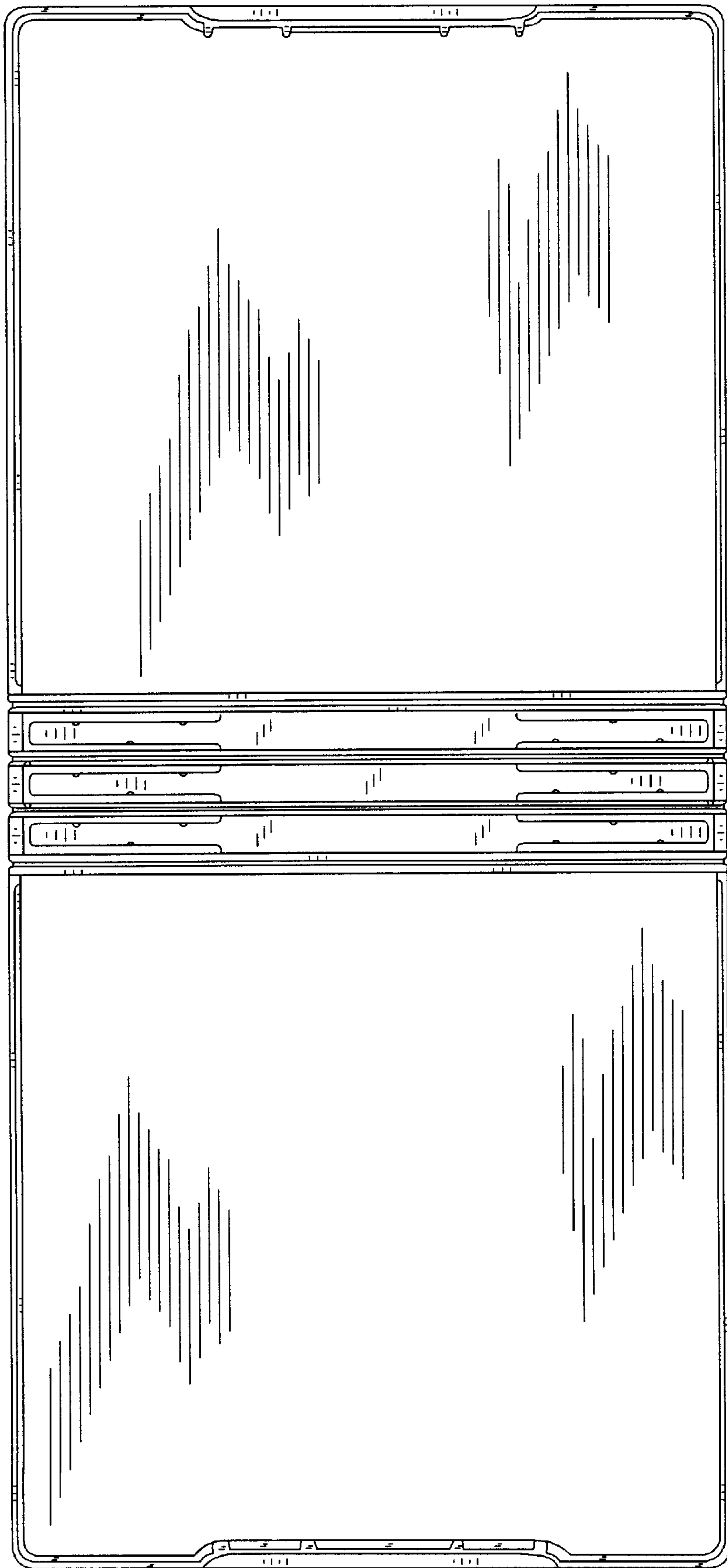
**FIG. 21**



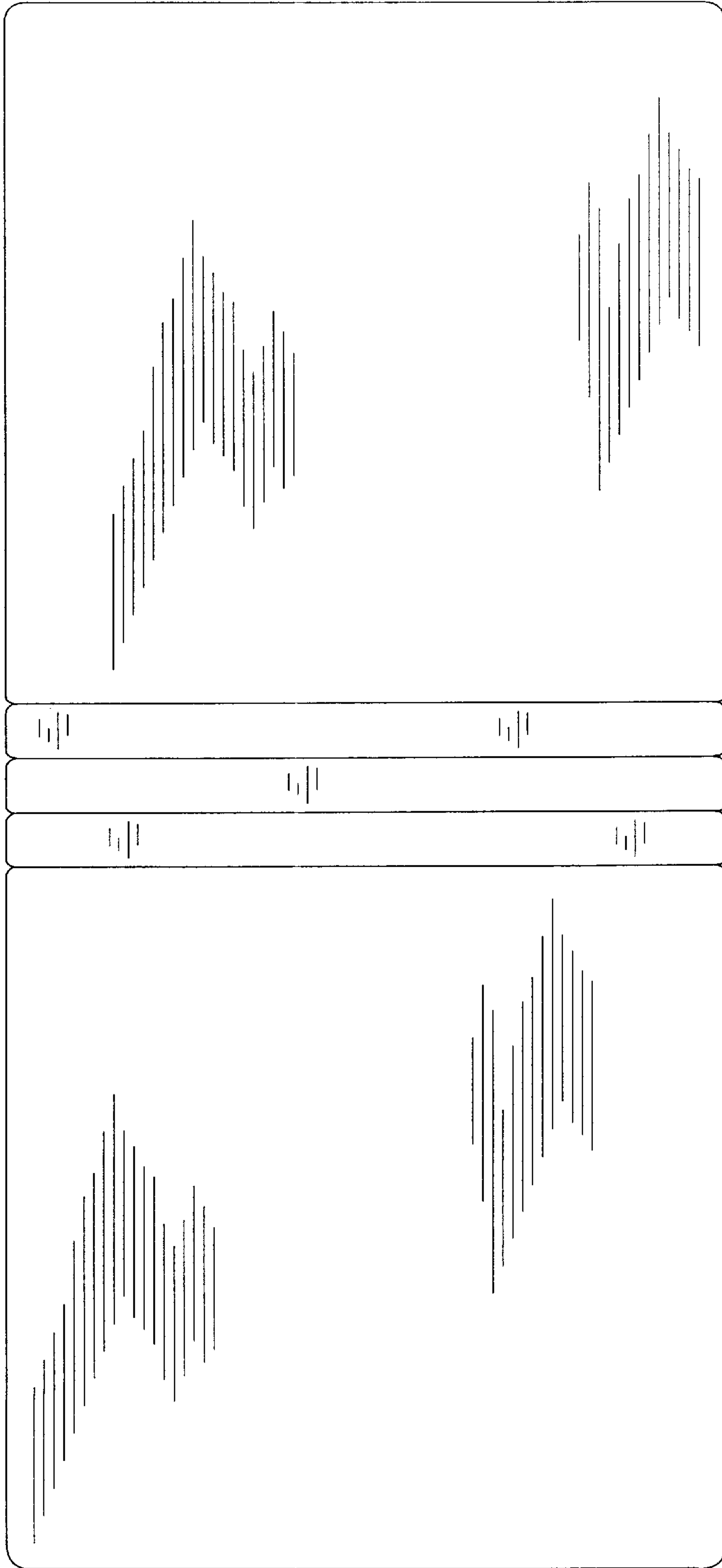
**FIG. 22**



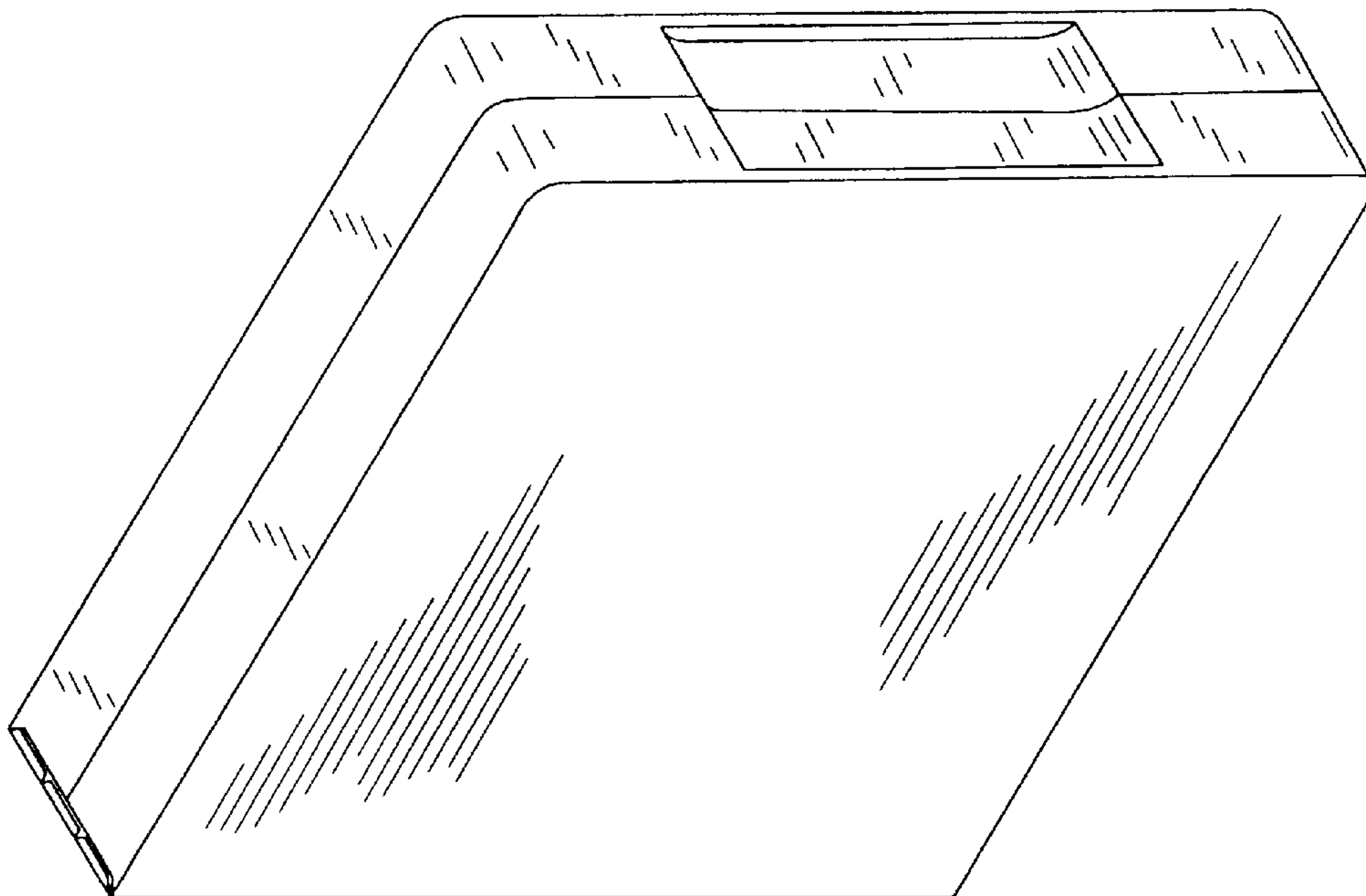
**FIG. 19**



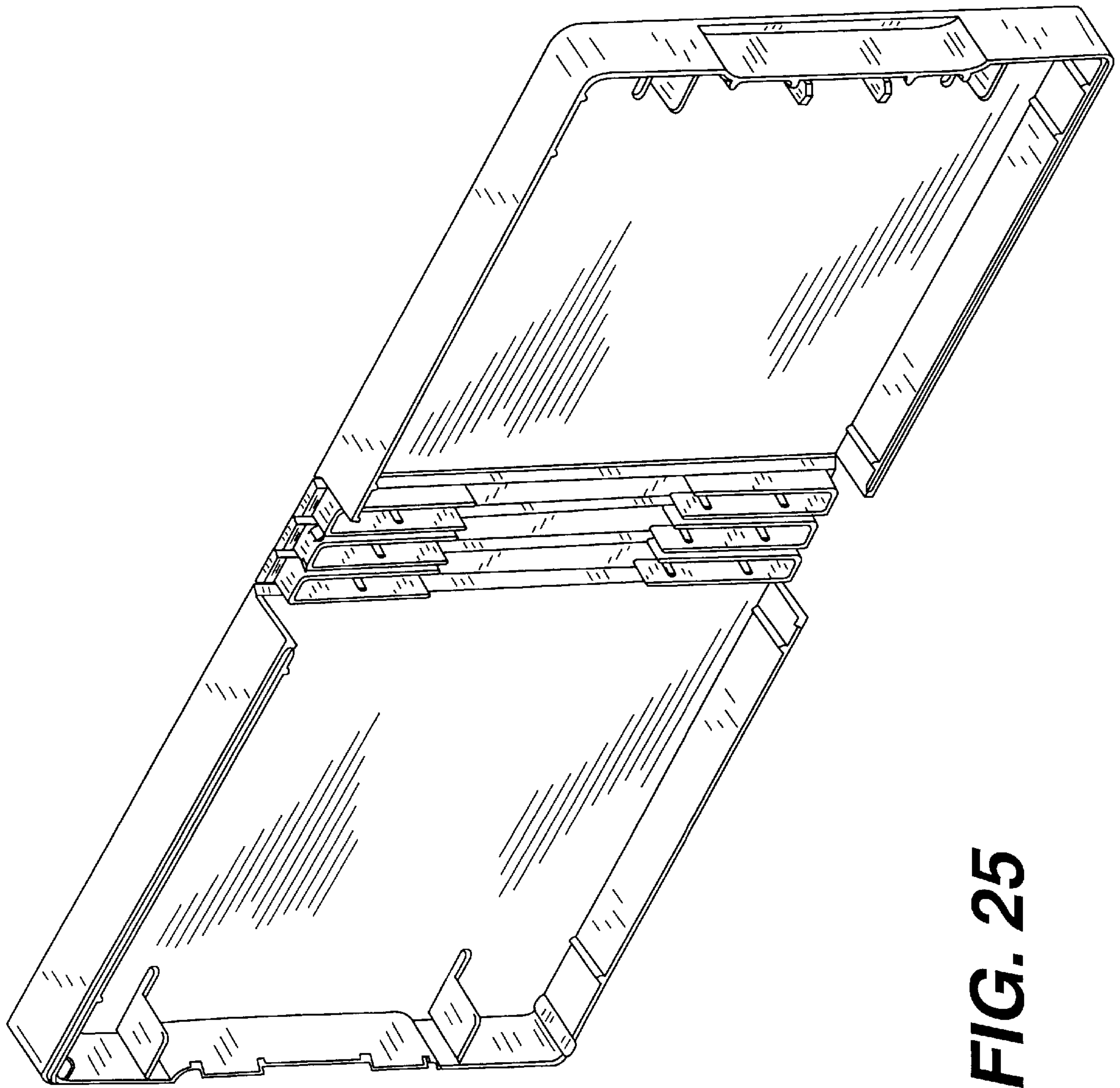
**FIG. 20**



**FIG. 23**

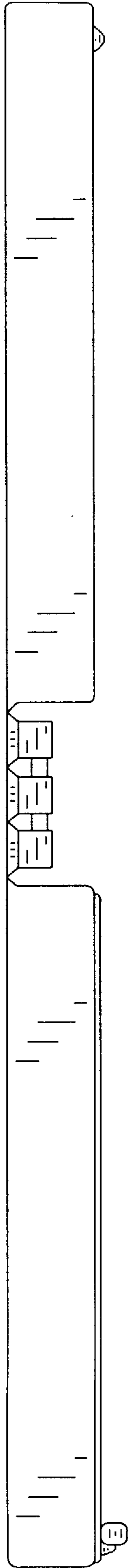


**FIG. 24**

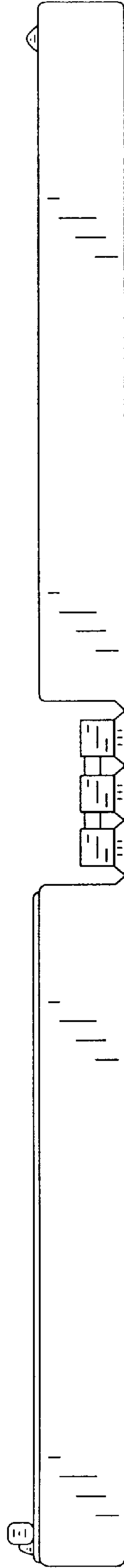


**FIG. 25**

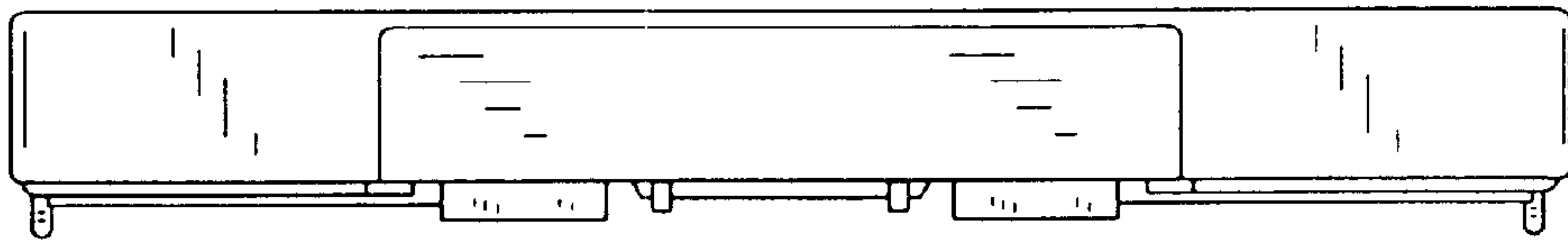




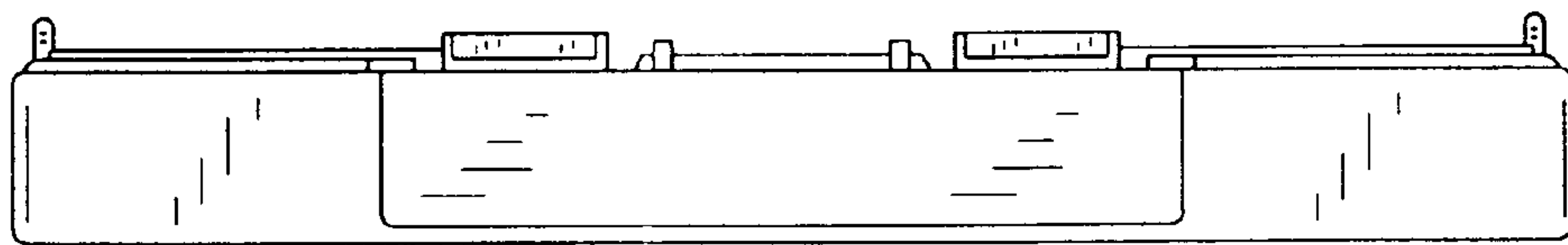
**FIG. 26**



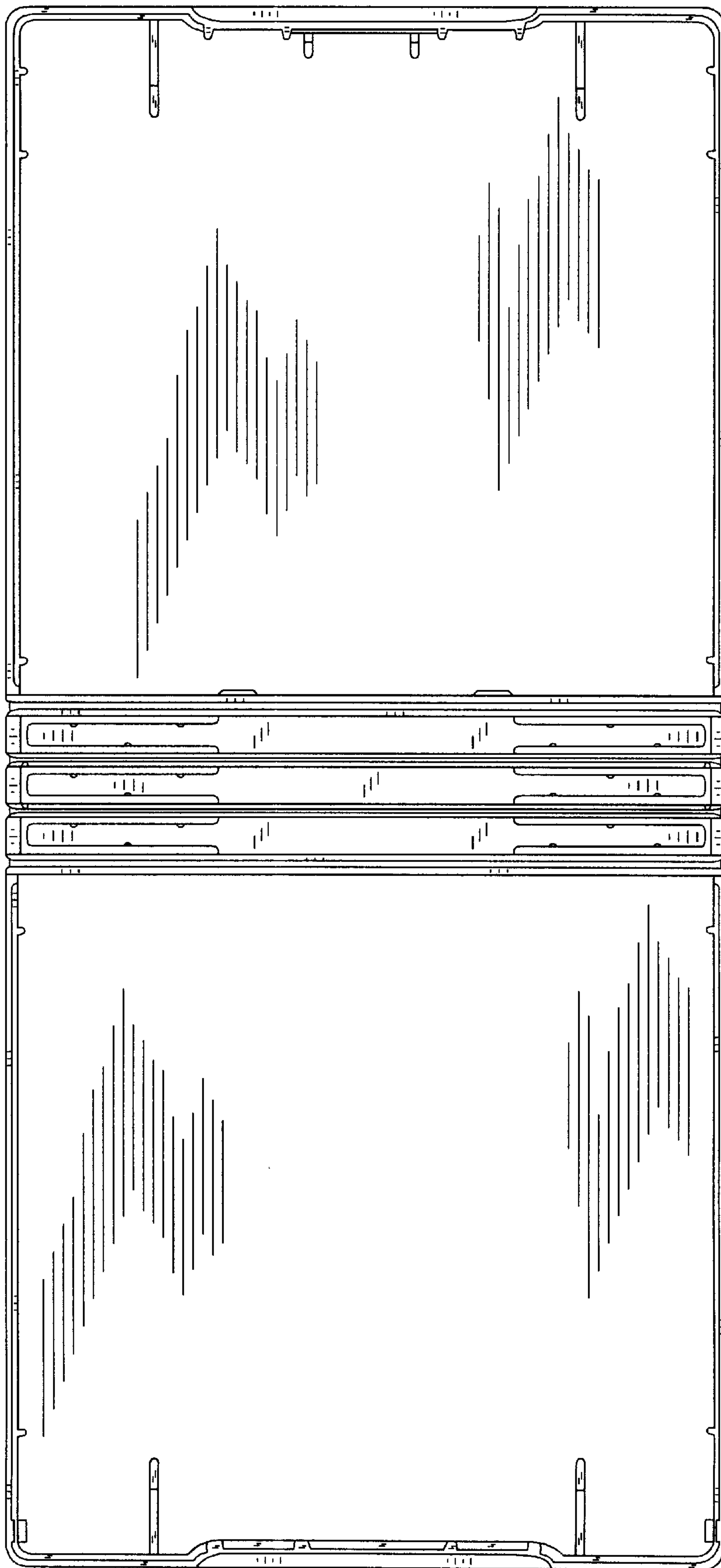
**FIG. 29**



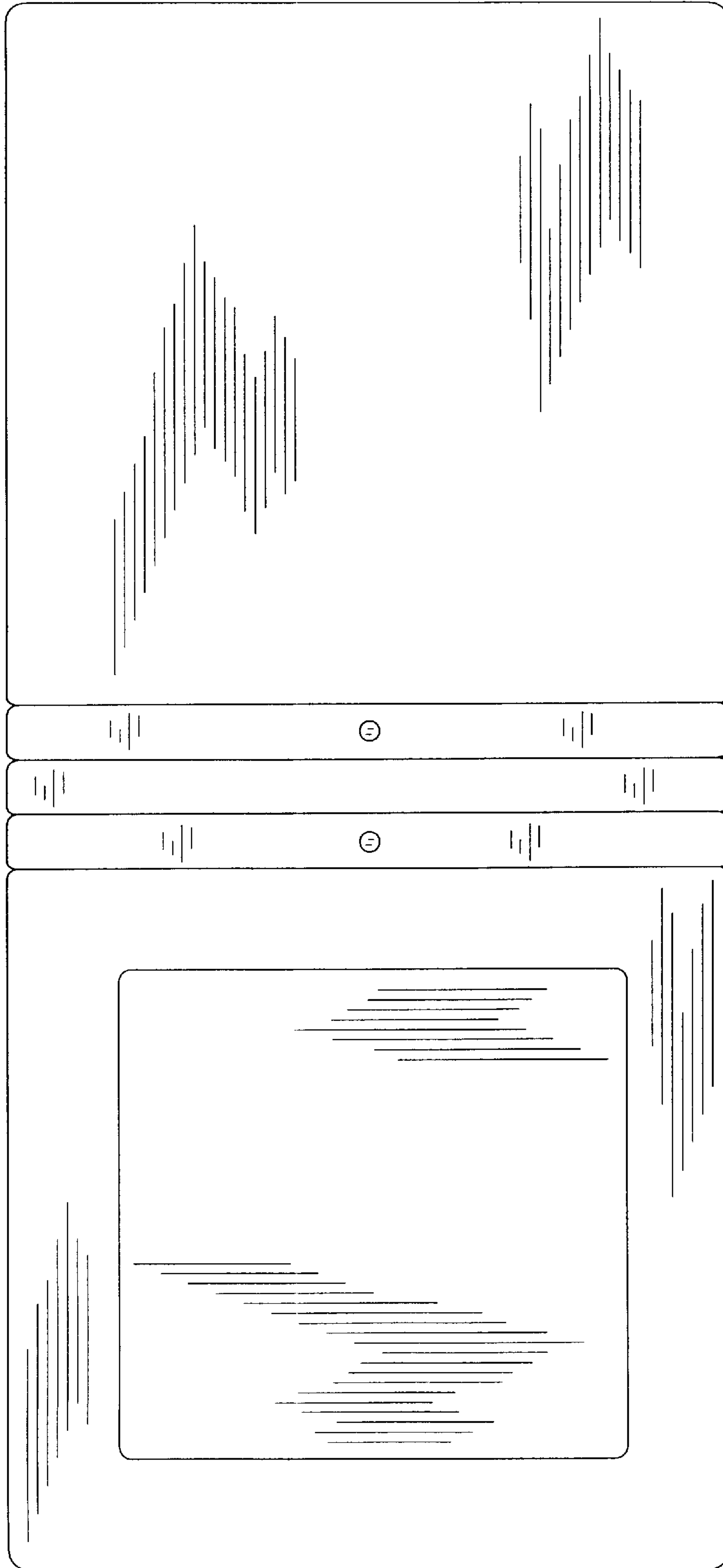
**FIG. 30**



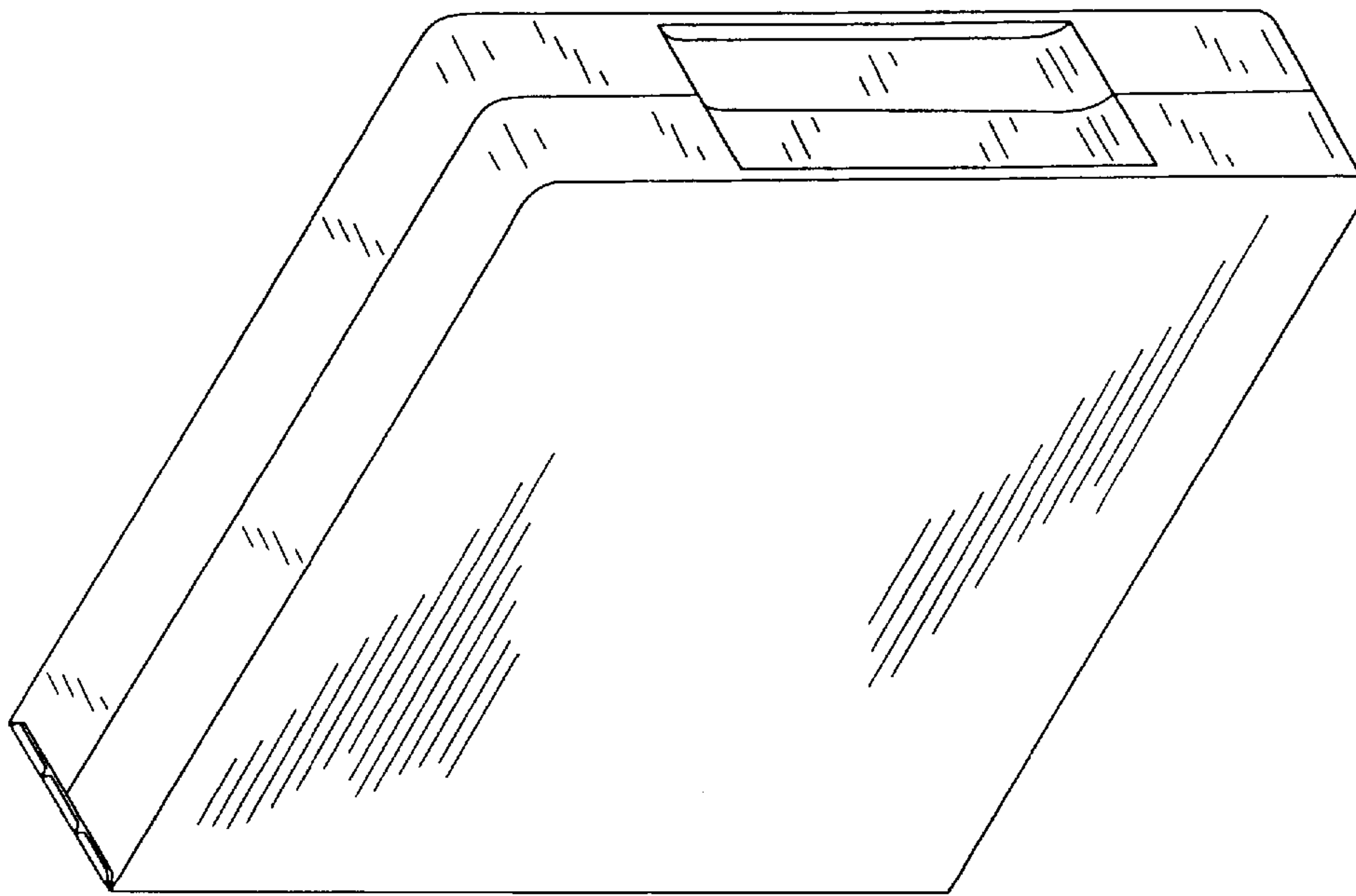
**FIG. 27**



**FIG. 28**



**FIG. 31**



**FIG. 32**