



US00D419358S

United States Patent [19]

Marcon

[11] Patent Number: Des. 419,358

[45] Date of Patent: ** Jan. 25, 2000

[54] HANGING FILE STORAGE SLEEVE FOR DISCS

[75] Inventor: Anthony J. Marcon, Littleton, Colo.

[73] Assignee: AMI Corporation, Denver, Colo.

[**] Term: 14 Years

[21] Appl. No.: 29/104,321

[22] Filed: May 3, 1999

[51] LOC (7) Cl. 06-04

[52] U.S. Cl. D6/626; D6/407; D6/629; D6/635

[58] Field of Search D3/201; D6/407, D6/408, 626-635; D14/124; D19/25, 26, 27, 32, 33, 74, 75, 78, 90; 40/340, 360, 626, 771, 775, 307, 184; 206/307, 308.1, 308.3, 309, 311, 312, 313, 387.13; 229/67.1, 68.1, 70-72; 283/116, 117

[56] References Cited

U.S. PATENT DOCUMENTS

D. 360,800	8/1995	Temple	D6/629
D. 407,441	3/1999	Greenberg et al.	D19/90
D. 413,753	9/1999	Allsop	D6/626
4,950,096	8/1990	Gilder	402/4
4,979,626	12/1990	Pitts	211/45
5,396,987	3/1995	Temple et al.	206/309
5,556,683	9/1996	Ranalli	428/76
5,906,275	5/1999	Jokic	206/308.1
5,915,549	6/1999	Palmer et al.	206/308.1

Primary Examiner—Celia A Murphy

Attorney, Agent, or Firm—Dorr, Carson, Sloan & Birney, P.C.

[57] CLAIM

The ornamental design for a hanging file storage sleeve for discs, as shown and described.

DESCRIPTION

FIG. 1 is a front perspective view of a hanging file storage sleeve showing my new design.

FIG. 2 is a rear perspective view thereof.

FIG. 3 is a front elevational view thereof.

FIG. 4 is a right side elevational view thereof, with the left side elevational view being a mirror image of FIG. 4.

FIG. 5 is a top plan view thereof.

FIG. 6 is a rear elevational view thereof.

FIG. 7 is a bottom plan view thereof.

FIG. 8 is a front perspective view of an alternative embodiment of the hanging file storage sleeve showing my new design.

FIG. 9 is a rear perspective view corresponding to FIG. 8.

FIG. 10 is a front elevational view of the embodiment shown in FIG. 8.

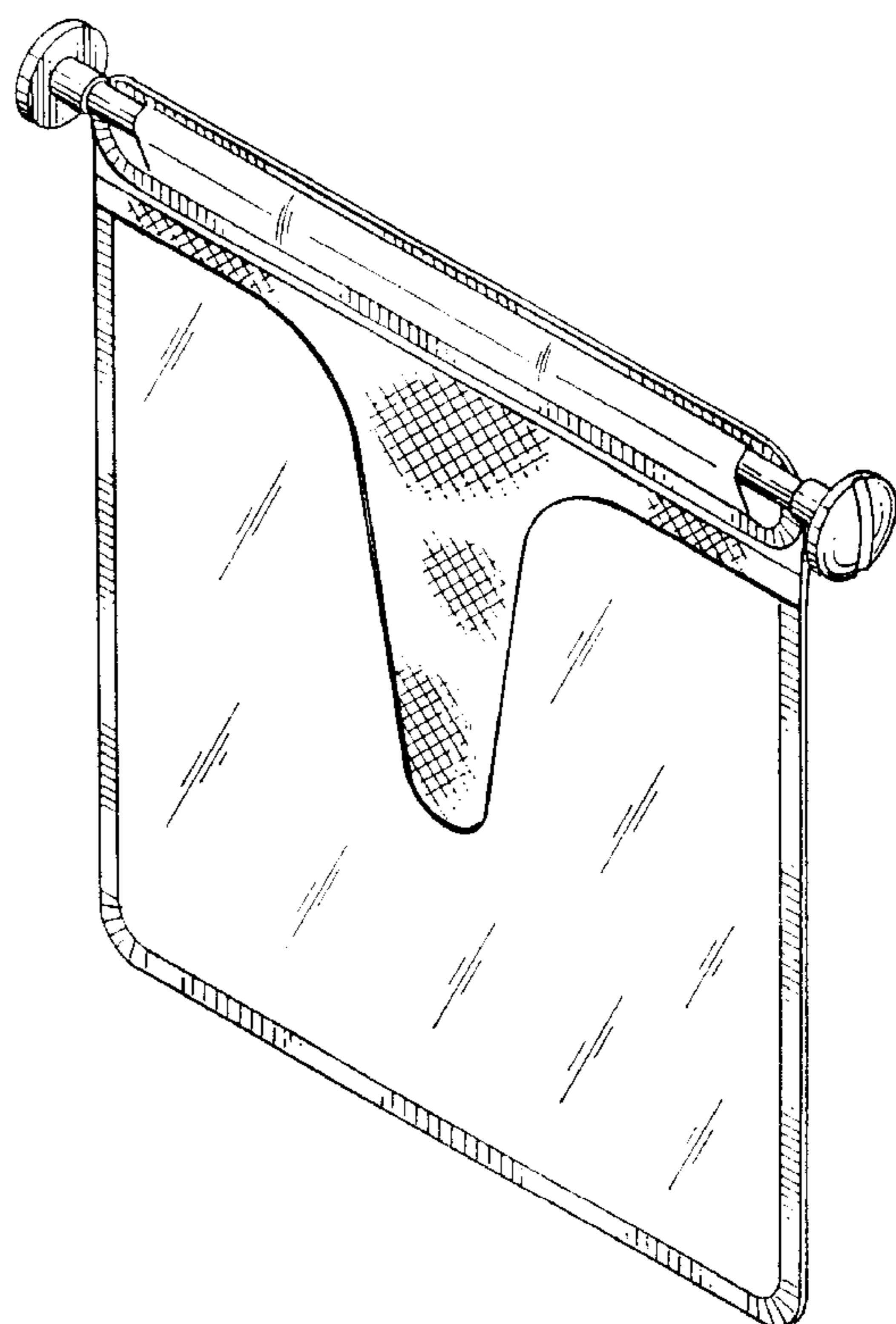
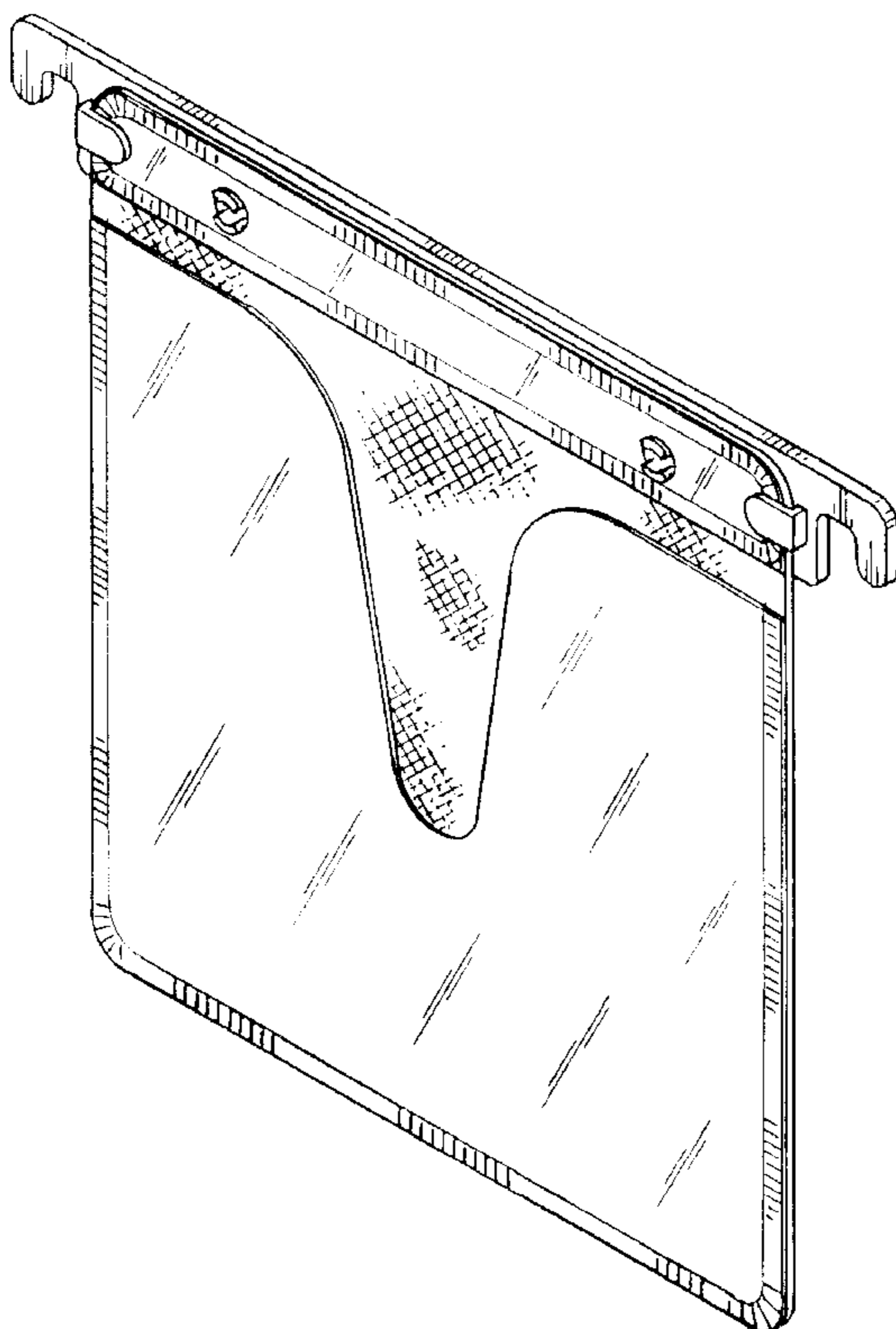
FIG. 11 is a right side elevational view of the embodiment shown in FIG. 8, with the left side elevational view being a mirror image of FIG. 11.

FIG. 12 is a top plan view of the embodiment shown in FIG. 8.

FIG. 13 is a rear elevational view of the embodiment shown in FIG. 8; and,

FIG. 14 is a bottom plan view of the embodiment shown in FIG. 8.

1 Claim, 6 Drawing Sheets



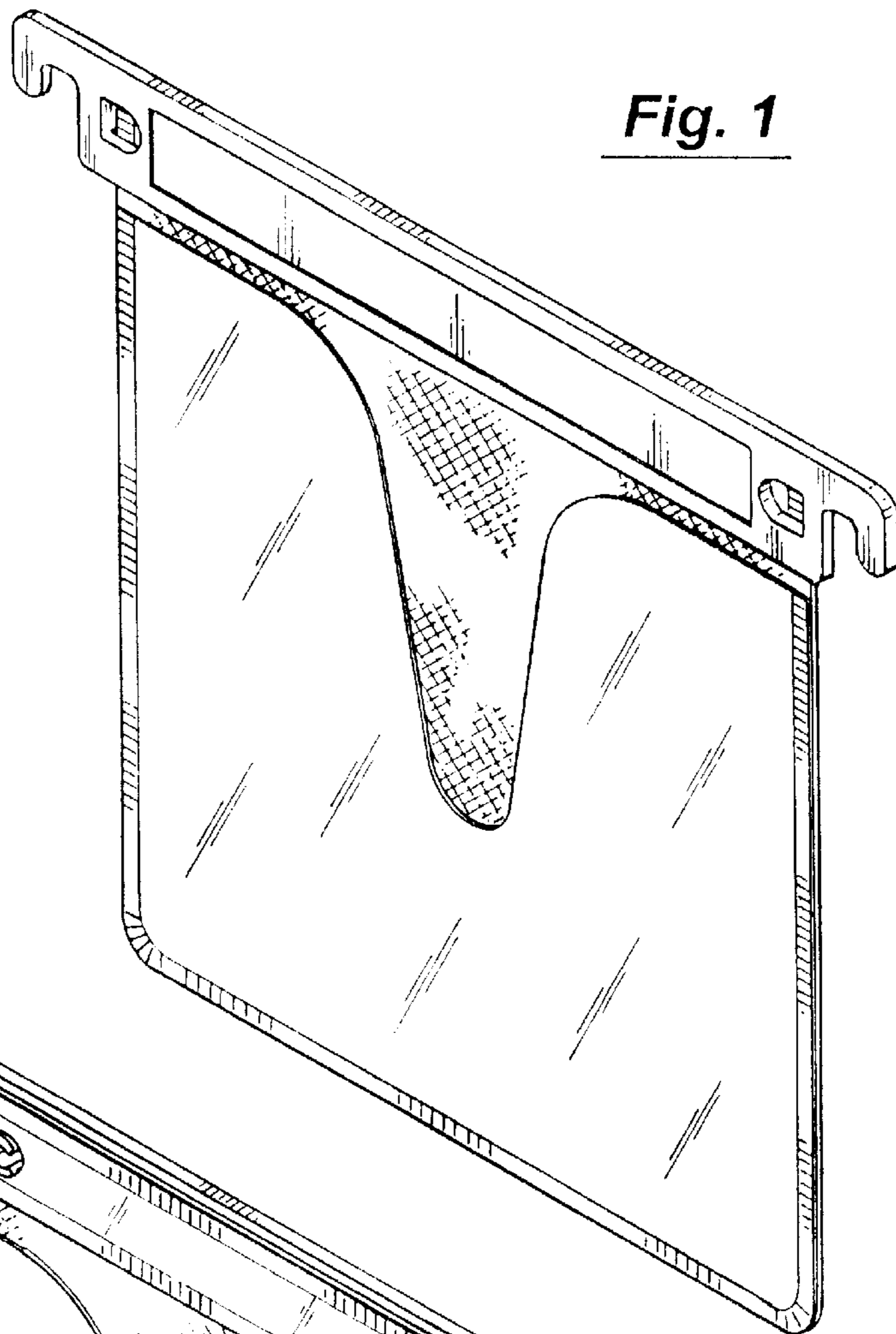


Fig. 1

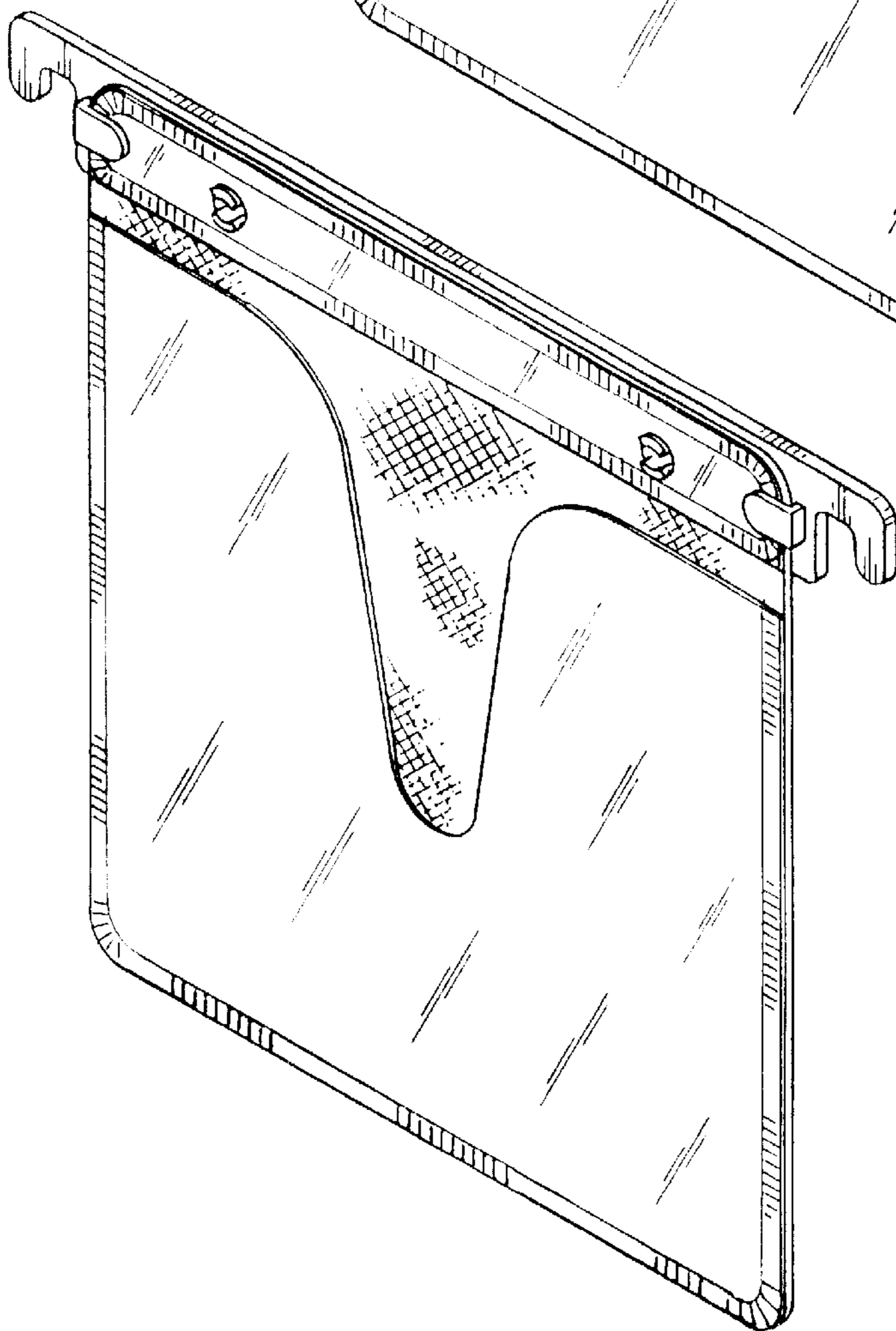


Fig. 2

Fig. 5

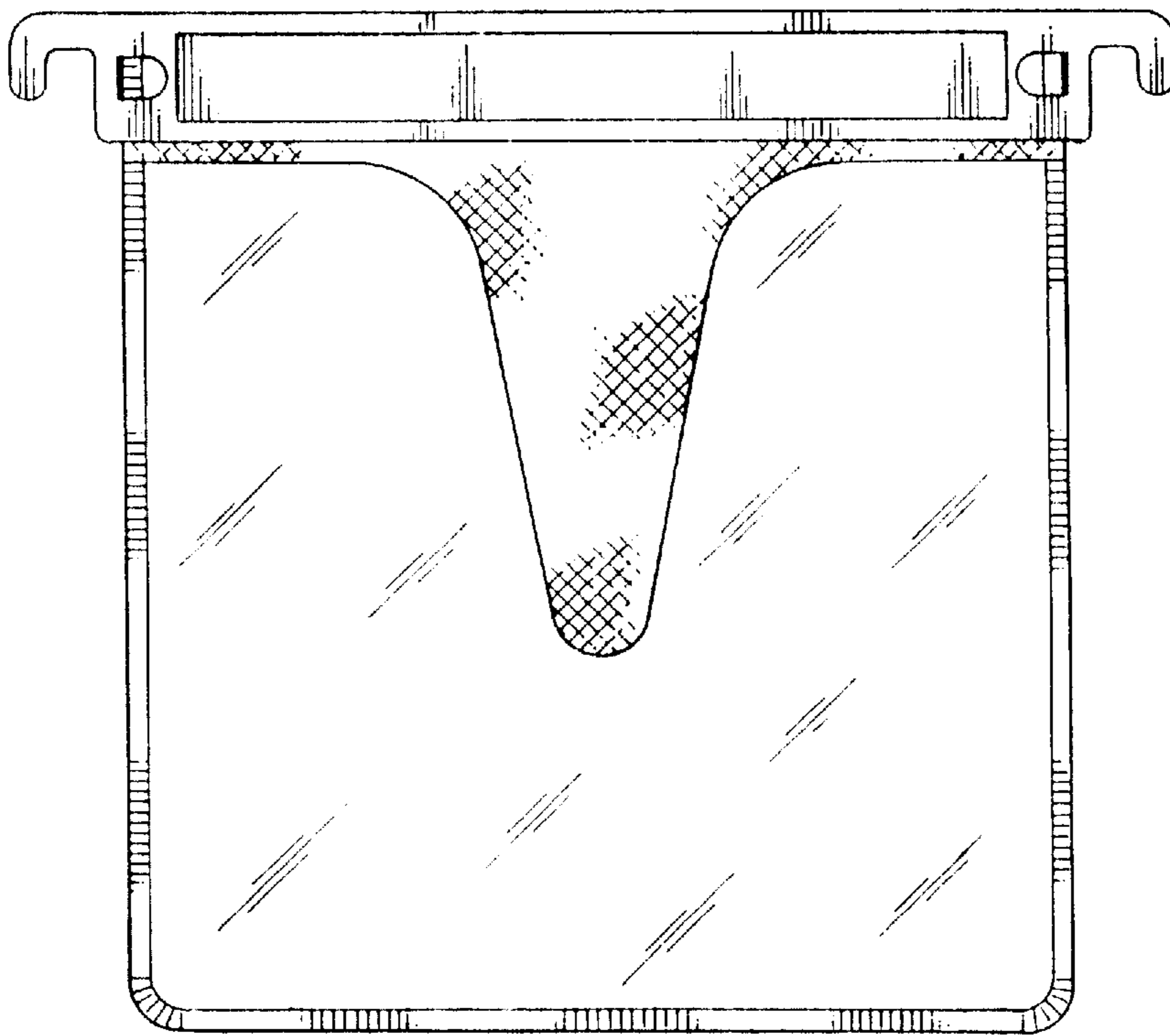
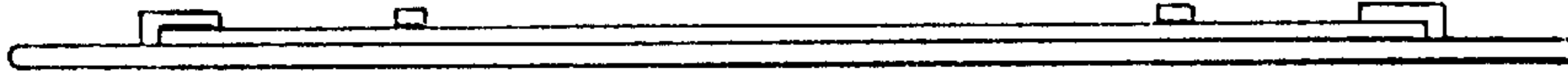


Fig. 3

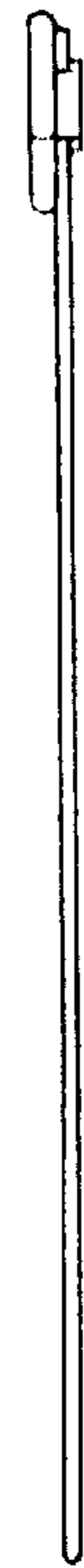


Fig. 4

Fig. 6

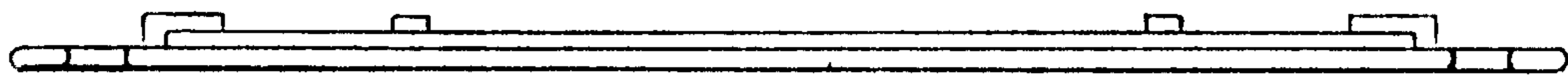
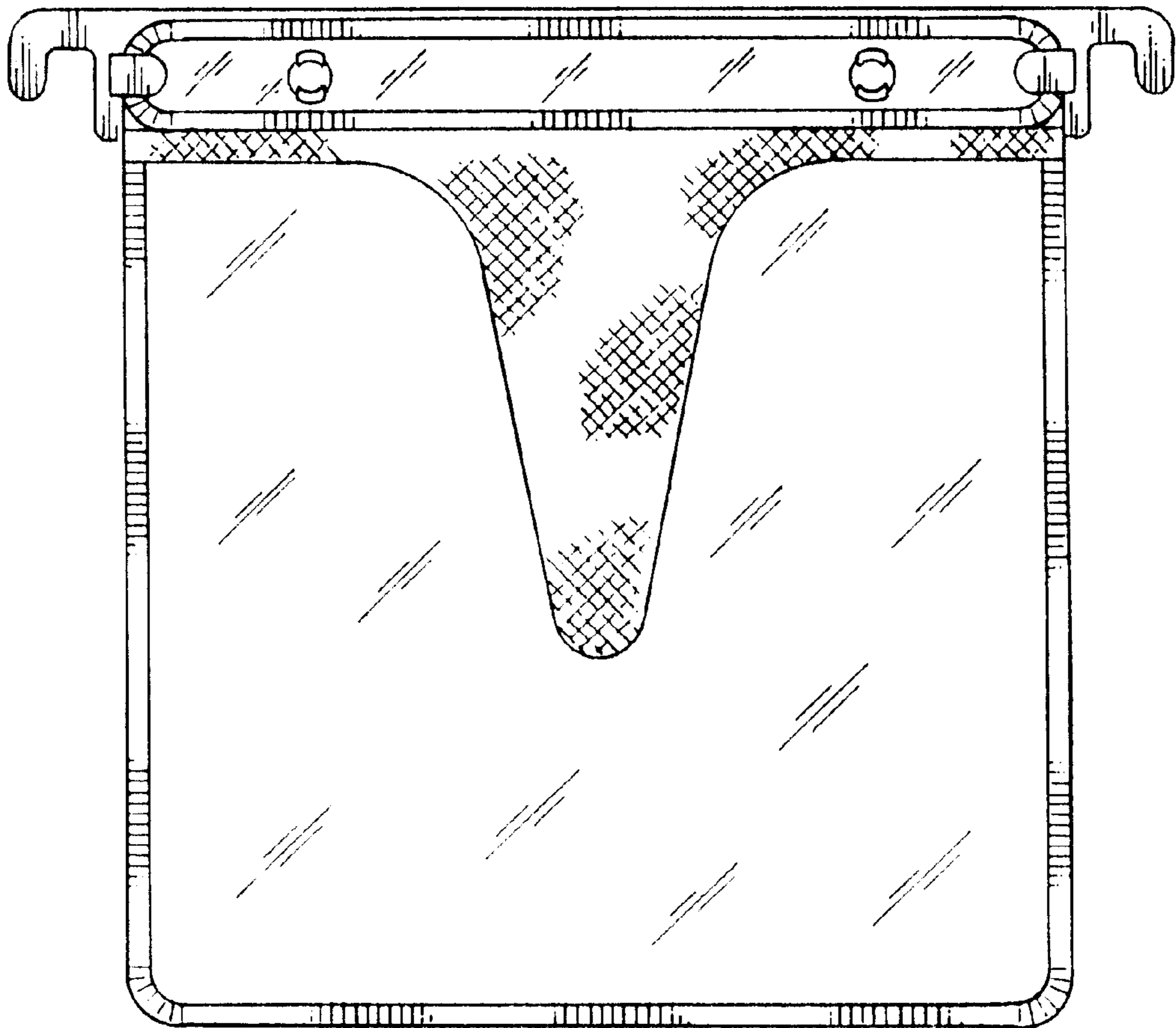


Fig. 7

Fig. 8

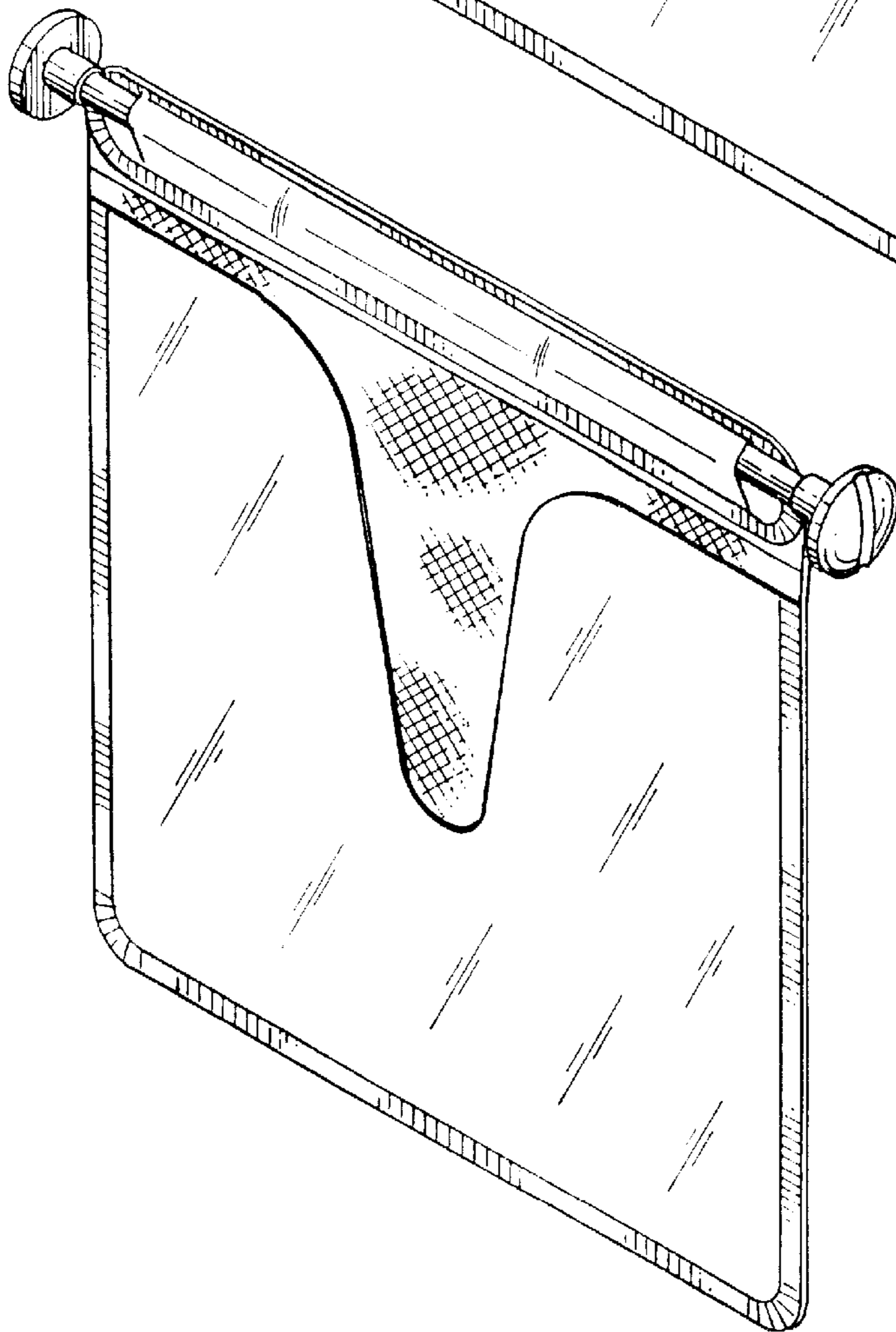
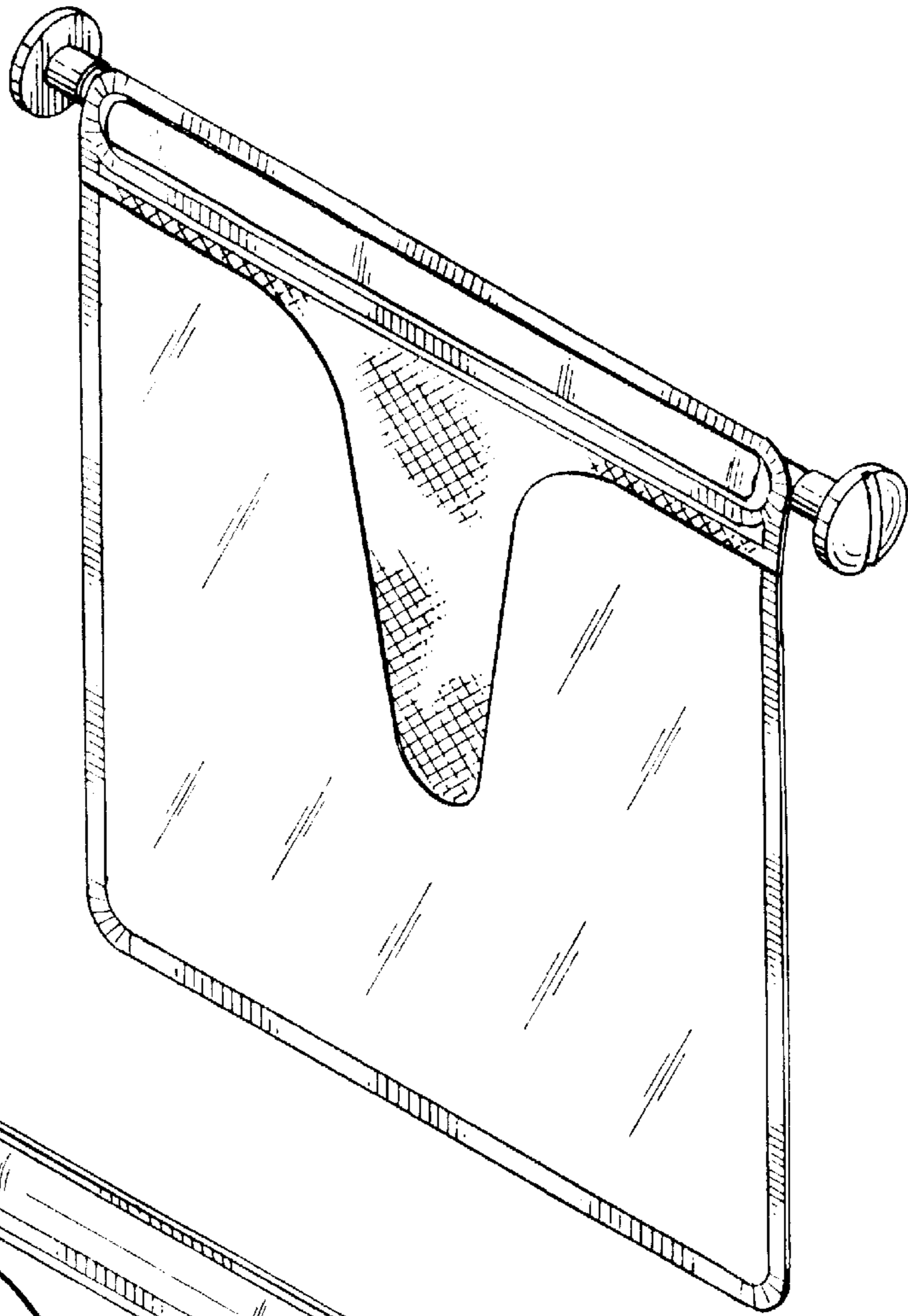


Fig. 9

Fig. 12

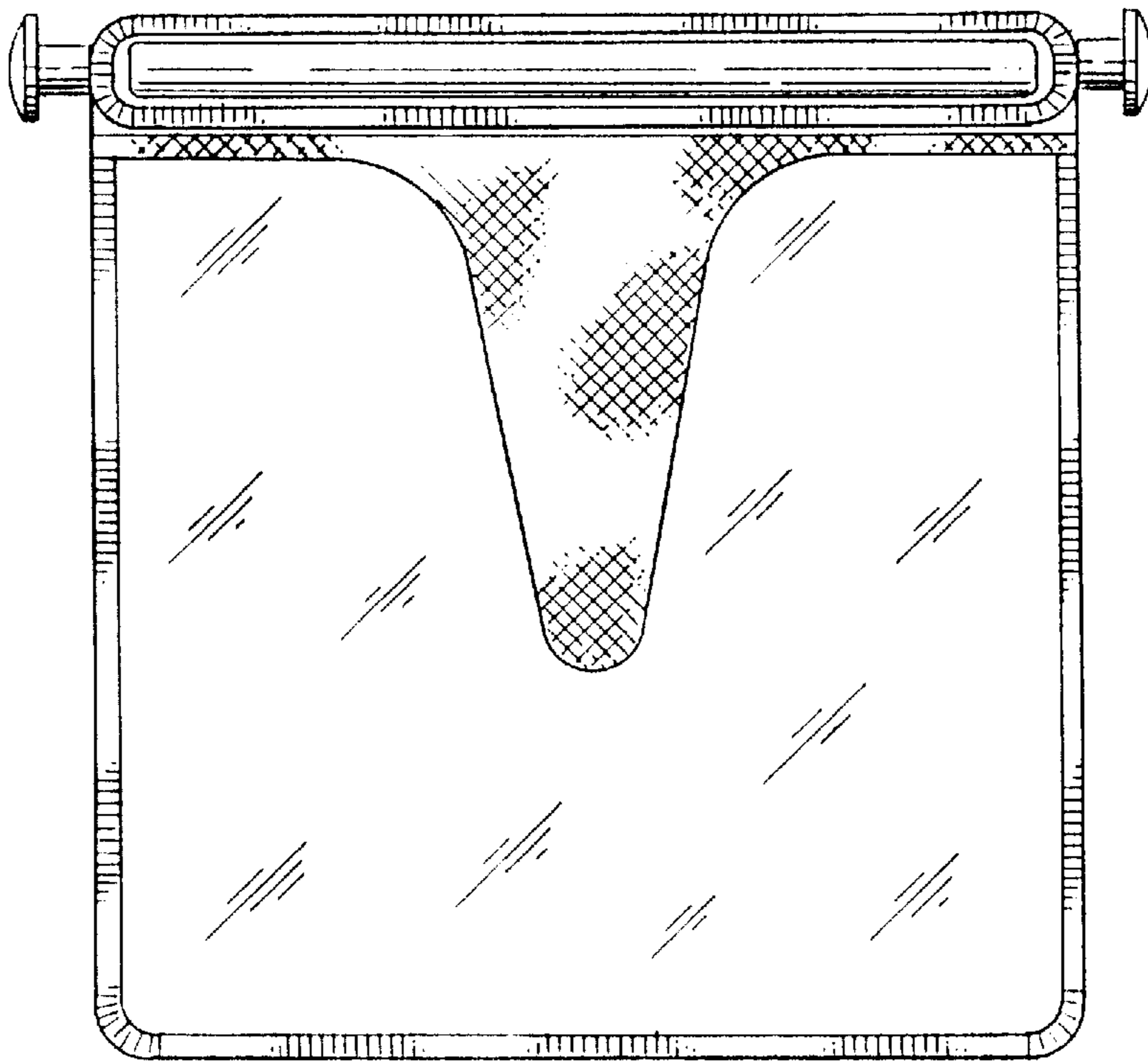
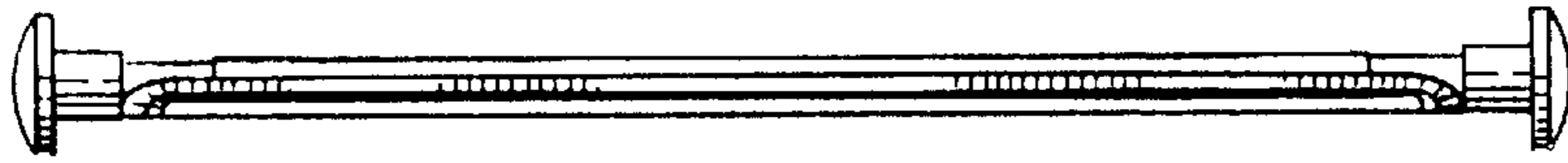


Fig. 10

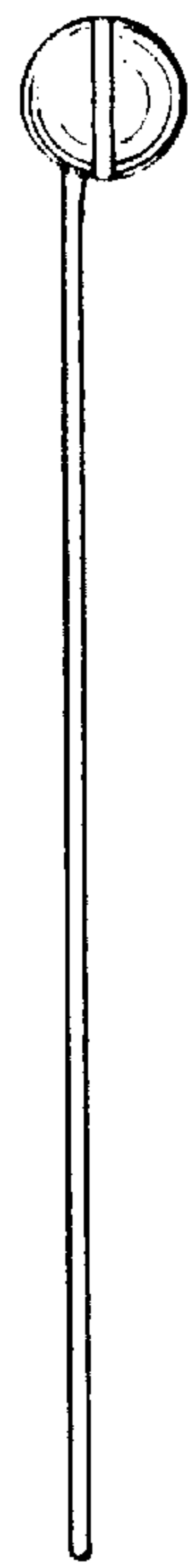


Fig. 11

Fig. 13

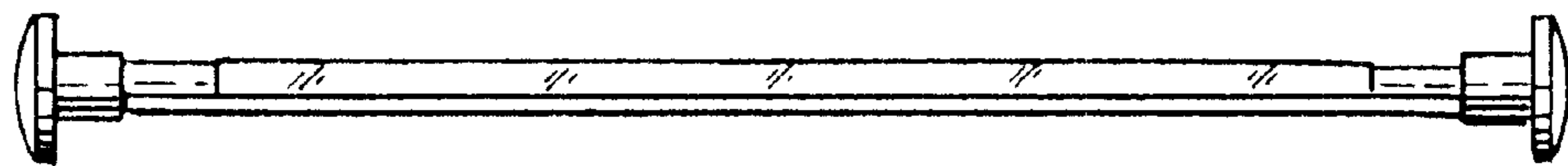
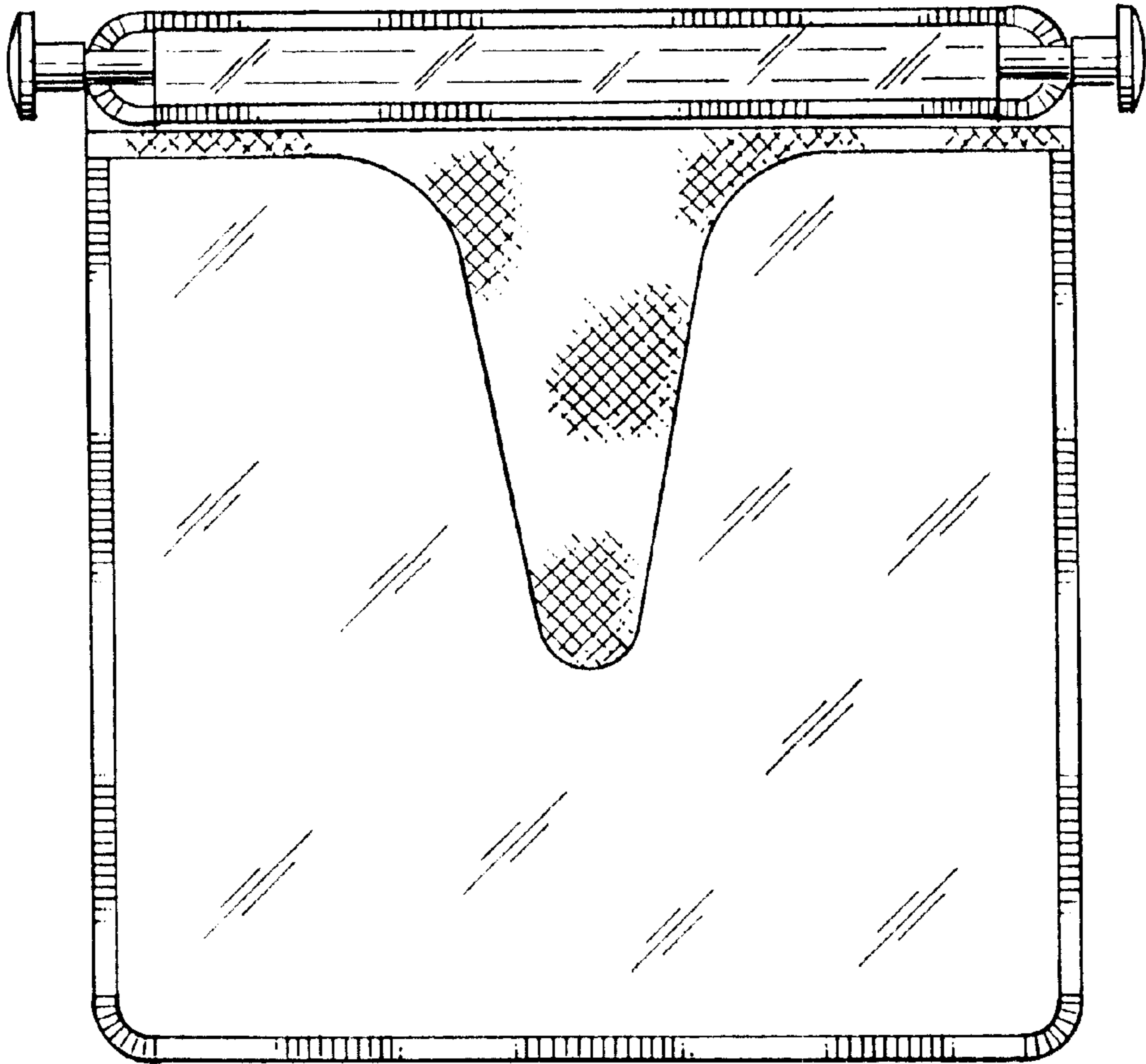


Fig. 14