



US00D419355S

United States Patent [19]
Simcox

[11] **Patent Number: Des. 419,355**

[45] **Date of Patent: ** Jan. 25, 2000**

[54] **TOOL RACK**

[76] Inventor: **Larry G. Simcox**, 13935 Marshallville St., NW., Canal Fulton, Ohio 44614-8526

[**] Term: **14 Years**

[21] Appl. No.: **29/104,946**

[22] Filed: **May 17, 1999**

[51] **LOC (7) Cl.** **08-08**

[52] **U.S. Cl.** **D6/571**

[58] **Field of Search** D6/552, 553, 567, D6/569, 571, 566; 211/13.1, 87-90, 60.1, 70.8, 181.1; 248/309.1, 302

[56] **References Cited**

U.S. PATENT DOCUMENTS

- D. 280,047 8/1985 Benedict D6/566
- D. 295,344 4/1988 Pryor et al. D6/566
- D. 340,827 11/1993 Hubbard D6/567

Primary Examiner—Brian N. Vinson
Attorney, Agent, or Firm—Renner, Kenner, Greive, Bobak, Taylor & Weber

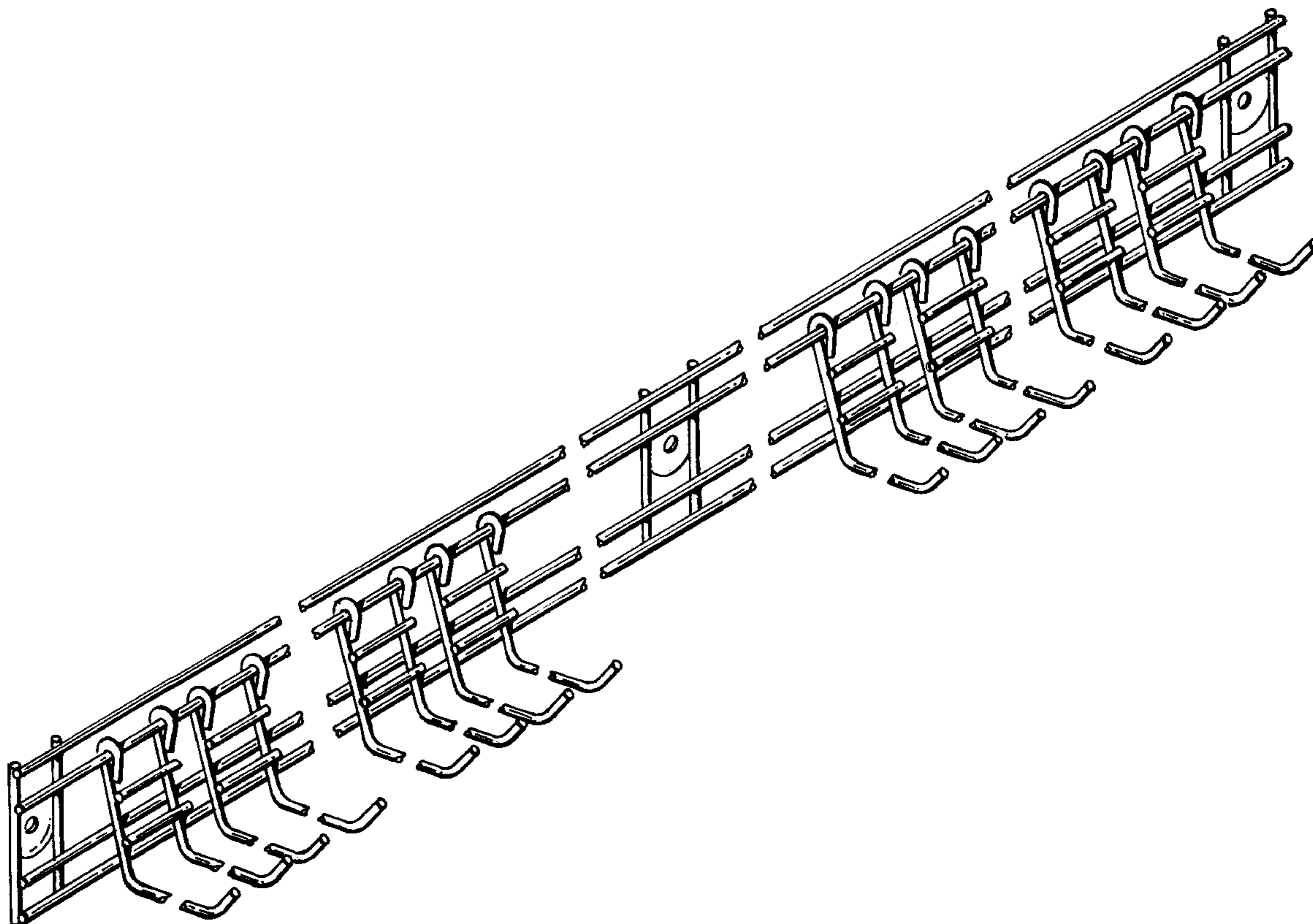
[57] **CLAIM**

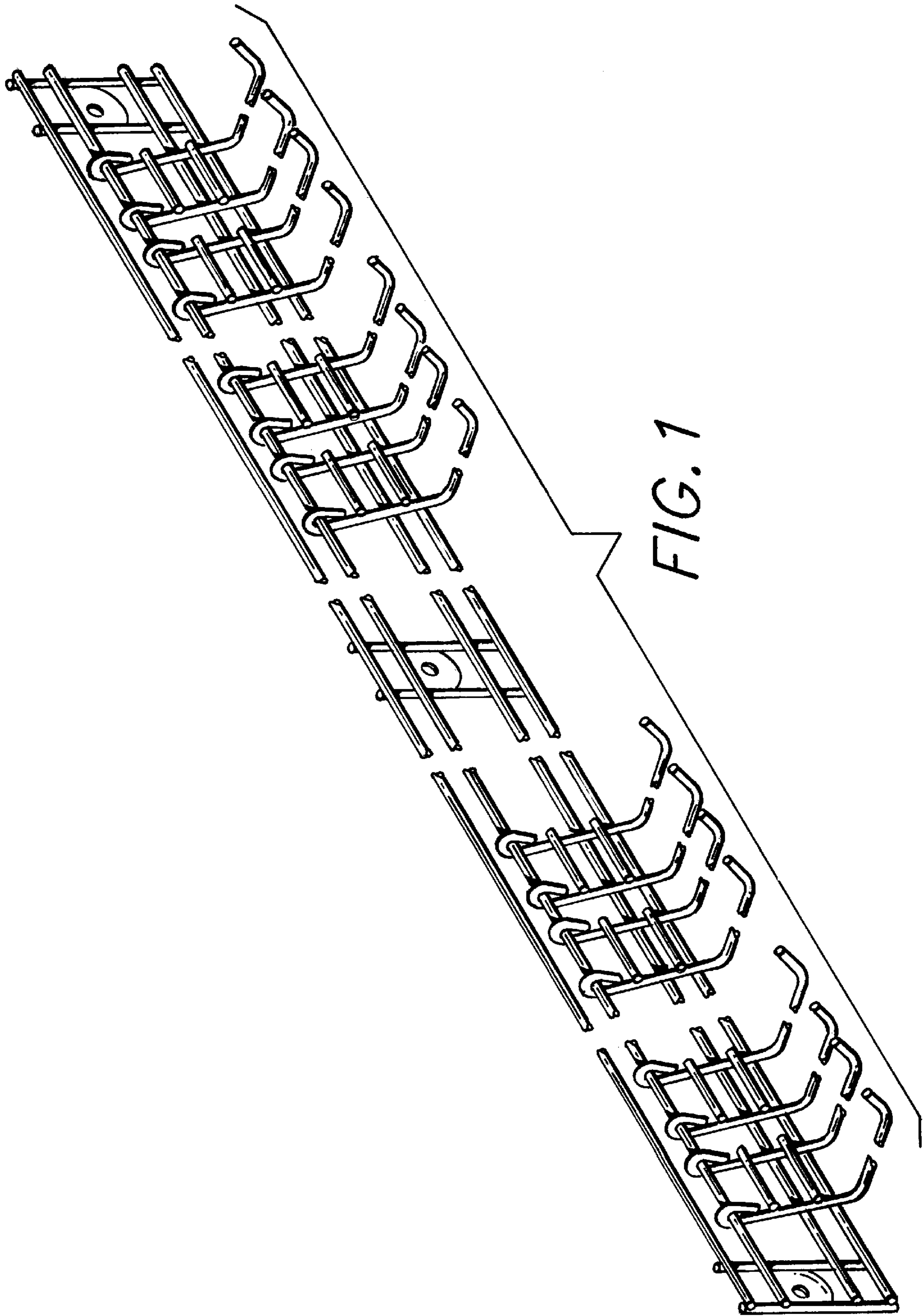
The ornamental design for a tool rack, as shown and described.

DESCRIPTION

FIG. 1 is a fragmented, top, front, left side perspective view of a tool rack showing my new design;
FIG. 2 is a fragmented top plan view thereof;
FIG. 3 is a fragmented front elevational view thereof;
FIG. 4 is a fragmented bottom plan view thereof;
FIG. 5 is a fragmented rear elevational view thereof; and
FIG. 6 is a fragmented right side elevational view thereof, the left side being a mirror image of FIG. 6.
The horizontal elements as shown broken-away or fragmented in the views to indicate indeterminate length.

1 Claim, 3 Drawing Sheets





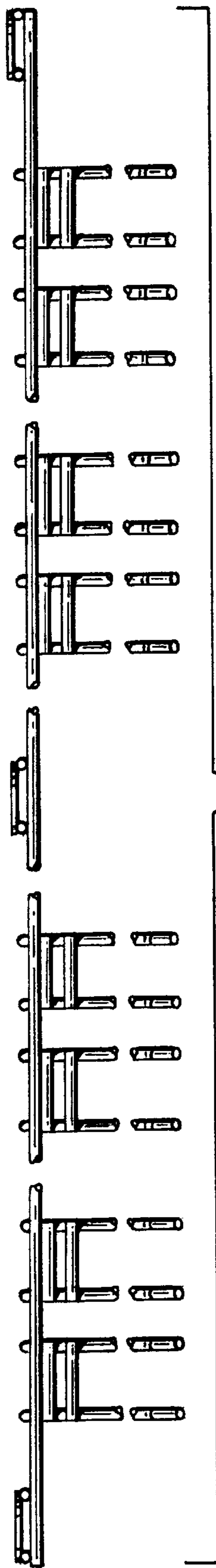


FIG. 2

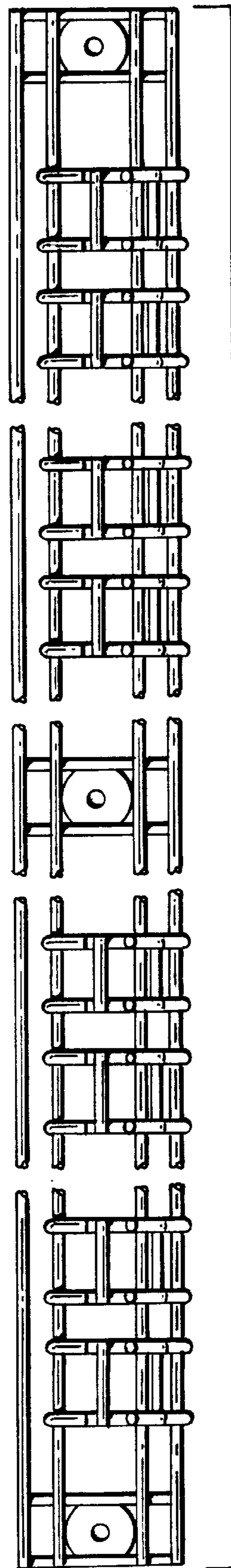


FIG. 3

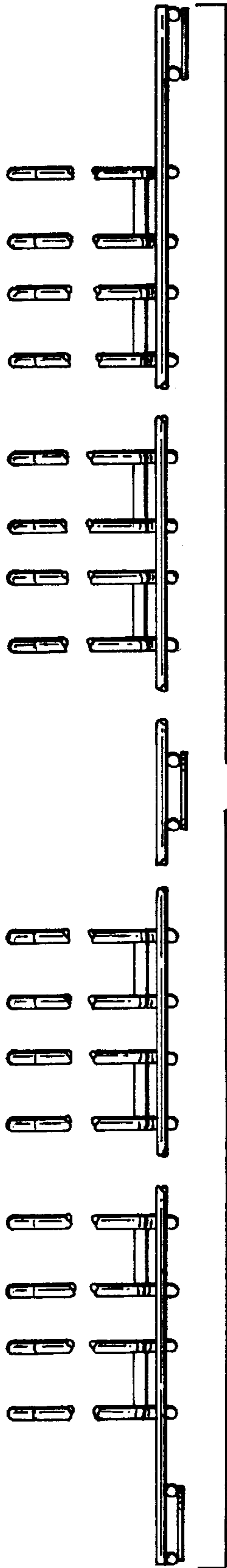


FIG. 4

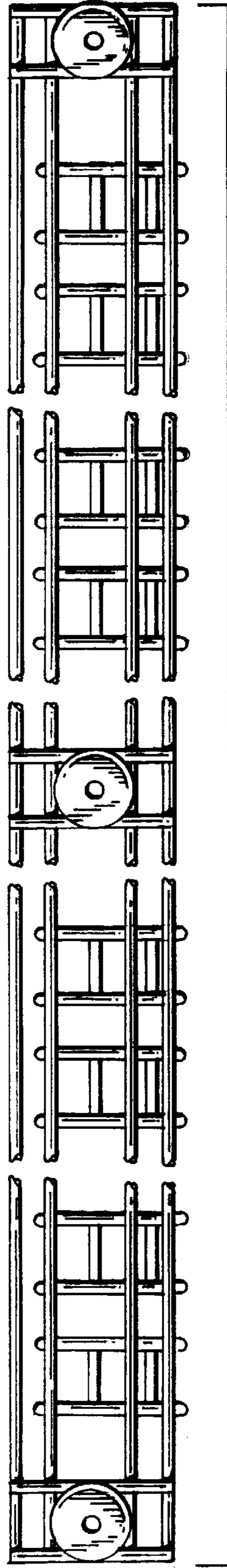


FIG. 5

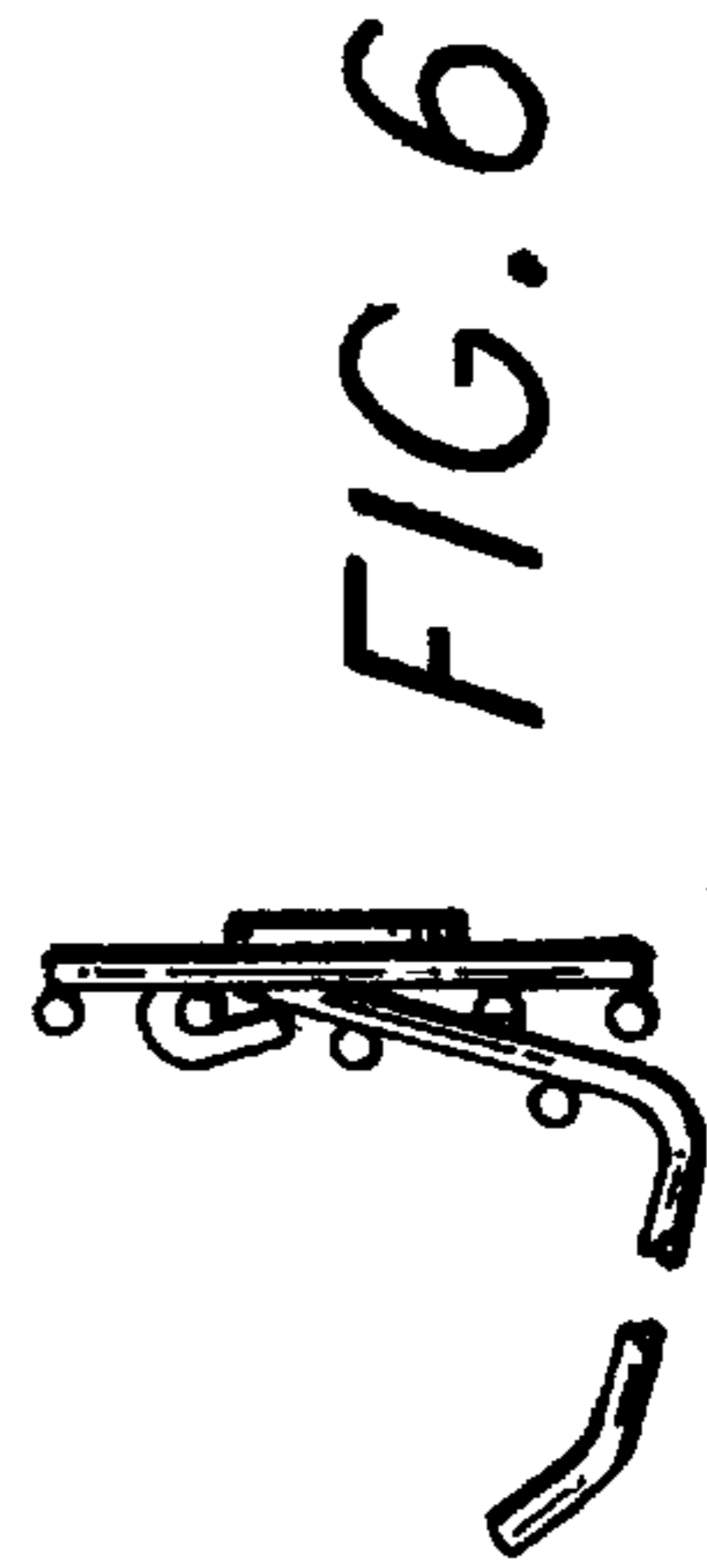


FIG. 6