



US00D419352S

United States Patent [19] Hampshire

[11] **Patent Number: Des. 419,352**

[45] **Date of Patent: ** Jan. 25, 2000**

[54] **SUCTION BASKET**

[75] Inventor: **James Hampshire**, Solon, Ohio

[73] Assignee: **InterDesign, Inc.**, Solon, Ohio

[**] Term: **14 Years**

[21] Appl. No.: **29/098,591**

[22] Filed: **Dec. 31, 1998**

[51] **LOC (7) Cl.** **07-07**

[52] **U.S. Cl.** **D6/553; D6/525; D3/304**

[58] **Field of Search** D6/524-535, 536-540, D6/553, 567, 574; 206/77.1, 557, 562, 563; 211/13.1, 60.1, 70.6, 70.7, 71, 74-75, 86-88, 90, 126.1, 134; 220/908; 248/176.1, 309.1, 907; D3/304, 315; D19/75, 86

[56] **References Cited**

U.S. PATENT DOCUMENTS

D. 083,439	2/1931	Gruendl	D6/524	X
D. 104,934	6/1937	Whited	D6/524	X
D. 332,543	1/1993	Crook et al.	D6/524	X
D. 332,679	1/1993	Hines	D6/567	X

D. 362,780	10/1995	Hampshire	D6/567
D. 388,993	1/1998	Hampshire	D6/567
4,530,479	7/1985	Chen	248/309.1

Primary Examiner—Brian N. Vinson
Attorney, Agent, or Firm—D. Peter Hochberg

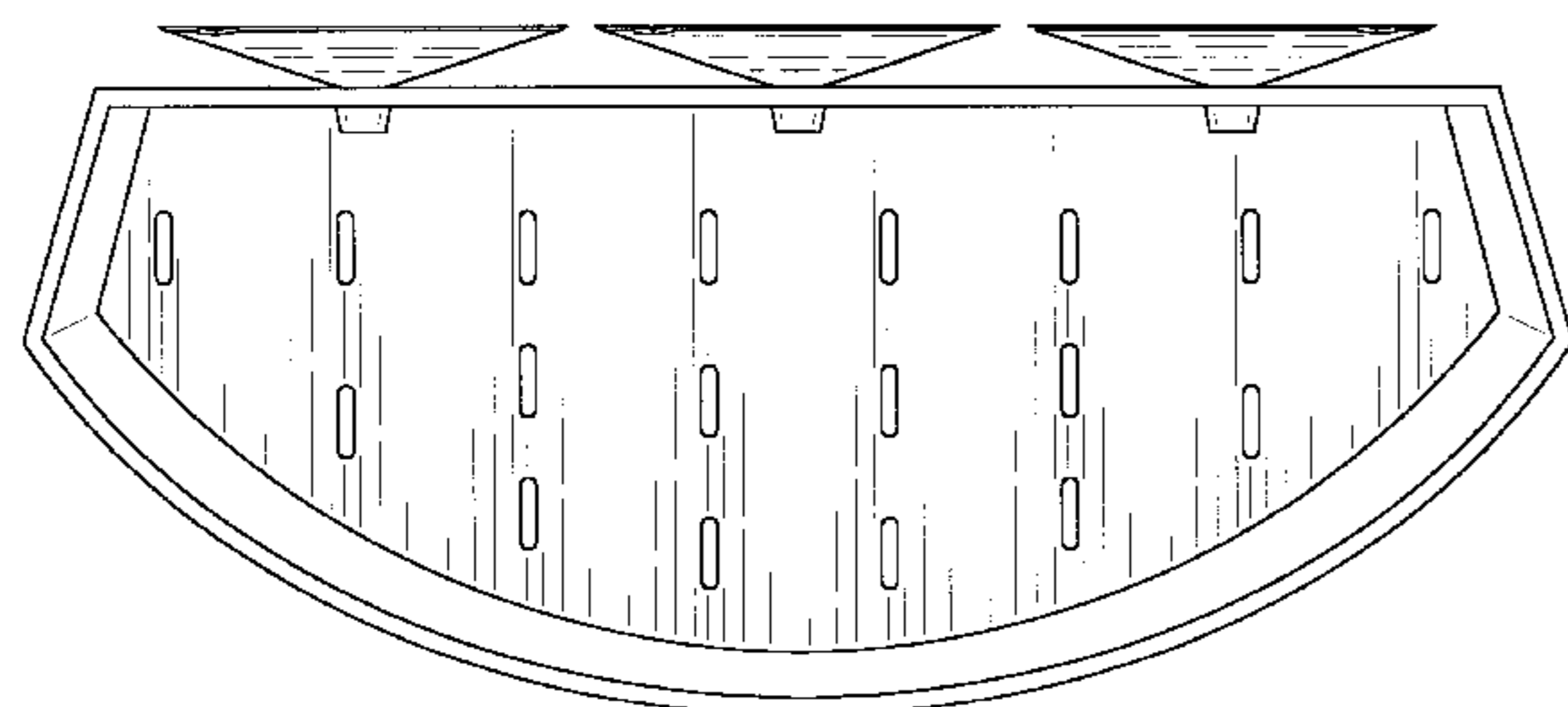
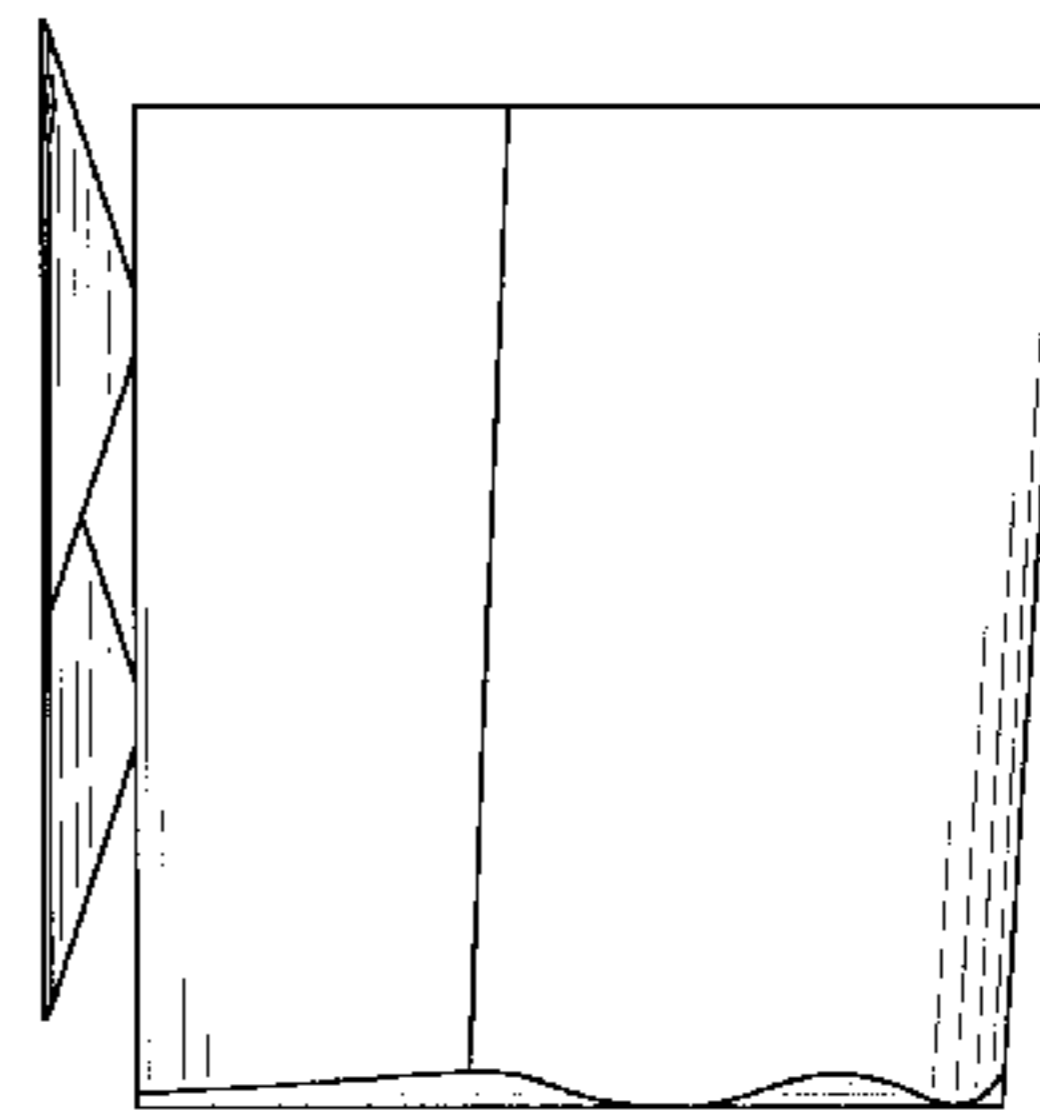
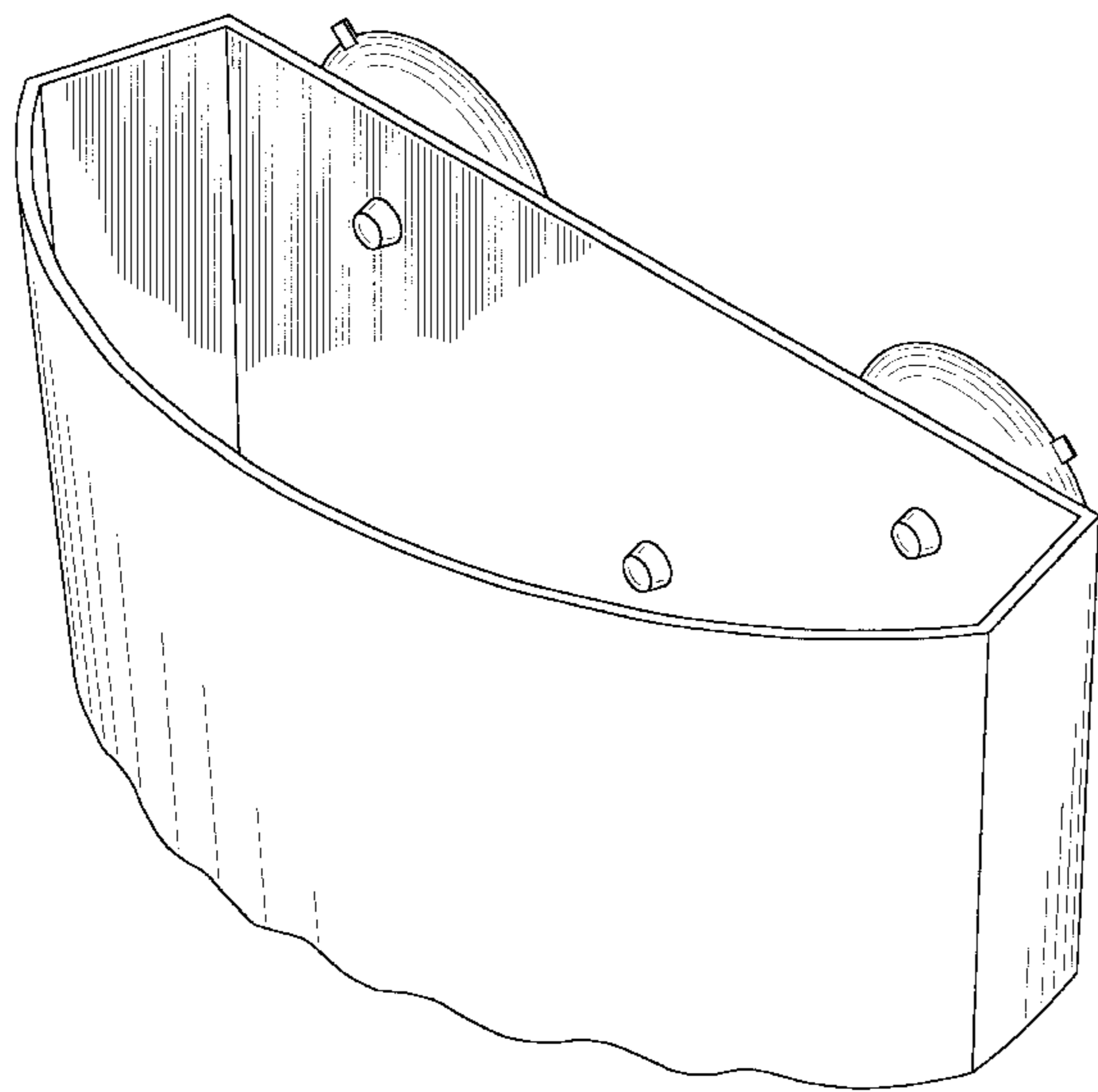
[57] CLAIM

The ornamental design for a suction basket, as shown and described.

DESCRIPTION

FIG. 1 is a perspective view of the suction basket according to the invention;
 FIG. 2 is a top view of the suction basket as shown in FIG. 1;
 FIG. 3 is a front view of the suction basket as shown in FIG. 1;
 FIG. 4 is a back view of the suction basket as shown in FIG. 1;
 FIG. 5 is a bottom view of the suction basket as shown in FIG. 1; and,
 FIG. 6 is a side view of the suction basket as shown in FIG. 1.

1 Claim, 4 Drawing Sheets



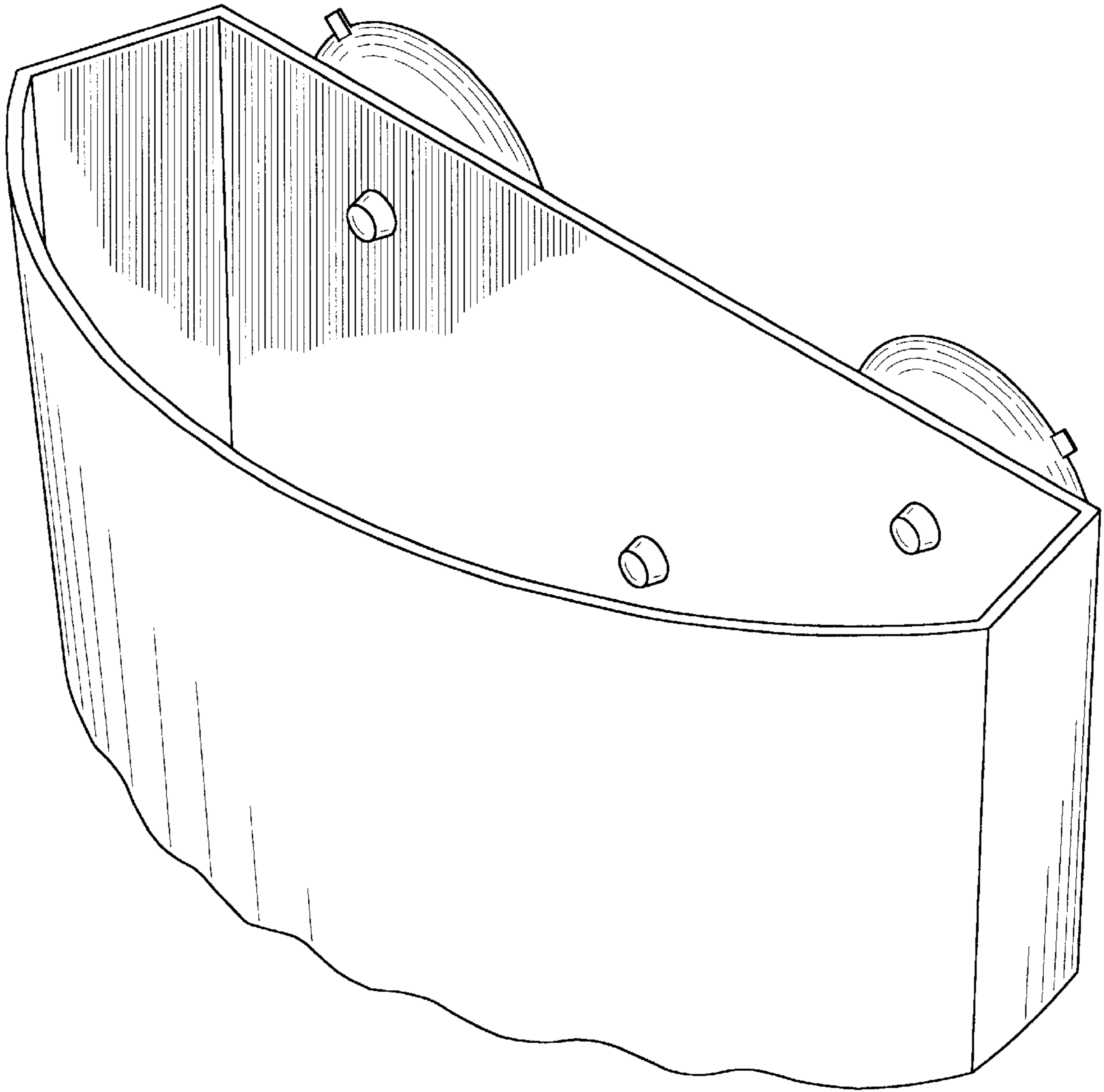


FIG-1

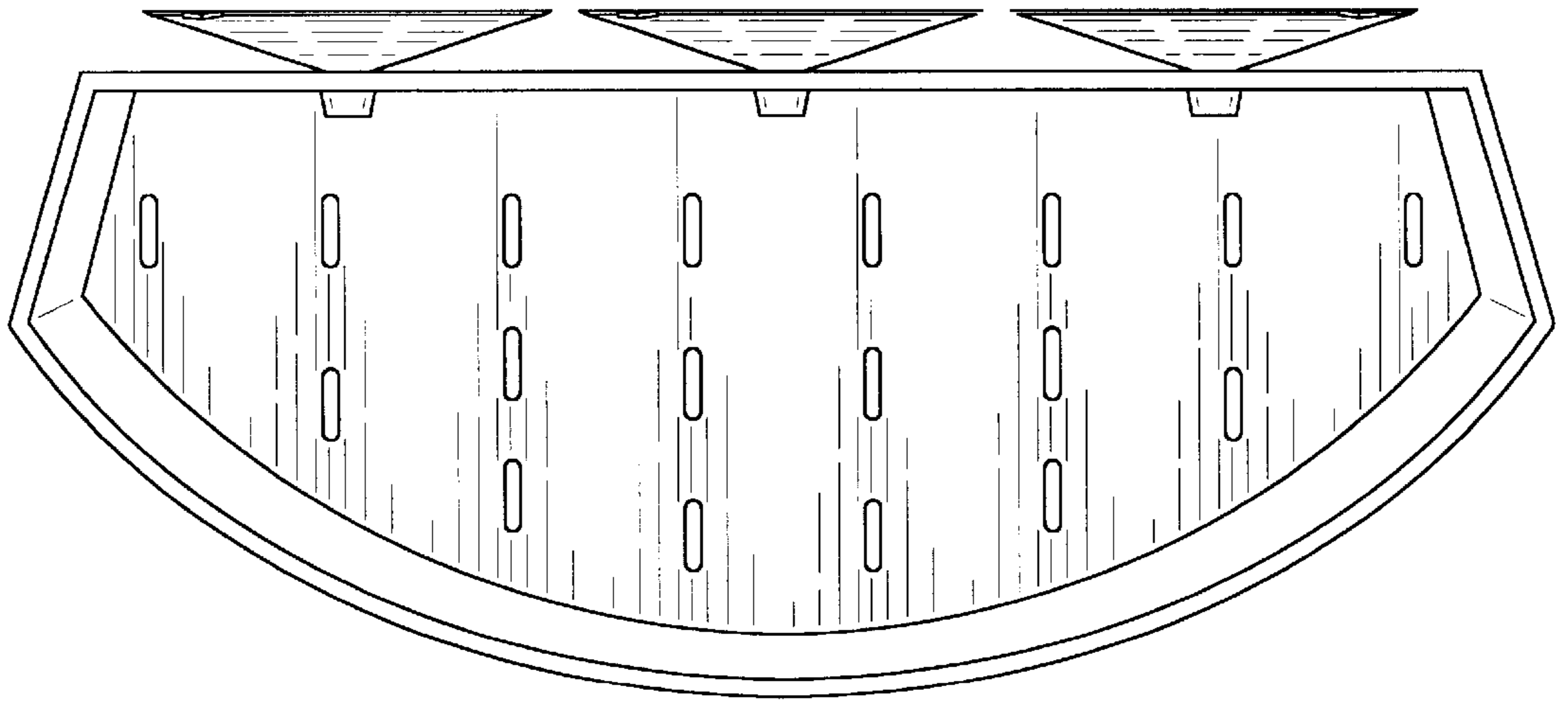


FIG-2

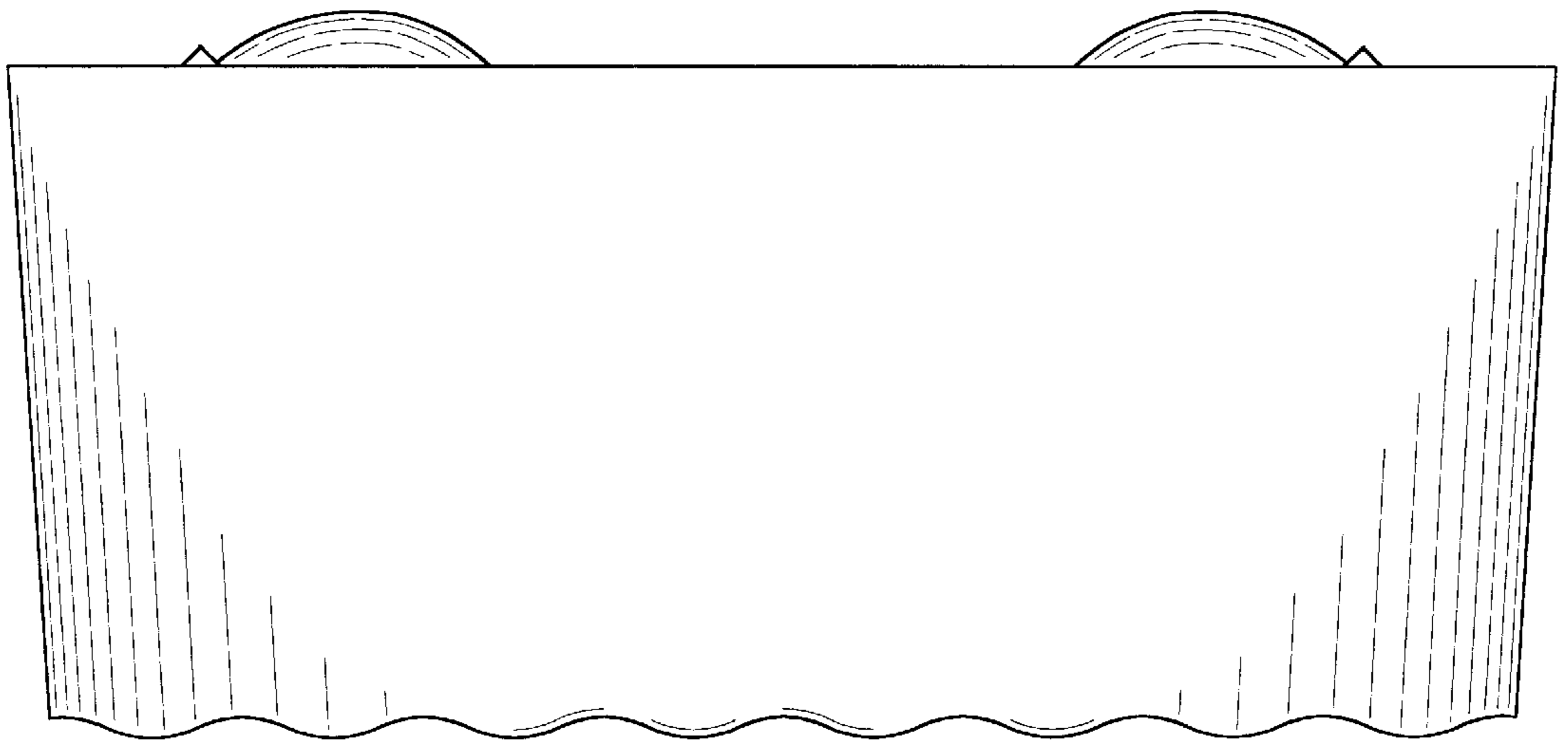


FIG-3

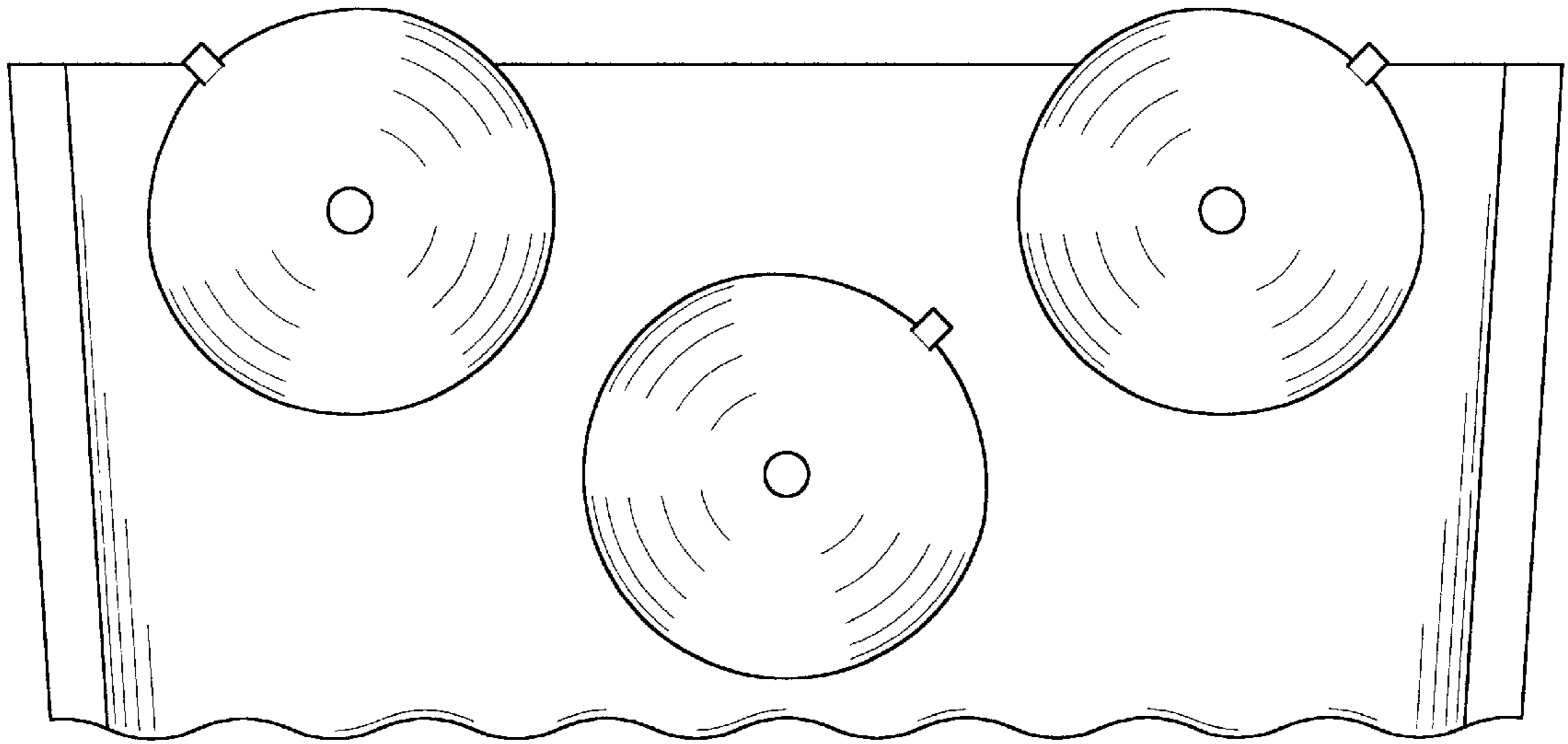


FIG-4

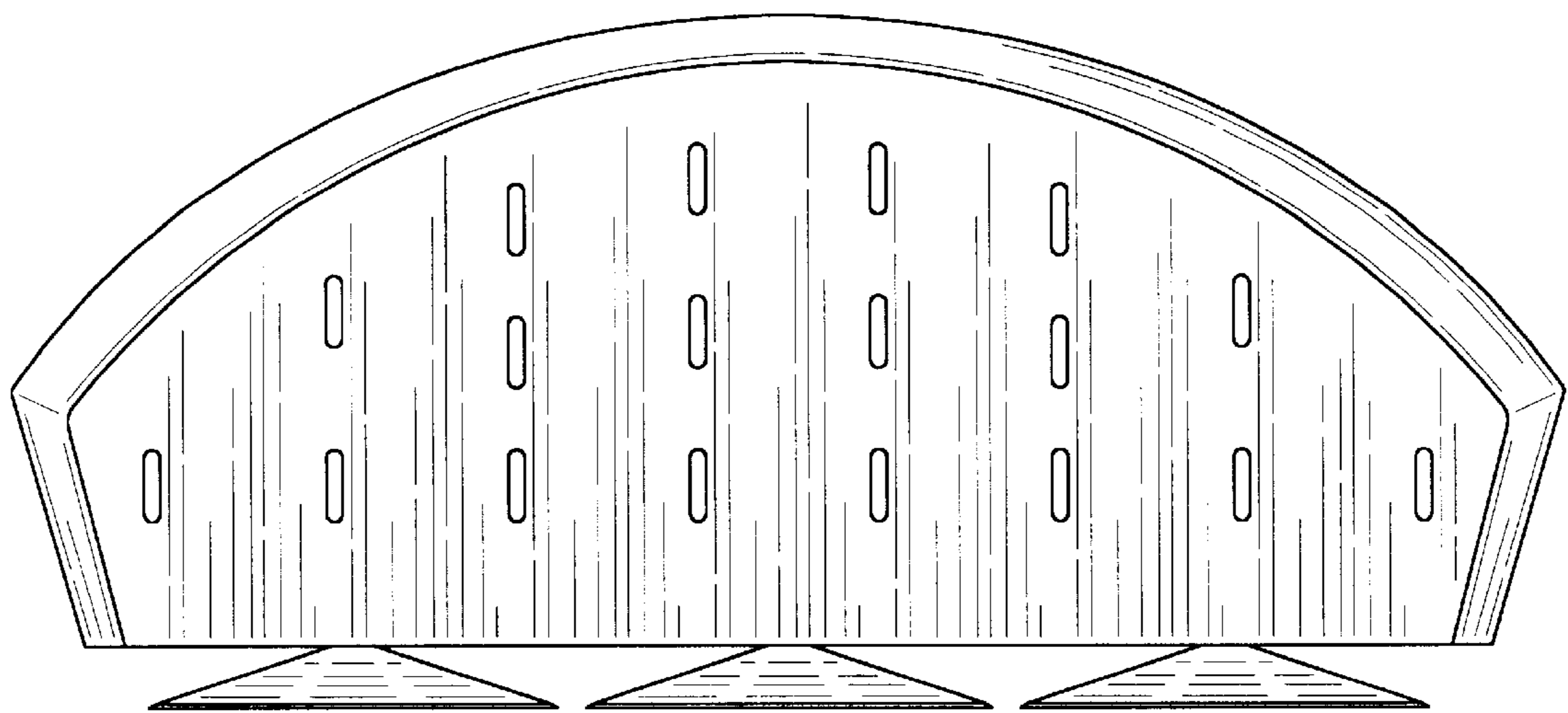


FIG-5

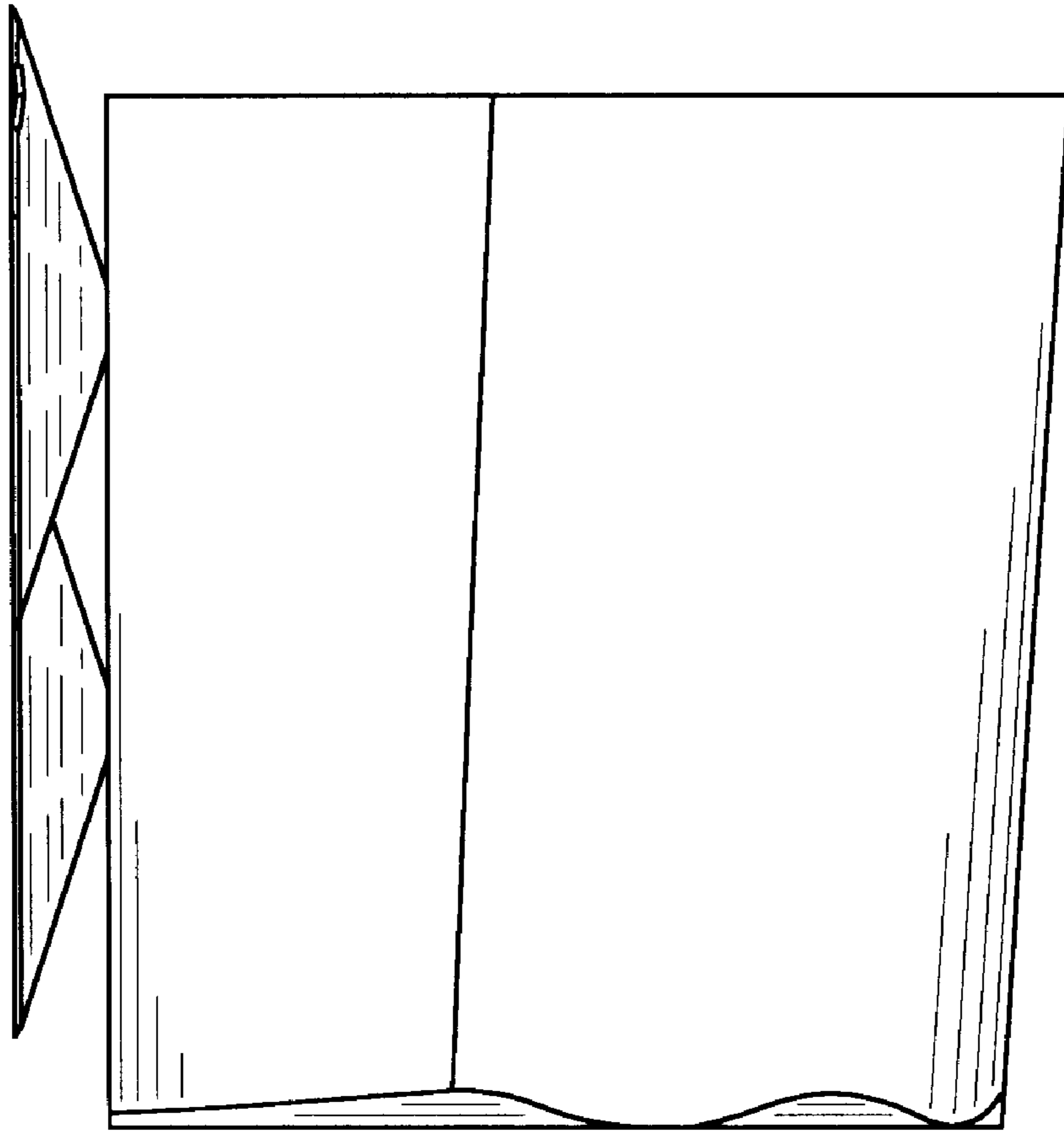


FIG-6