



US00D419351S

United States Patent [19]

[11] Patent Number: Des. 419,351

Wenger et al.

[45] Date of Patent: ** Jan. 25, 2000

[54] FOLDING CLOSET

[76] Inventors: Norbert Wenger; Cyndy M. Wenger, both of 8405 NW. 111th, Oklahoma City, Okla. 73162

[**] Term: 14 Years

[21] Appl. No.: 29/083,677

[22] Filed: Feb. 16, 1998

[51] LOC (7) Cl. 08-08

[52] U.S. Cl. D6/553

[58] Field of Search D6/512, 553, 555, D6/574, 567; 211/86.01, 88.02; 312/114, 245; D8/330, 336

[56] References Cited

U.S. PATENT DOCUMENTS

D. 95,043	4/1935	Kent	D6/574
D. 199,569	11/1964	Bodenbach	D6/555
D. 244,072	4/1977	Schaecher	D6/555
D. 314,486	2/1991	Day	D6/555

Primary Examiner—Kay H. Chin
Attorney, Agent, or Firm—Crowe & Dunlevy

[57] CLAIM

The ornamental design for a folding closet, as shown and described.

DESCRIPTION

FIG. 1 is a perspective view of a folding closet showing my new design in its folded configuration;

FIG. 2 is another perspective view thereof in its open configuration;

FIG. 3 is a front elevational view thereof in the folded configuration;

FIG. 4 is a rear elevational view thereof in the folded configuration;

FIG. 5 is an elevational view of one end thereof in the folded configuration;

FIG. 6 is an elevational view of the other end thereof in the folded configuration;

FIG. 7 is a top plan view thereof in the folded configuration;

FIG. 8 is a bottom plan view thereof in the folded configuration;

FIG. 9 is a front elevational view thereof in the open configuration;

FIG. 10 is a rear elevational view thereof in the open configuration;

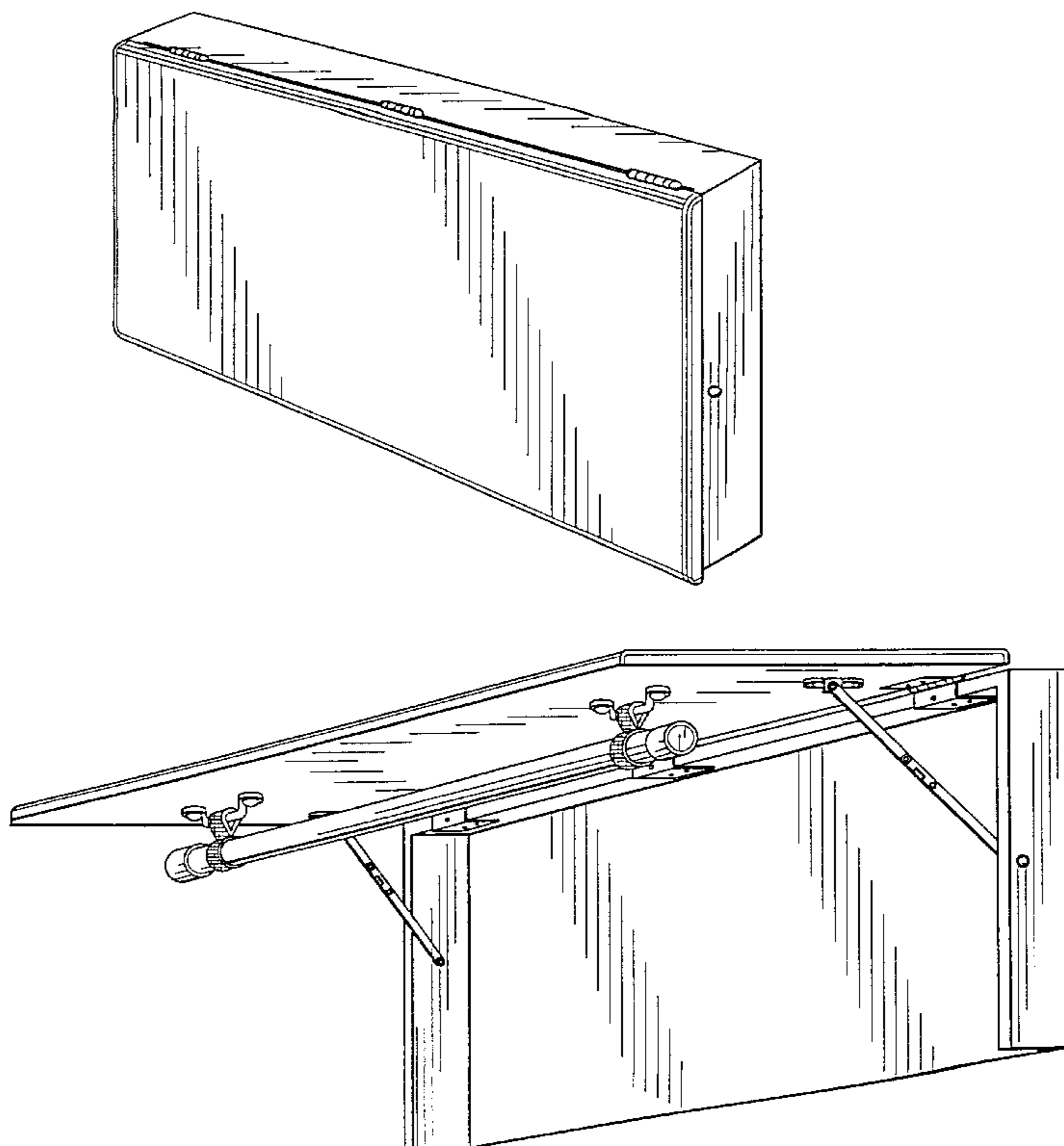
FIG. 11 is an elevational view of one end thereof in the open configuration;

FIG. 12 is an elevational view of the other end thereof in the open configuration;

FIG. 13 is a top plan view thereof in the open configuration; and,

FIG. 14 is a bottom plan view thereof in the open configuration.

1 Claim, 4 Drawing Sheets



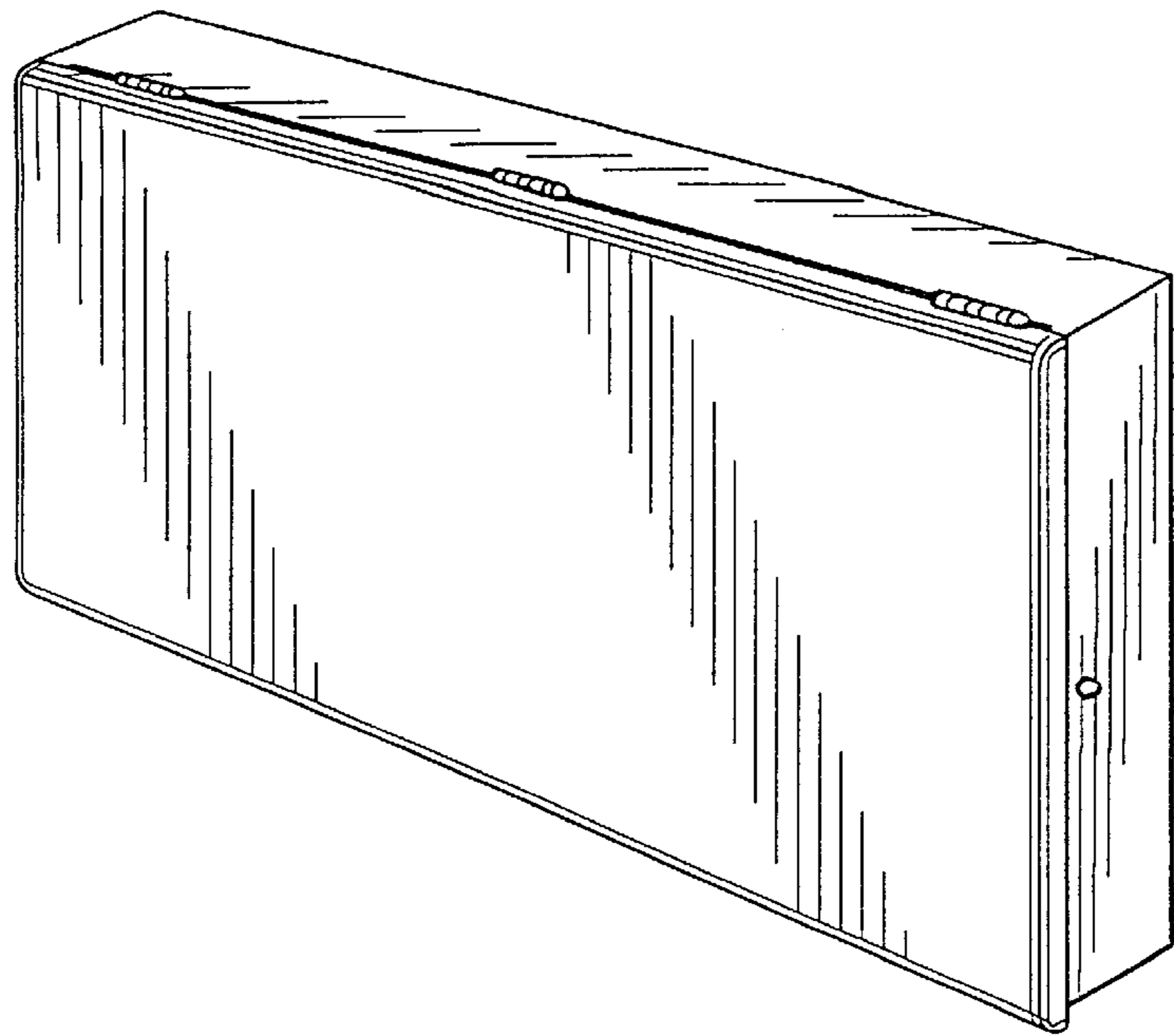


FIG. 1

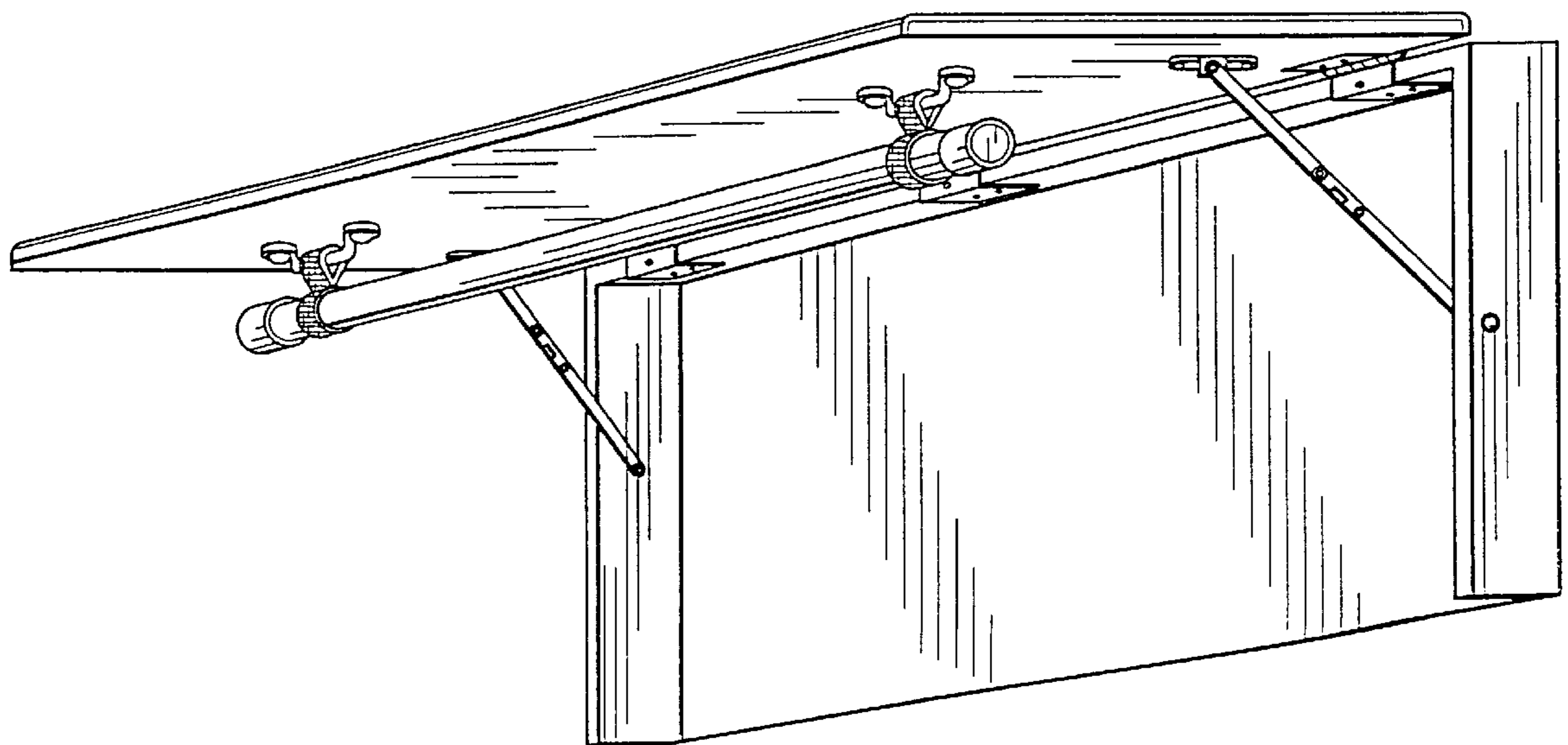


FIG. 2

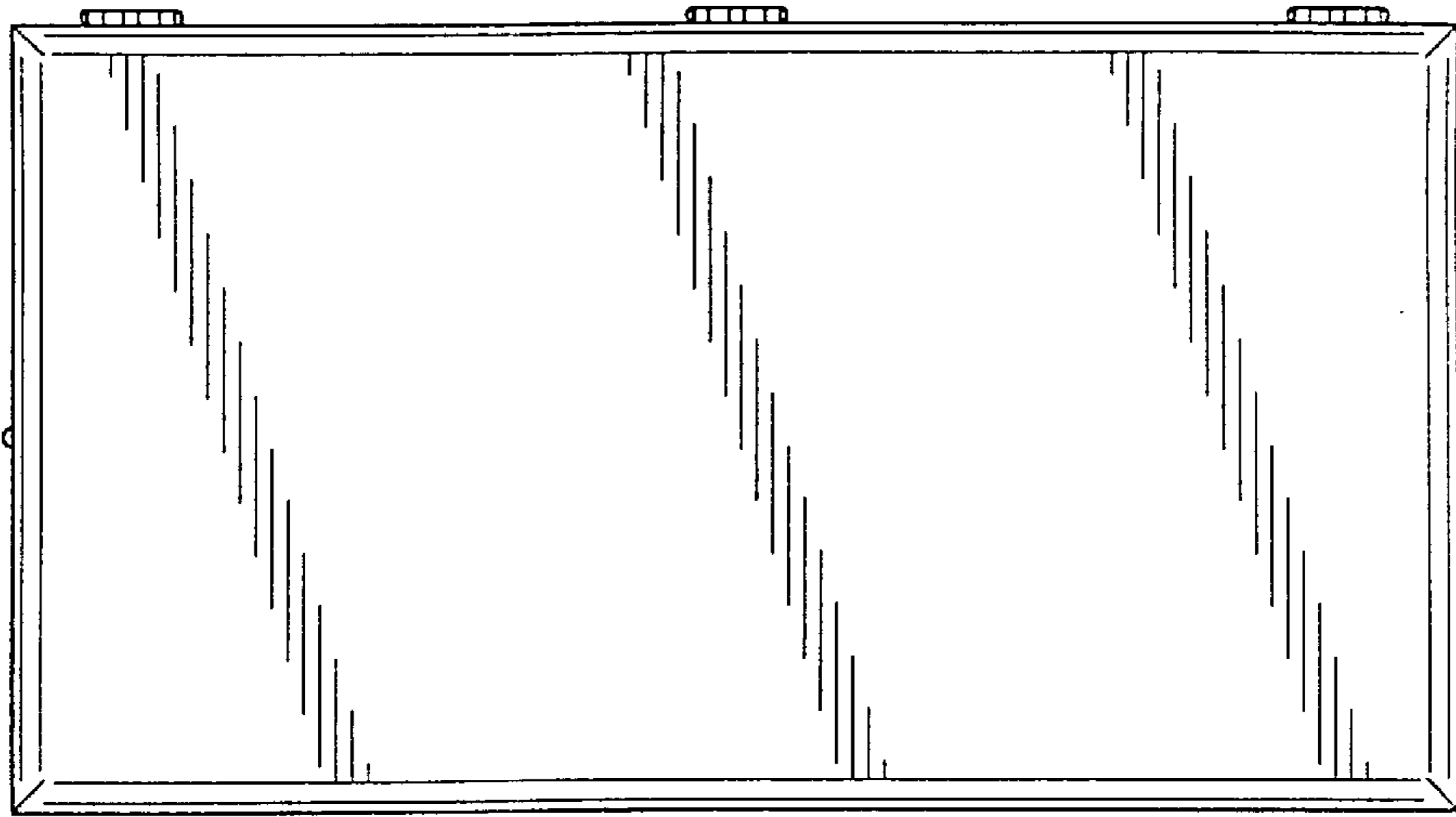


FIG. 3

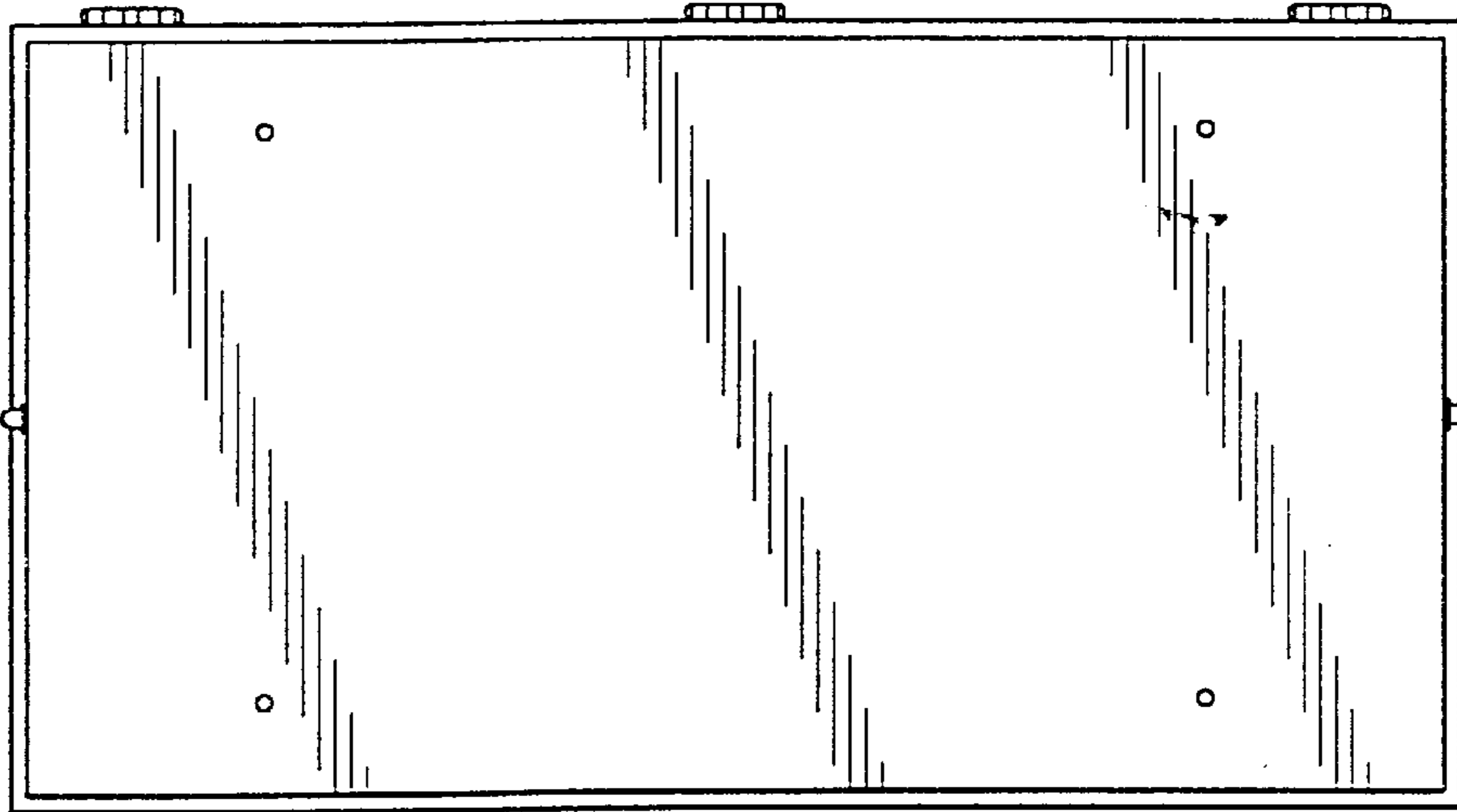


FIG. 4

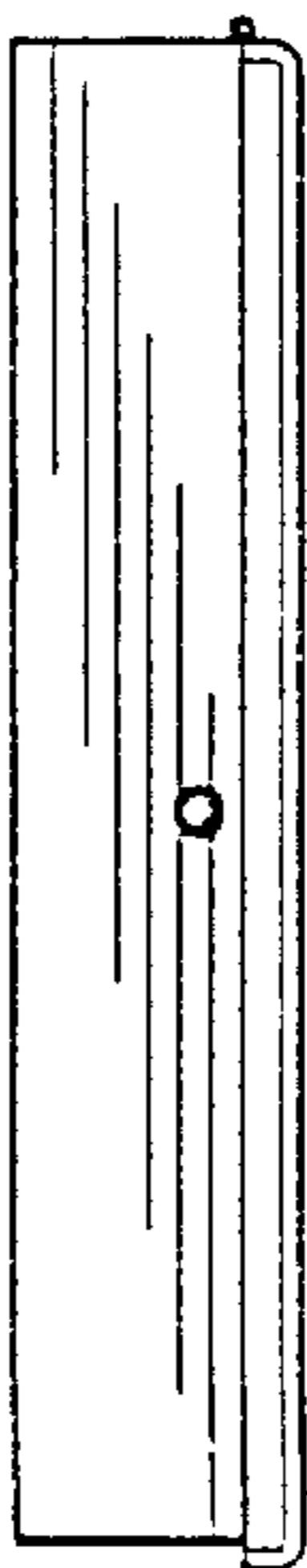
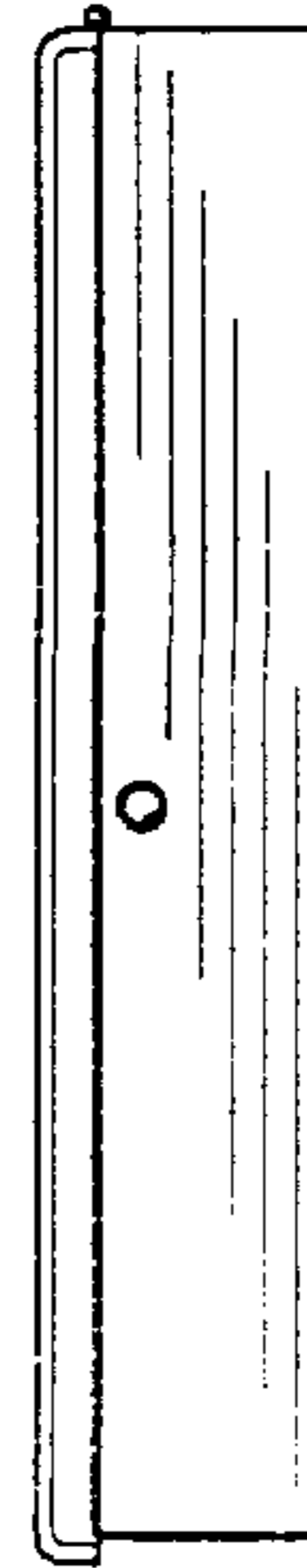


FIG. 5

FIG. 6



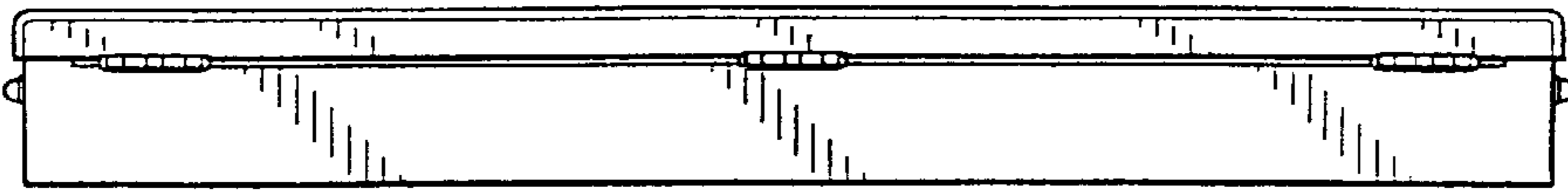


FIG. 7

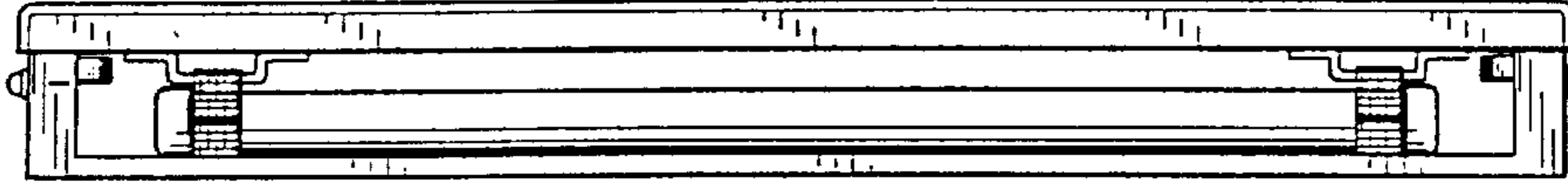


FIG. 8

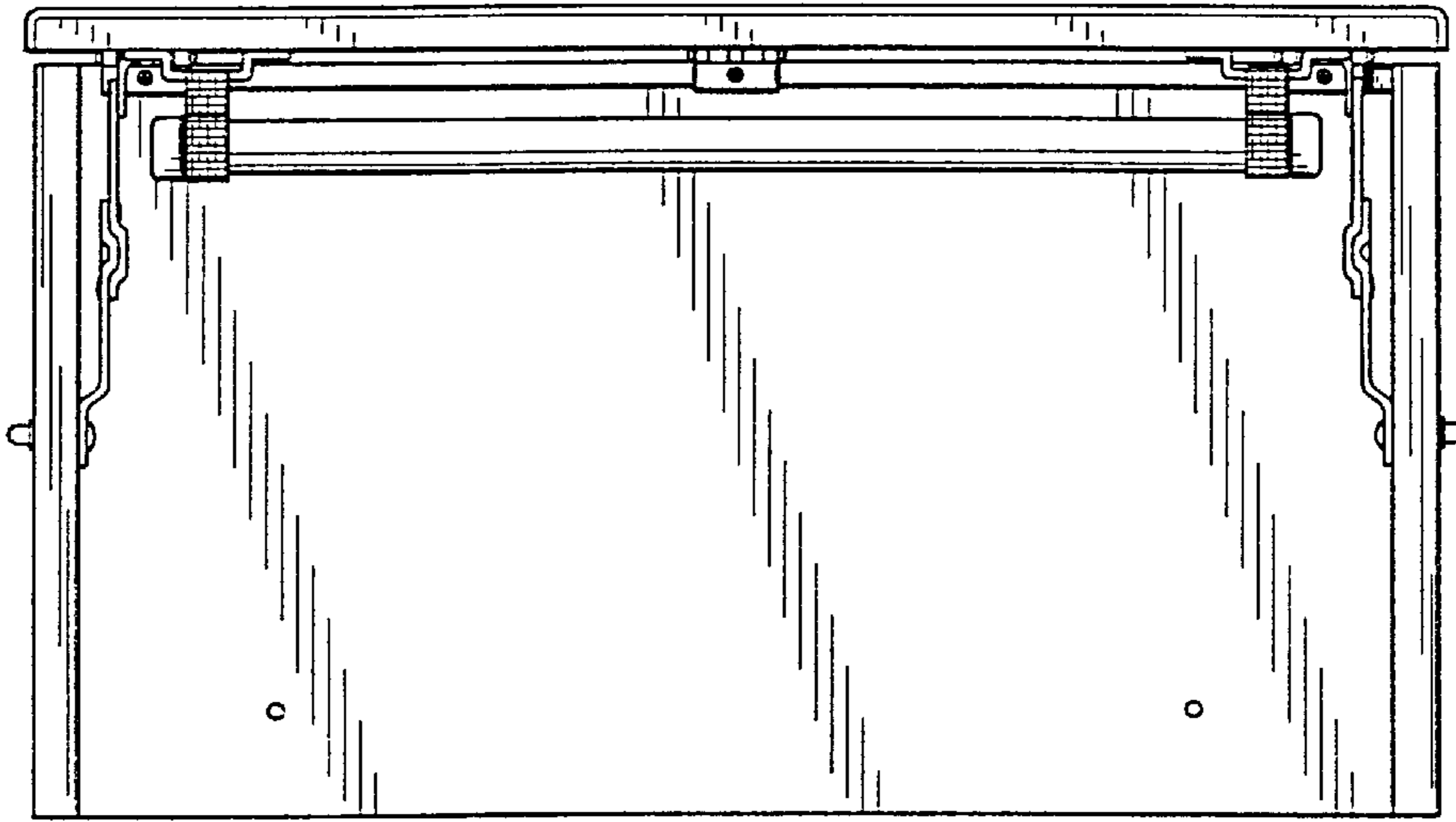


FIG. 9

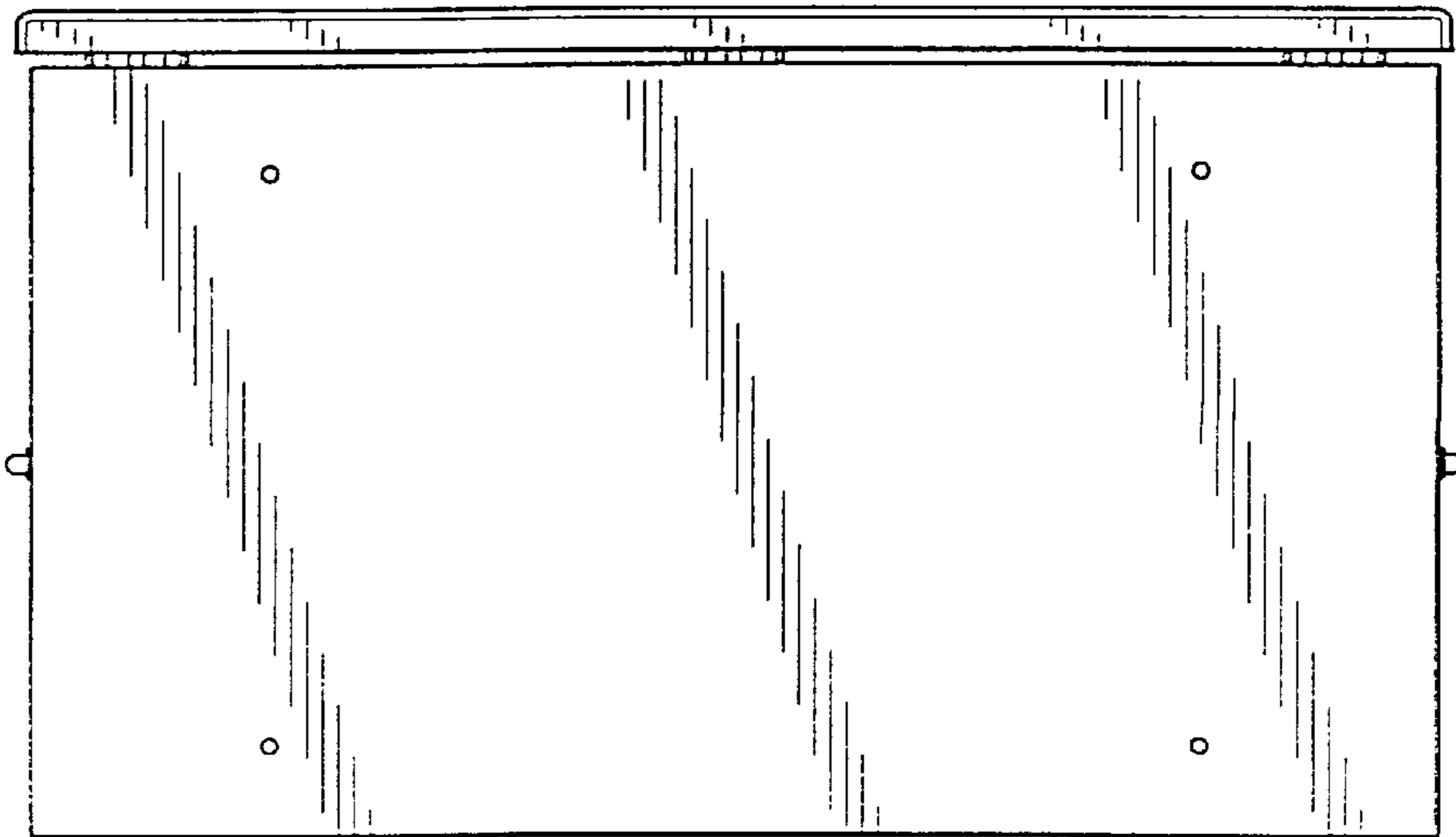


FIG. 10

