



US00D419349S

# United States Patent [19]

[11] Patent Number: **Des. 419,349**

Klein et al.

[45] Date of Patent: **\*\* Jan. 25, 2000**

[54] **HANGING RACK FOR SPORTS EQUIPMENT**

[75] Inventors: **Richard B. Klein**, Overland Park;  
**Chris Serslev**, Leawood; **John W. Scott**, Lenexa, all of Kans.

[73] Assignee: **Lynk, Inc.**, Lenexa, Kans.

[\*\*] Term: **14 Years**

[21] Appl. No.: **29/103,918**

[22] Filed: **Apr. 26, 1999**

[51] **LOC (7) Cl.** ..... **07-07**

[52] **U.S. Cl.** ..... **D6/552; D6/548; D6/570**

[58] **Field of Search** ..... **D6/512-514, 552, D6/567, 569, 570, 546, 548, 315, 320; 211/34, 35, 13.1, 87-89, 115; 248/214**

[56] **References Cited**

**U.S. PATENT DOCUMENTS**

D. 139,415	11/1944	Brown	.....	D80/9
D. 198,349	6/1964	Saunders	.....	D80/10
D. 287,550	1/1987	Tocci	.	
D. 354,412	1/1995	Emery	.	
D. 377,728	2/1997	Klein et al.	.....	D6/570
D. 381,225	7/1997	Malik	.....	D6/513
D. 382,434	8/1997	Klein et al.	.....	D6/570
D. 385,481	10/1997	Klein et al.	.....	D8/373
D. 388,619	1/1998	Klein et al.	.....	D6/323
D. 397,565	9/1998	Klein et al.	.....	D6/513
D. 398,468	9/1998	Yemini	.....	D6/548
466,608	1/1892	Landis	.	
632,409	9/1899	Hallowell	.....	211/35
797,614	8/1905	Schipkowsky	.	
860,278	7/1907	Botkin	.	
913,228	2/1909	McCarthy	.	
1,733,487	10/1929	Hackley	.	
2,060,760	11/1936	Keil	.....	211/87
2,067,095	1/1937	Pease	.....	211/34
2,090,108	8/1937	Cicero	.....	211/35
2,271,784	2/1942	Tritt	.....	248/220
2,299,021	10/1942	Hoffman	.....	211/34
2,767,854	10/1956	Barrett	.....	211/13
2,885,090	5/1959	Forman et al.	.....	211/175
2,930,486	3/1960	Hoover	.....	211/44
2,950,003	8/1960	Simmons et al.	.....	206/75

2,972,417	2/1961	Smith	.....	211/71
3,650,407	3/1972	Benham, Jr.	.....	211/14
3,669,395	6/1972	Gehrke	.....	248/235
3,698,563	10/1972	Gordon et al.	.....	211/13
3,792,804	2/1974	Ponzo	.....	223/85
3,869,137	3/1975	Byrom	.....	280/47.19
3,888,353	6/1975	Leifheit	.....	211/37
3,913,745	10/1975	Weiss	.....	211/34
3,918,670	11/1975	Doherty	.....	248/214
4,002,241	1/1977	Parrilla, Sr.	.....	211/88
4,049,126	9/1977	Halverson	.....	211/104
4,154,442	5/1979	Trubody et al.	.....	273/29
4,178,844	12/1979	Ward et al.	.....	99/449
4,188,890	2/1980	de Villers	.....	108/30
4,193,495	3/1980	Keeley	.....	206/315
4,227,710	10/1980	Laub	.....	280/47.19
4,315,633	2/1982	Boeddeker et al.	.....	280/79.3
4,376,521	3/1983	Walters	.....	248/206
4,561,547	12/1985	Estwanik, III	.....	211/14
4,583,647	4/1986	Schinzling	.....	211/60.1
4,629,065	12/1986	Braaten	.....	206/315.1
4,643,317	2/1987	Wilkinson et al.	.....	211/14
4,674,967	6/1987	Oseka	.....	425/110
4,676,539	6/1987	Potocnjak	.....	294/67.4
4,678,087	7/1987	York	.....	211/70.5
4,688,681	8/1987	Bergeron	.....	211/36
4,708,310	11/1987	Smith	.....	248/220.1
4,776,650	10/1988	Ferenzi	.....	312/245
4,854,456	8/1989	Lee	.....	211/14
4,936,467	6/1990	Bobeczko	.....	211/14
5,695,073	12/1997	Klein et al.	.....	211/35
5,855,279	1/1999	Klein et al.	.....	211/35

**FOREIGN PATENT DOCUMENTS**

1272706	10/1960	France	.
1467884	12/1965	France	.
096106	2/1988	Taiwan	.

*Primary Examiner*—Brian N. Vinson  
*Attorney, Agent, or Firm*—Shook, Hardy & Bacon L.L.P.

[57] **CLAIM**

The ornamental design for a hanging rack for sports equipment, as shown and described.

**DESCRIPTION**

FIG. 1 is a perspective view of a hanging rack for sports equipment according to the present invention;  
FIG. 2 is a top plan view thereof;

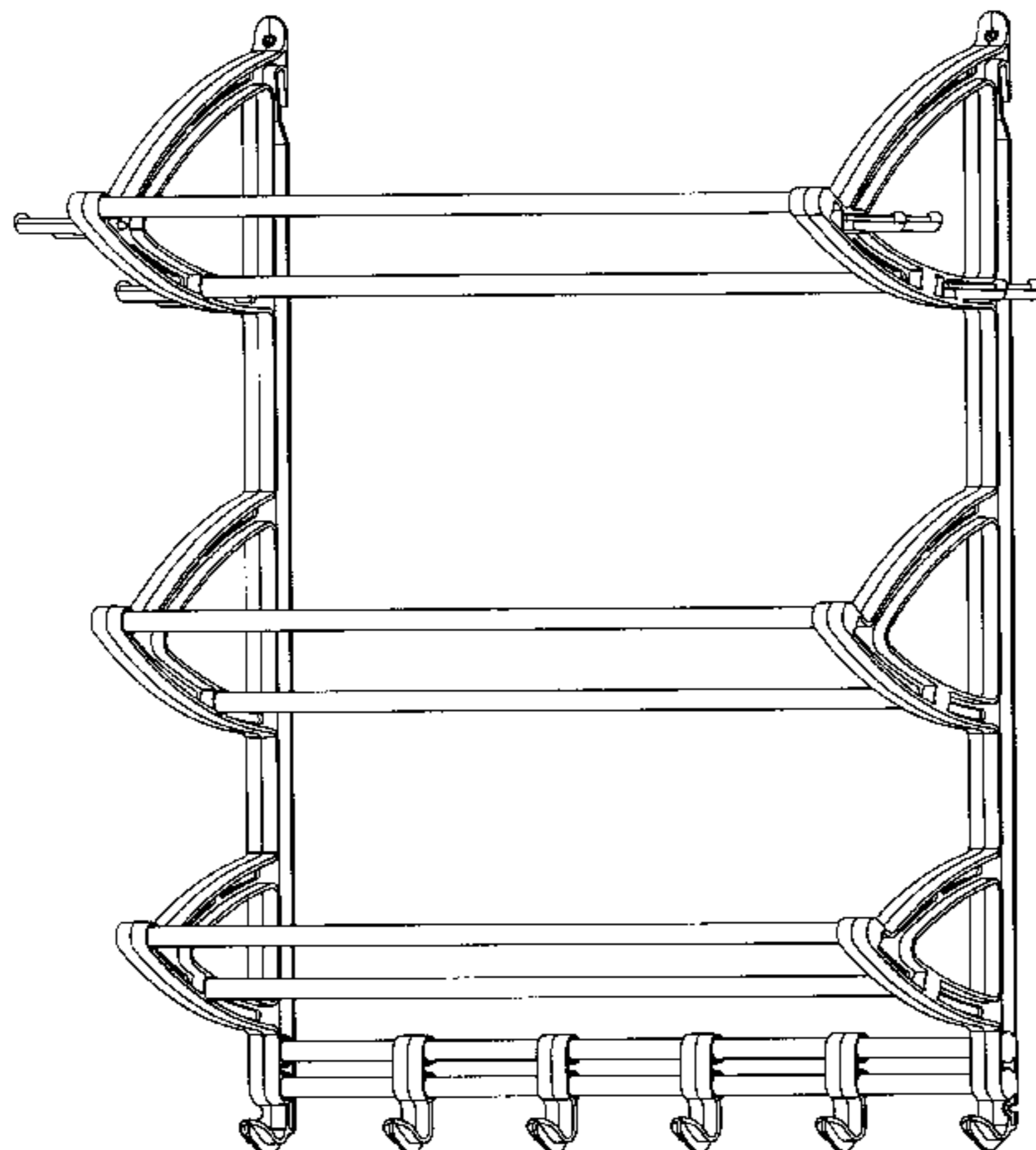
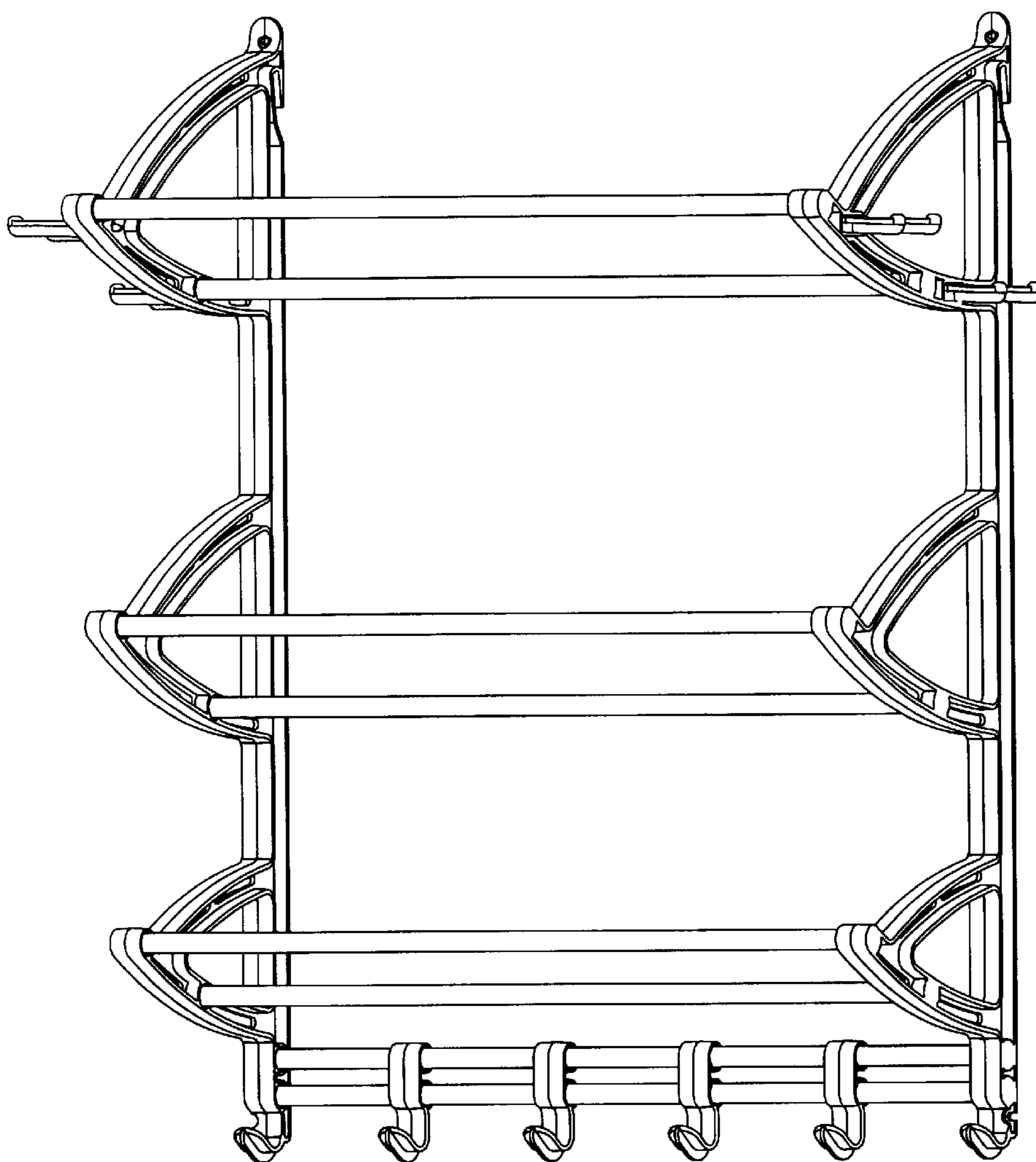


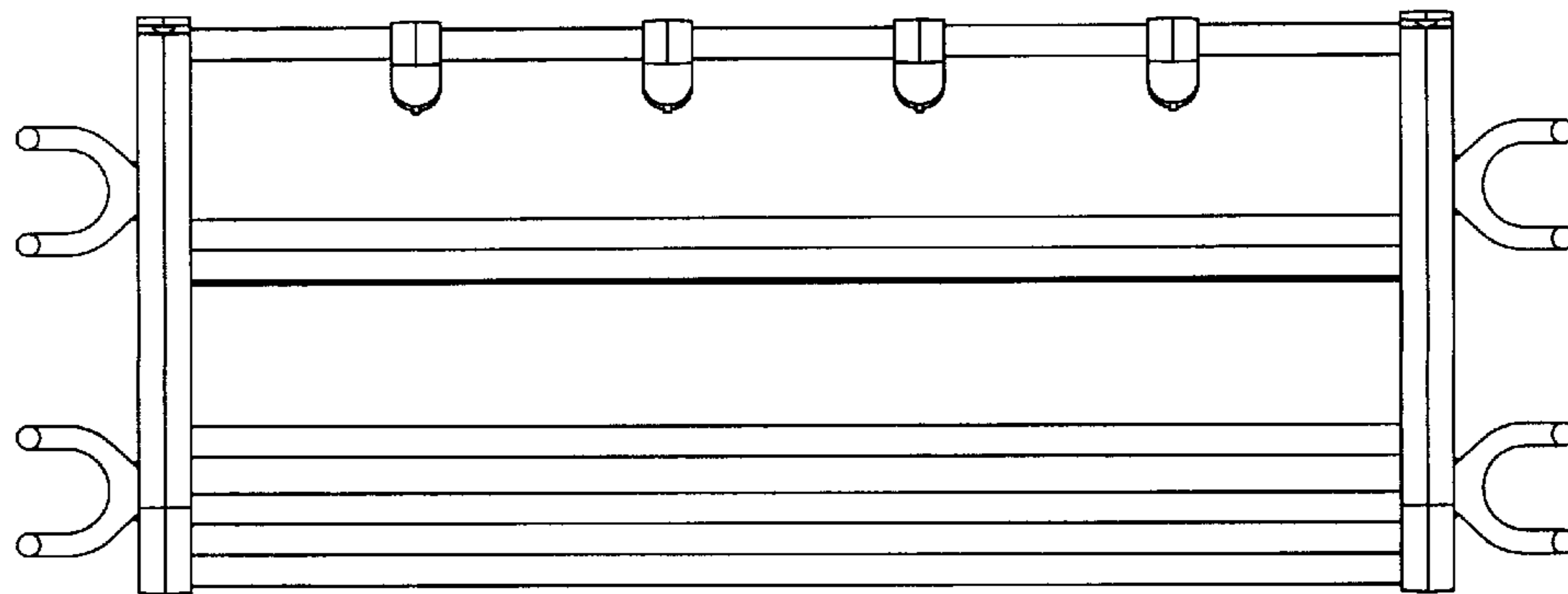
FIG. 3 is a front elevational view thereof;  
FIG. 4 is a side elevational view thereof;  
FIG. 5 is a rear elevational view thereof; and,

FIG. 6 is a bottom plan view of FIG. 3 thereof.

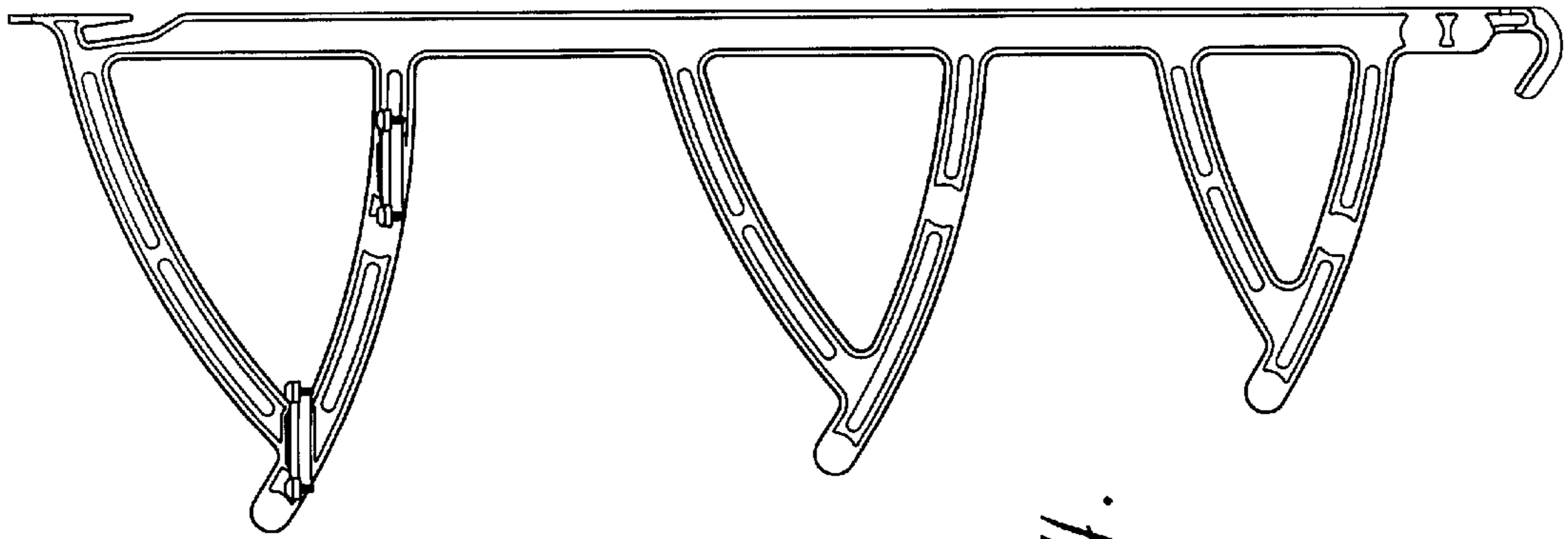
**1 Claim, 3 Drawing Sheets**



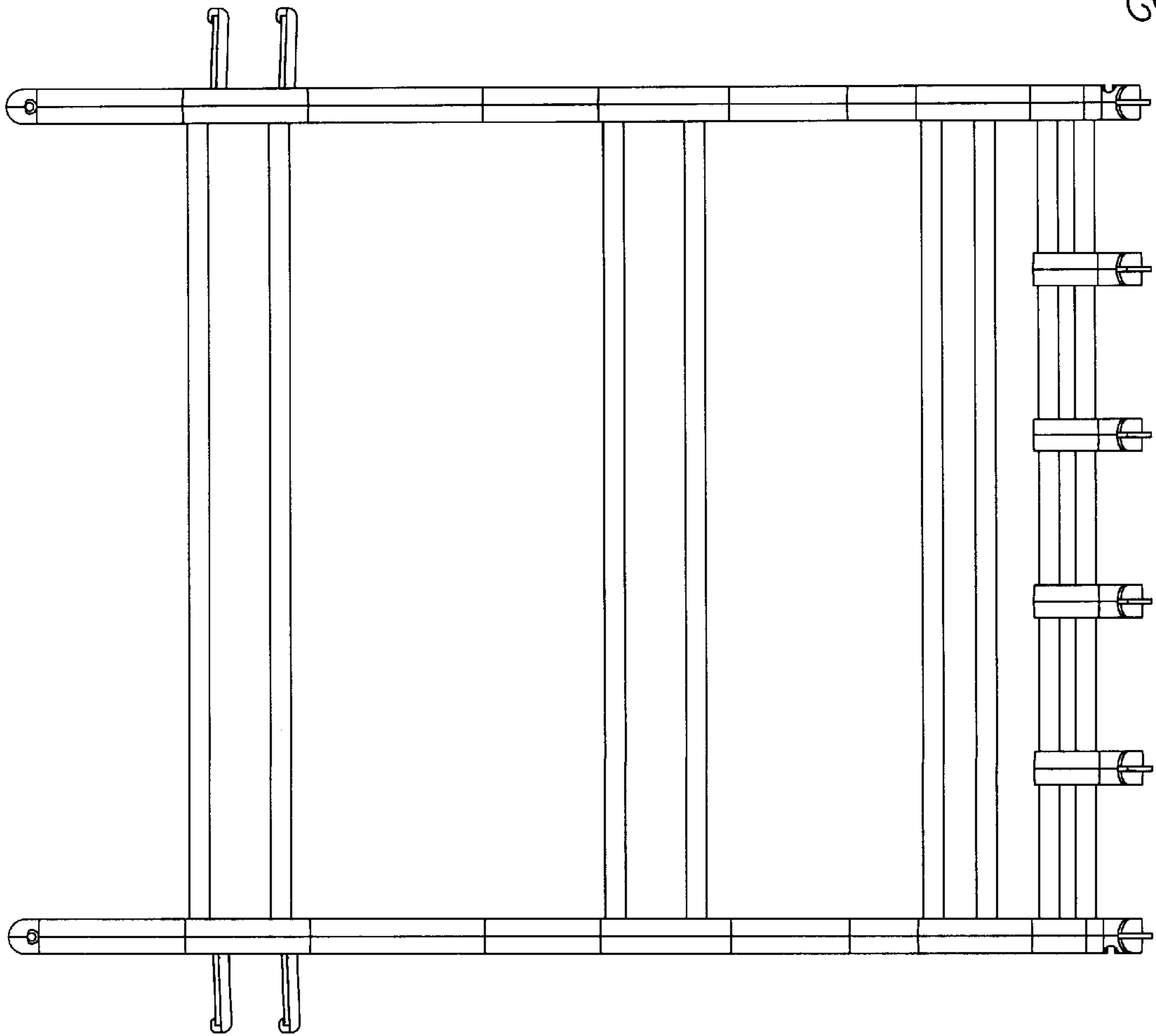
*Fig. 1.*



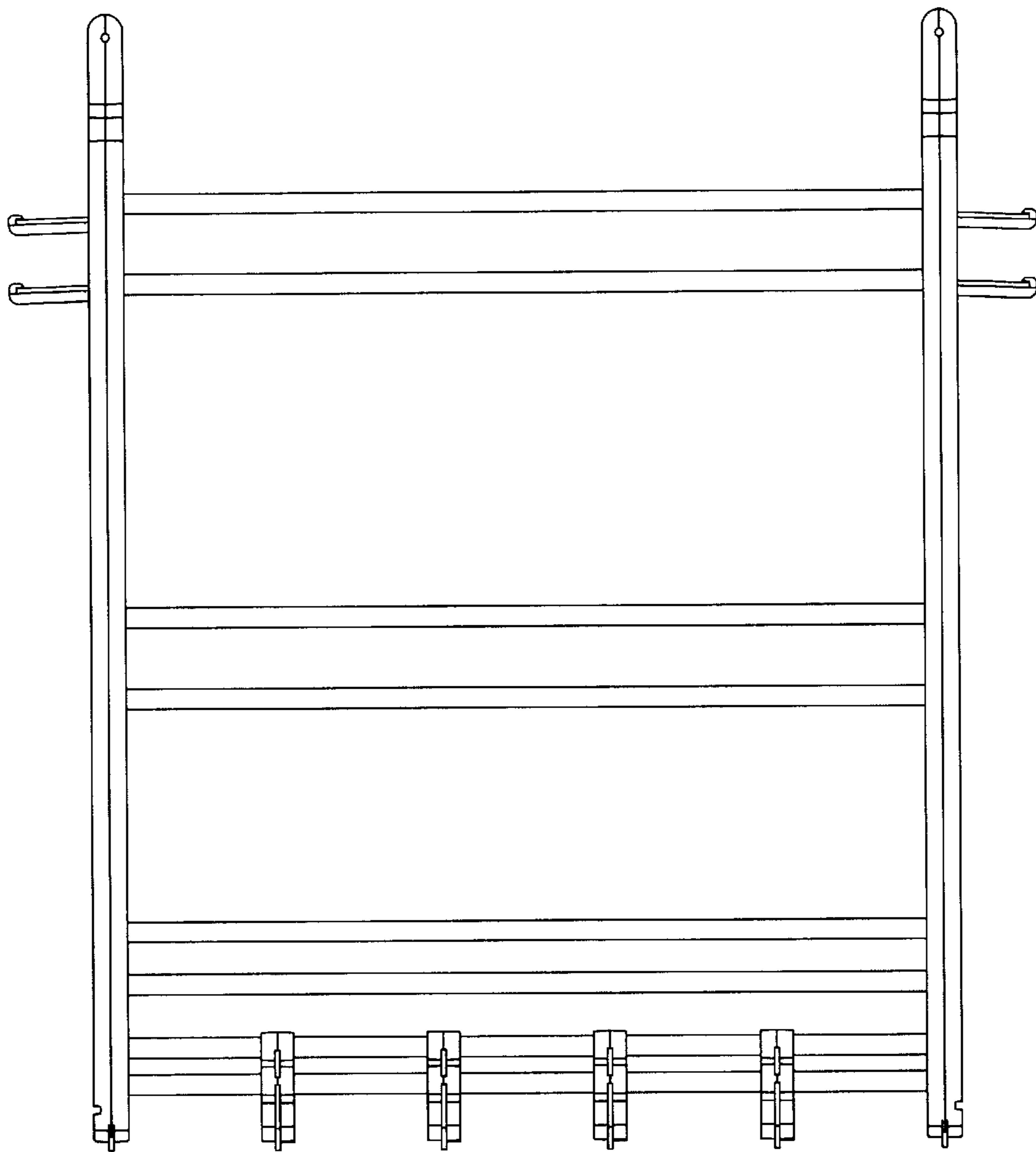
*Fig. 2.*



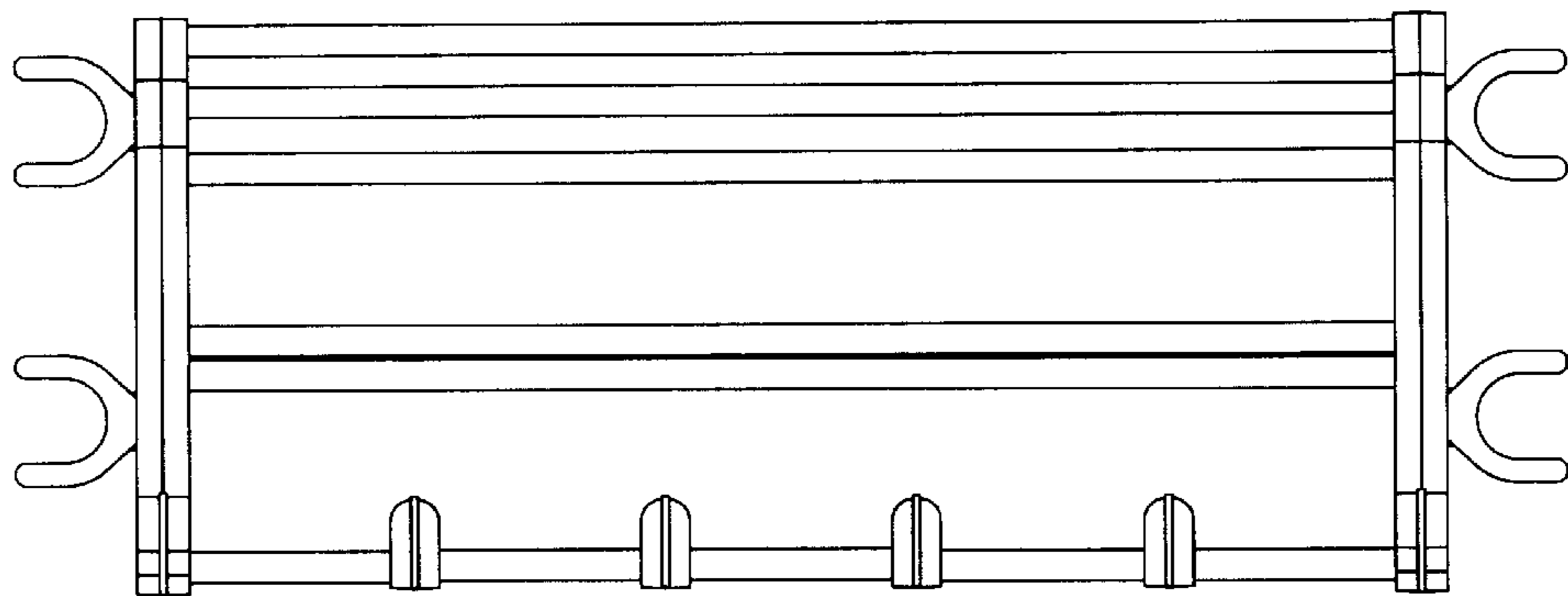
*Fig. 4.*



*Fig. 3.*



*Fig. 5.*



*Fig. 6.*