



US00D419348S

United States Patent [19] Speceal

[11] Patent Number: Des. 419,348

[45] Date of Patent: ** Jan. 25, 2000

[54] TOILET PLUNGER CONTAINER

5,456,356 10/1995 Kurzawa 206/349

[76] Inventor: Adena Speceal, 6020 Timberleaf Way,
Orangevale, Calif. 95662

Primary Examiner—Brian N. Vinson

[**] Term: 14 Years

[57] CLAIM

The ornamental design for a toilet plunger container, as shown.

[21] Appl. No.: 29/099,715

[22] Filed: Jan. 28, 1999

DESCRIPTION

[51] LOC (7) Cl. 08-08

[52] U.S. Cl. D6/551

[58] Field of Search D6/551, 524; D11/131,
D11/136; D21/576, 621, 645, 648, 649;
206/349, 361

FIG. 1 is a front elevational view of the toilet plunger container of the present invention;

FIG. 2 is a back elevational view of the toilet plunger container of FIG. 1;

FIG. 3 is a left side elevational view of the toilet plunger container of FIG. 1;

FIG. 4 is a right side elevational view of the toilet plunger container of FIG. 1;

FIG. 5 is a top plan view of the toilet plunger container of FIG. 1; and,

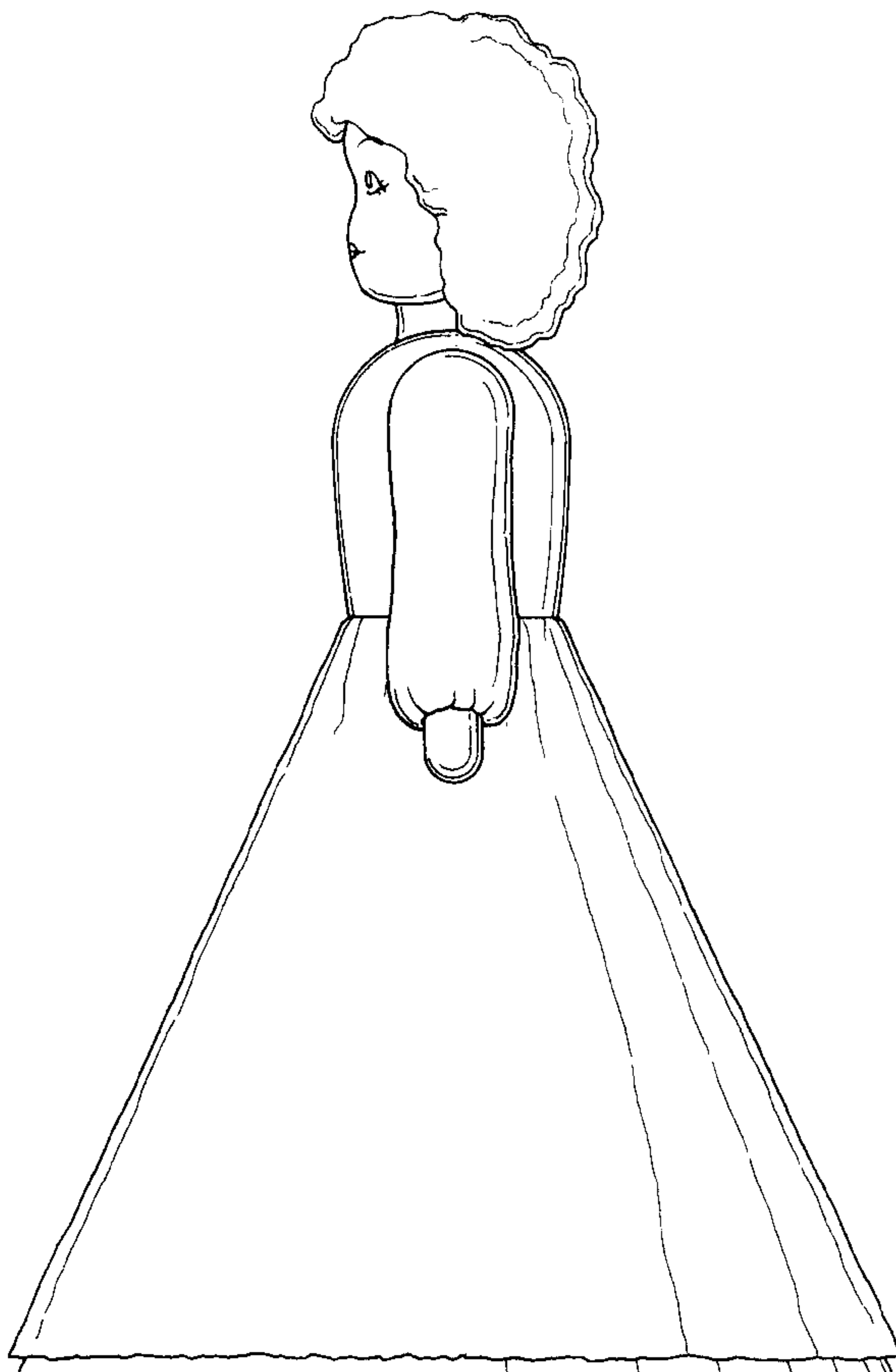
FIG. 6 is a bottom plan view of the toilet plunger container of FIG. 1.

[56] References Cited

U.S. PATENT DOCUMENTS

D. 235,784	7/1975	Maloy	D21/649
D. 323,862	2/1992	Joynes	D21/649
D. 362,339	9/1995	Jackson	D21/649
4,432,451	2/1984	Hooser	206/349 X

1 Claim, 3 Drawing Sheets



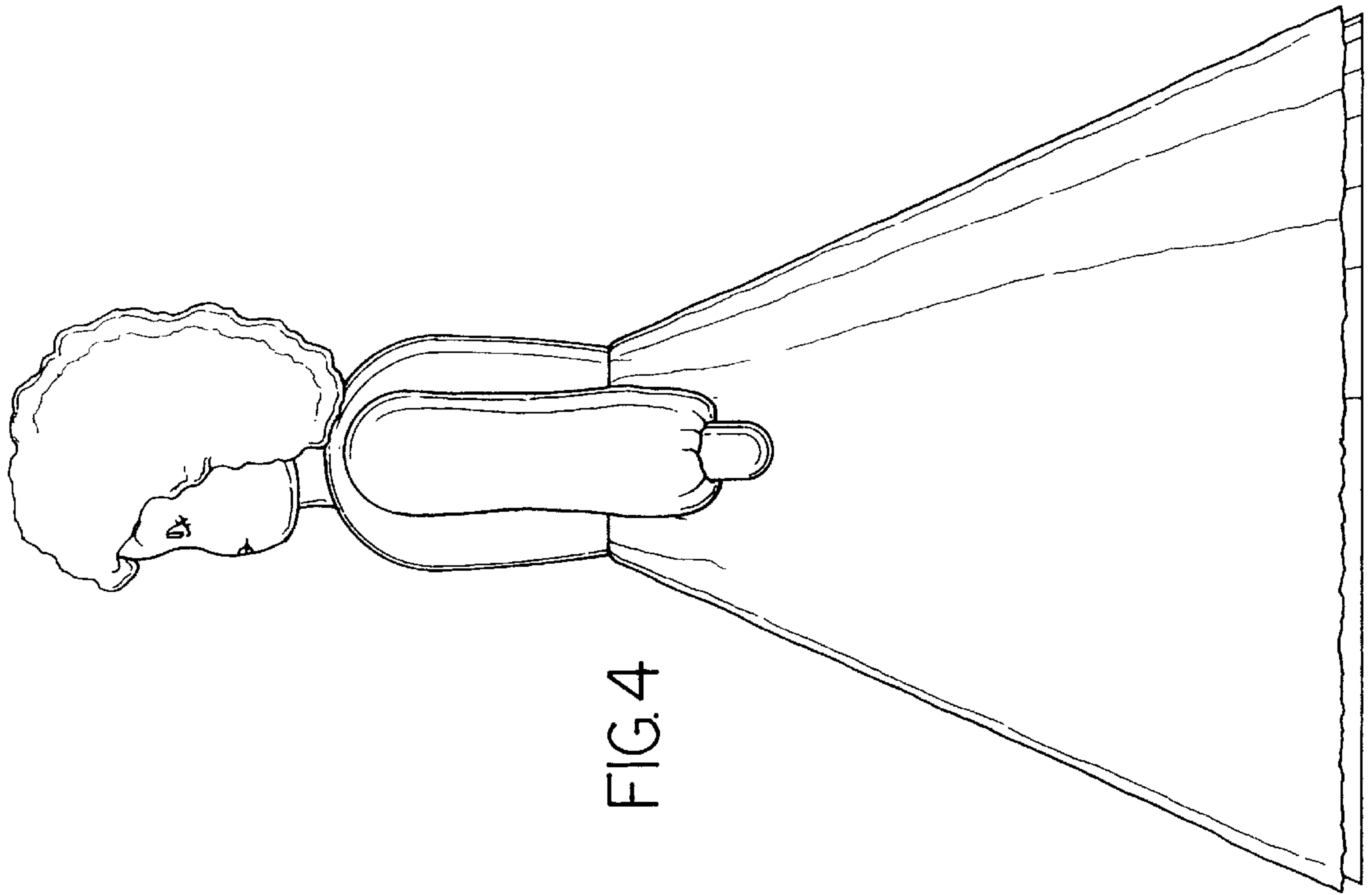


FIG. 4

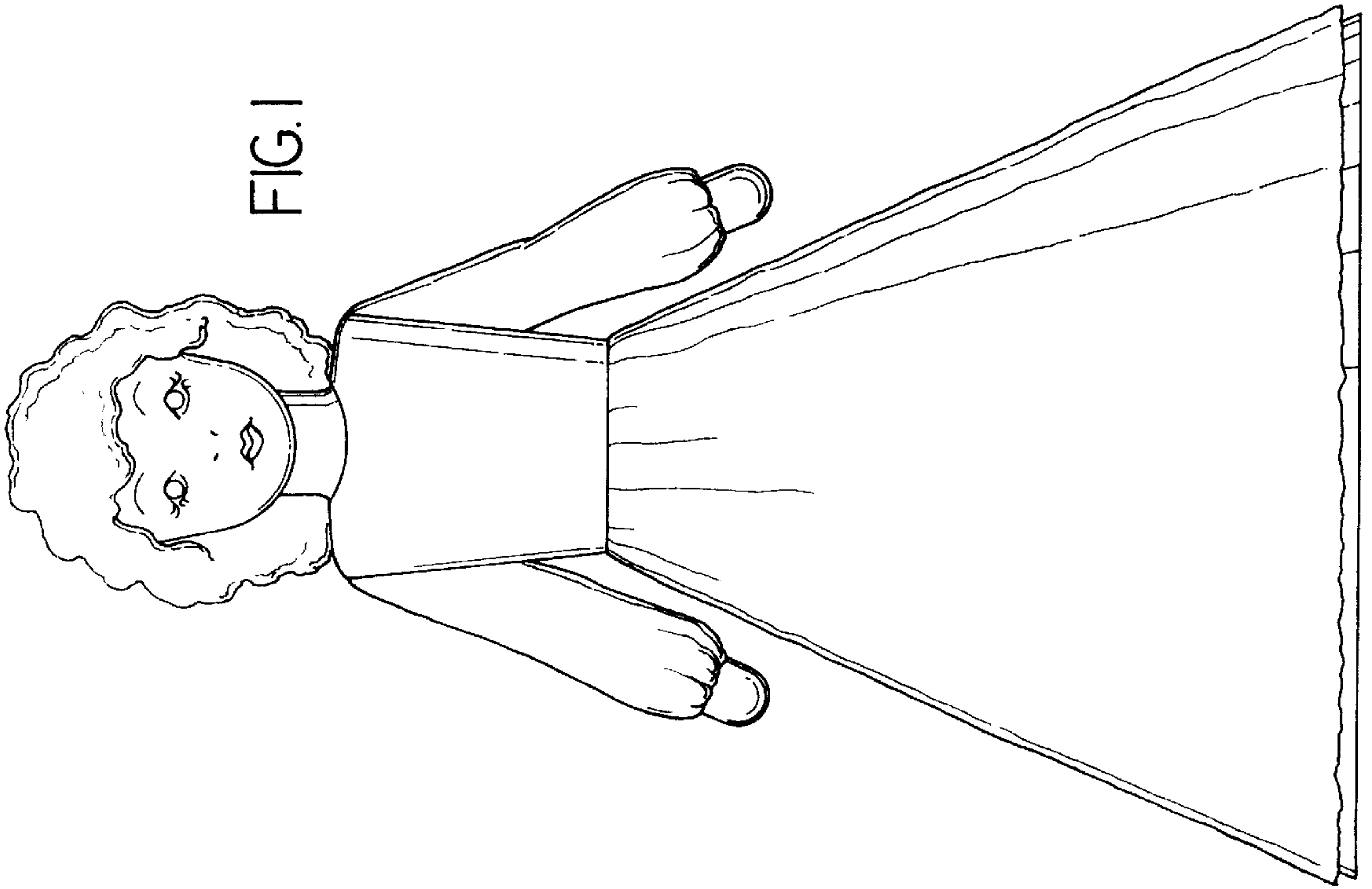


FIG. 1

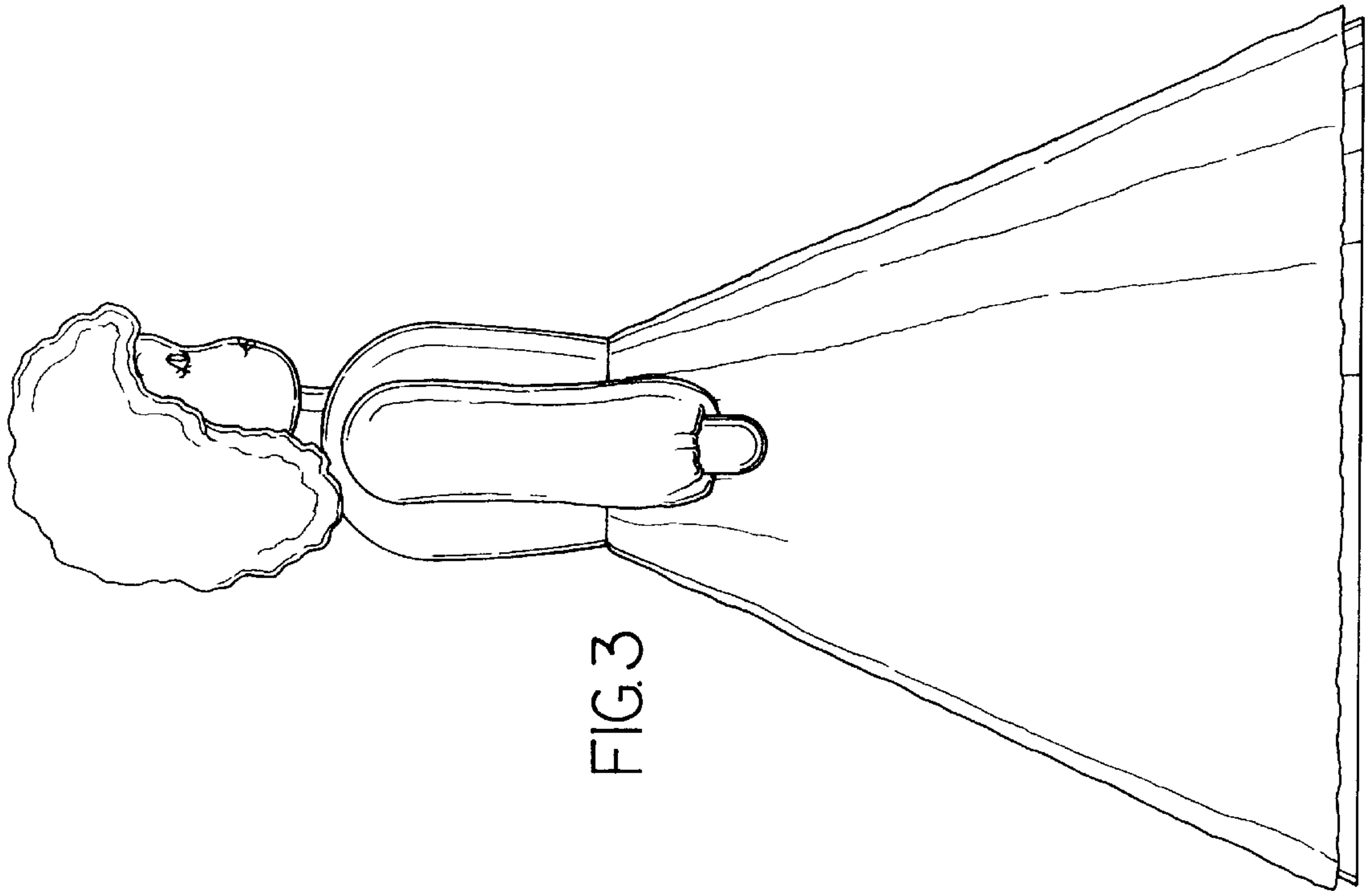


FIG. 3

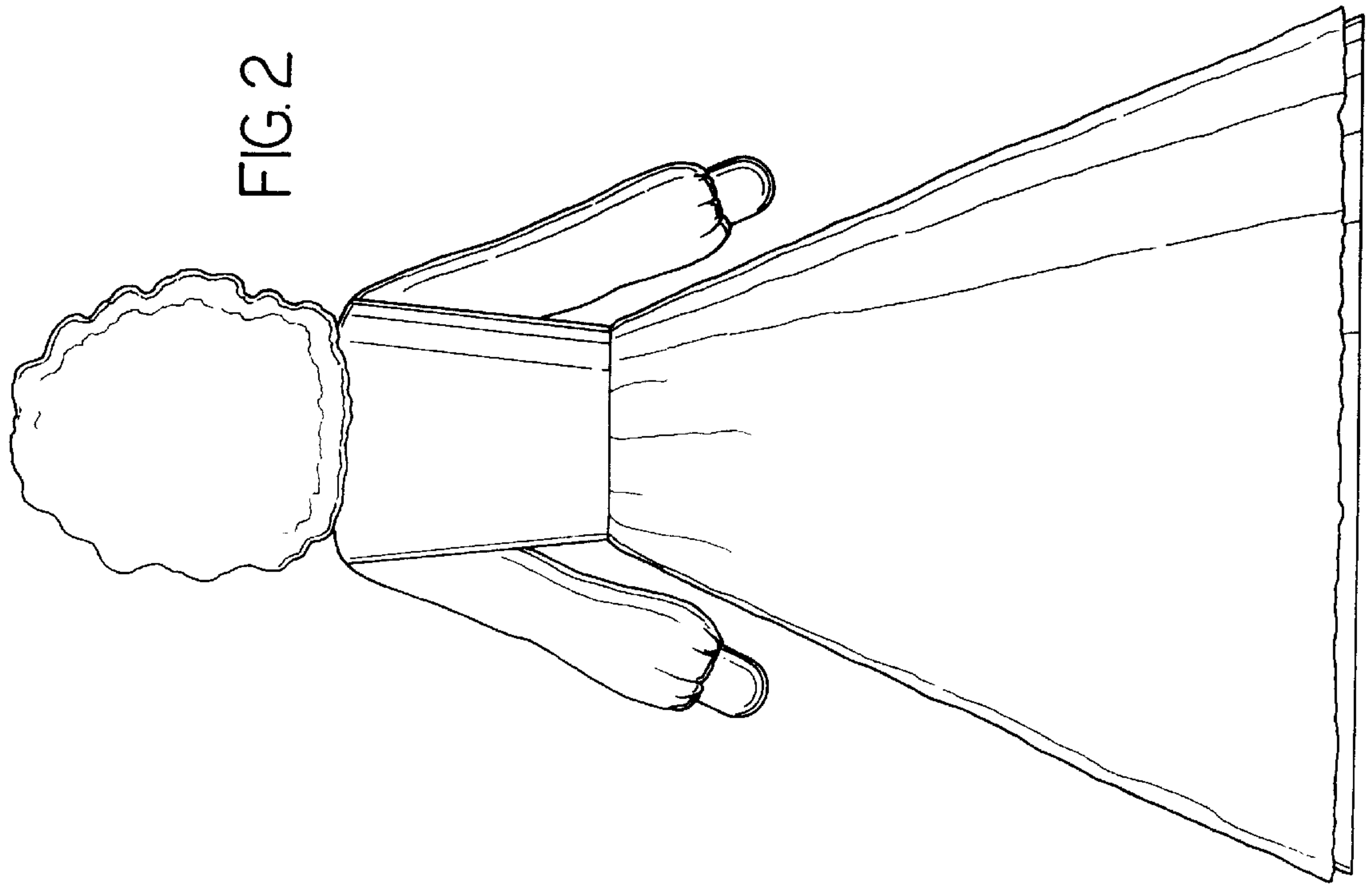


FIG. 2

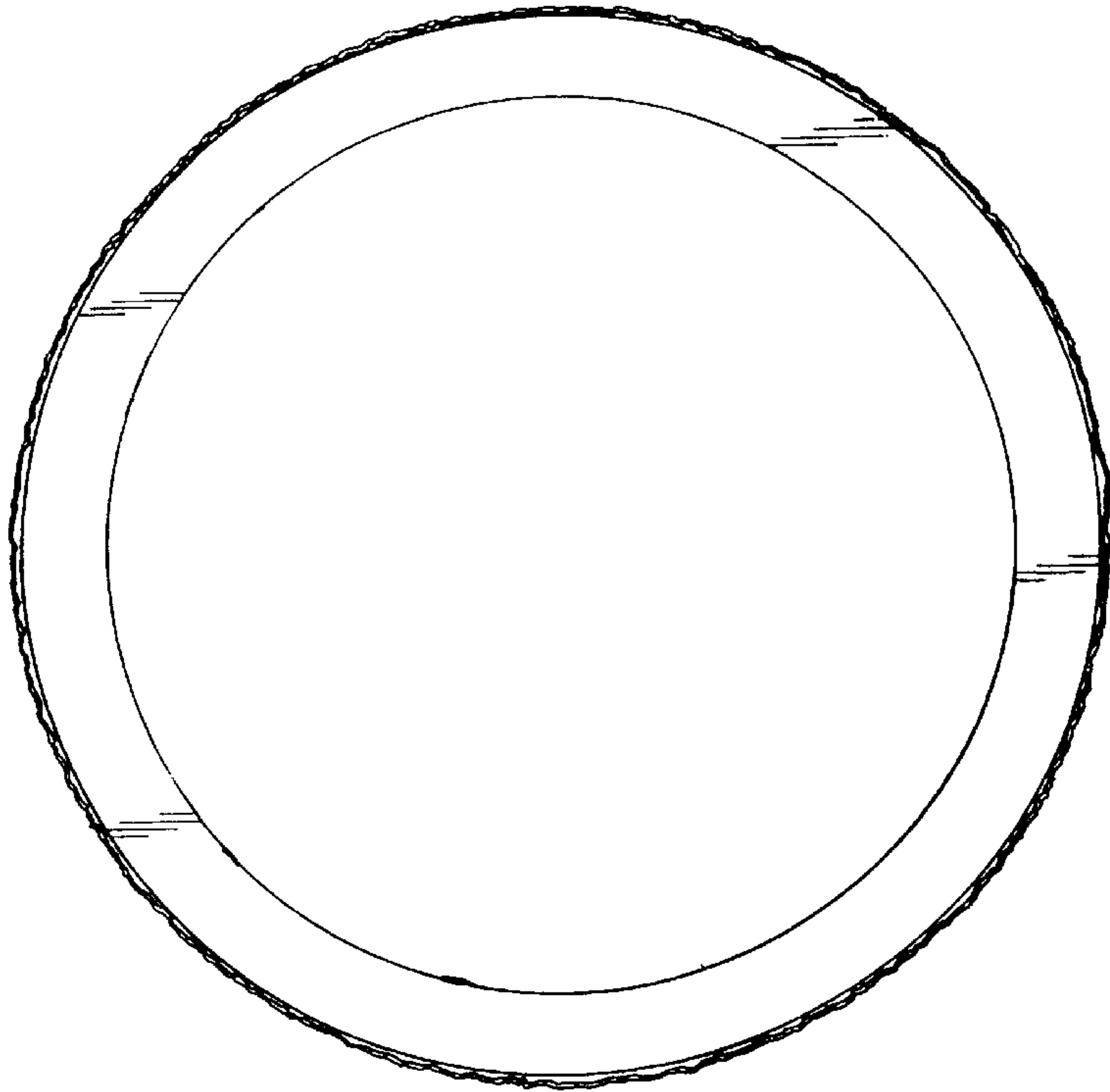


FIG. 5

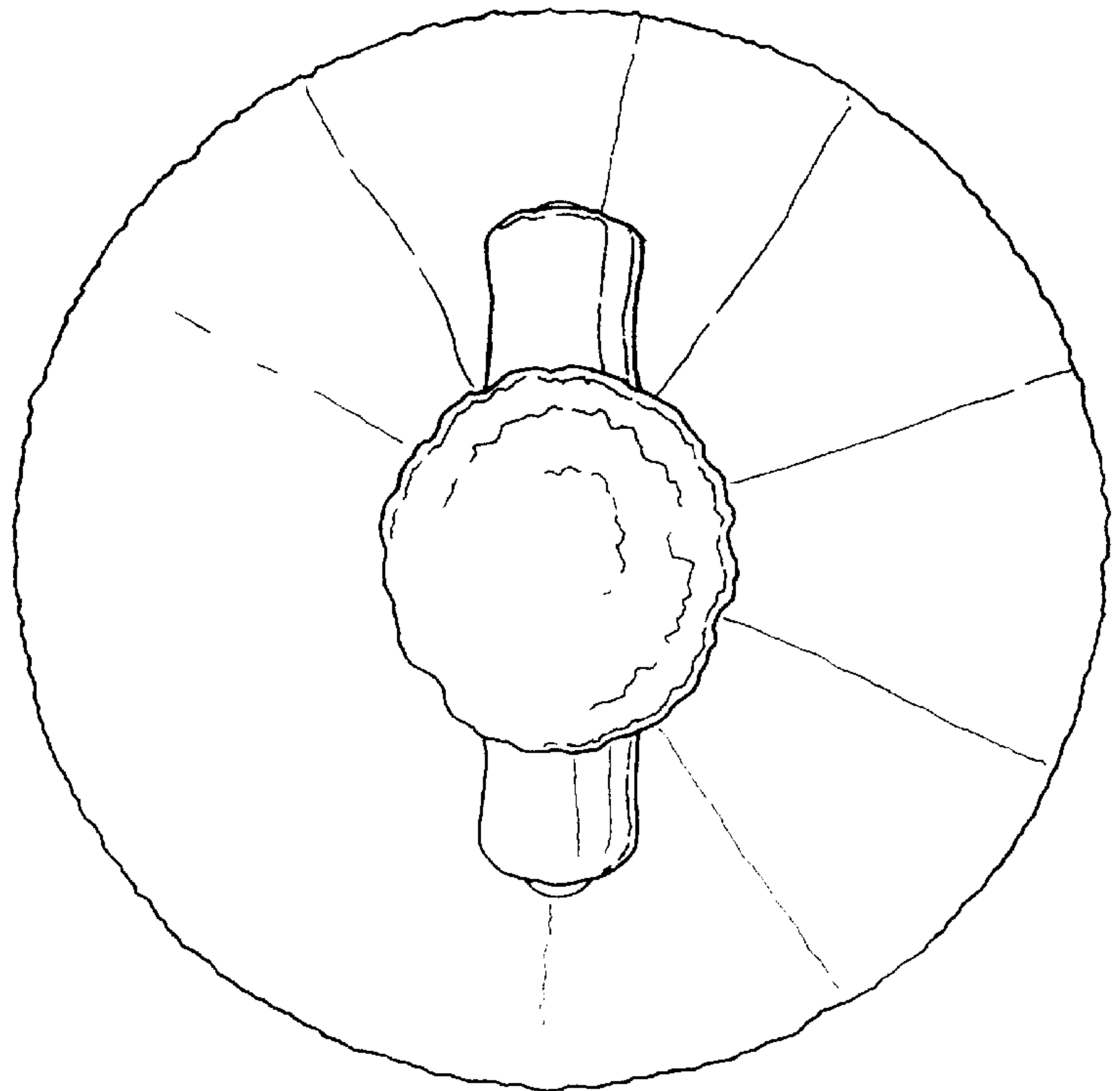


FIG. 6