



US00D419346S

**United States Patent** [19]  
**Monigold**

[11] **Patent Number: Des. 419,346**

[45] **Date of Patent: \*\* Jan. 25, 2000**

[54] **TISSUE DISPENSER SUN VISOR CLIP**

**DESCRIPTION**

[76] Inventor: **J. Christopher Monigold**, 402  
Ridgegate Dr., Garland, Tex. 75040

[\*\*] Term: **14 Years**

[21] Appl. No.: **29/088,500**

[22] Filed: **May 26, 1998**

[51] **LOC (7) Cl.** ..... **06-02**

[52] **U.S. Cl.** ..... **D6/518**

[58] **Field of Search** ..... D6/518-523, 315,  
D6/317; 282/55.2; 211/16, 113, 119; 248/317,  
339

FIG. 1 is a front elevation of the tissue dispenser sun visor clip of my invention;

FIG. 2 is a right side elevation of the tissue dispenser sun visor clip shown in FIG. 1;

FIG. 3 is a rear elevation of the tissue dispenser sun visor clip shown in FIG. 1;

FIG. 4 is a left side elevation of the tissue dispenser sun visor clip shown in FIG. 1;

FIG. 5 is a bottom plan view of the tissue dispenser sun visor clip shown in FIG. 1;

FIG. 6 is a top plan view of the tissue dispenser sun visor clip shown in FIG. 1;

FIG. 7 is a right perspective view of the tissue dispenser sun visor clip shown in FIGS. 1 through 6; and,

FIG. 8 is a left perspective view of the tissue dispenser sun visor clip shown in FIGS. 1 through 7 with a conventional tissue dispenser shown mounted thereon.

The broken line showing a tissue dispenser in FIG. 8 is for illustrative purposes only and forms no part of the claimed design.

[56] **References Cited**

**U.S. PATENT DOCUMENTS**

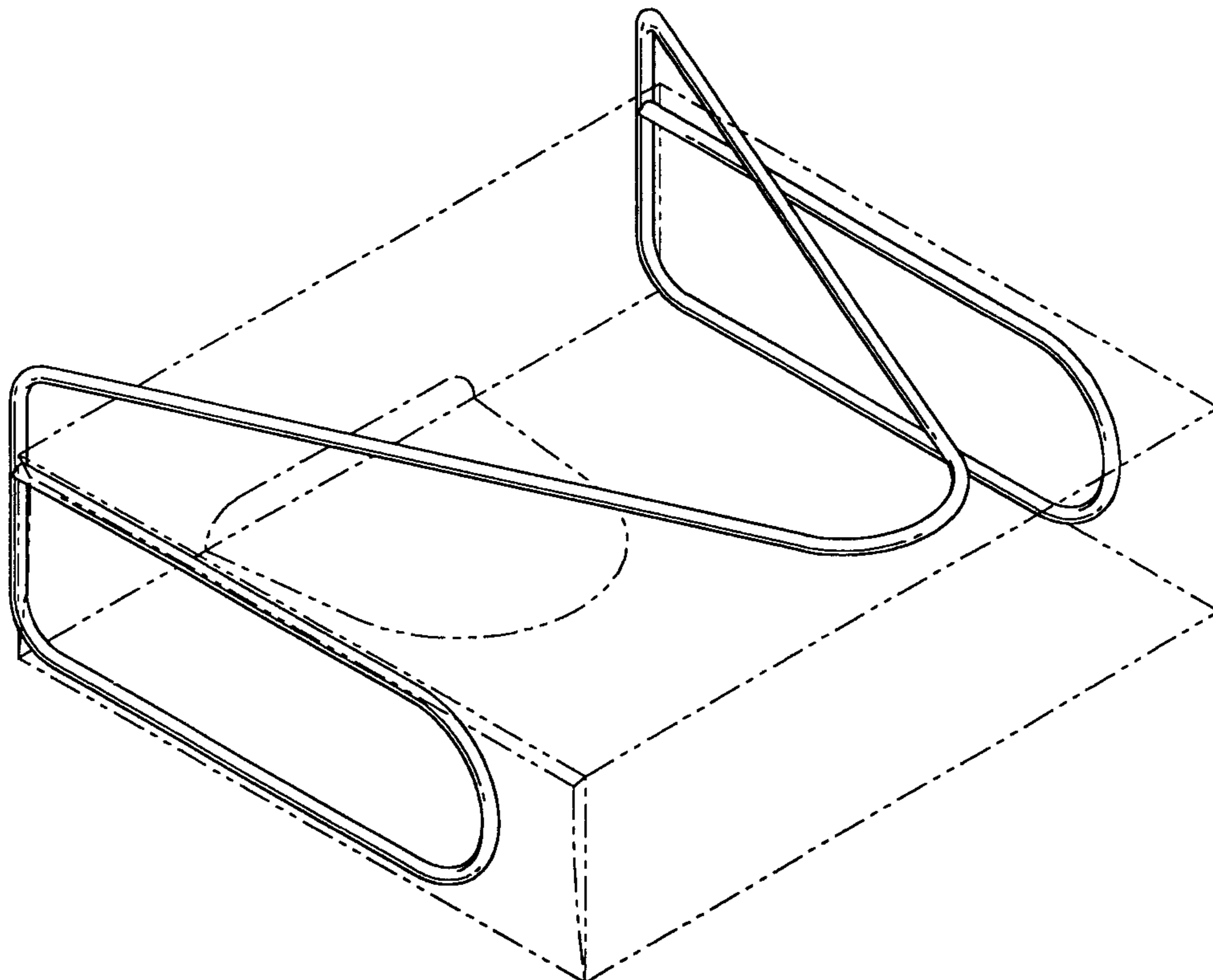
- D. 298,395 11/1988 Colavito ..... D6/518
- D. 335,987 6/1993 McClurg ..... D6/518
- D. 409,423 5/1999 Malik ..... D6/518

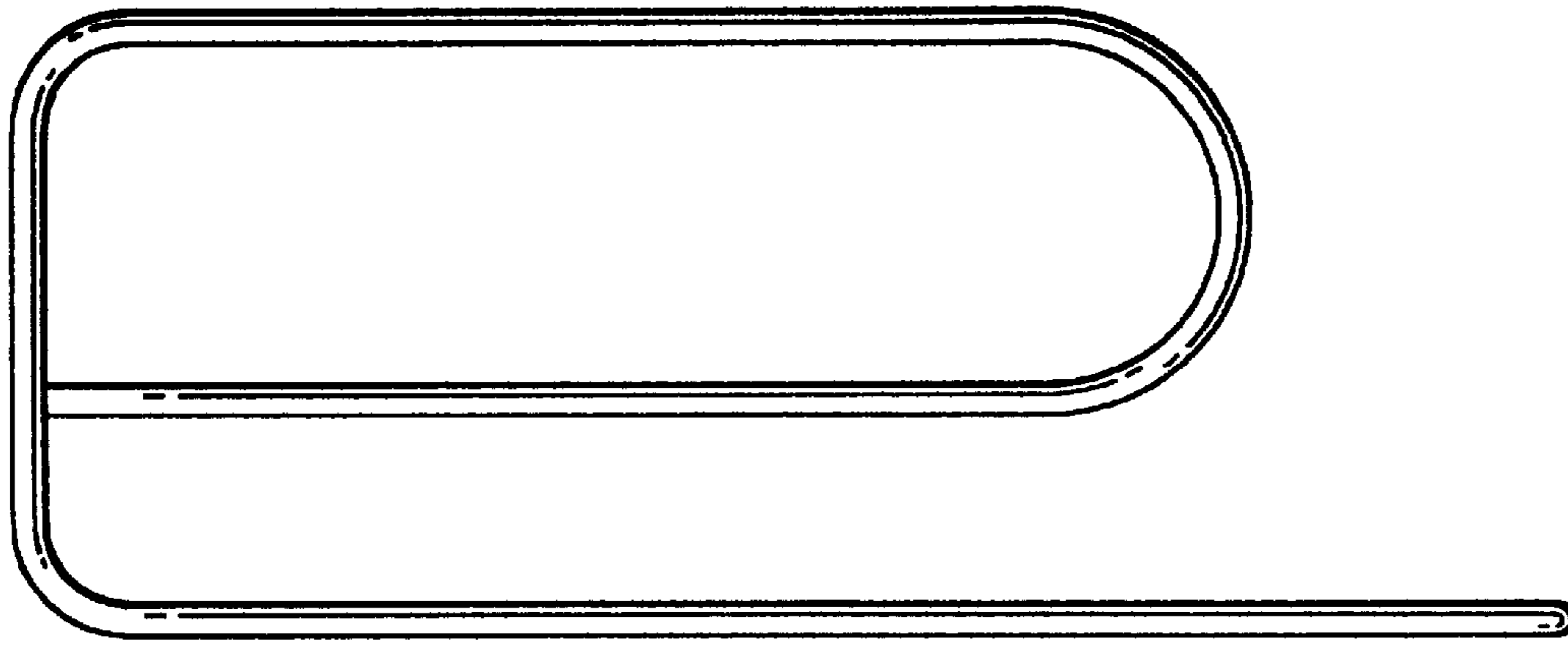
*Primary Examiner*—Marcus A. Jackson  
*Attorney, Agent, or Firm*—Akin, Gump, Strauss, Hauer & Feld, LLP

[57] **CLAIM**

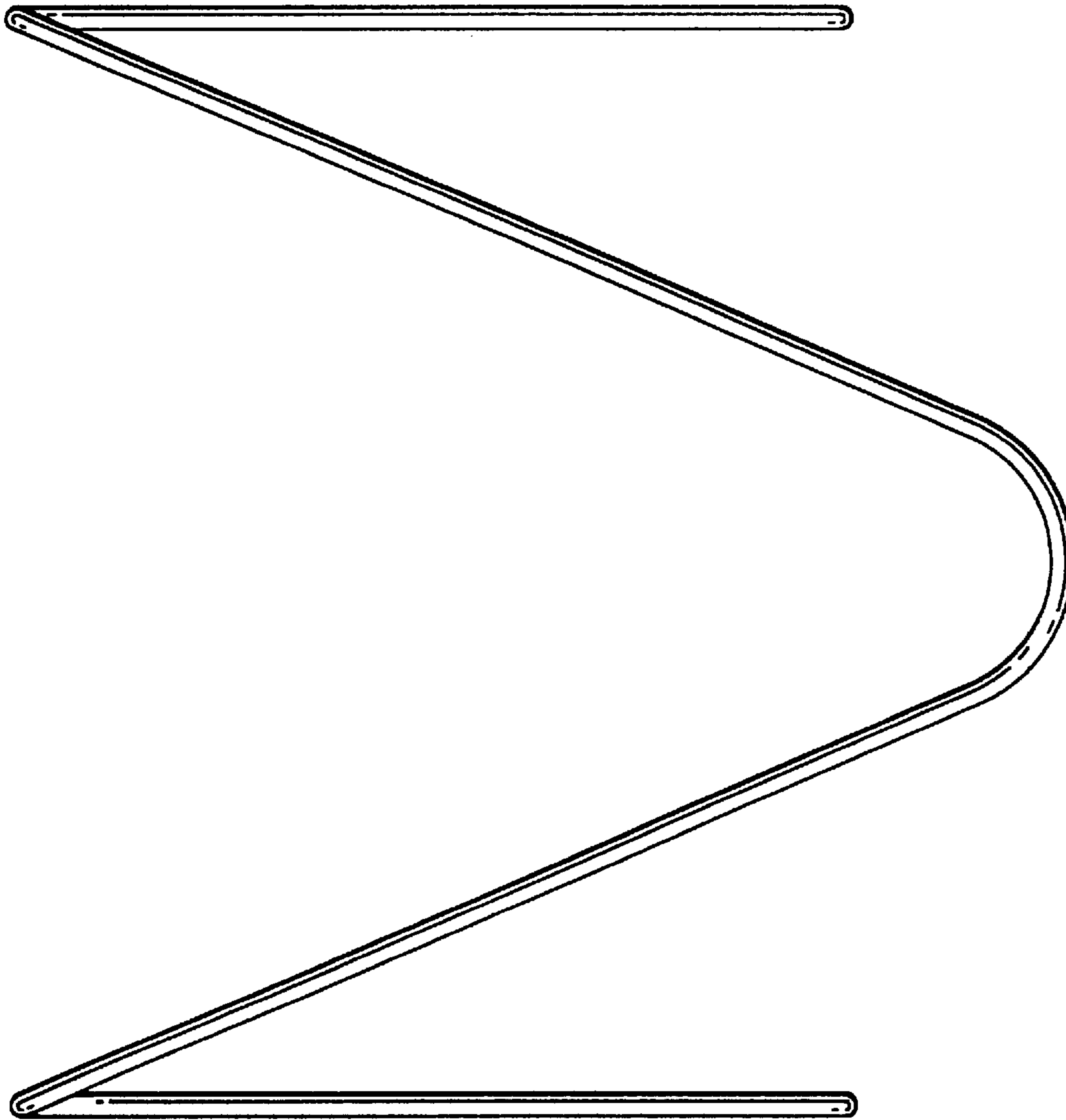
The ornamental design for a tissue dispenser sun visor clip, as shown and described.

**1 Claim, 5 Drawing Sheets**

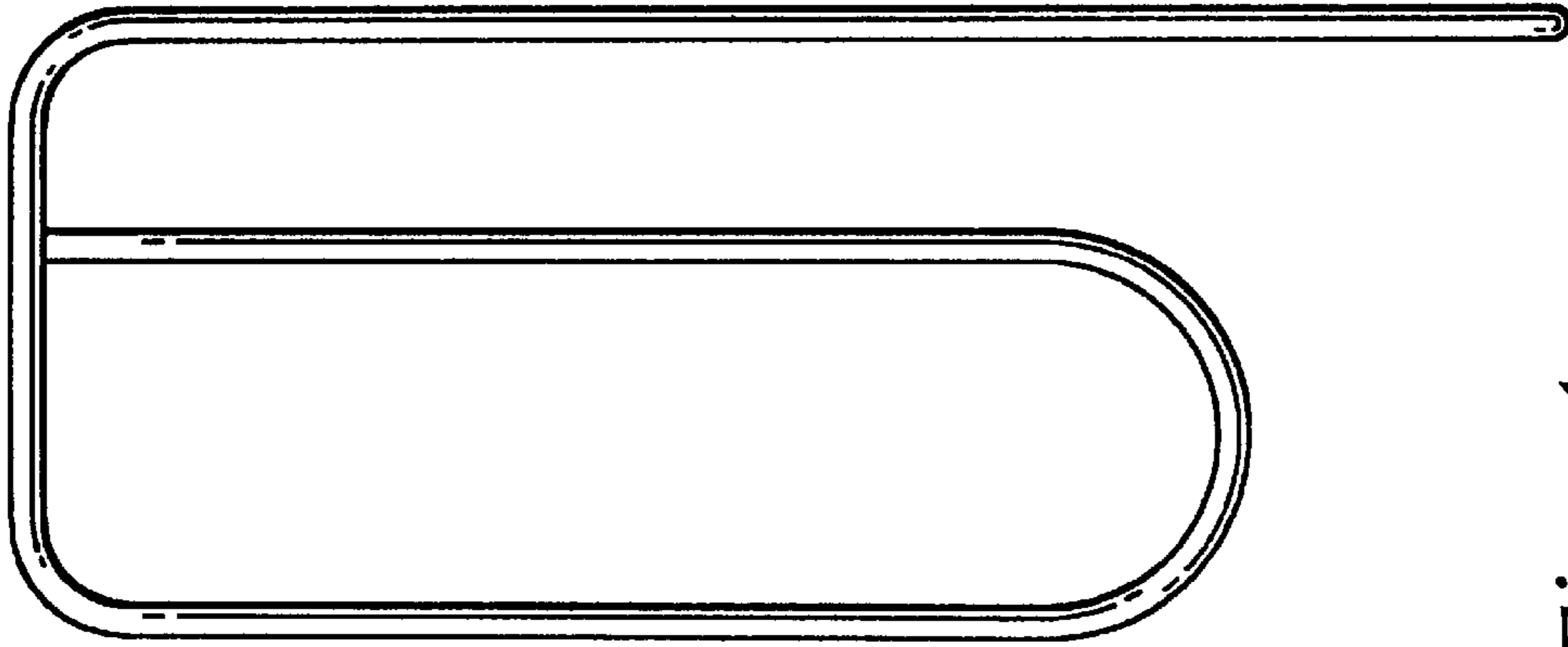




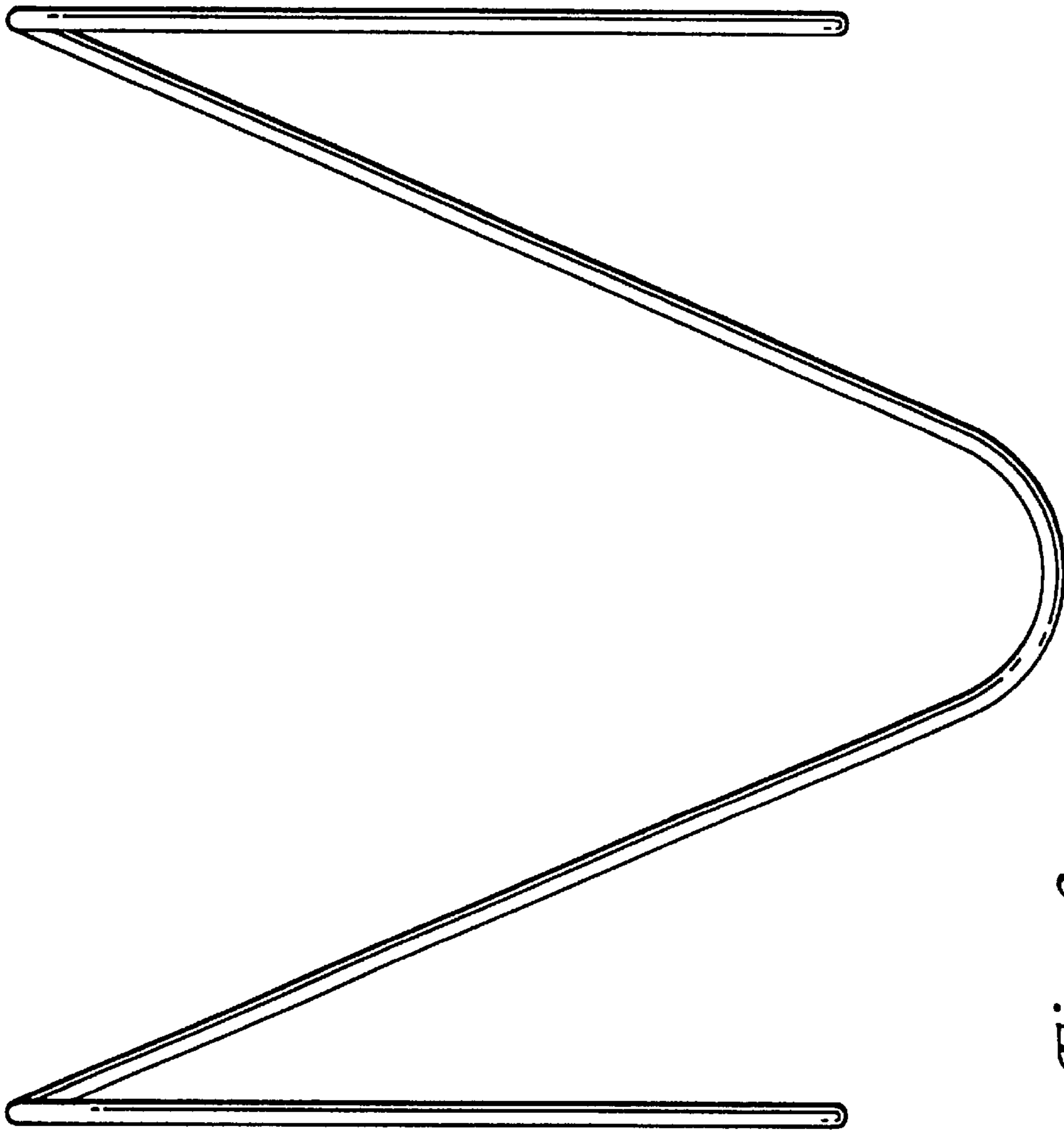
*Fig. 2*



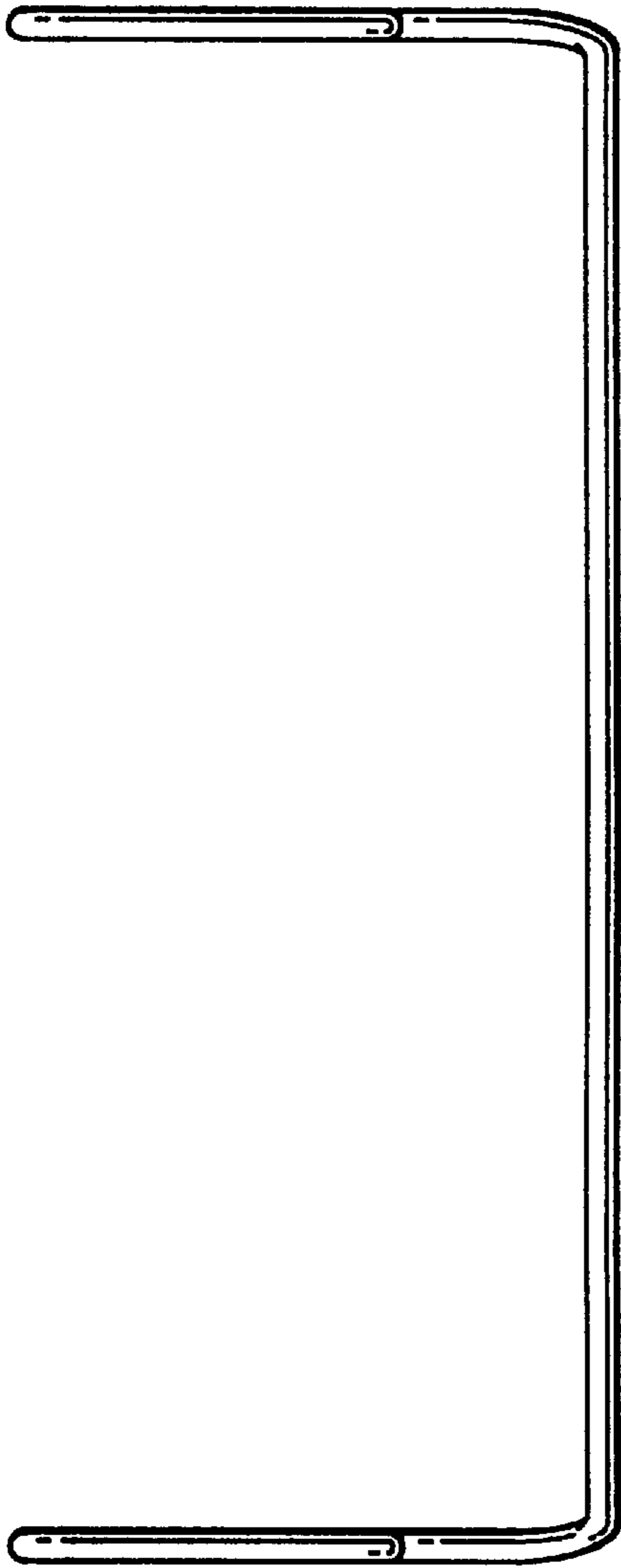
*Fig. 1*



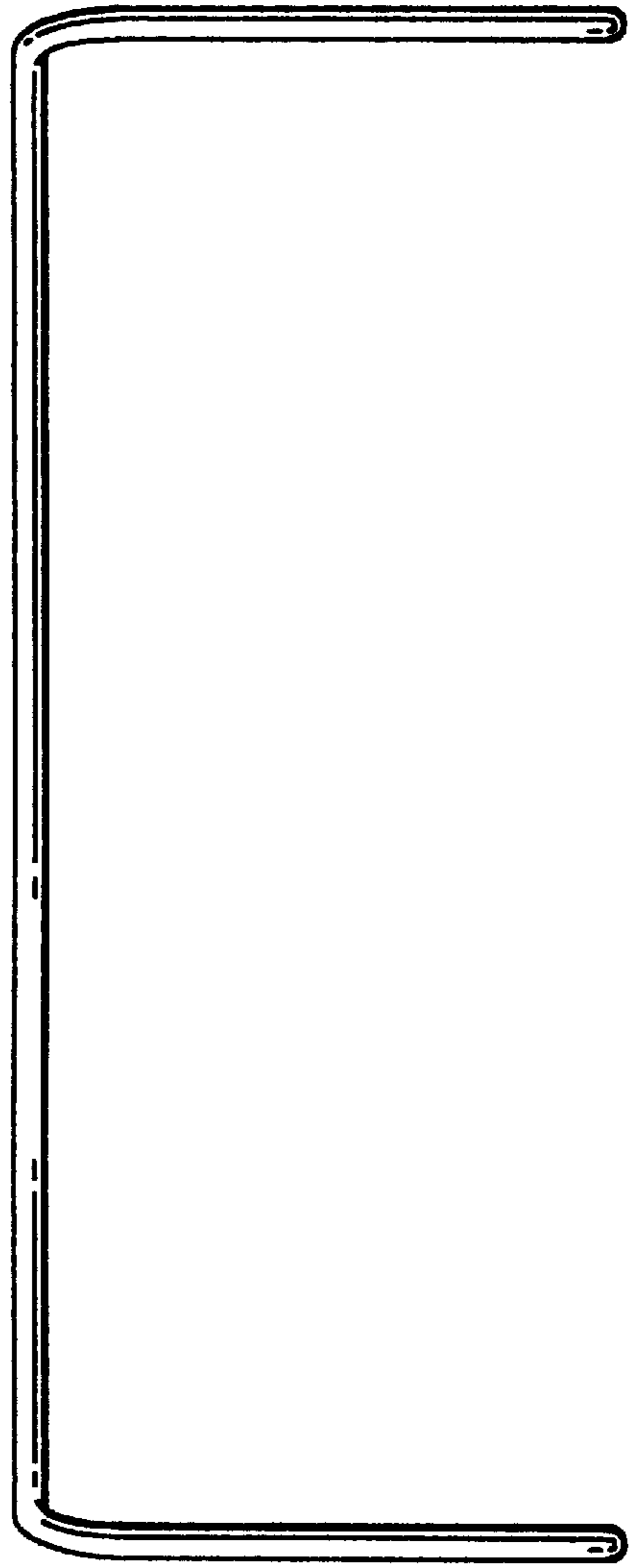
*Fig. 4*



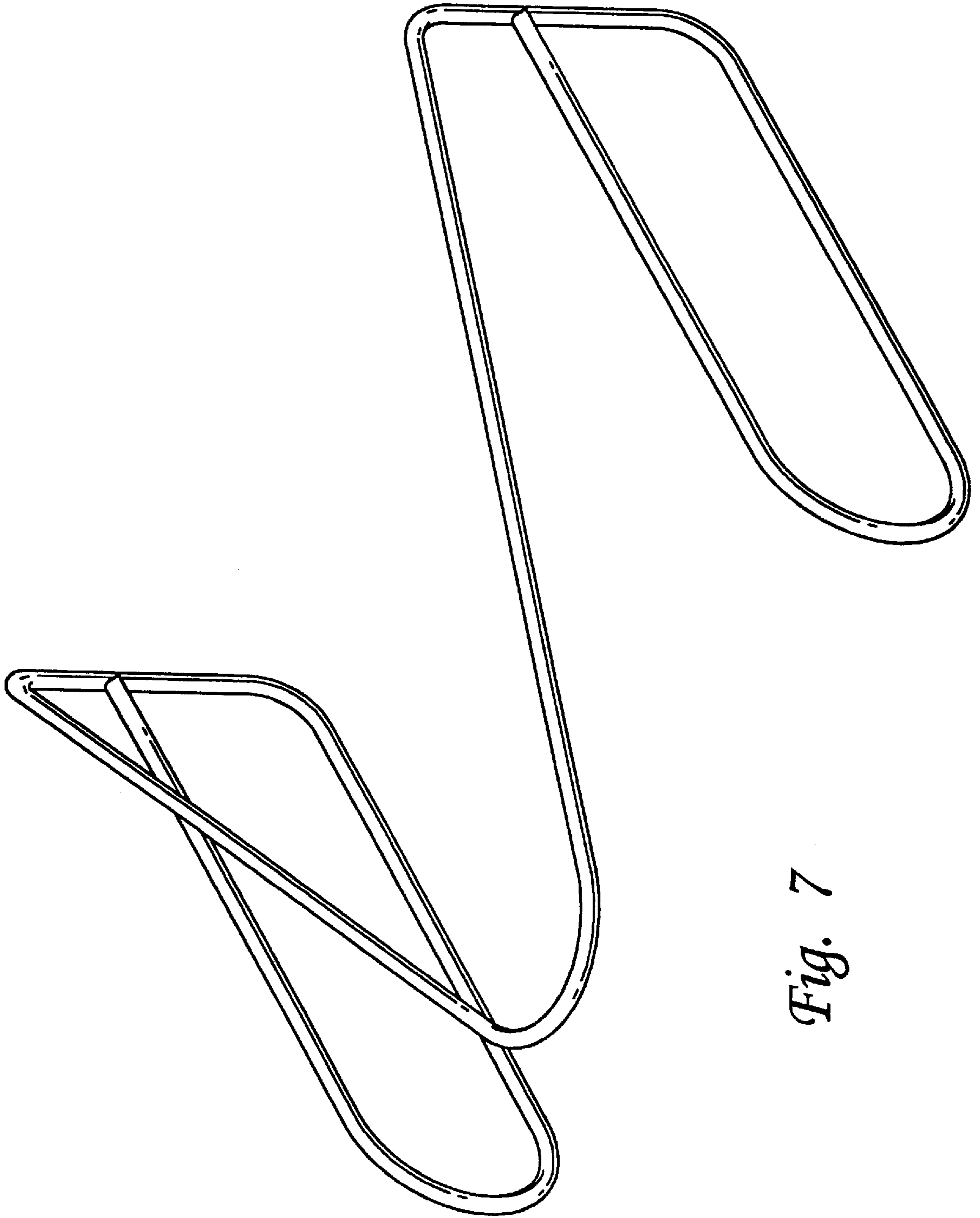
*Fig. 3*



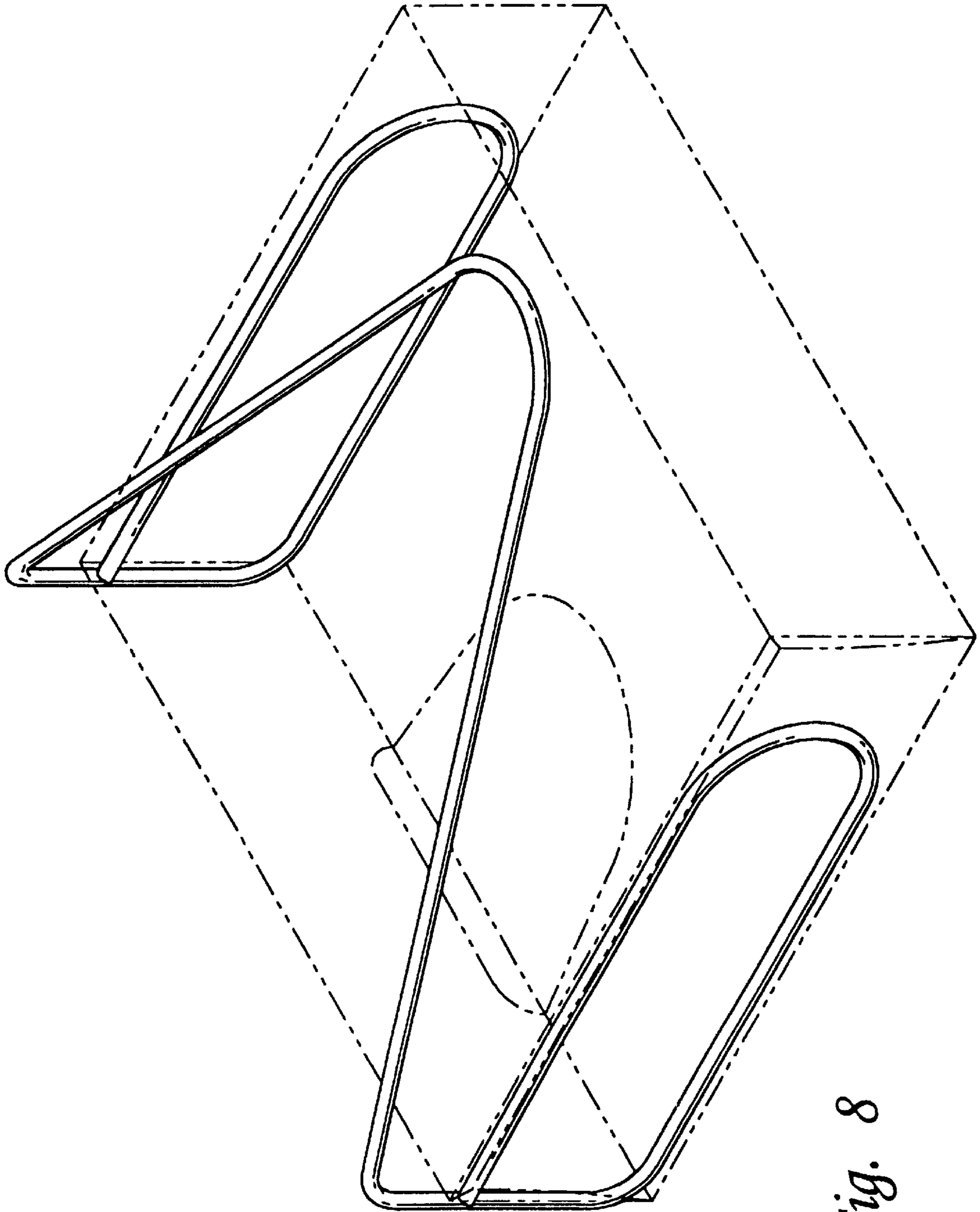
*Fig. 5*



*Fig. 6*



*Fig. 7*



*Fig. 8*