



US00D419345S

# United States Patent [19]

Dumont et al.

[11] Patent Number: **Des. 419,345**

[45] Date of Patent: **\*\* Jan. 25, 2000**

[54] **PILL DISPENSER**

[75] Inventors: **Richard R. Dumont; Joseph W. Jarosz**, both of Wallingford, Conn.

[73] Assignee: **Medical Equipment Development Services**, Wallingford, Conn.

[\*\*] Term: **14 Years**

[21] Appl. No.: **29/097,540**

[22] Filed: **Dec. 11, 1998**

[51] **LOC (7) Cl.** ..... **07-07**

[52] **U.S. Cl.** ..... **D6/515**

[58] **Field of Search** ..... D6/515-517; D10/2, D10/40, 41, 49; 221/66, 208, 255-56, 282-285, 286; 222/185

[56] **References Cited**

**U.S. PATENT DOCUMENTS**

D. 336,609 6/1993 Baier ..... D6/515

D. 340,603 10/1993 Ellison ..... D6/515  
D. 345,663 4/1994 Hartman et al. .... D6/515  
D. 392,481 3/1998 Perkitny ..... D6/515  
5,246,136 9/1993 Loidl .

*Primary Examiner*—Brian N. Vinson  
*Attorney, Agent, or Firm*—Dallett Hoopes

[57] **CLAIM**

The ornamental design for a pill dispenser, as shown.

**DESCRIPTION**

FIG. 1 is a perspective view of a pill dispenser showing my new design;

FIG. 2 is a top plan view;

FIG. 3 is a front elevational view;

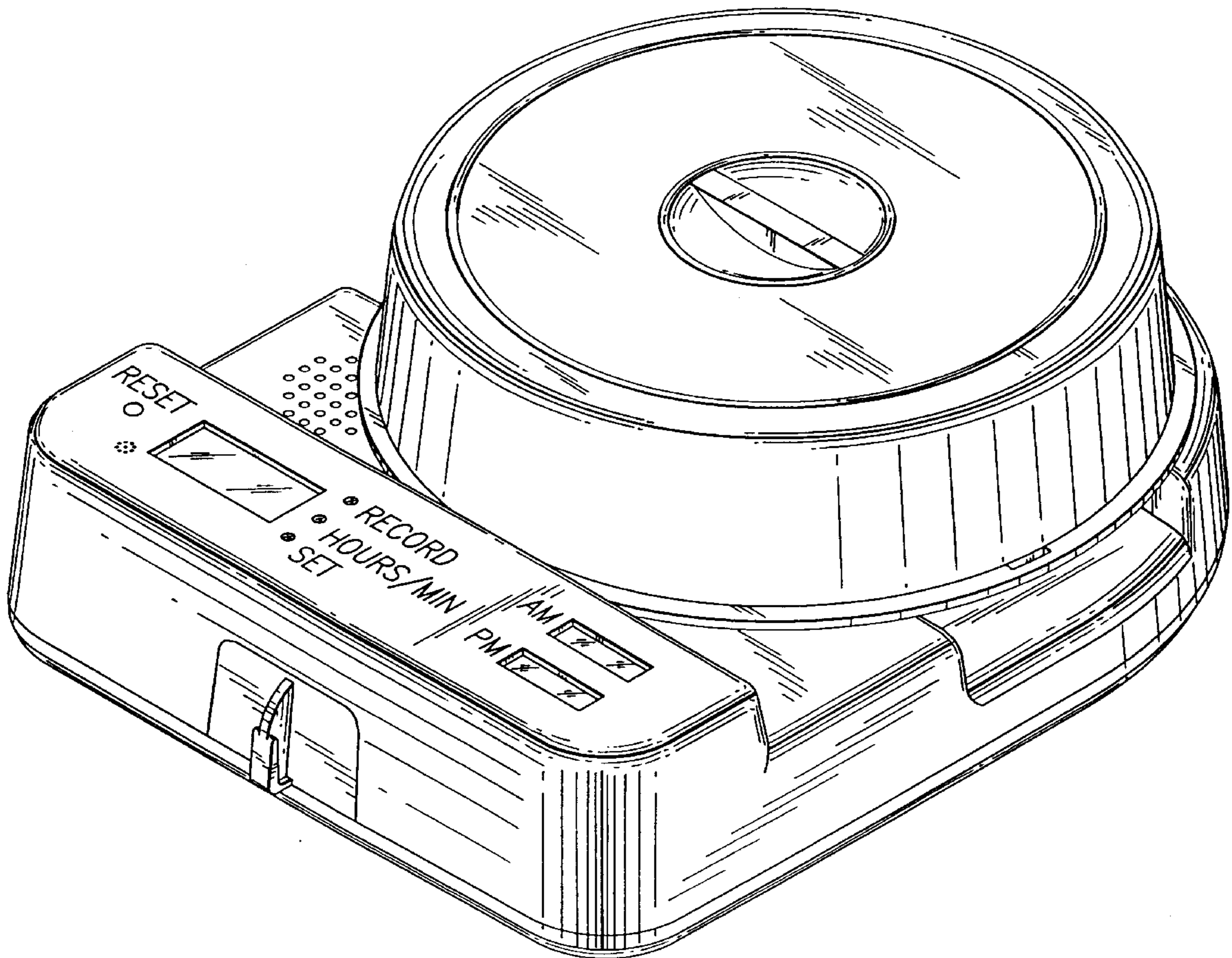
FIG. 4 is a right side elevational view;

FIG. 5 is a left side elevational view;

FIG. 6 is a rear elevational view; and,

FIG. 7 is a bottom plan view.

**1 Claim, 5 Drawing Sheets**



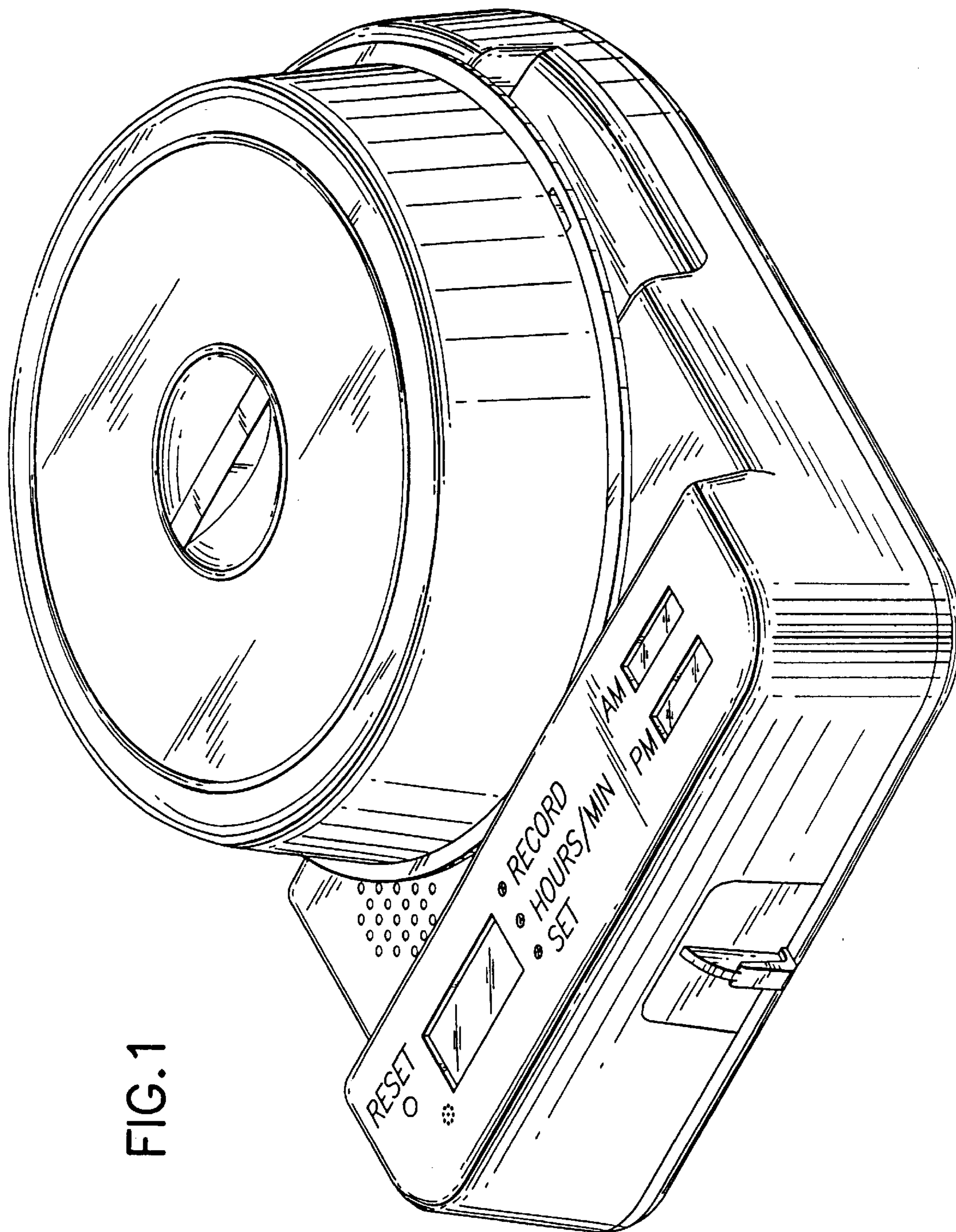


FIG.1



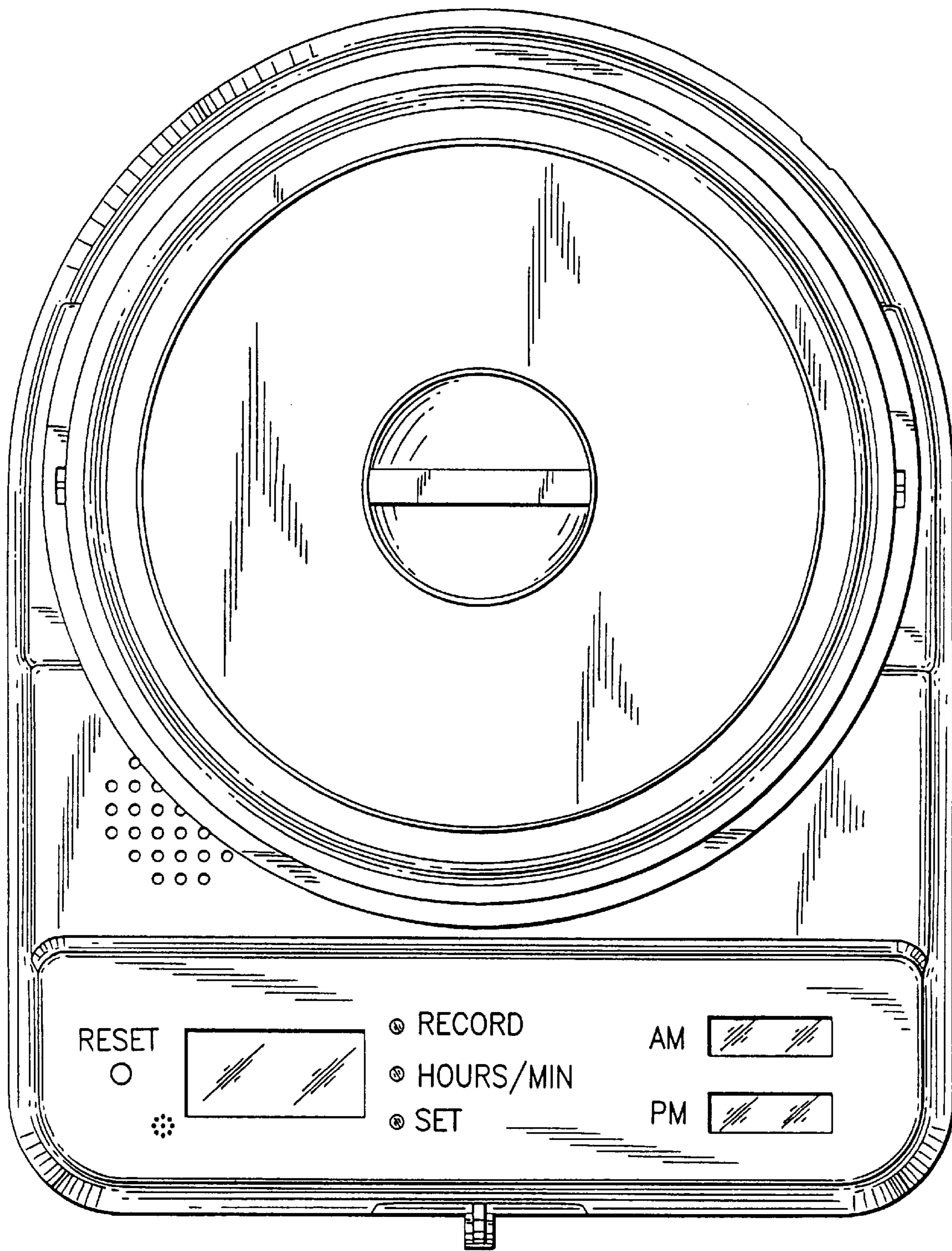


FIG.2

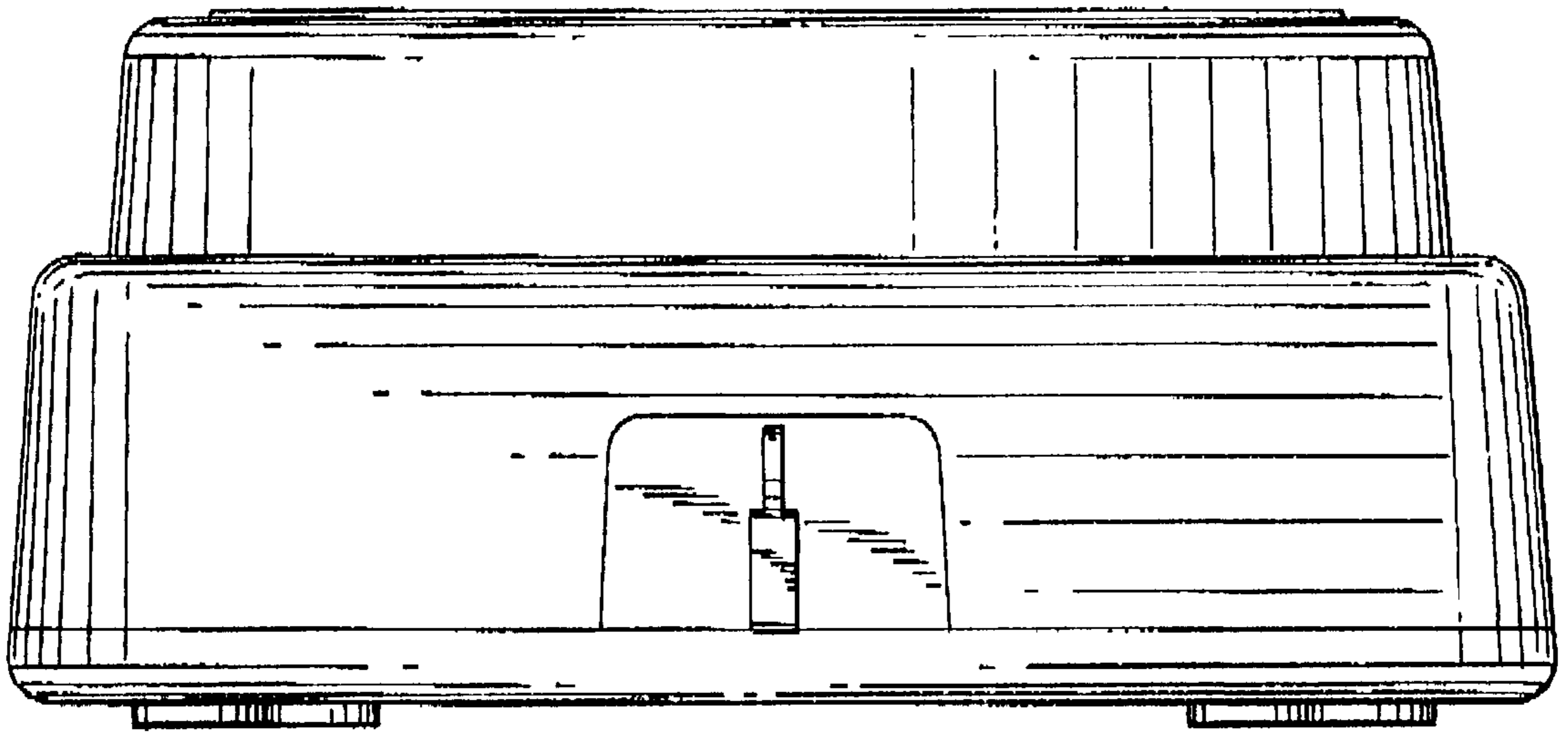


FIG. 3

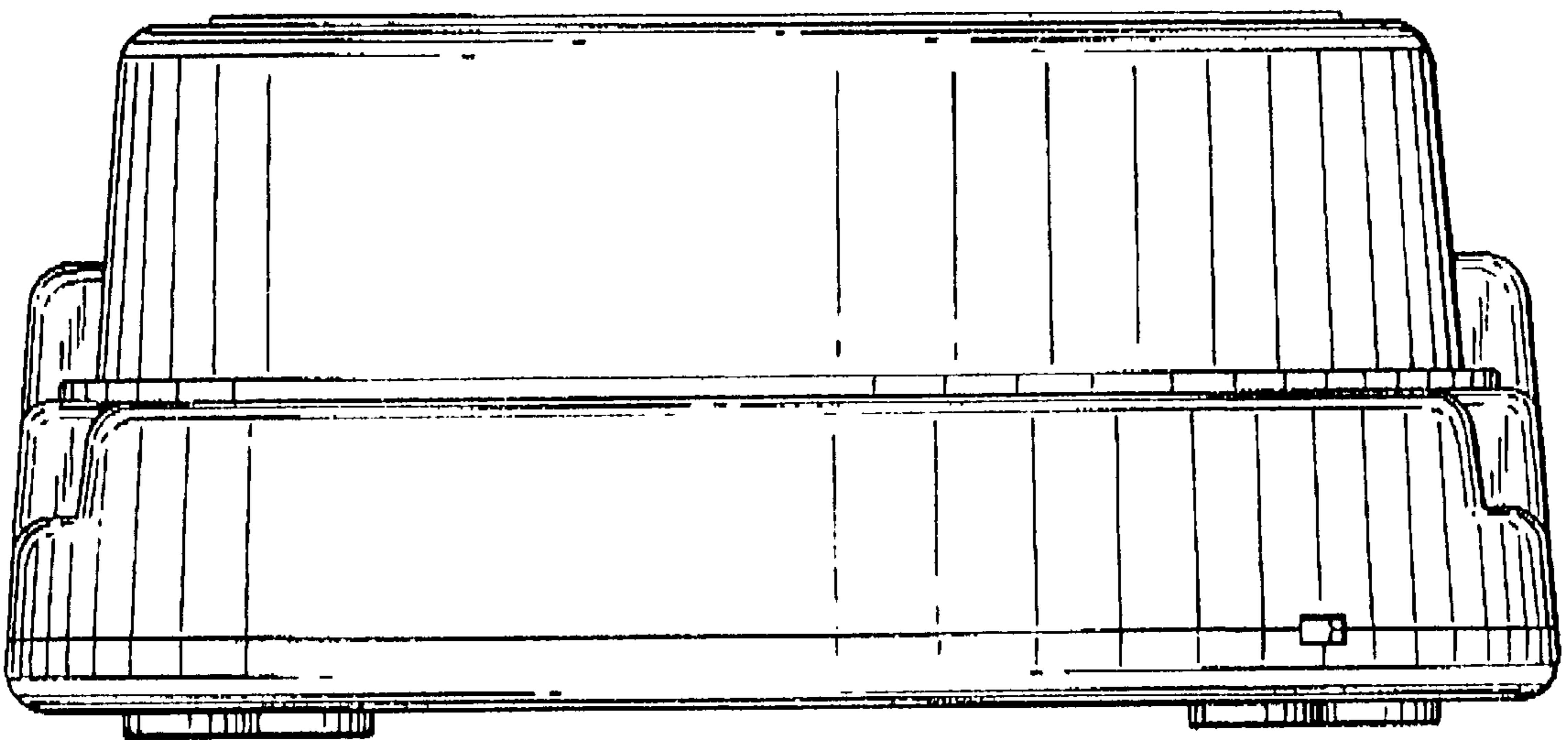


FIG. 6

FIG. 4

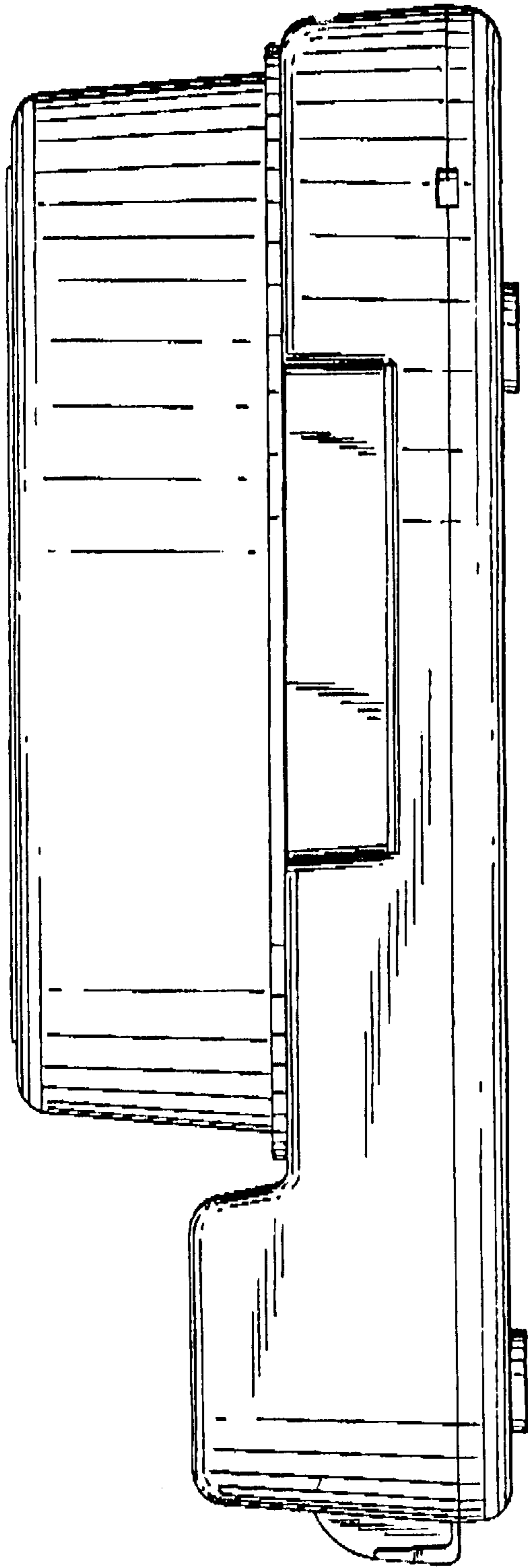
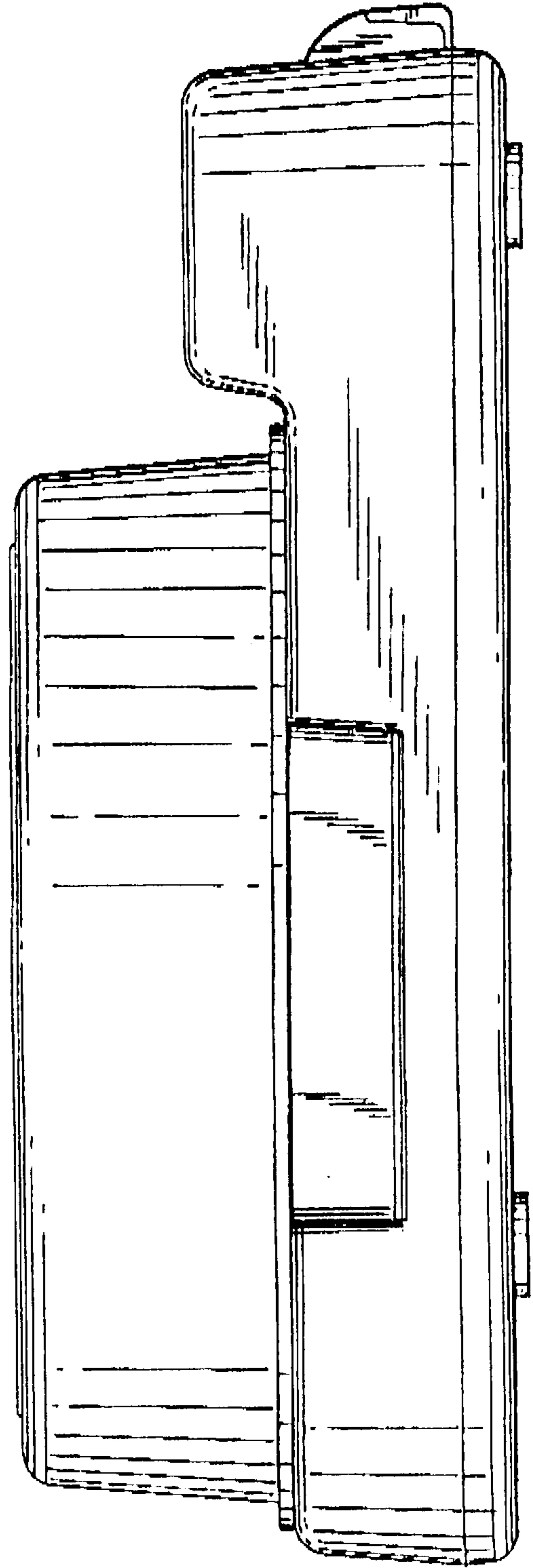


FIG. 5



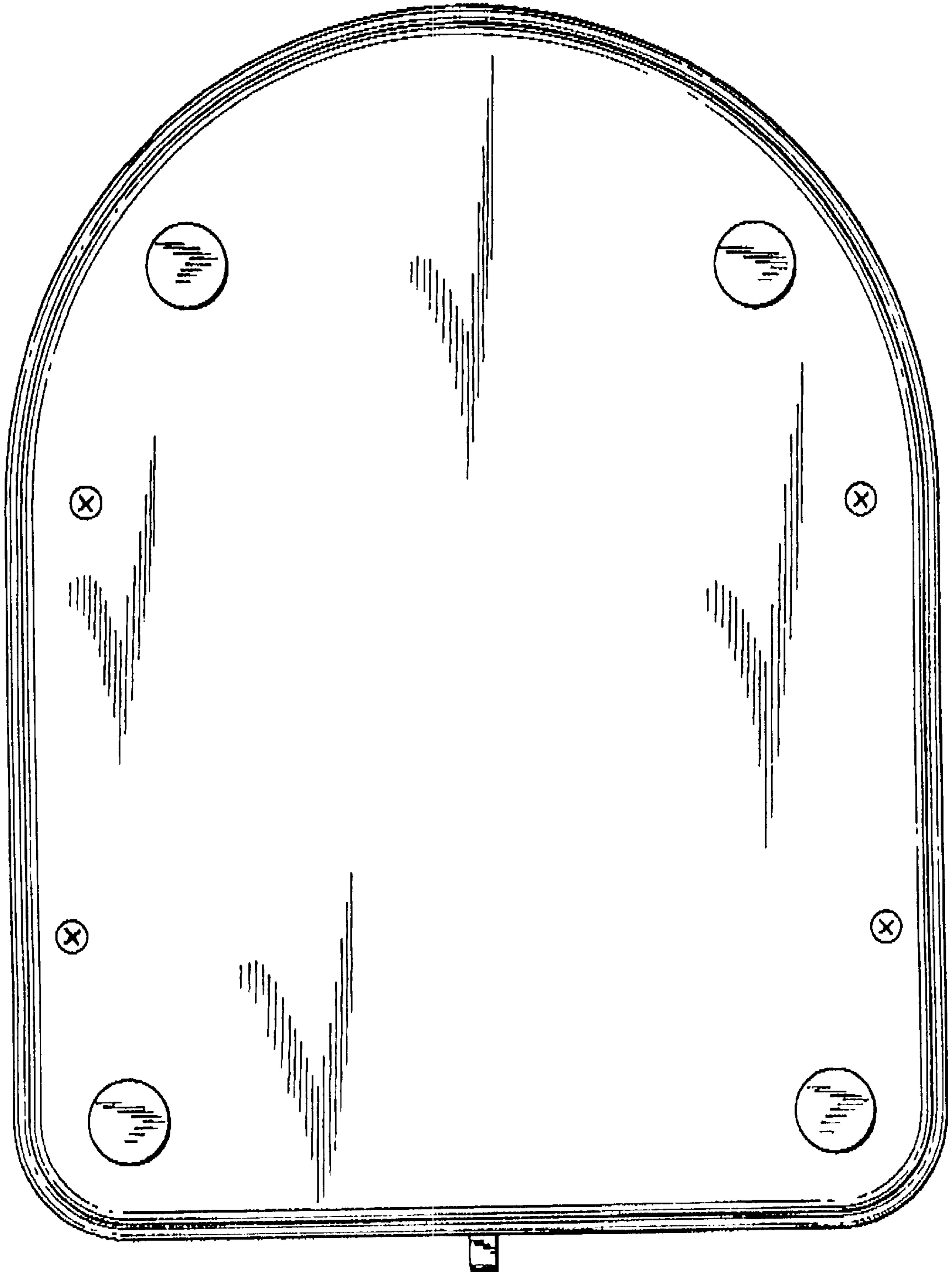


FIG.7