



US00D419344S

United States Patent [19]
Greene

[11] **Patent Number: Des. 419,344**

[45] **Date of Patent: ** Jan. 25, 2000**

[54] **COMBINED CLOSET SHELF AND HANGER BAR UNIT**

[76] Inventor: **Aubrey E. Greene**, Rte. 2, Box 106, Ellaville, Ga. 31816

[**] Term: **14 Years**

[21] Appl. No.: **29/090,576**

[22] Filed: **Jul. 10, 1998**

[51] **LOC (7) Cl.** **06-04**

[52] **U.S. Cl.** **D6/511**

[58] **Field of Search** D6/509-511, 566, D6/567, 411, 574, 397, 414; 211/119.003, 123, 124, 134, 153, 181.1, 90.03, 106, 105.1; D8/367; 248/304, 340; 108/28, 29, 30, 152, 153.1, 181

[56] **References Cited**

U.S. PATENT DOCUMENTS

| | | | | |
|------------|---------|----------------|-------|-------------|
| D. 349,000 | 7/1994 | Rogers et al. | | D6/511 |
| D. 352,195 | 11/1994 | Rogers et al. | | D6/511 |
| D. 354,864 | 1/1995 | Kokenge et al. | | D6/511 |
| 5,531,416 | 7/1996 | Remmers | | 211/105.1 X |

Primary Examiner—Doris V. Coles

Assistant Examiner—Linda Brooks
Attorney, Agent, or Firm—Edwin E. Greigg; Ronald E. Greigg

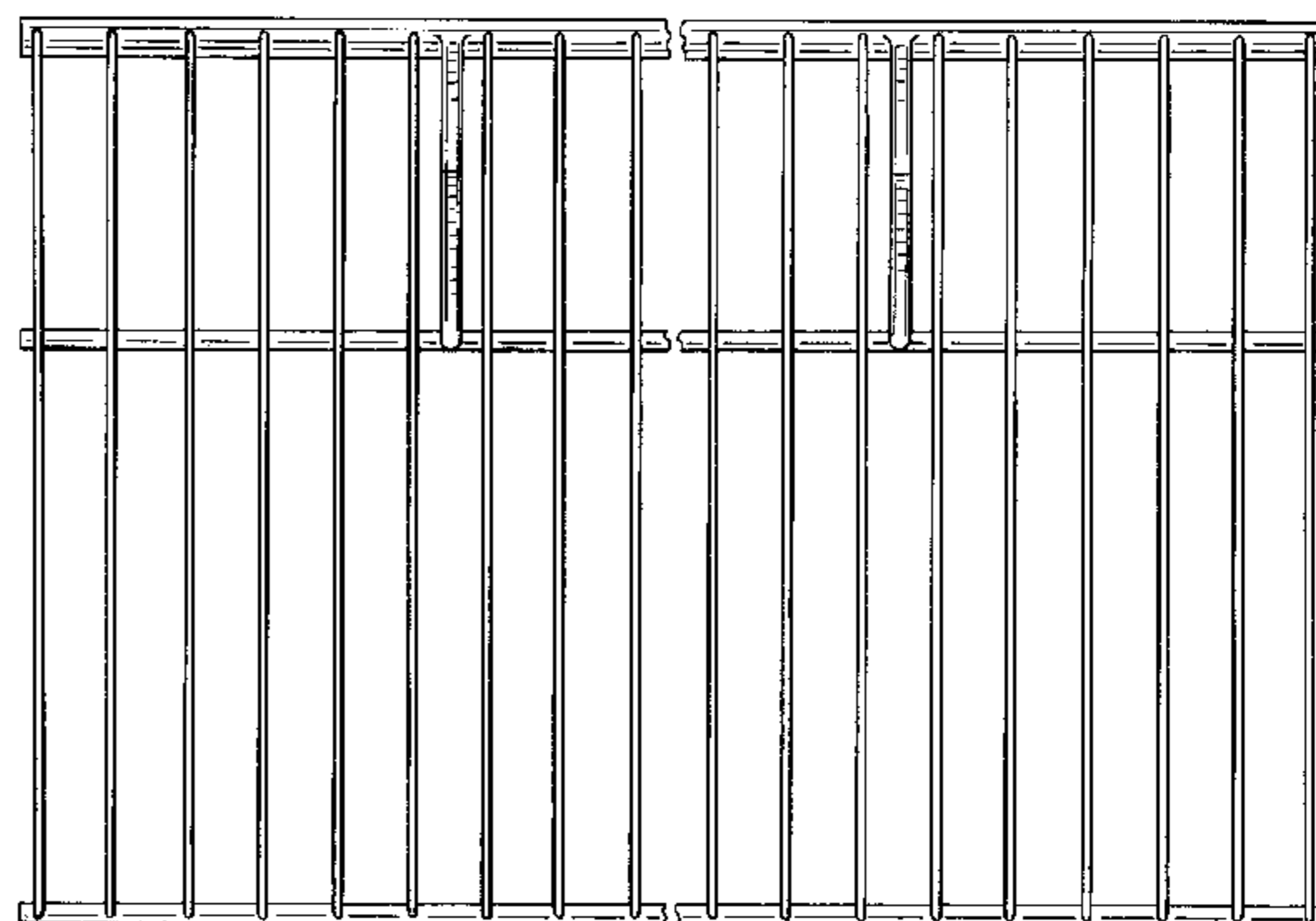
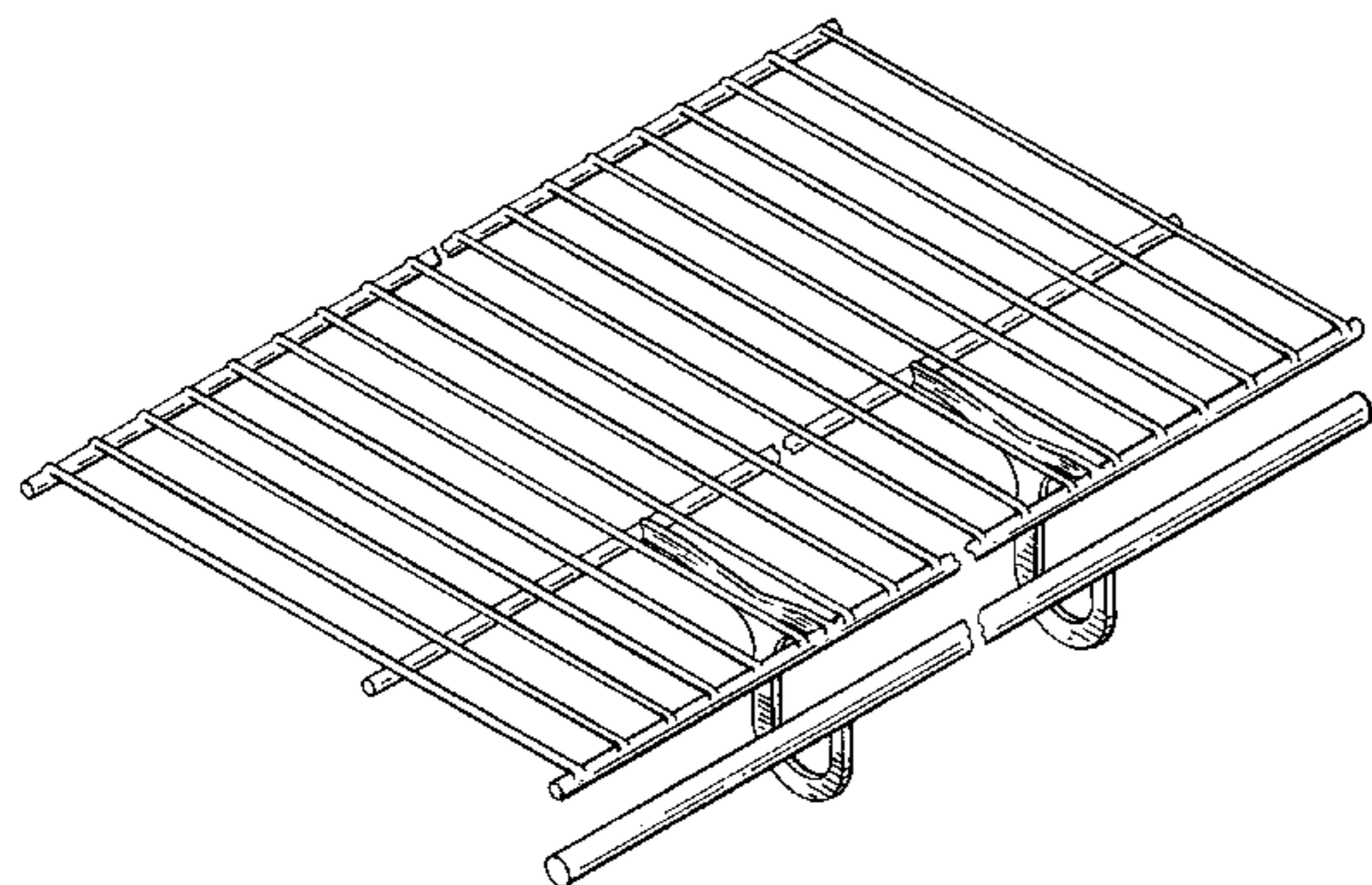
[57] **CLAIM**

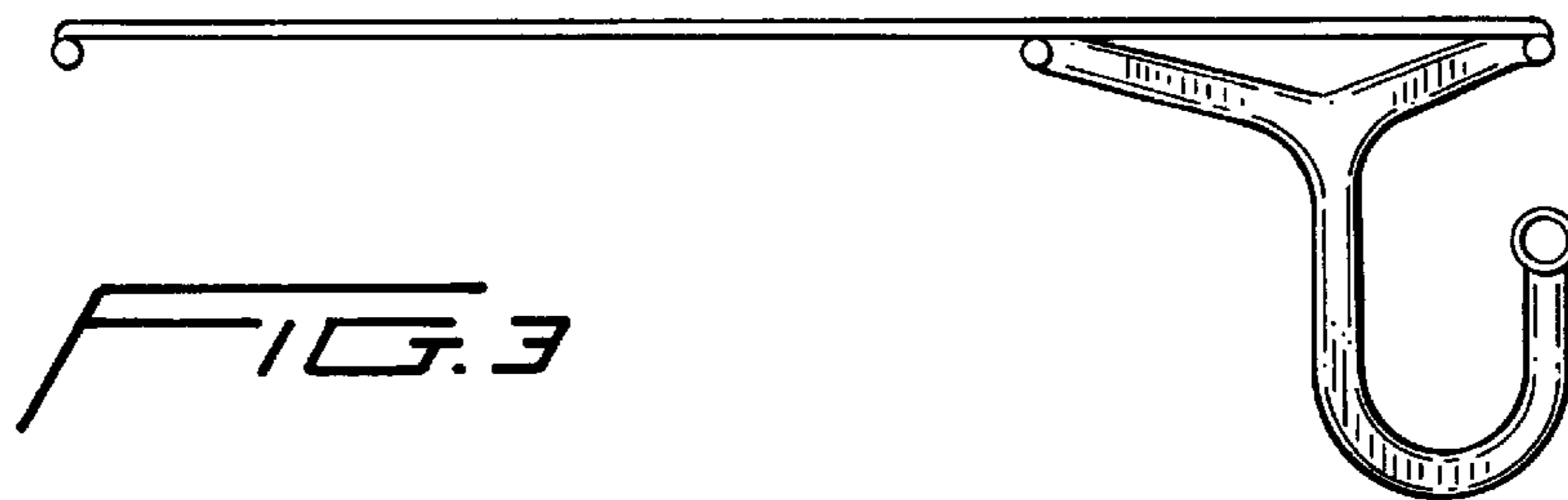
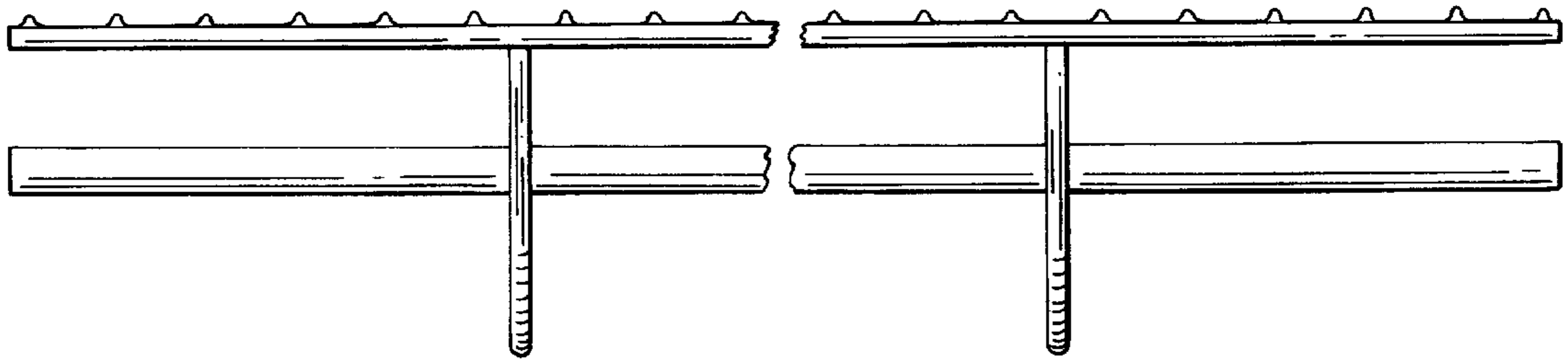
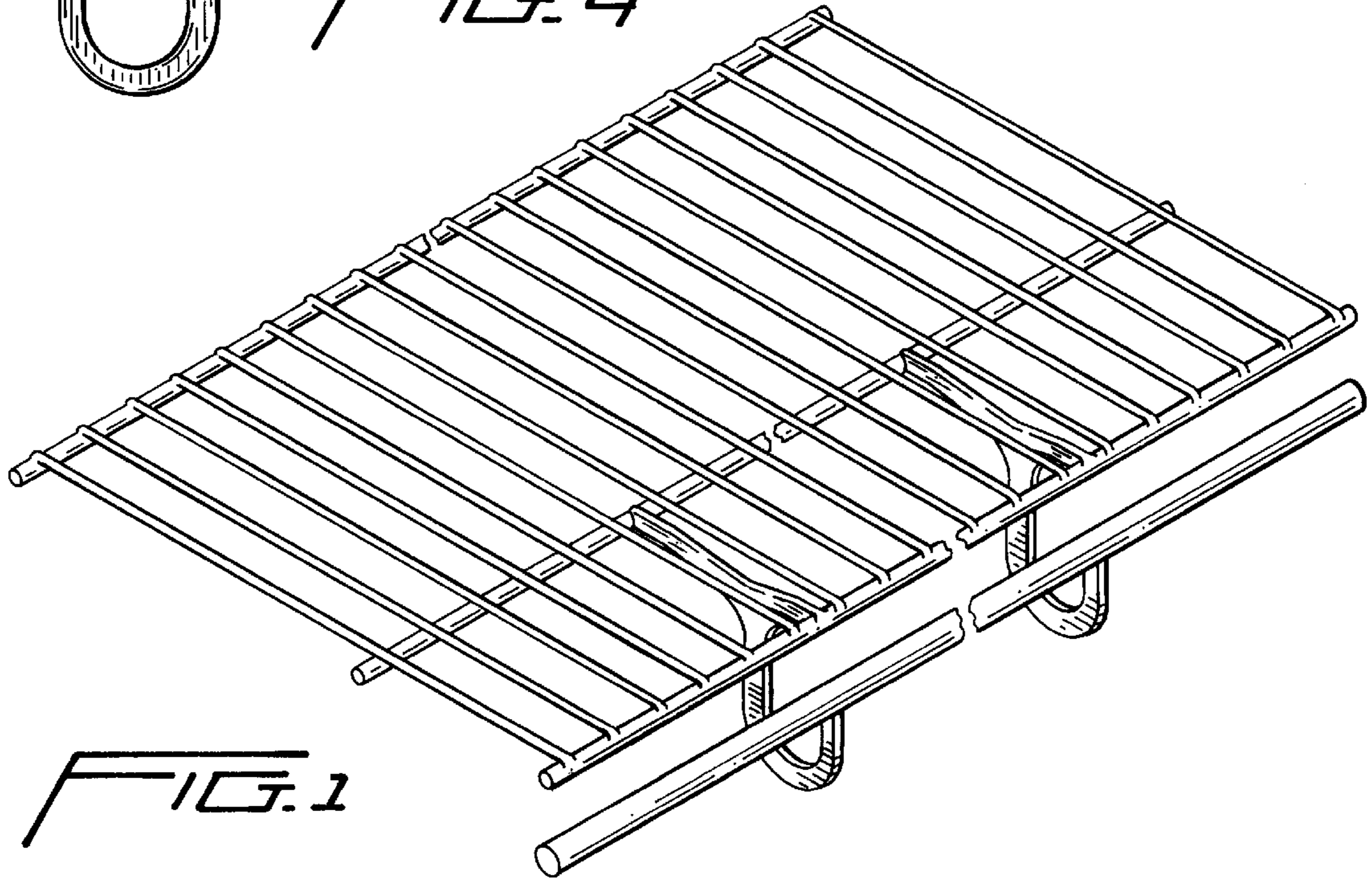
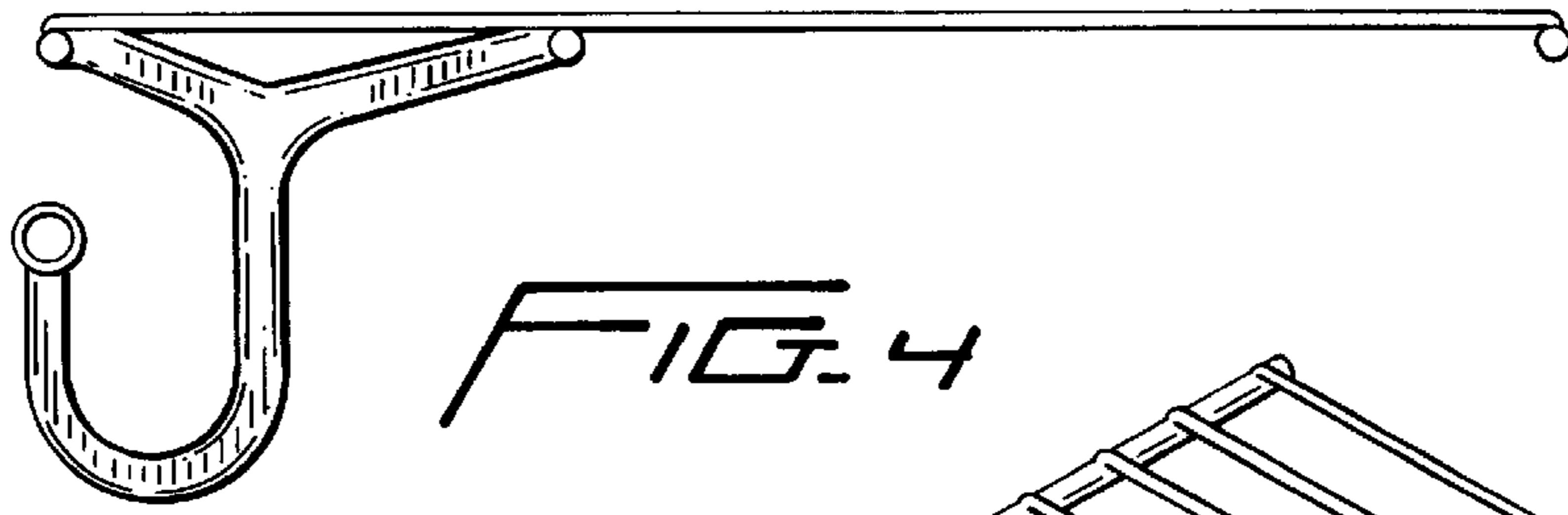
The ornamental design for a combined closet shelf and hanger bar unit, as shown and described.

DESCRIPTION

FIG. 1 is a perspective view of a combined closet shelf and hanger bar unit showing my new design; FIG. 2 is an enlarged front elevational view thereof; FIG. 3 is a right side elevational view of FIG. 2; FIG. 4 is a left side elevational view of FIG. 2; FIG. 5 is a top plan view of FIG. 2; FIG. 6 is a bottom plan view of FIG. 2; FIG. 7 is a rear elevational view of FIG. 2; FIG. 8 is a perspective view of another embodiment of my new design, the only difference being the appearance of the hangers; FIG. 9 is an enlarged right side elevational view of the second embodiment; and, FIG. 10 is a left side elevational view of FIG. 9. The combined closet shelf and hanger bar unit is shown broken away in the views to indicate indeterminate length.

1 Claim, 3 Drawing Sheets





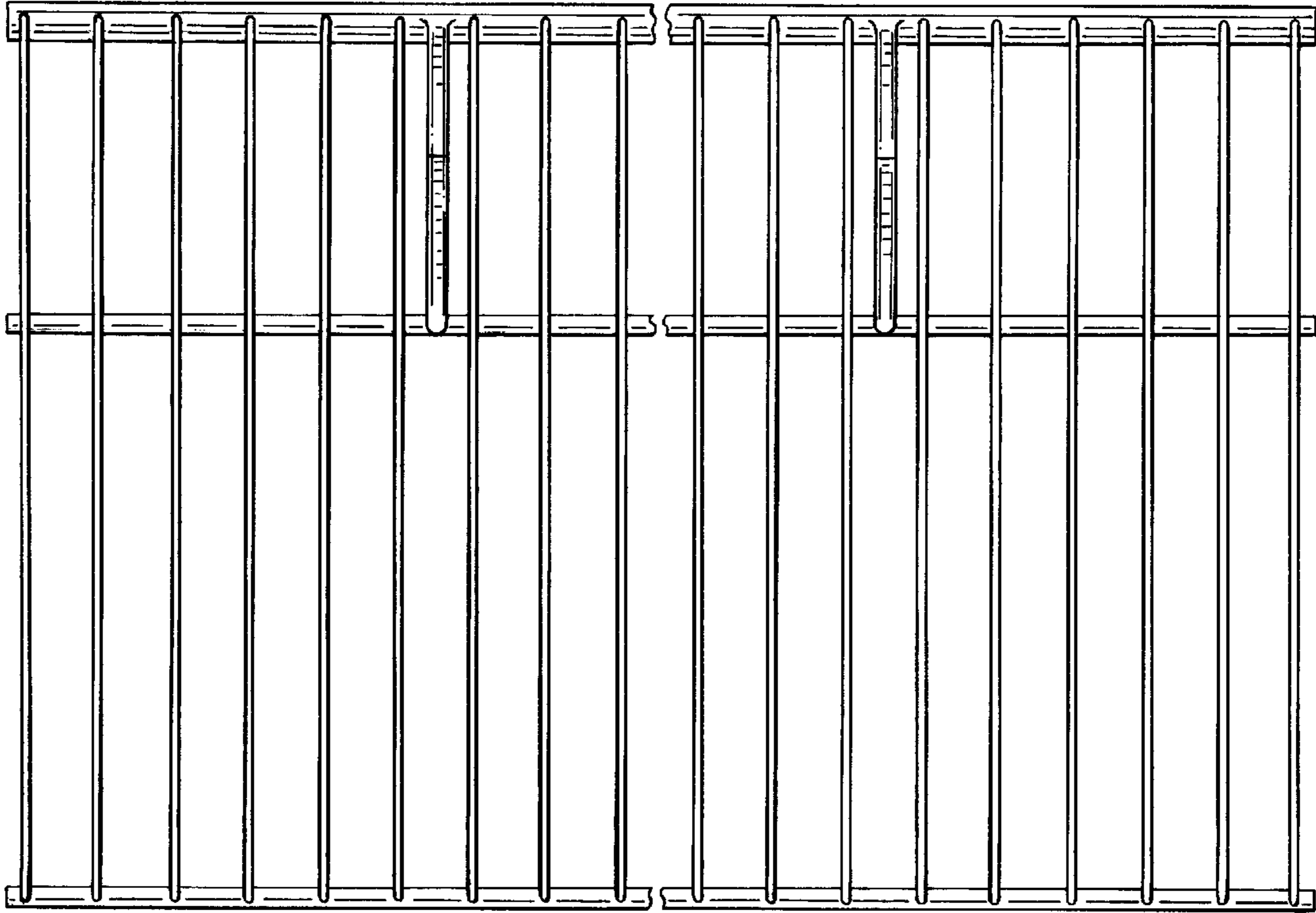
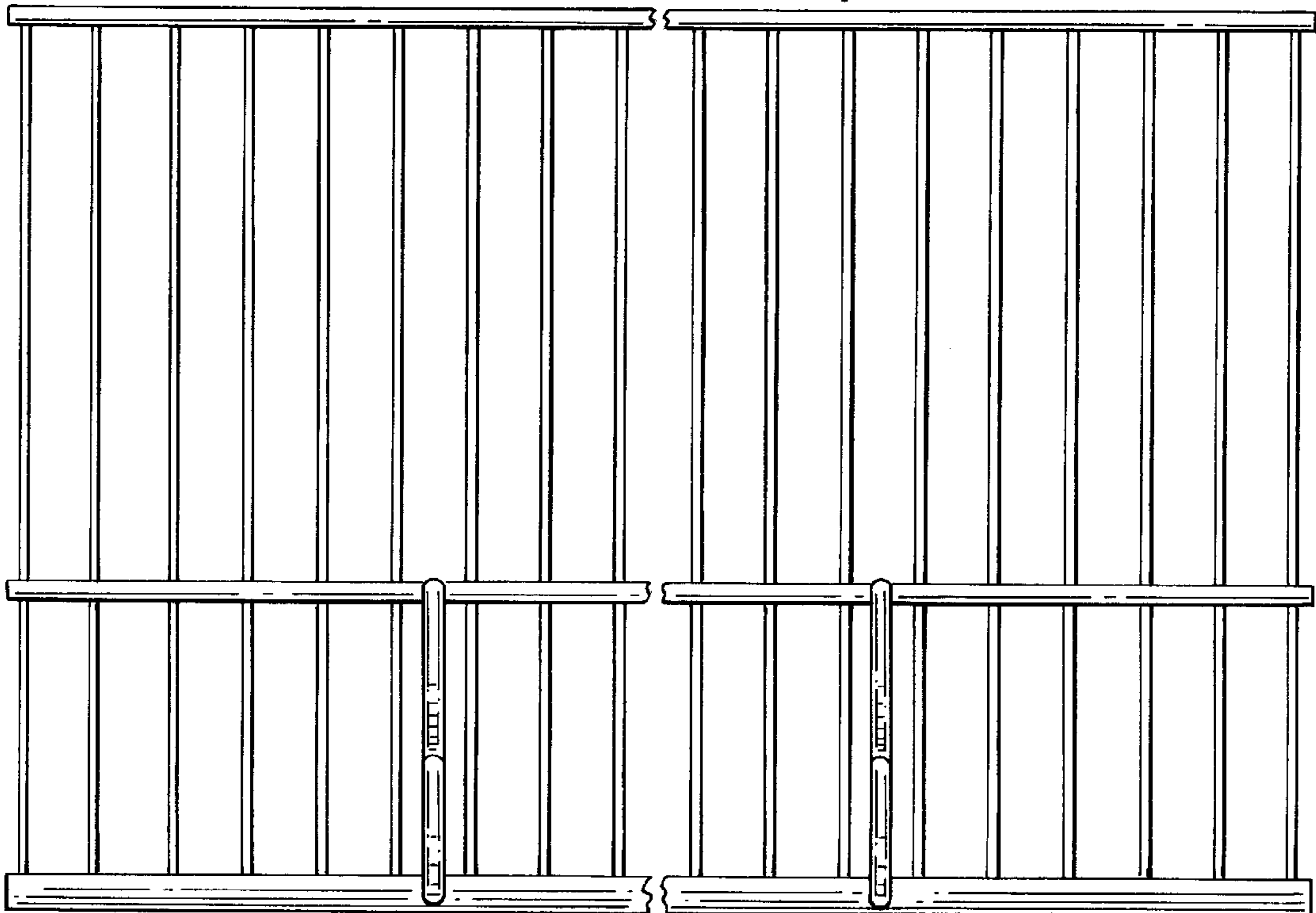


FIG. 5

FIG. 6



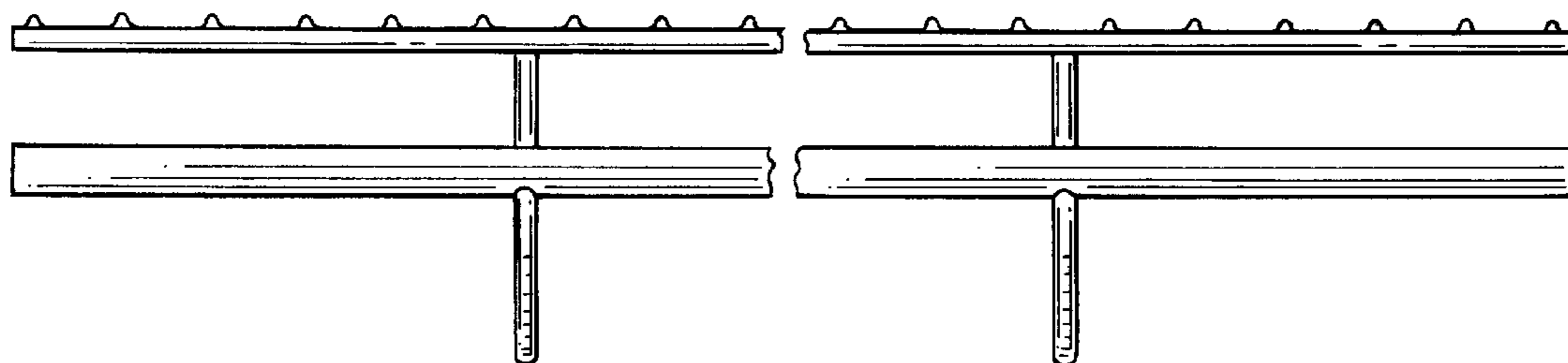


FIG. 7

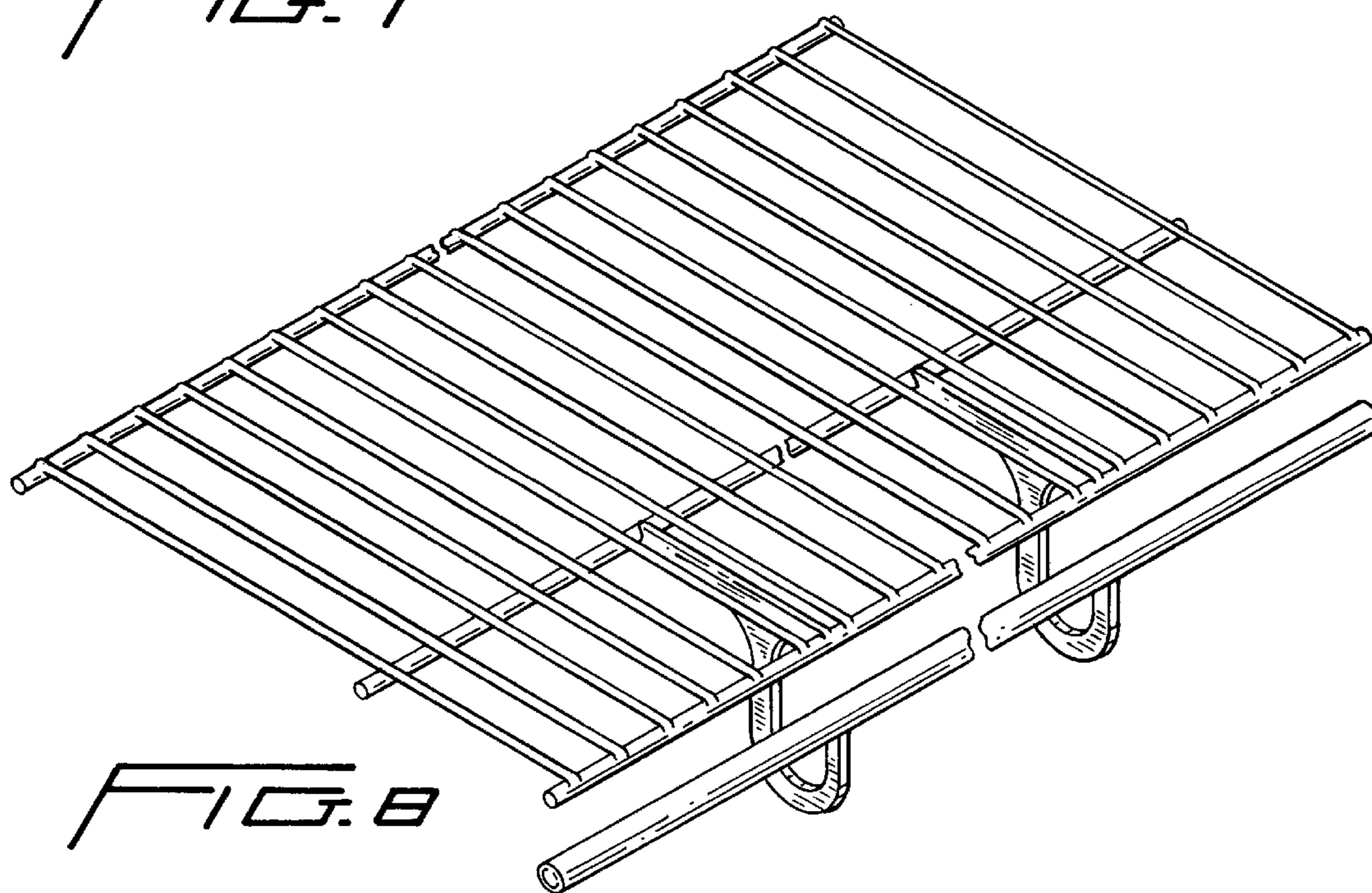


FIG. 8

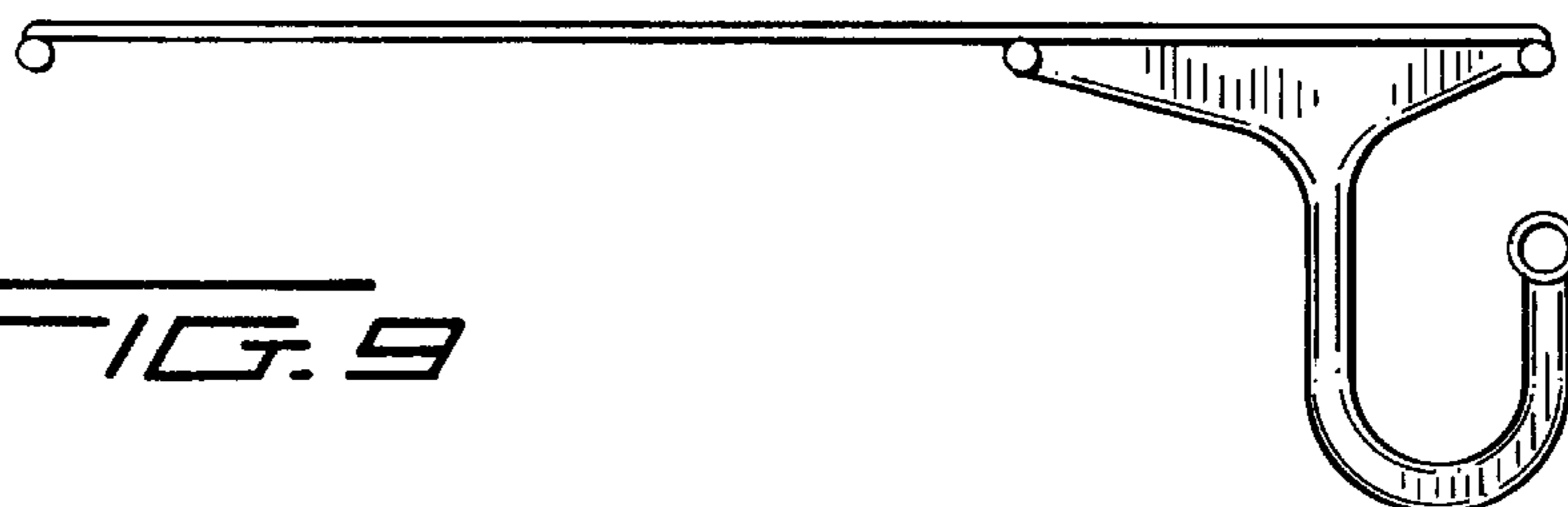


FIG. 9

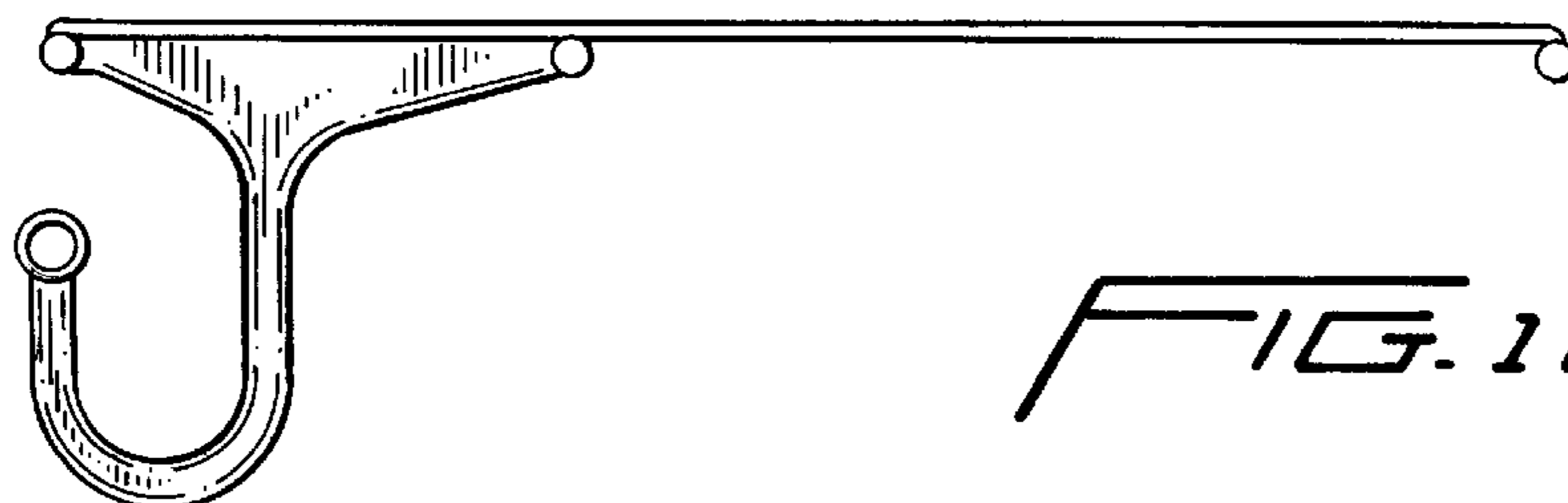


FIG. 10

UNITED STATES PATENT AND TRADEMARK OFFICE
CERTIFICATE OF CORRECTION

PATENT NO. : Des. 419,344
DATED : January 25, 2000
INVENTOR(S) : Aubrey E. Greene

It is certified that error appears in the above-identified patent and that said Letters Patent is hereby corrected as shown below:

Title page,

Under the heading "Descriptions" please change FIG. 2 and FIG. 7 as follows:

-- FIG. 2 is an enlarged rear elevational view thereof; --

-- FIG. 7 is a front elevational view of FIG. 2; --

Signed and Sealed this
Fifth Day of December, 2000

Attest:



Q. TODD DICKINSON

Attesting Officer

Director of Patents and Trademarks