



US00D419339S

United States Patent [19]

Taggert

[11] **Patent Number: Des. 419,339**

[45] **Date of Patent: ** Jan. 25, 2000**

[54] **BOOKSHELF**

1,130,096 3/1915 McSheehy 211/42 X
2,294,595 9/1942 Dice 211/43

[76] Inventor: **Roger A. Taggert**, 231-T Northpoint Ave., High Point, N.C. 27262

FOREIGN PATENT DOCUMENTS

[**] Term: **14 Years**

874788 8/1961 United Kingdom 211/42

[21] Appl. No.: **29/102,676**

Primary Examiner—Doris V. Coles

Assistant Examiner—Linda Brooks

[22] Filed: **Mar. 29, 1999**

[57] CLAIM

Related U.S. Application Data

The ornamental design for a bookshelf, as shown and described.

[62] Division of application No. 09/024,149, Feb. 17, 1998.

DESCRIPTION

[51] **LOC (7) Cl.** **06-04**

FIG. 1 is a perspective view of the front, top and right sides of the bookshelf of the present invention;

[52] **U.S. Cl.** **D6/475**

FIG. 2 is an elevational view of the right side of the bookshelf of FIG. 1, the left side being a mirror image thereof;

[58] **Field of Search** D6/466–468, 449, D6/473–476; D19/34.1; 248/254, 441.1, 445; 211/42, 43, 184

FIG. 3 is a front elevational view of the bookshelf of FIG. 1;

[56] References Cited

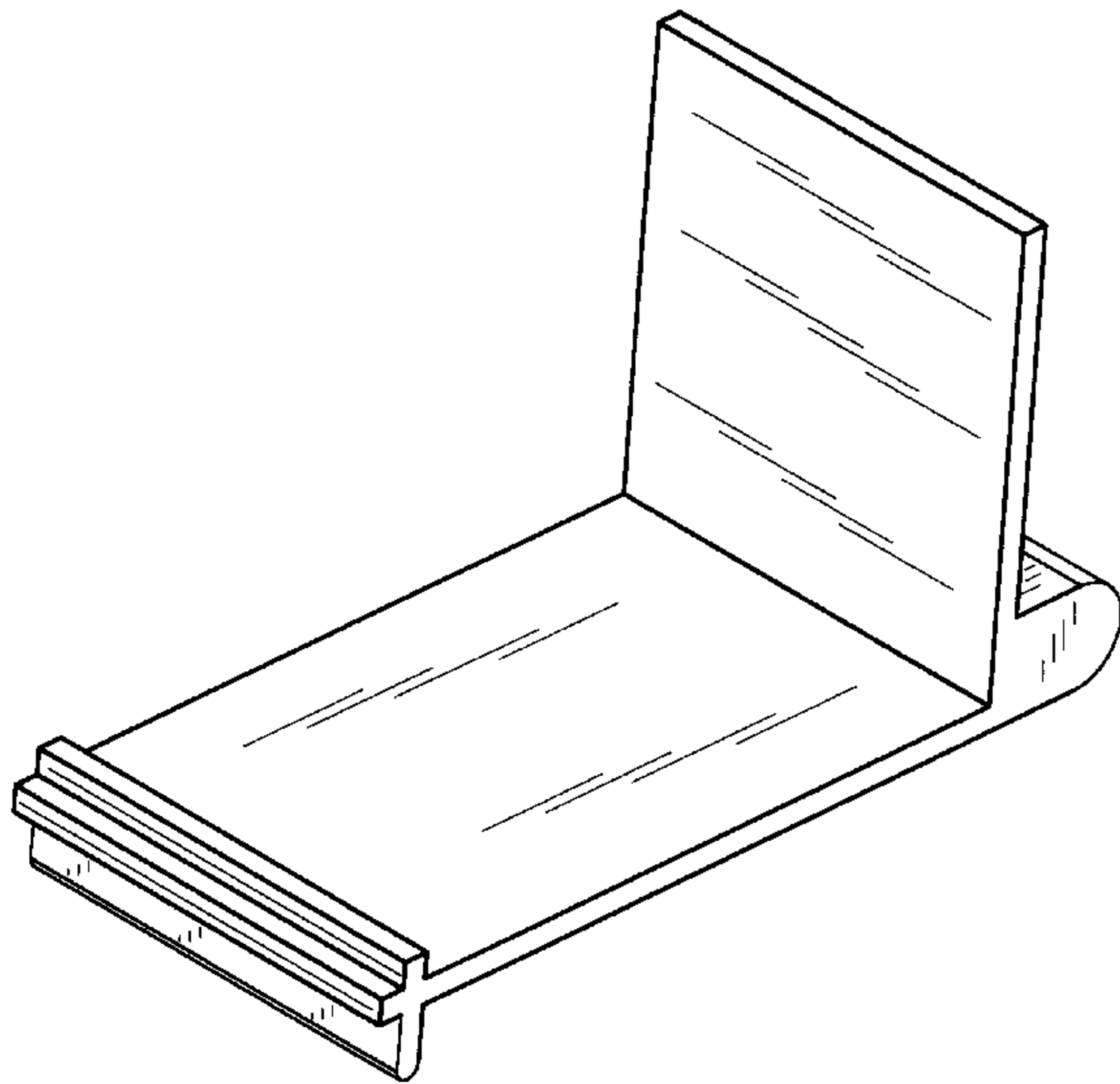
U.S. PATENT DOCUMENTS

- D. 168,423 12/1952 Schiffer D6/475
- D. 186,672 11/1959 Gilruth D6/475
- D. 199,794 12/1964 Lindley D19/34.1
- D. 282,324 1/1986 Ellis D6/475

FIG. 4 is a top plan view of the bookshelf of FIG. 1, the bottom being plain and unornamented; and,

FIG. 5 is a rear elevational view of the bookshelf of FIG. 1.

1 Claim, 4 Drawing Sheets



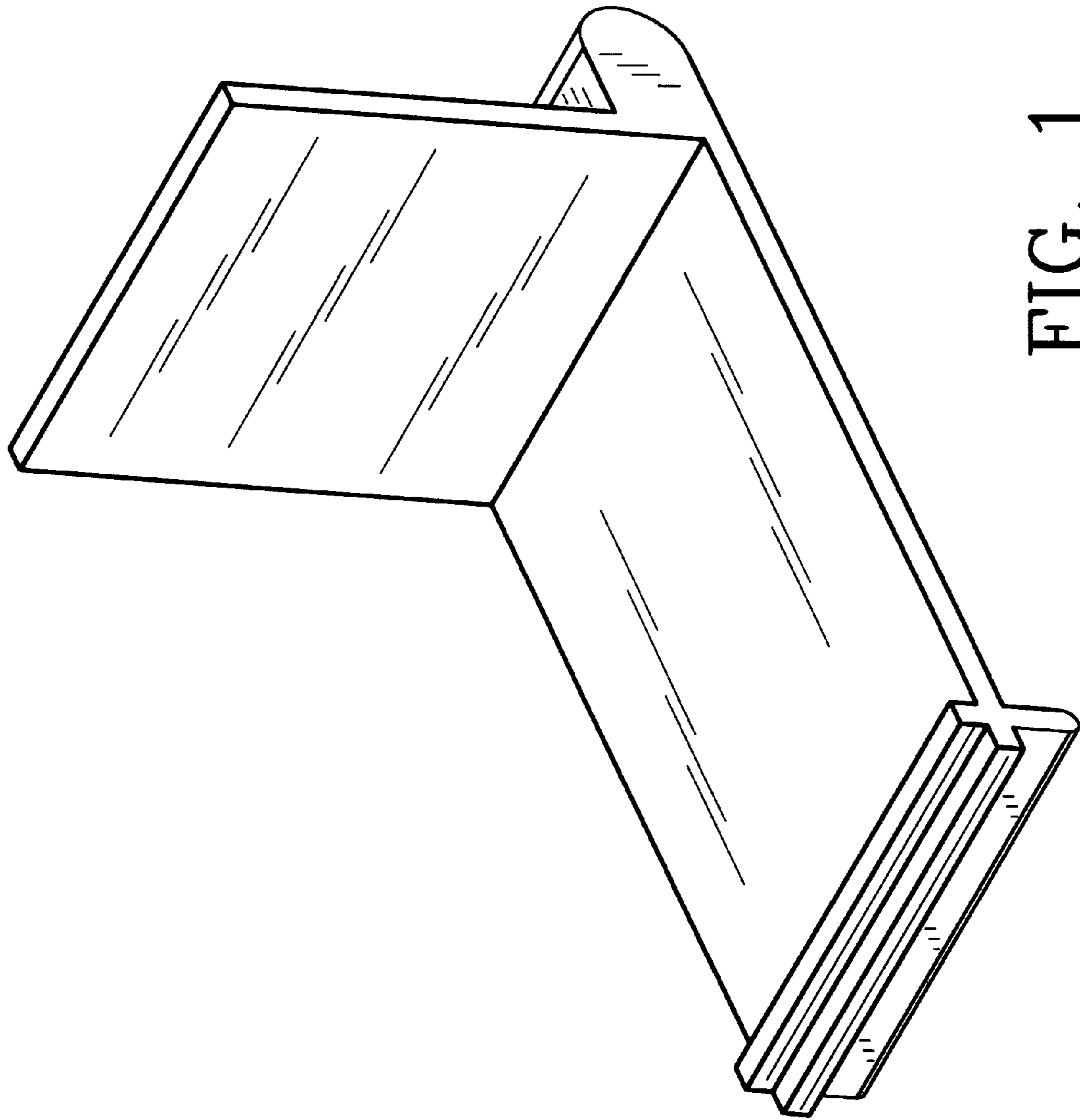


FIG. 1

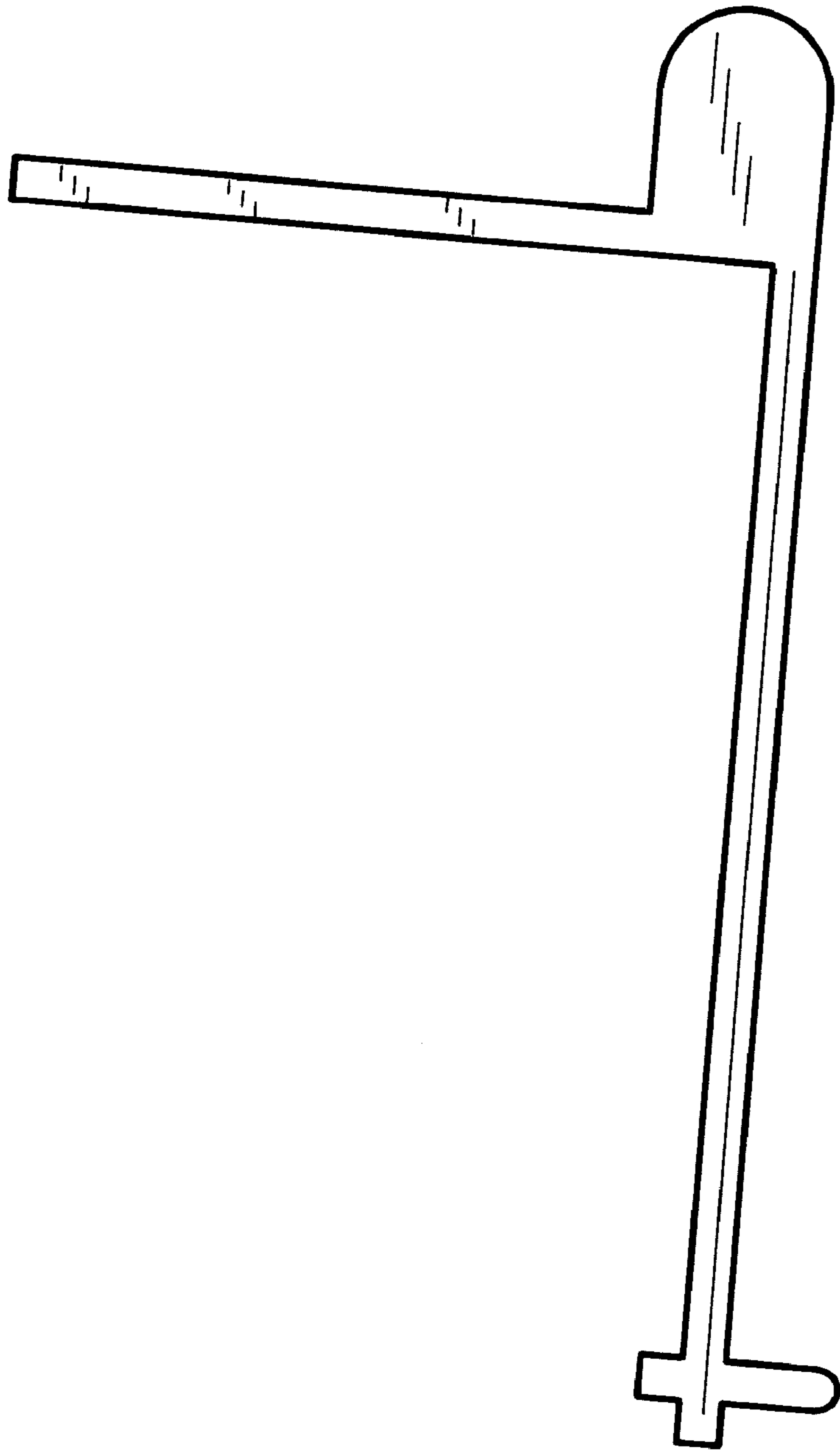


FIG. 2

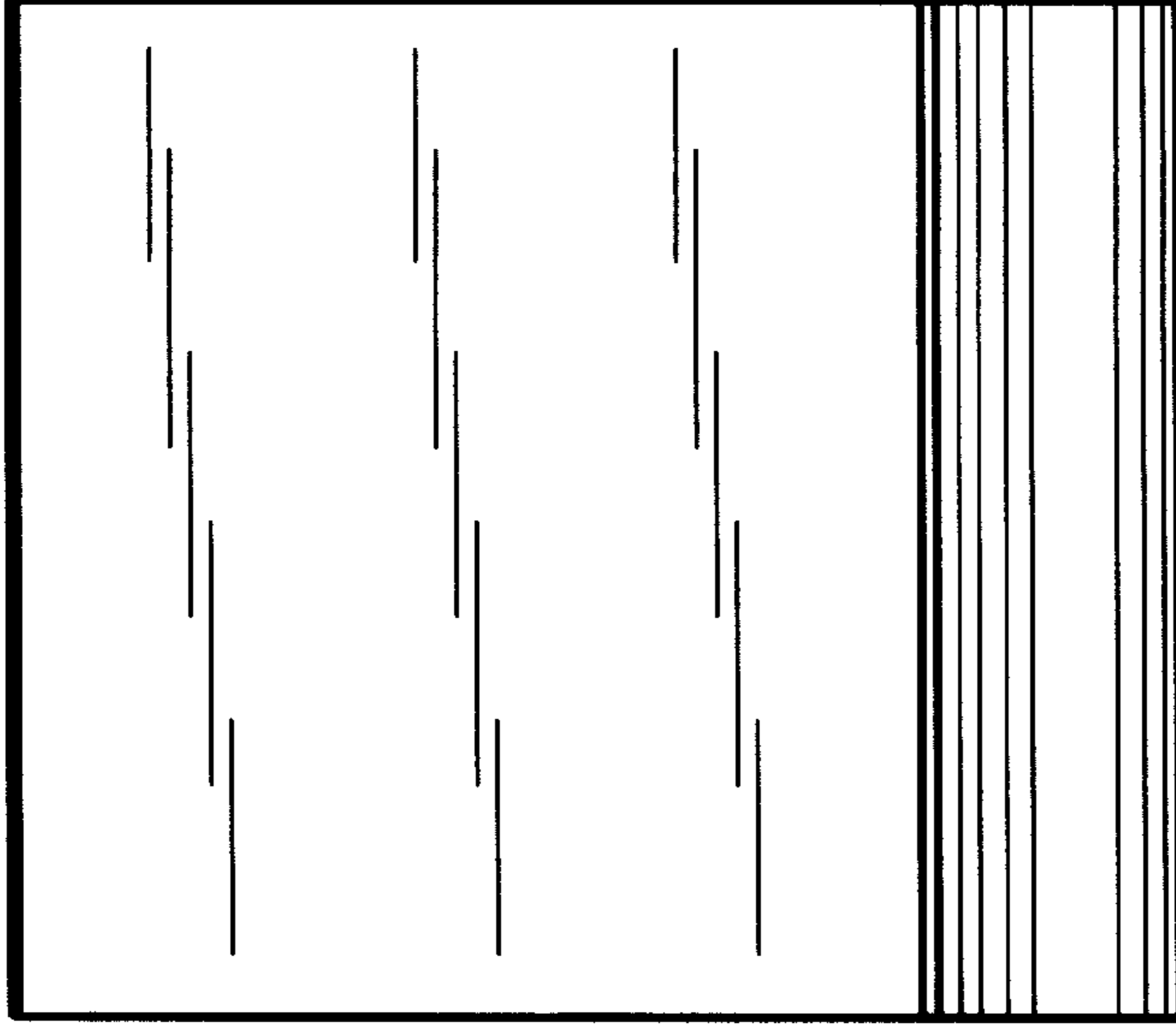


FIG. 5

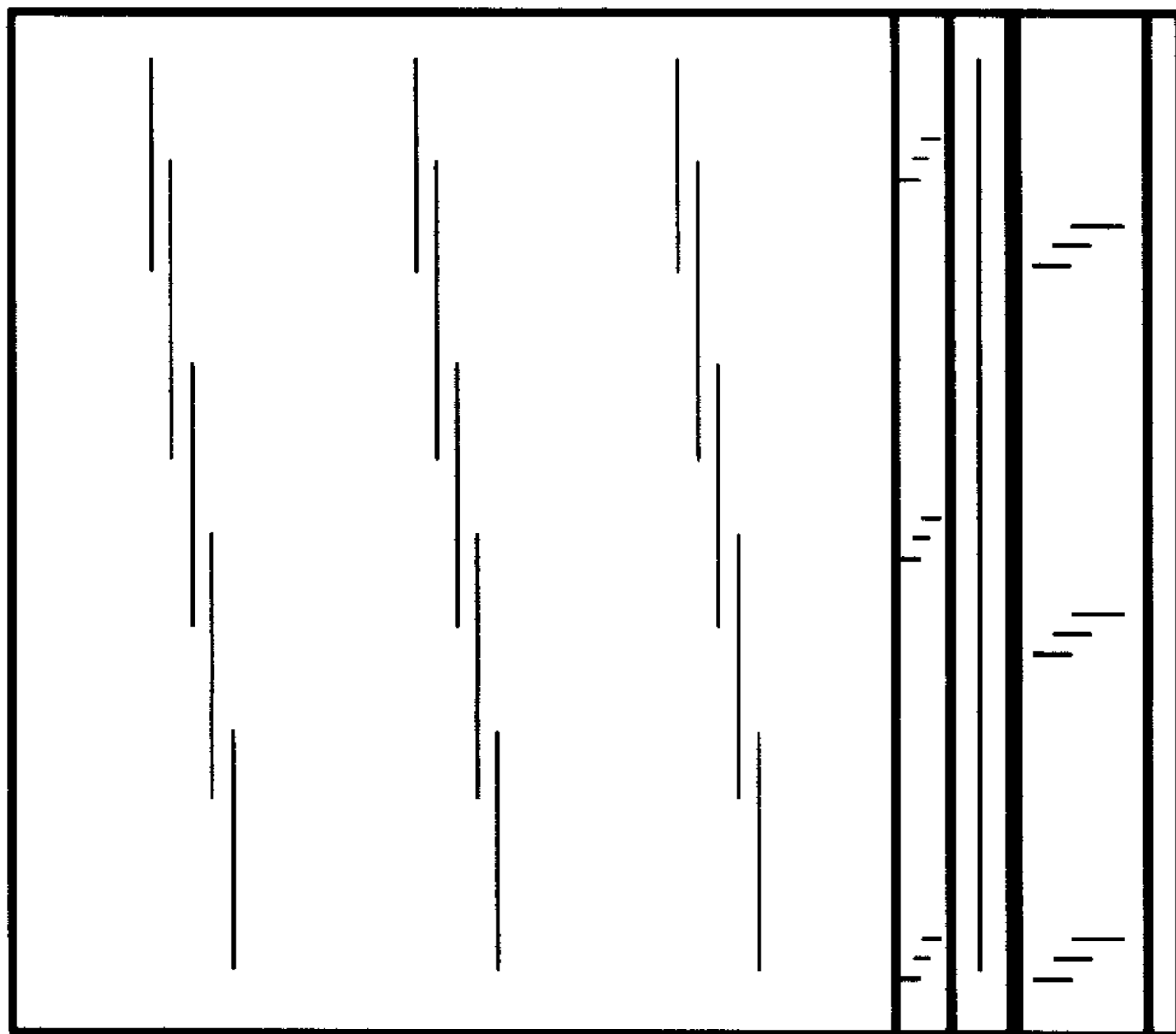


FIG. 3

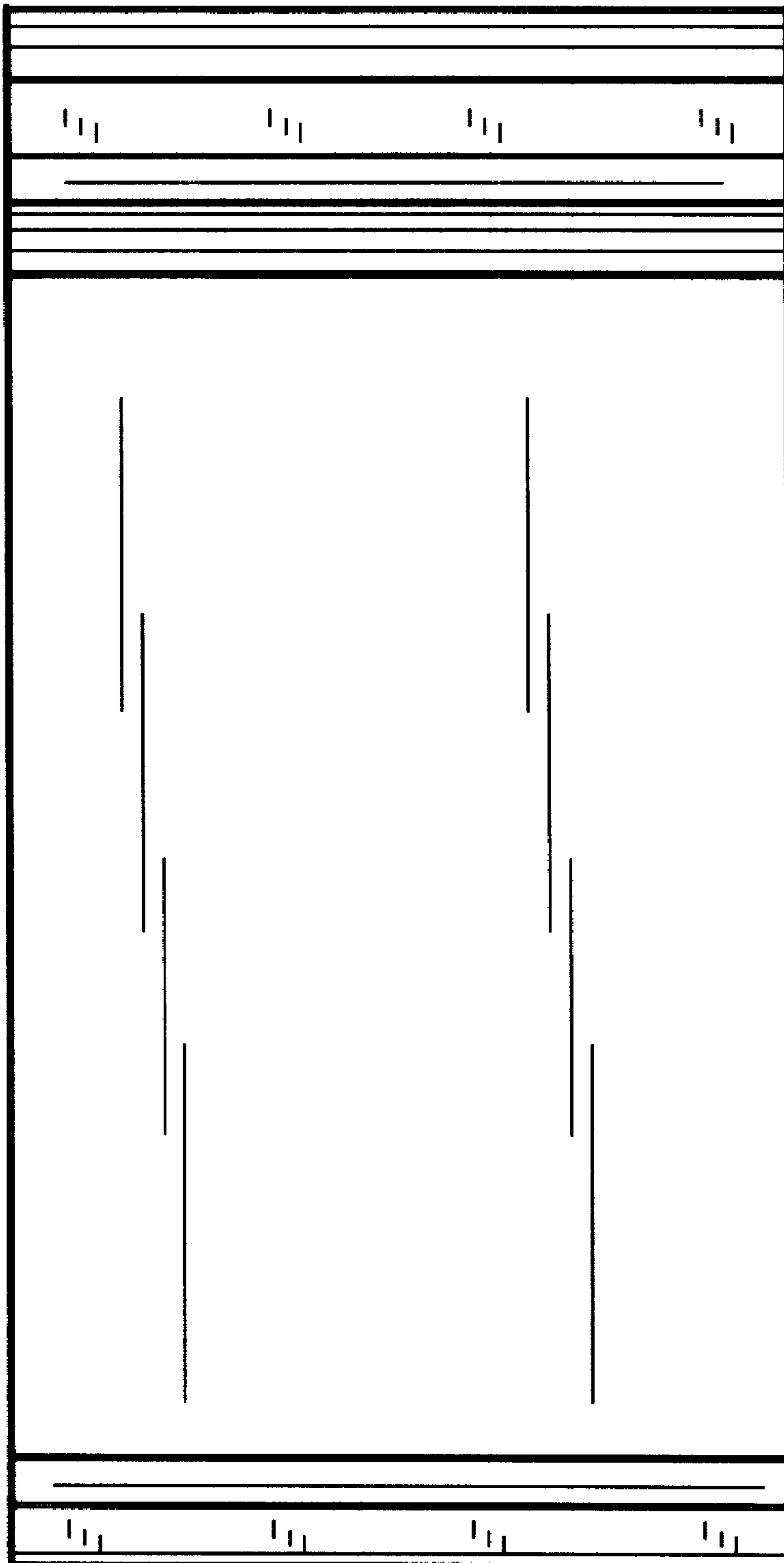


FIG. 4