



US00D419335S

# United States Patent [19] Kopala, Jr.

[11] **Patent Number: Des. 419,335**  
[45] **Date of Patent: \*\* Jan. 25, 2000**

[54] **DISPLAY RACK**

D. 329,954 10/1992 Sharon et al. .... D6/462  
1,994,195 3/1935 Hay ..... 211/181.1

[75] Inventor: **Walter W. Kopala, Jr.**, Coto de Caza, Calif.

*Primary Examiner*—Doris V. Coles  
*Assistant Examiner*—Linda Brooks  
*Attorney, Agent, or Firm*—Robert R. Thornton

[73] Assignee: **Alltrade Inc.**, Long Beach, Calif.

[\*\*] Term: **14 Years**

[57] **CLAIM**

[21] Appl. No.: **29/099,833**

The ornamental design for a display rack, as shown and described.

[22] Filed: **Jan. 28, 1999**

**DESCRIPTION**

[51] **LOC (7) Cl.** ..... **06-04**

FIG. 1 is a perspective view of a display rack showing my new design;

[52] **U.S. Cl.** ..... **D6/462**

FIG. 2 is a top plan view thereof;

[58] **Field of Search** ..... D6/462-468, 475,  
D6/476; D20/43; 211/10, 11, 44, 89.26,  
181.1, 182

FIG. 3 is a front elevational view thereof, the rear elevation being a mirror image thereof;

FIG. 4 is a bottom plan view thereof; and,

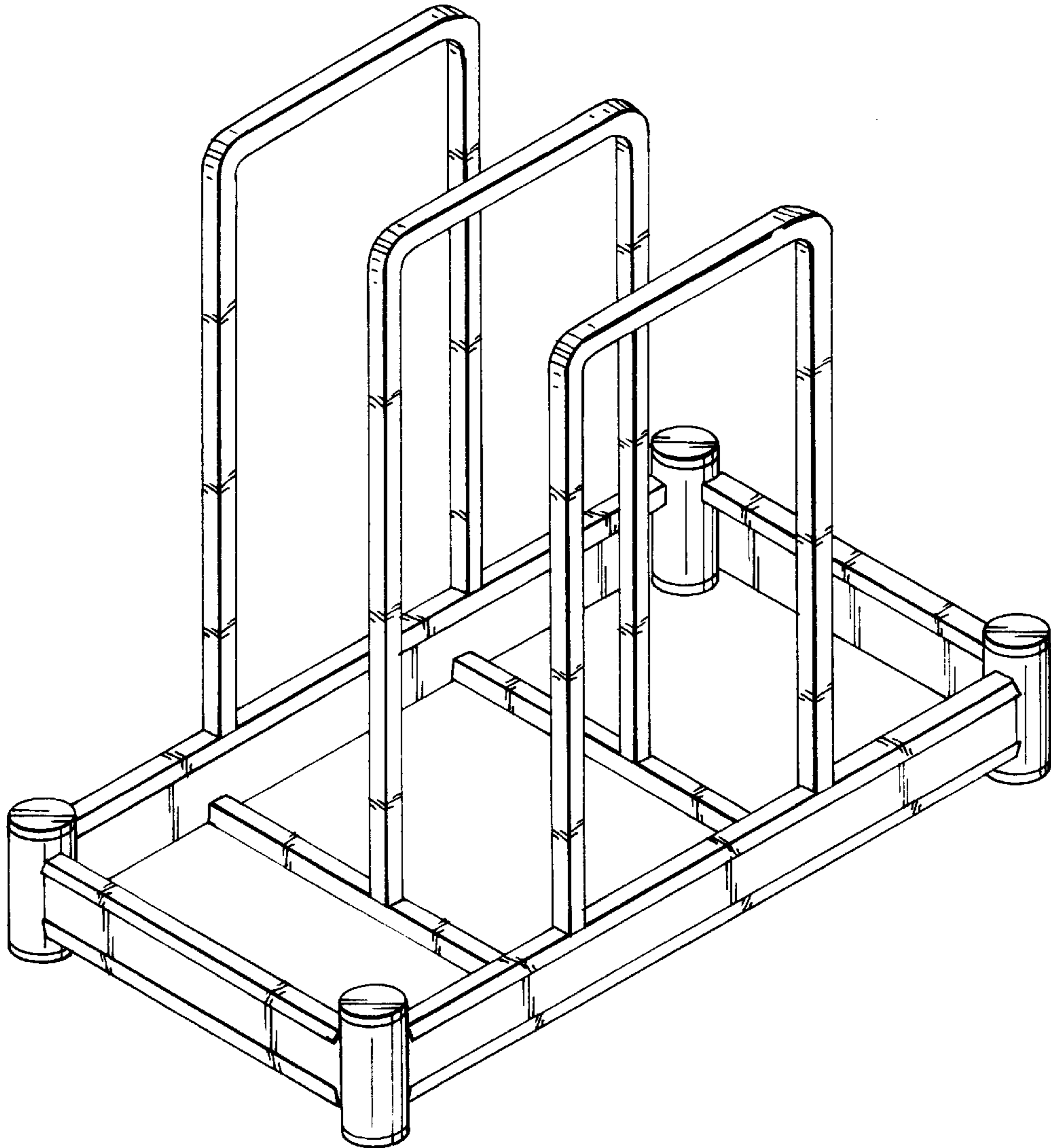
FIG. 5 is a left side elevational view thereof, the right side elevation being a mirror image thereof.

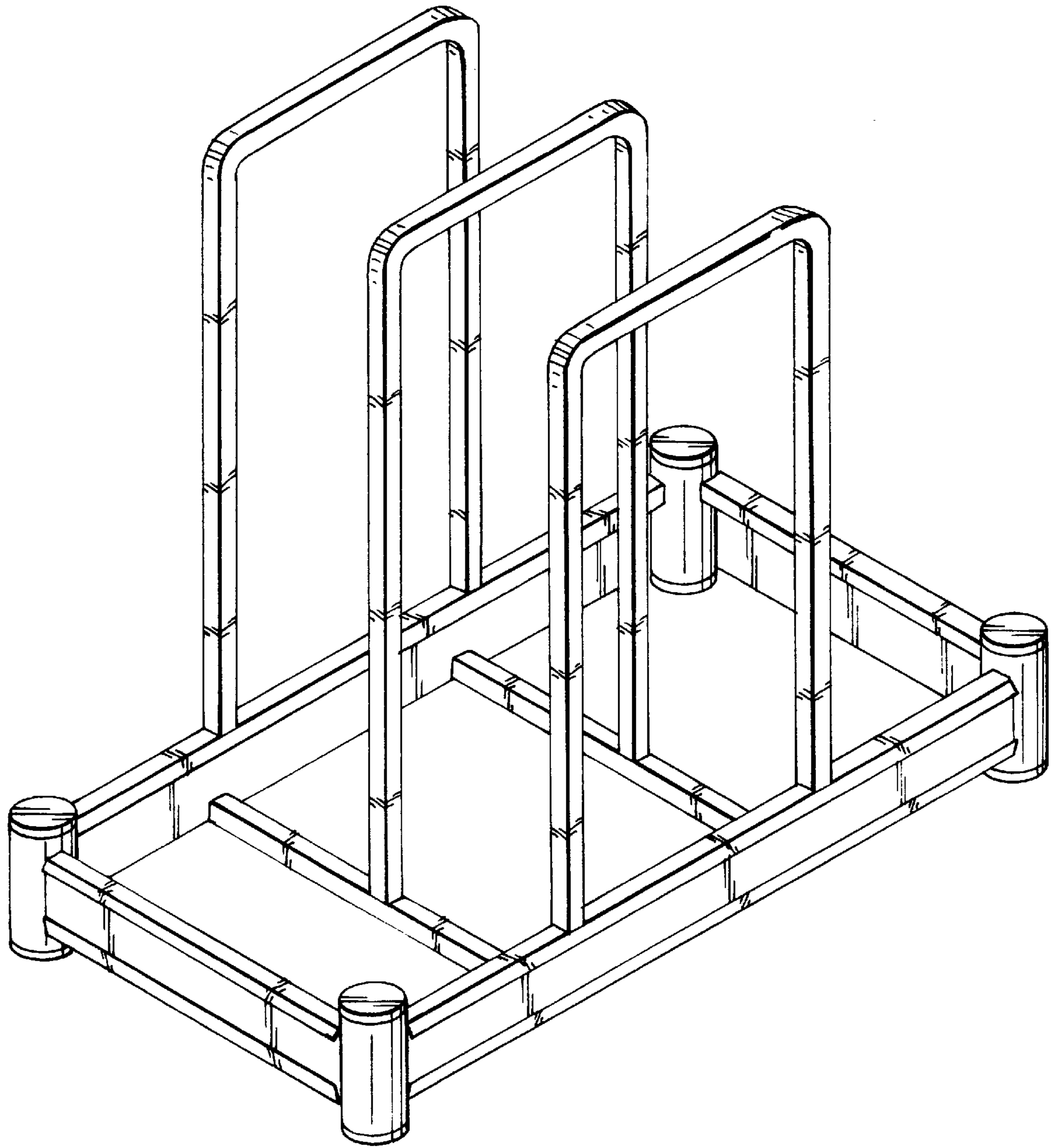
[56] **References Cited**

**U.S. PATENT DOCUMENTS**

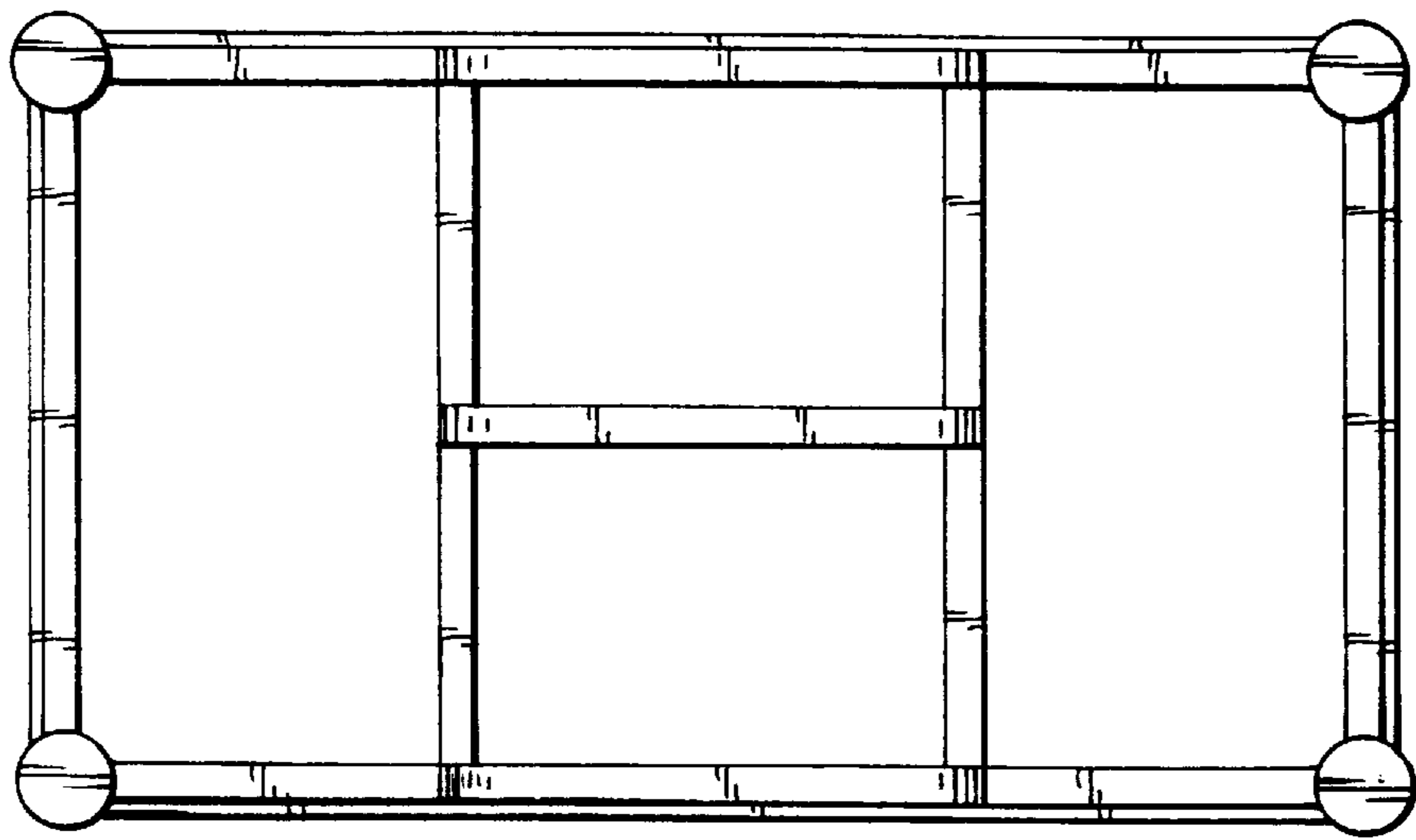
D. 189,356 11/1960 Kolkey ..... D6/462  
D. 296,279 6/1988 Baldree et al. .... D6/462

**1 Claim, 3 Drawing Sheets**

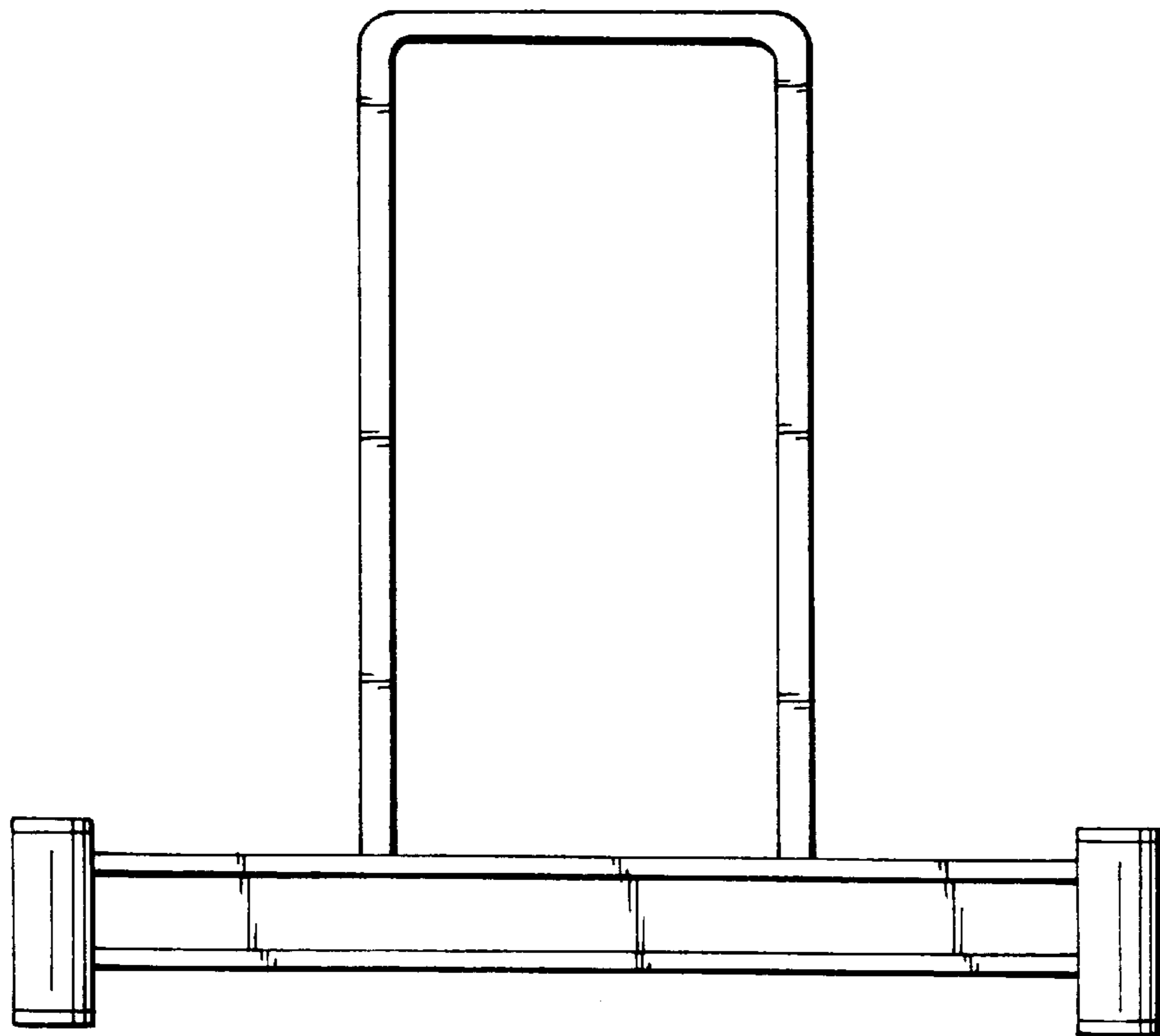




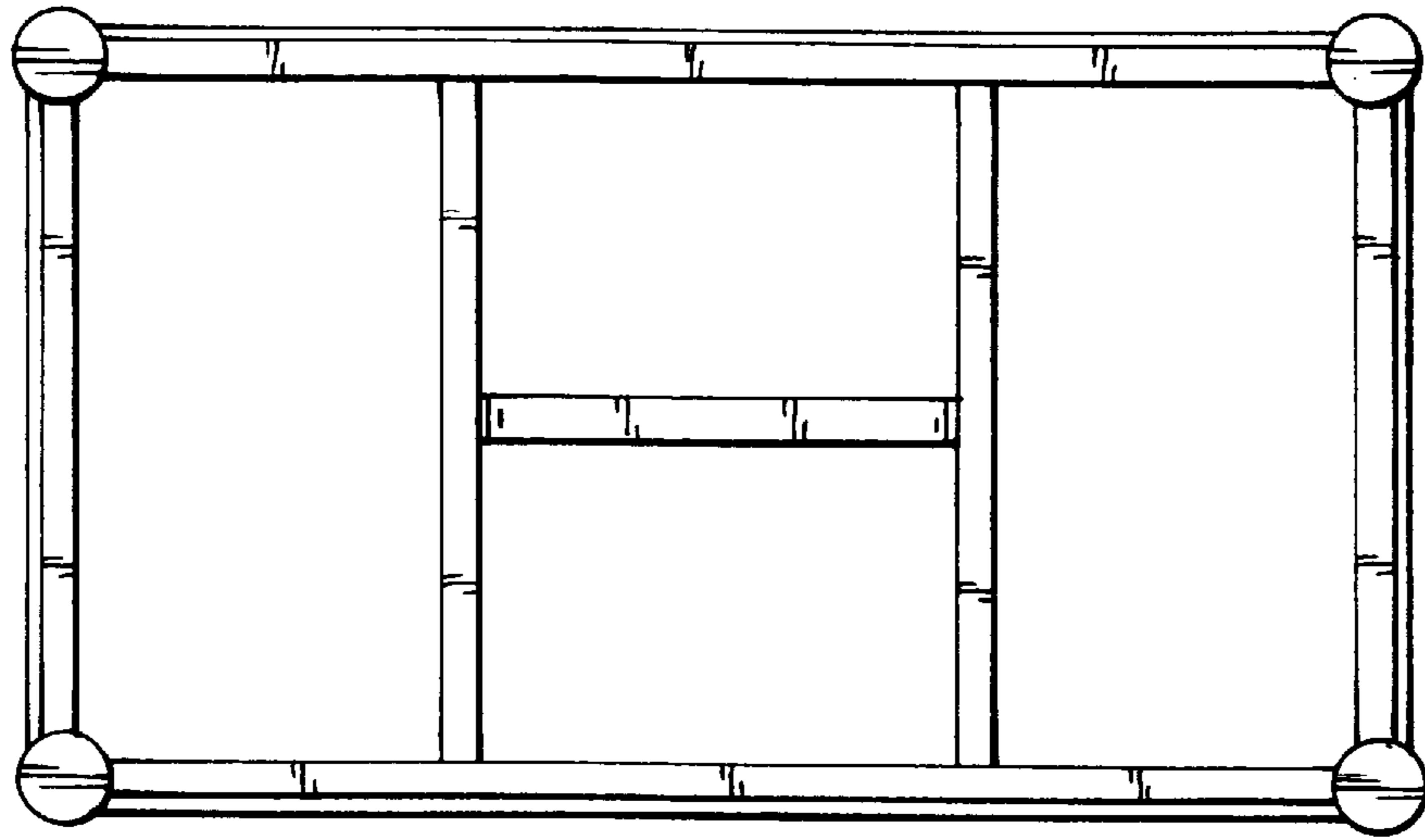
*Fig. 1*



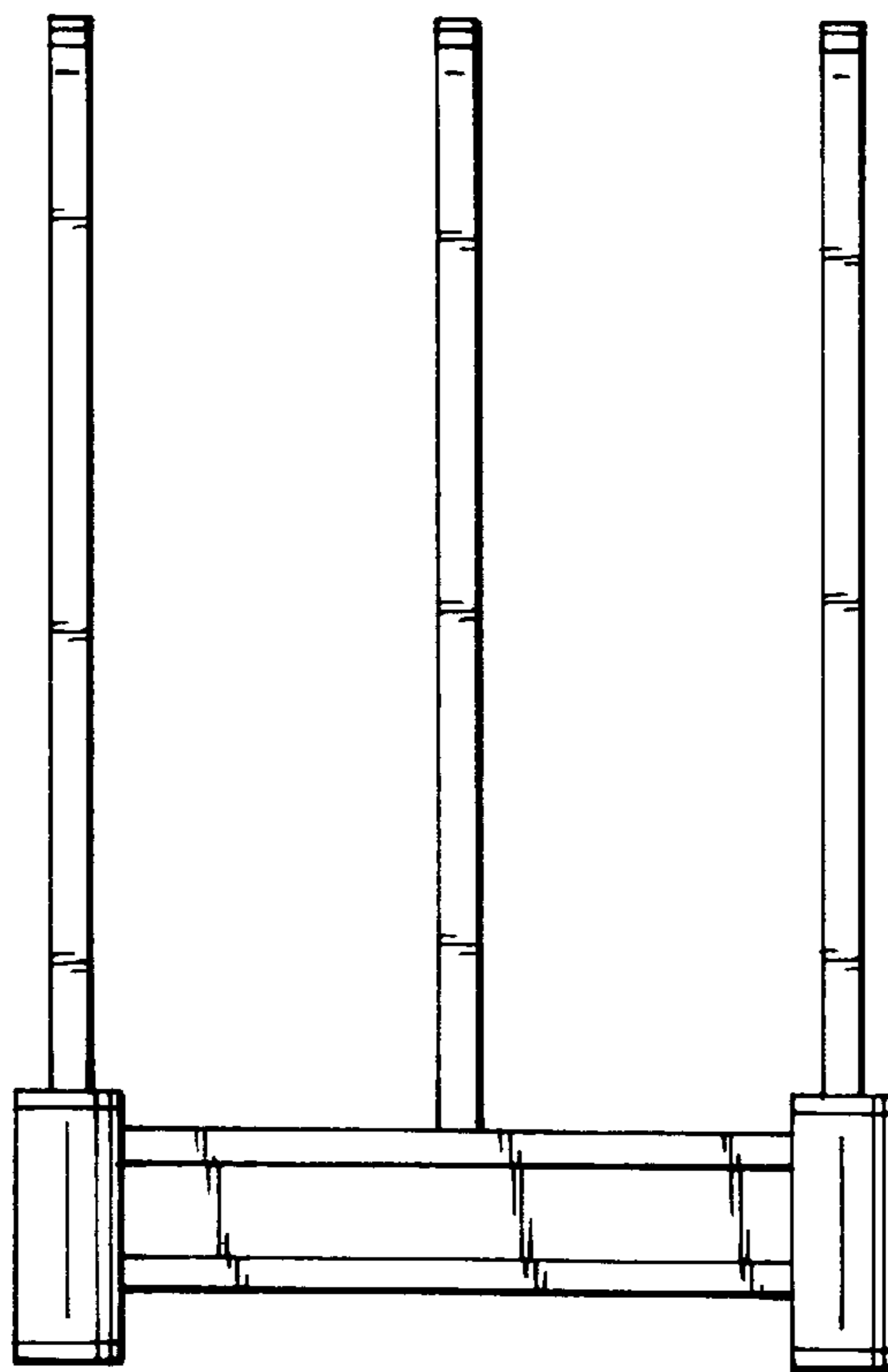
*Fig. 2*



*Fig. 3*



*Fig. 4*



*Fig. 5*