



US00D419331S

# United States Patent [19]

[11] **Patent Number: Des. 419,331**

**Dembicks**

[45] **Date of Patent: \*\* Jan. 25, 2000**

[54] **HEIGHT ADJUSTABLE STATIONARY BENCH TOP TOOL STAND**

3,342,226 9/1967 Marcoux et al. .... 144/286.1  
5,862,842 1/1999 You ..... 144/286.1

[76] Inventor: **Andrew E. Dembicks**, 5308 Boca Marina Cir. North, Boca Raton, Fla. 33487

*Primary Examiner*—Philip S. Hyder  
*Attorney, Agent, or Firm*—Quarles & Brady LLP

[\*\*] Term: **14 Years**

### [57] CLAIM

The ornamental design for a height adjustable stationary bench top tool stand, as shown and described.

[21] Appl. No.: **29/098,625**

### DESCRIPTION

[22] Filed: **Jan. 4, 1999**

[51] **LOC (7) Cl.** ..... **06-03**

[52] **U.S. Cl.** ..... **D6/429; D6/400**

[58] **Field of Search** ..... D6/400, 429, 430; D8/71; 269/139, 152, 155; 211/208; 144/285, 286.1, 287, 288

FIG. 1 is a perspective view of the height adjustable stationary bench top tool stand according to the present invention;

FIG. 2 is a front view of the height adjustable stationary bench top tool stand in FIG. 1;

FIG. 3 is a right side view of the height adjustable stationary bench top tool stand in FIG. 1;

FIG. 4 is a rear view of the height adjustable stationary bench top tool stand in FIG. 1;

FIG. 5 is a left side view of the height adjustable stationary bench top tool stand in FIG. 1;

FIG. 6 is a top view of the height adjustable stationary bench top tool stand in FIG. 1; and,

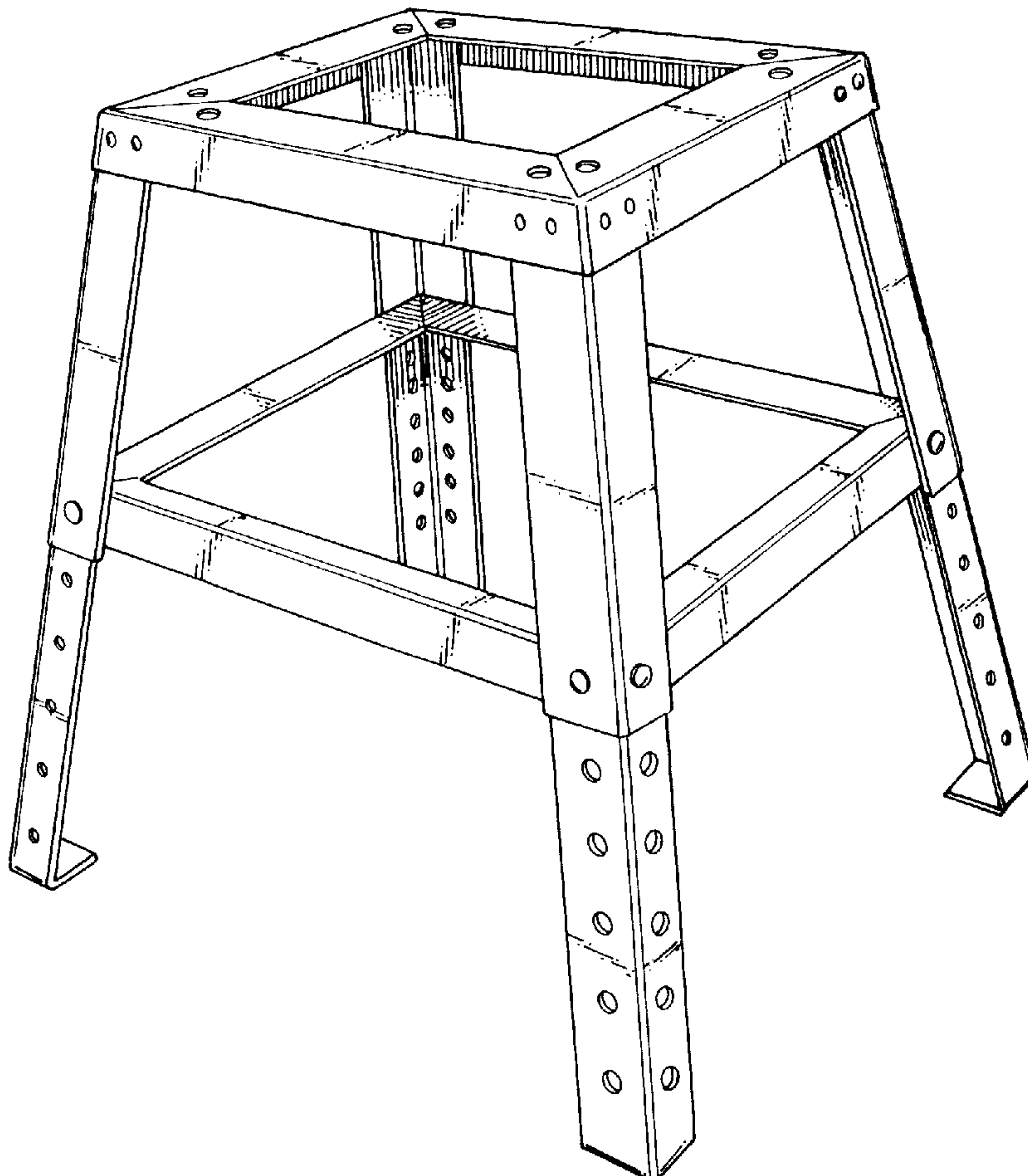
FIG. 7 is a bottom view of the height adjustable stationary bench top tool stand in FIG. 1.

### [56] References Cited

#### U.S. PATENT DOCUMENTS

|            |         |             |       |        |
|------------|---------|-------------|-------|--------|
| D. 280,440 | 9/1985  | Gromer, Jr. | ..... | D25/67 |
| D. 304,650 | 11/1989 | Price       | ..... | D6/429 |
| D. 345,472 | 3/1994  | Sheftel     | ..... | D6/429 |
| D. 351,295 | 10/1994 | Noniewicz   | ..... | D6/400 |
| D. 374,996 | 10/1996 | Noniewicz   | ..... | D6/400 |
| D. 384,514 | 10/1997 | Pestone     | ..... | D6/400 |
| D. 392,814 | 3/1998  | Sheftel     | ..... | D6/429 |
| D. 394,766 | 6/1998  | Brandt      | ..... | D6/480 |

**1 Claim, 4 Drawing Sheets**



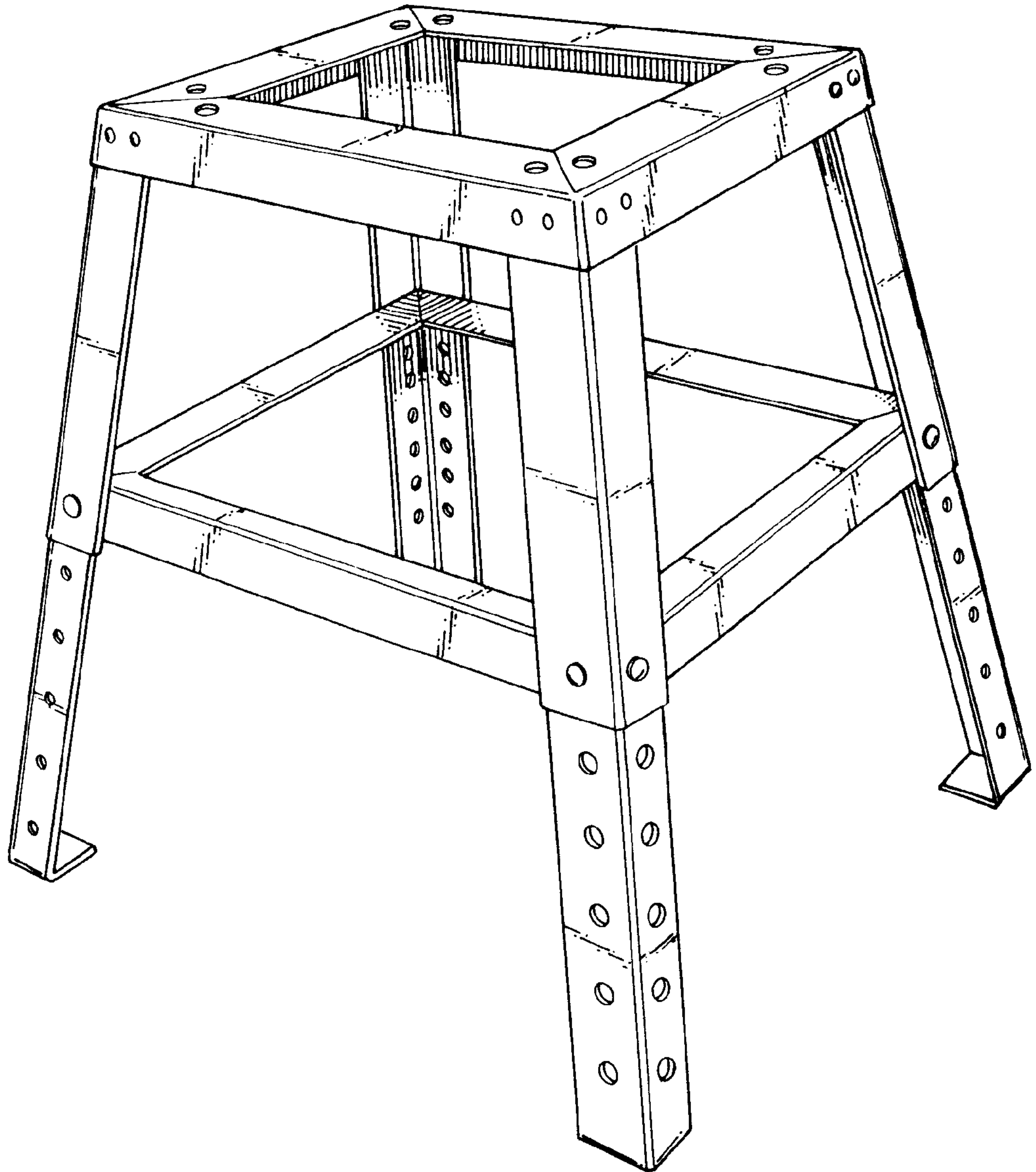


FIG. 1

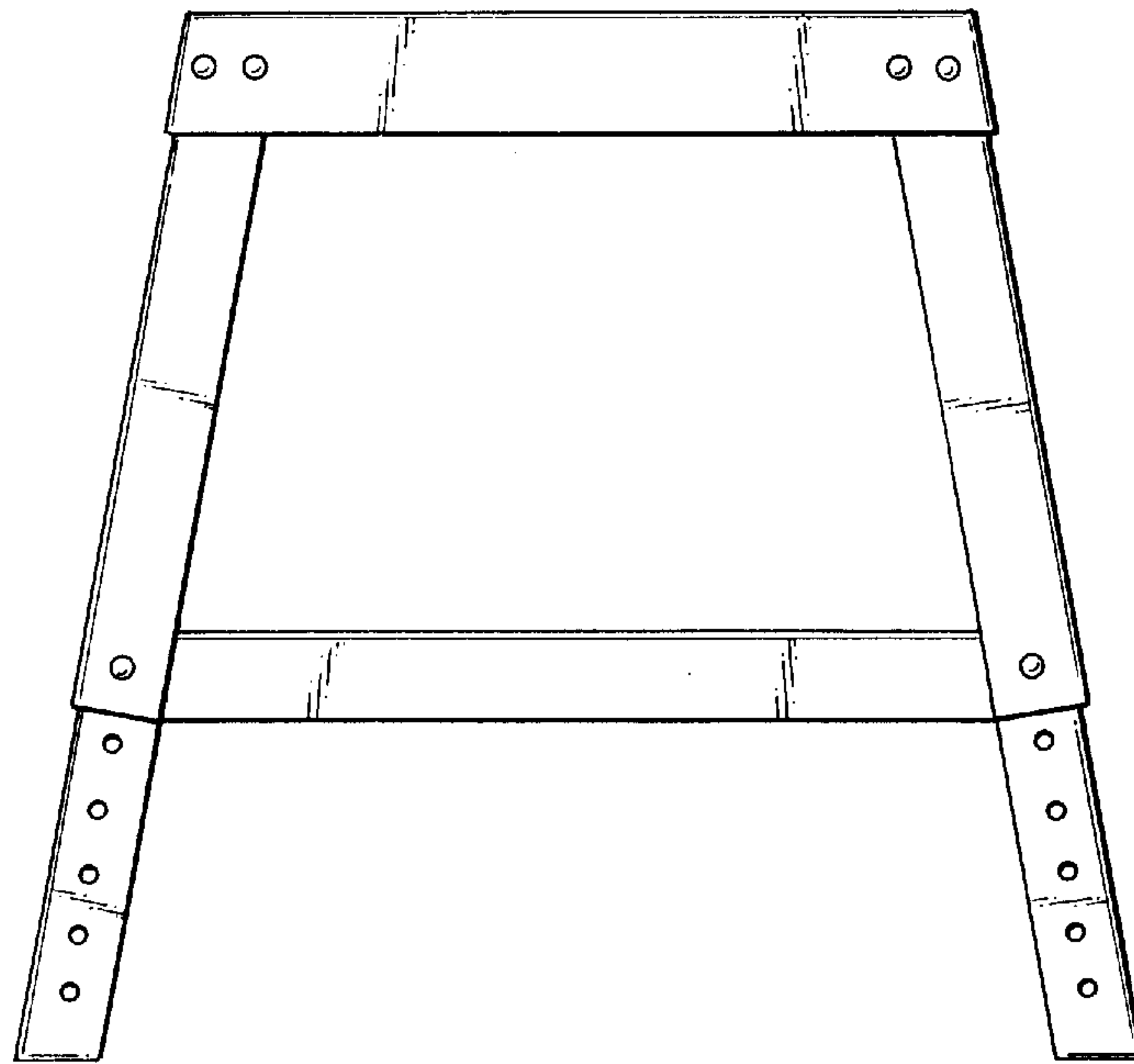


FIG. 2

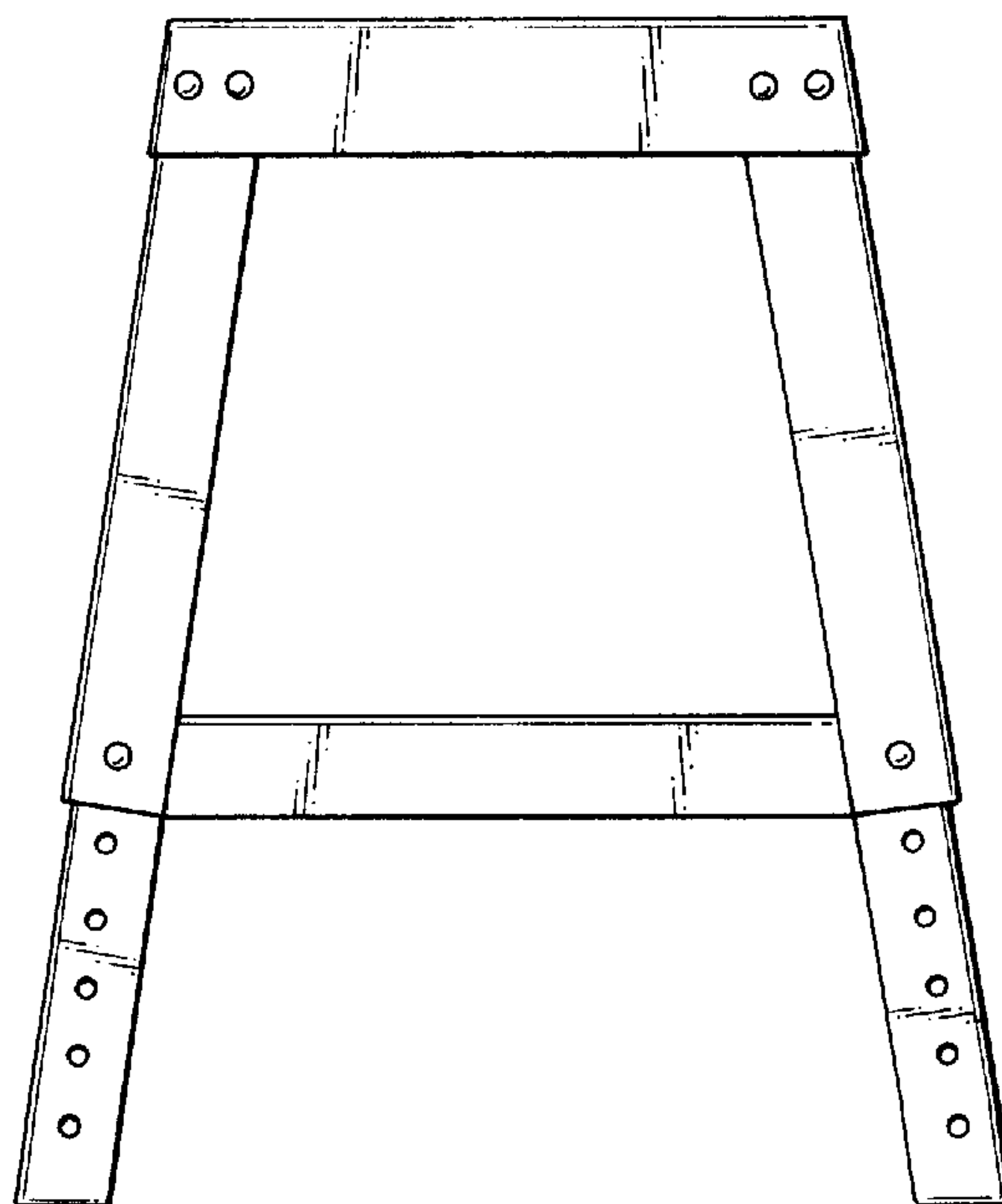


FIG. 3

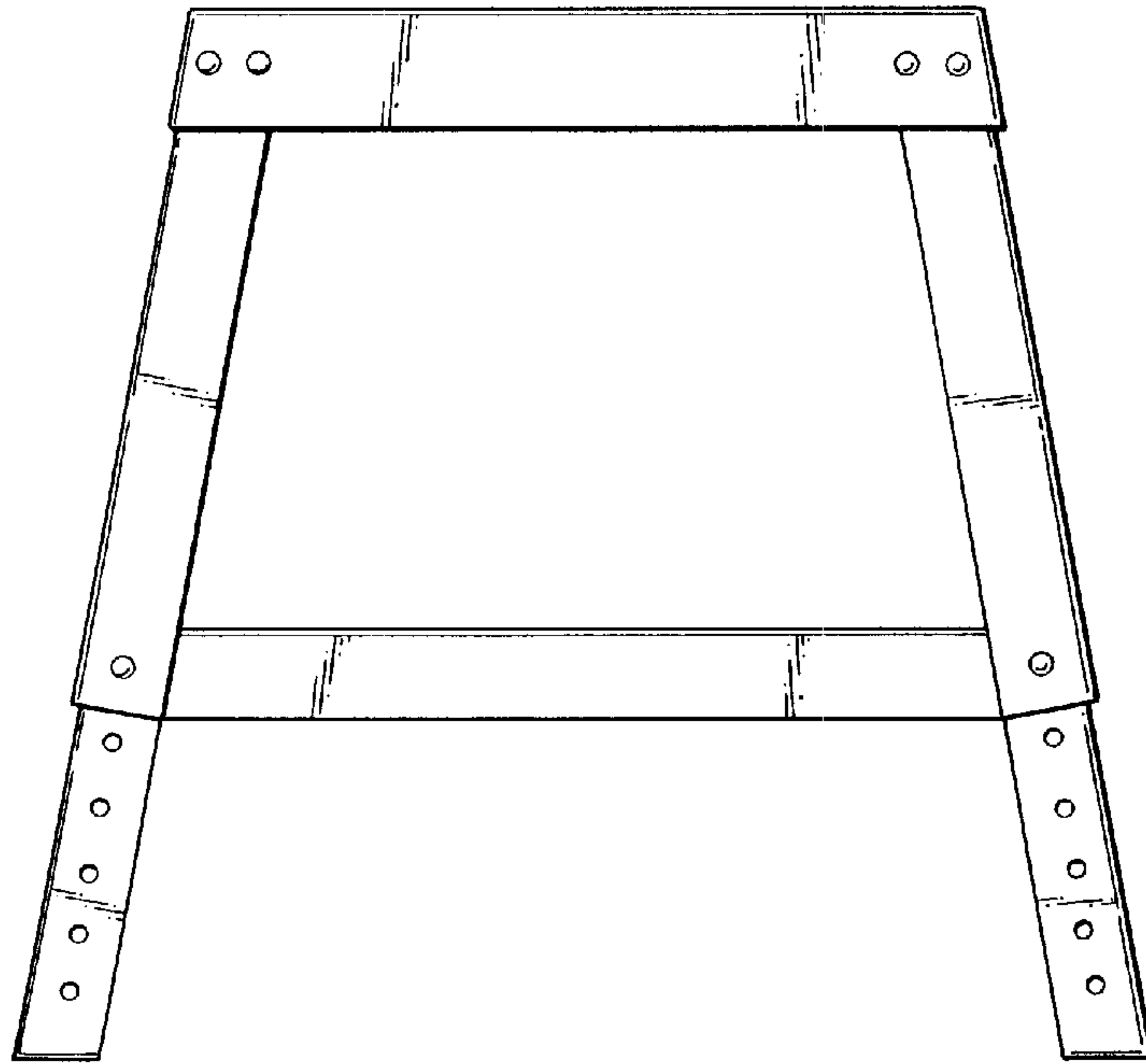


FIG. 4

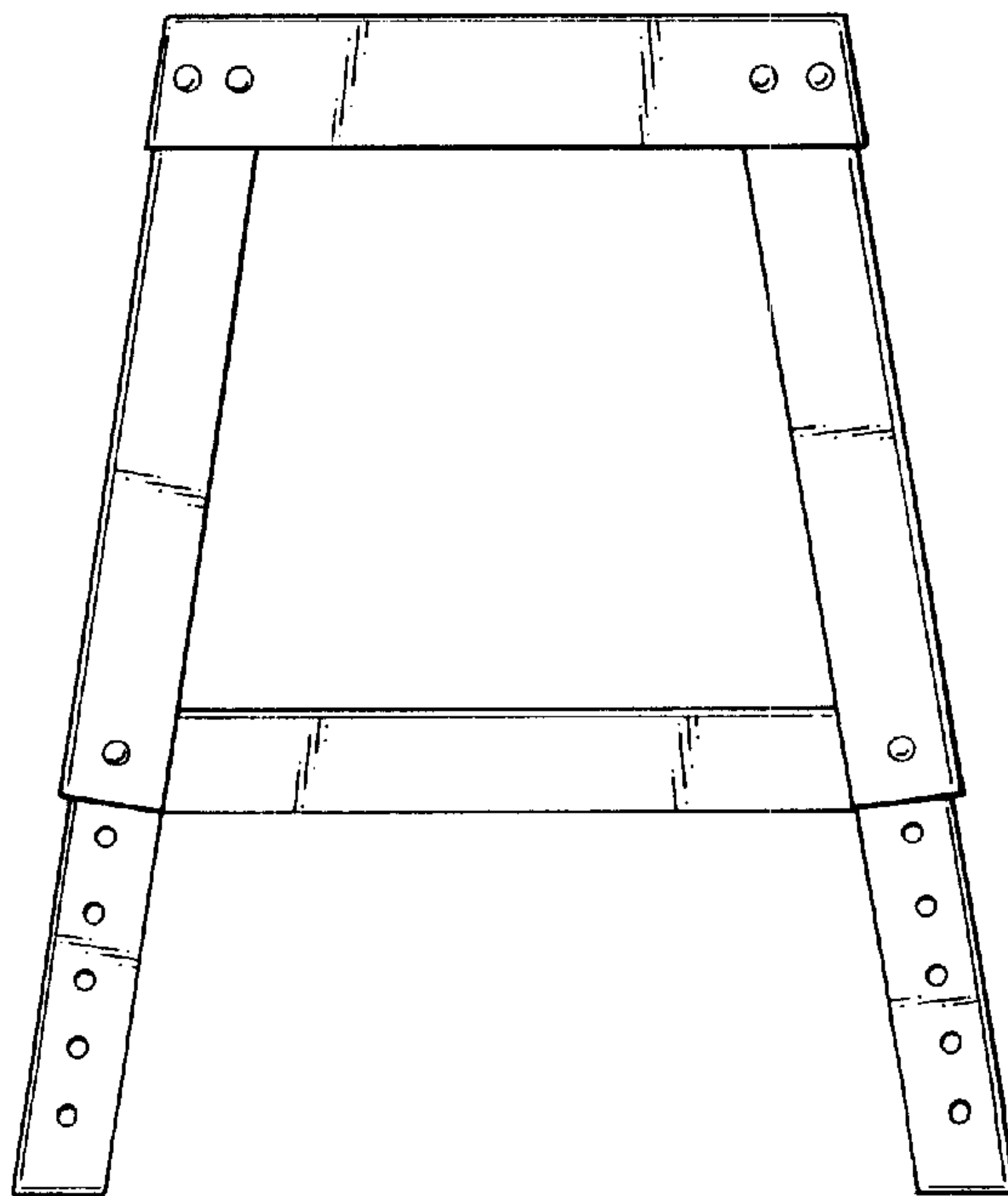


FIG. 5

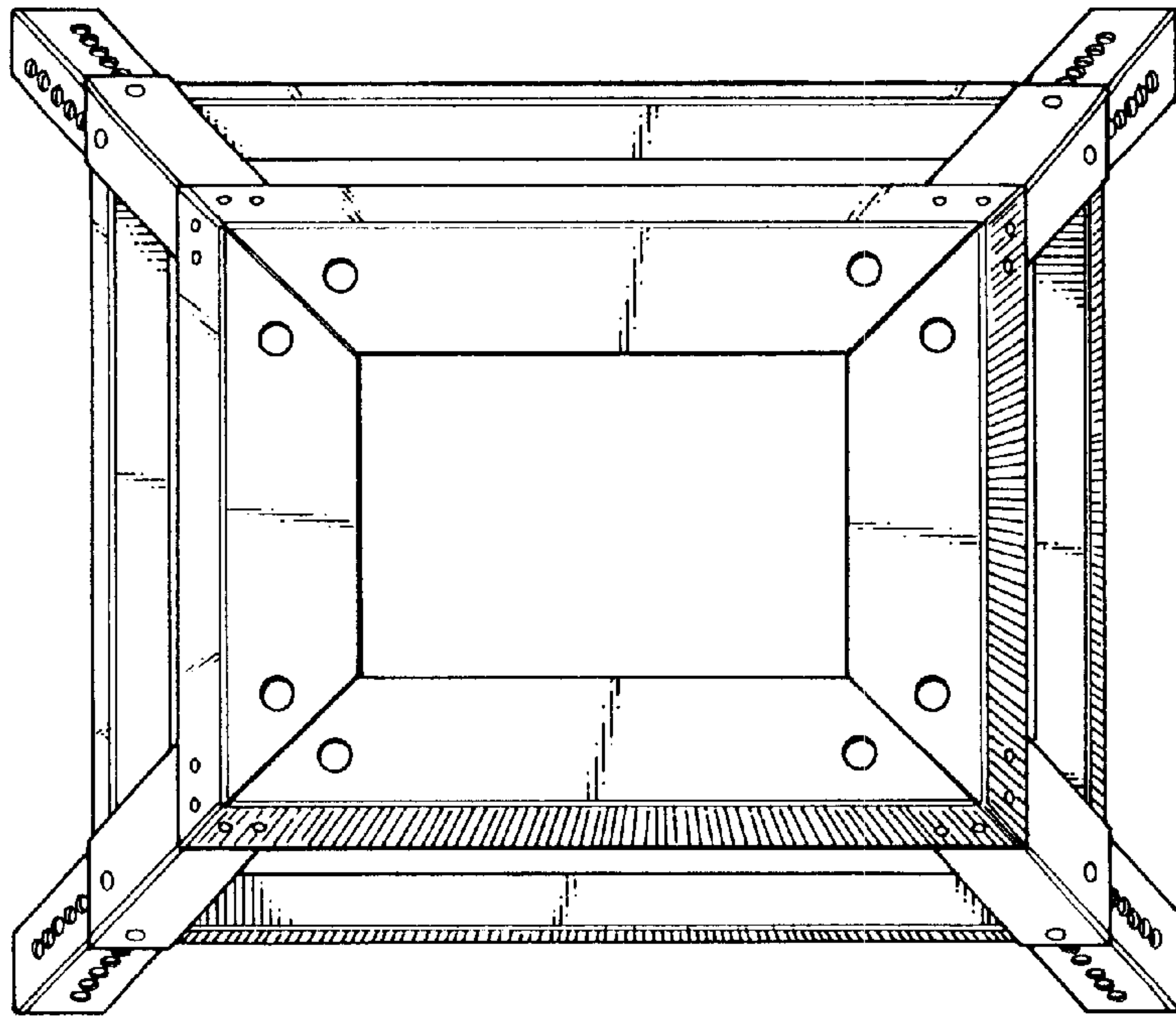


FIG. 6

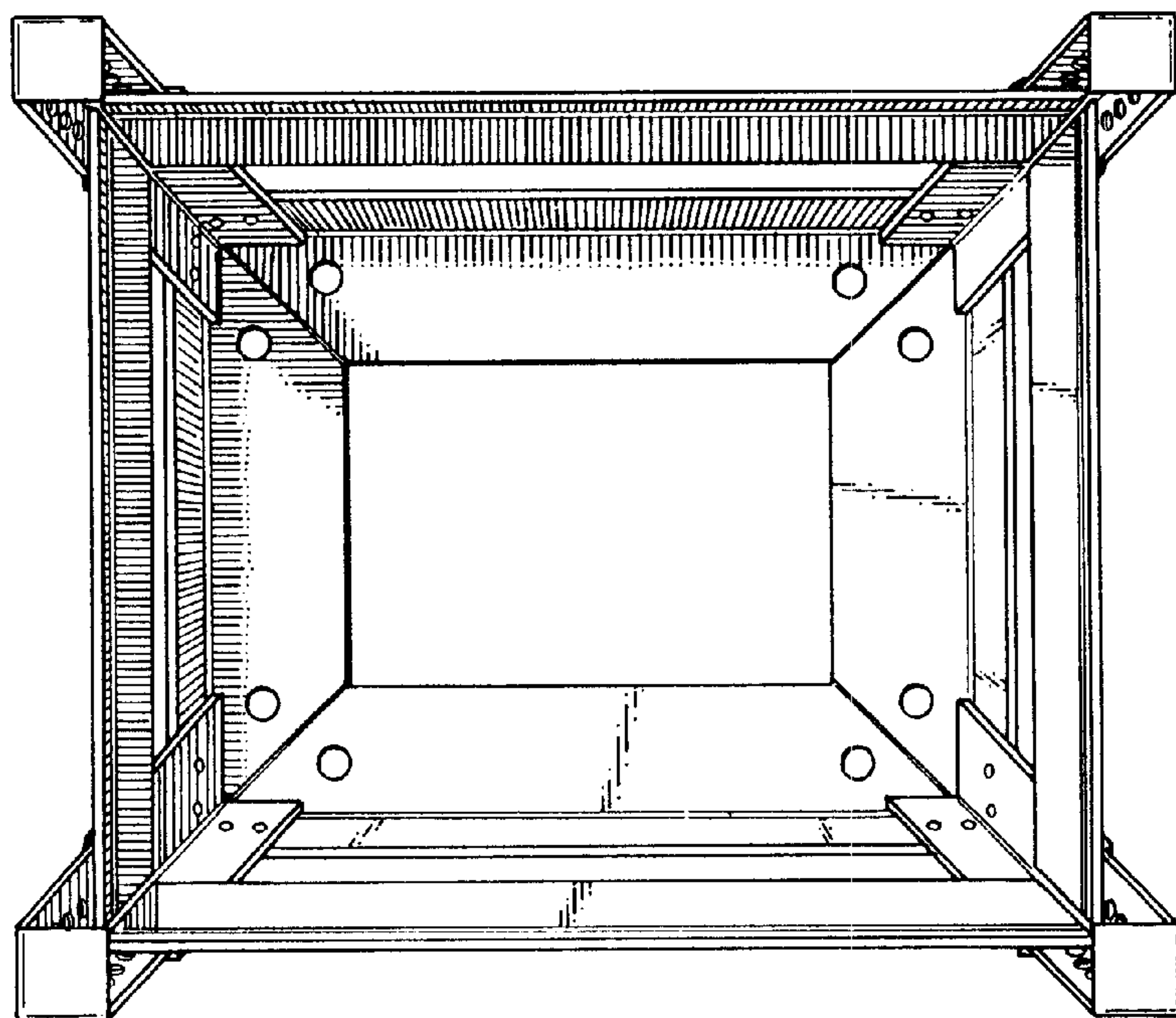


FIG. 7