



US00D419325S

United States Patent [19] van Rhienen

[11] **Patent Number: Des. 419,325**
[45] **Date of Patent: ** Jan. 25, 2000**

[54] **STACKABLE CHAIR WITH ROUNDED BACK**

[75] Inventor: **Alphons van Rhienen**, Schoten, Belgium

[73] Assignee: **Euro United Corporation**, Oakville, Canada

[**] Term: **14 Years**

[21] Appl. No.: **29/103,418**

[22] Filed: **Apr. 14, 1999**

[30] **Foreign Application Priority Data**

Feb. 16, 1999 [CA] Canada 99-0420

[51] **LOC (7) Cl.** **06-01**

[52] **U.S. Cl.** **D6/370; D6/374; D6/379**

[58] **Field of Search** D6/334, 369, 370, D6/374, 375, 376, 379, 380, 500, 501, 502; 297/239, 445.1, 446.1, 411.41, DIG. 2

[56] **References Cited**

U.S. PATENT DOCUMENTS

- D. 329,339 9/1992 Grosfillex .
- D. 338,347 8/1993 Hubert .
- D. 361,902 9/1995 Van Skiver D6/370
- D. 364,284 11/1995 Prosperio D6/374

- D. 364,748 12/1995 Morin D6/370
- D. 366,159 1/1996 Sagol .
- D. 373,255 9/1996 Gresens .
- 5,044,691 9/1991 Guichon D6/370 X

FOREIGN PATENT DOCUMENTS

Des. Reg.
66187 6/1990 Canada .

OTHER PUBLICATIONS

“Creez Votre, Propre Decor De Jardin” Sears Catalog, May 1991.

Primary Examiner—Gary D. Watson
Attorney, Agent, or Firm—Barrigar & Moss

[57] **CLAIM**

The ornamental design for a stackable chair with rounded back, as shown and described.

DESCRIPTION

FIG. 1 is a perspective view of the design taken from above and showing the right side thereof;
FIG. 2 is a front view of the design;
FIG. 3 is a back view of the design;
FIG. 4 is a top view of the design; and,
FIG. 5 is a right side view of the design, the left side view being a mirror image of the right side.

1 Claim, 3 Drawing Sheets

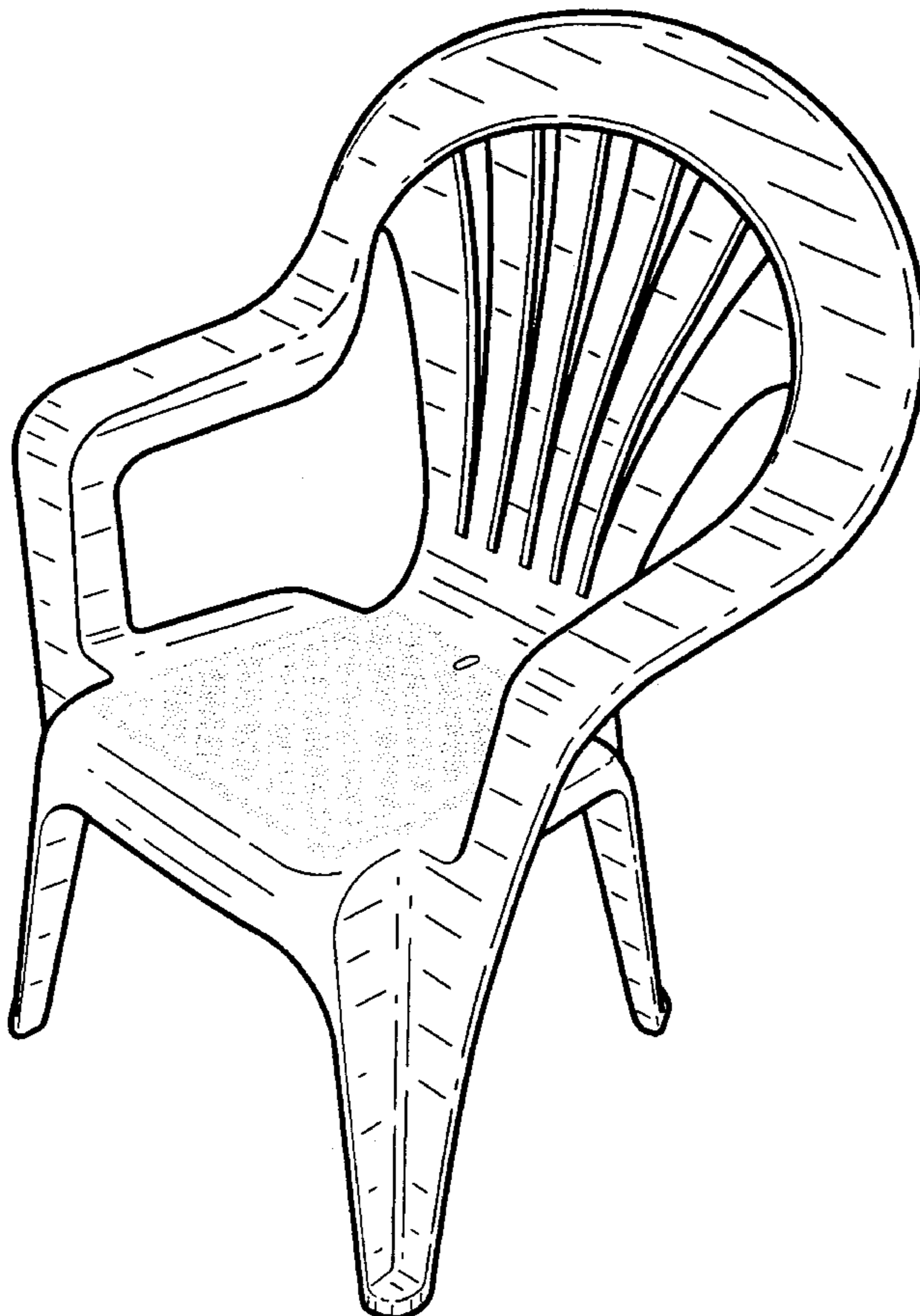


Fig. 1

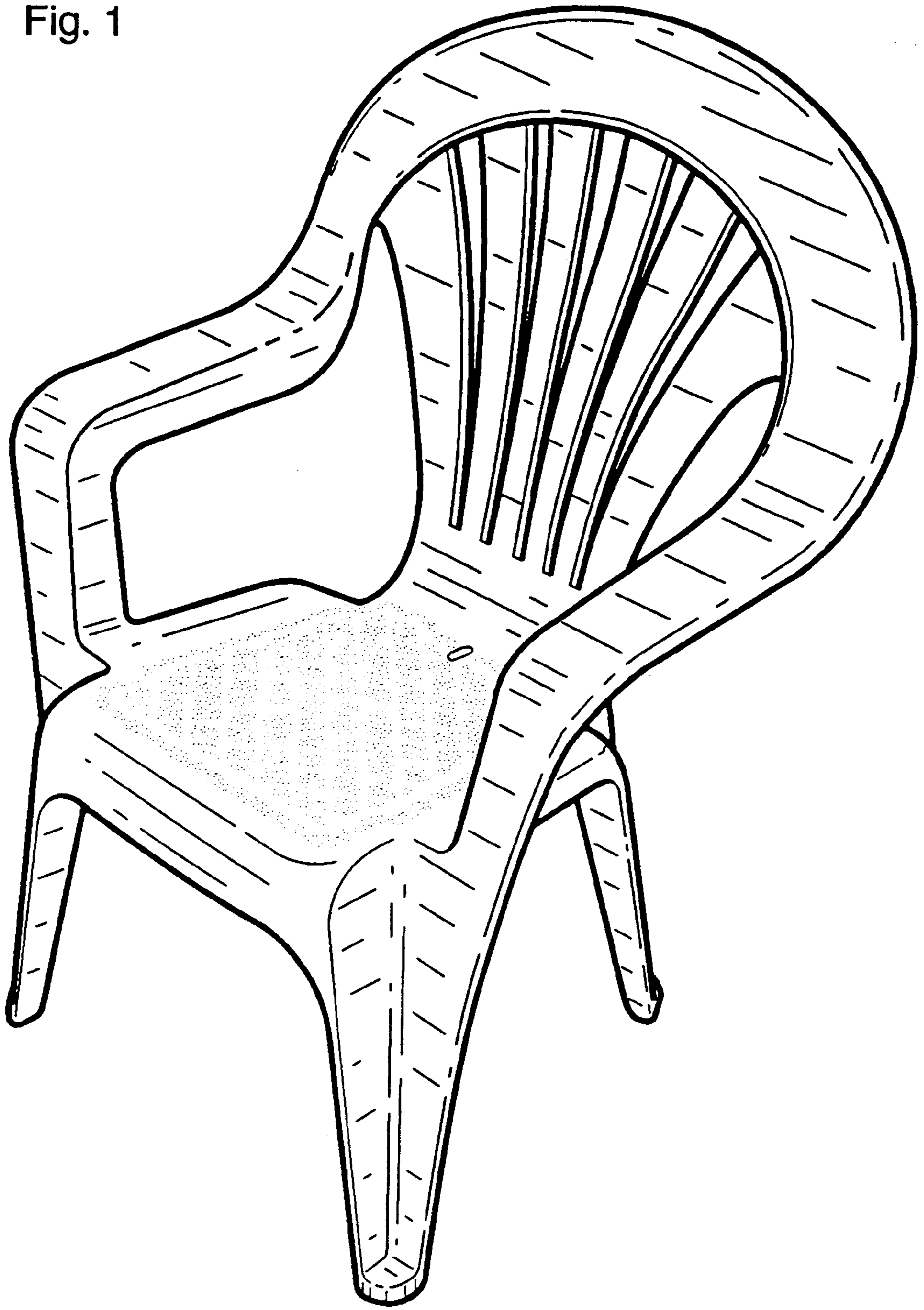


Fig. 2

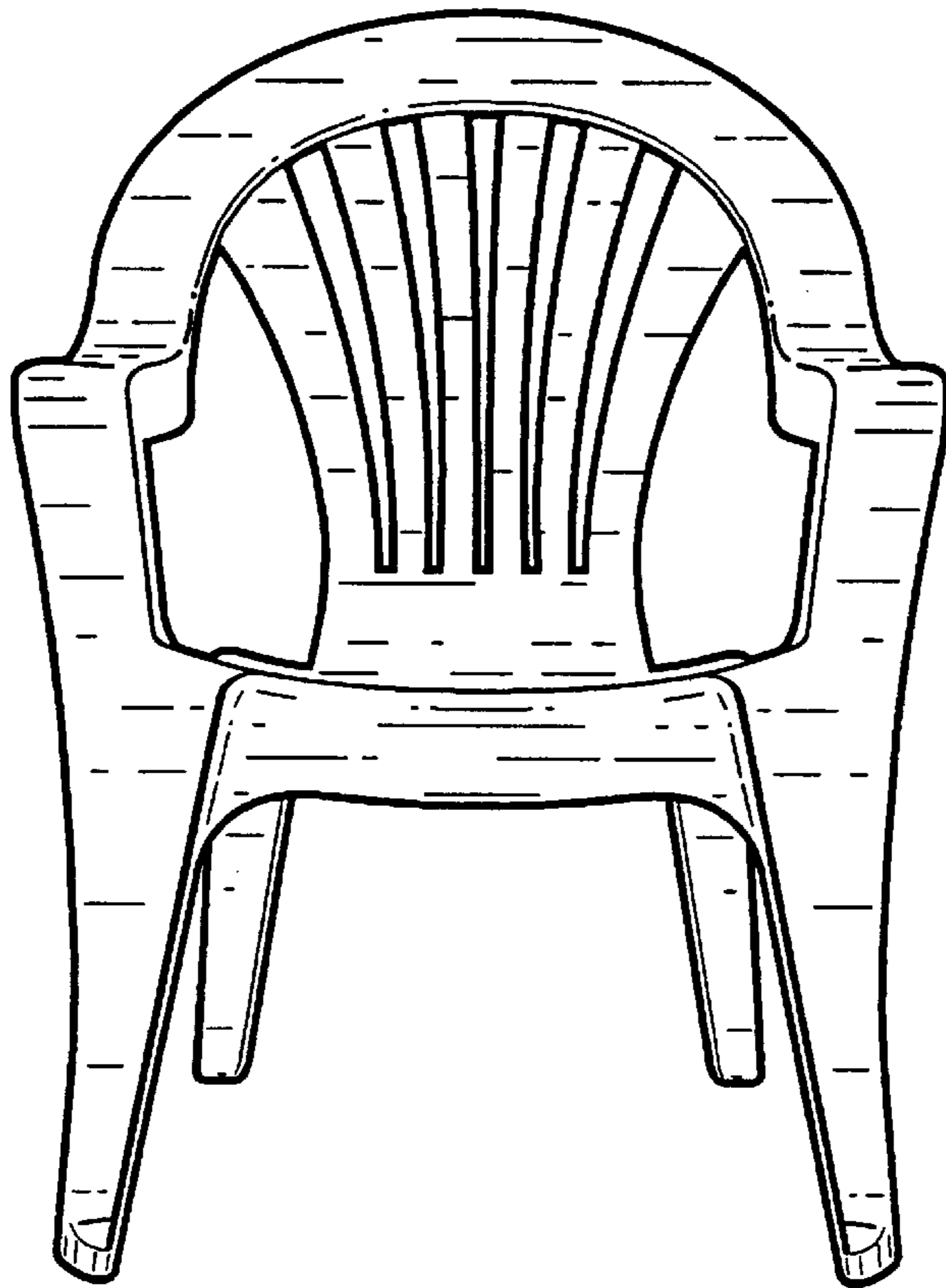


Fig. 3

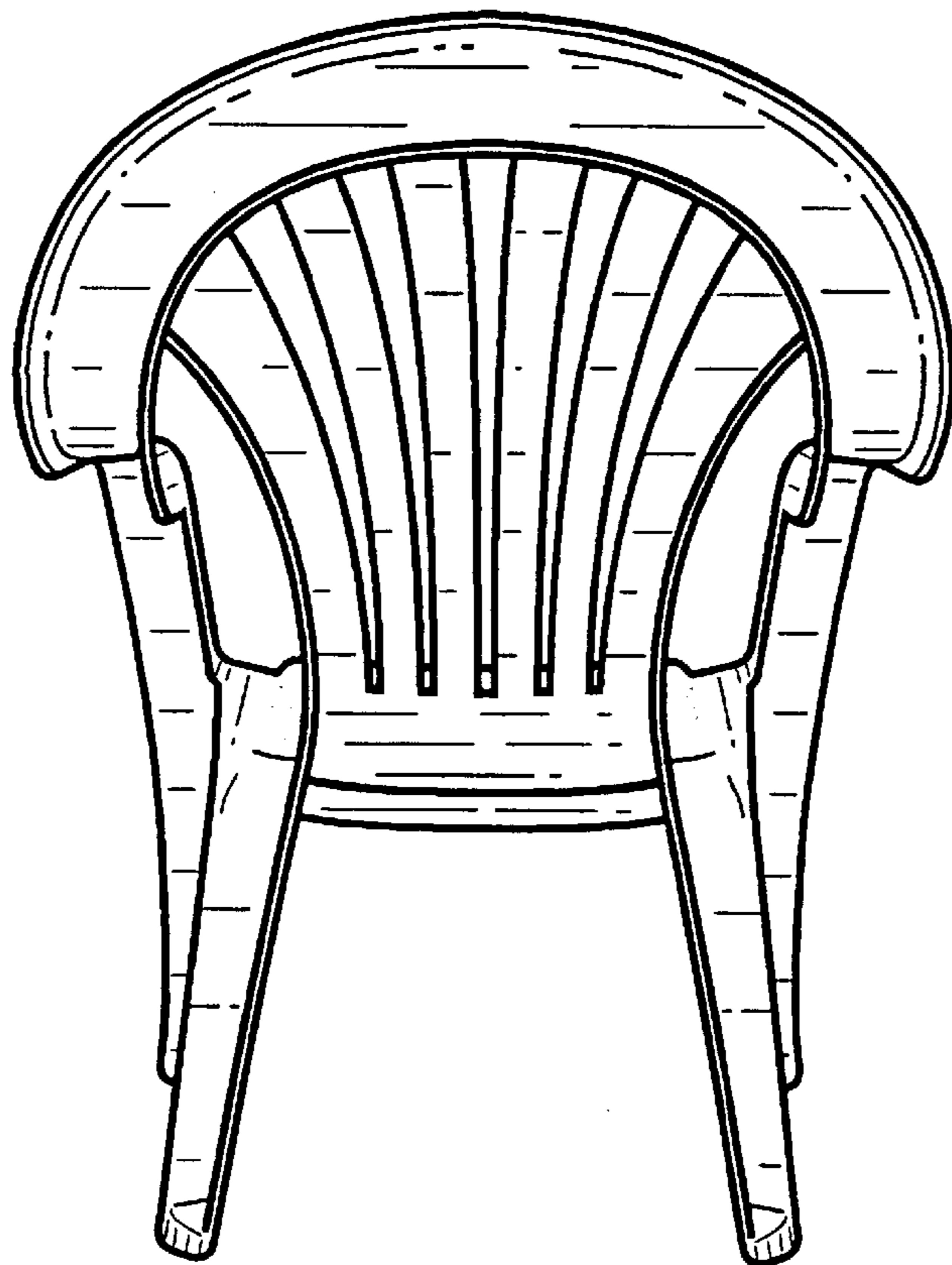


Fig. 4

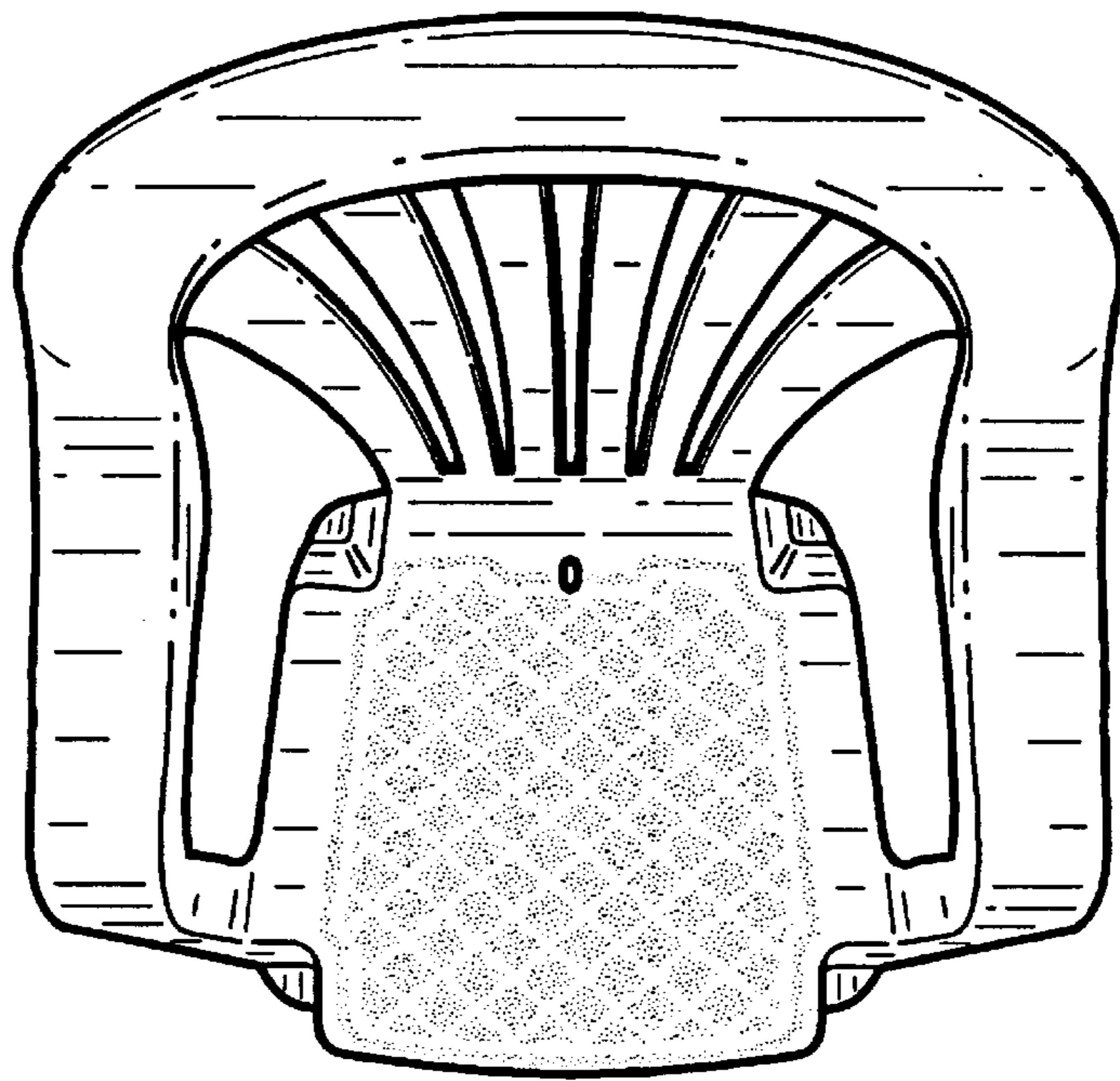


Fig. 5

