



US00D419321S

United States Patent [19] Rhienen

[11] **Patent Number: Des. 419,321**
[45] **Date of Patent: ** Jan. 25, 2000**

[54] **STACKABLE CHAIR**

[75] **Inventor: Alphons Van Rhienen, Schoten, Belgium**

[73] **Assignee: Euro United Corporation, Oakville, Canada**

[**] **Term: 14 Years**

[21] **Appl. No.: 29/102,901**

[22] **Filed: Apr. 2, 1999**

[30] **Foreign Application Priority Data**

Jan. 13, 1999 [CA] Canada 1999-0075

[51] **LOC (7) Cl. 06-01**

[52] **U.S. Cl. D6/369; D6/375; D6/380**

[58] **Field of Search D6/334, 369, 370, D6/374, 375, 376, 379, 380, 500, 501, 502; 297/239, 445.1, 446.1, 452.64, DIG. 2**

[56] **References Cited**

U.S. PATENT DOCUMENTS

D. 237,229 10/1975 Sebel D6/305
D. 265,614 8/1982 Massonnet D6/375
D. 323,079 1/1992 Hubert D6/380

D. 335,972 6/1993 Lamalle .
D. 336,174 6/1993 Lamalle D6/369
D. 336,384 6/1993 Grosfillex D6/375
D. 340,366 10/1993 Lamalle D6/375
D. 361,902 9/1995 Vanskiver D6/370
D. 362,759 10/1995 Sagol .
D. 362,975 10/1995 Sagol .
D. 364,284 11/1995 Prosperio .
D. 373,253 9/1996 Maple .
D. 373,478 9/1996 Grosfillex .
D. 399,354 10/1998 Westerburgen D6/380

Primary Examiner—Gary D. Watson
Attorney, Agent, or Firm—Barrigar & Moss

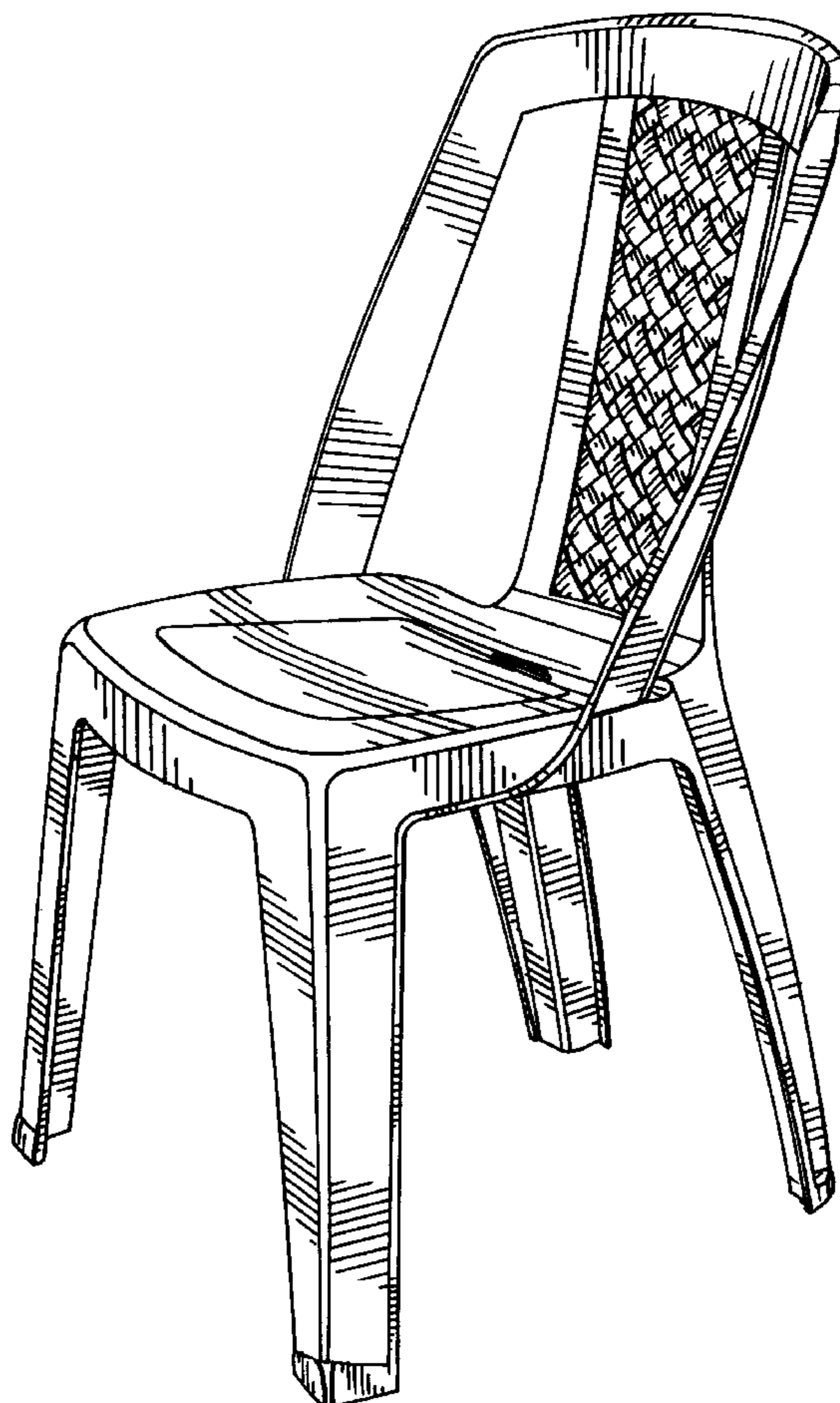
[57] **CLAIM**

The ornamental design for a stackable chair, as shown and described.

DESCRIPTION

FIG. 1 is a perspective view of the design taken from the front and the right side thereof;
FIG. 2 is a front view of the design;
FIG. 3 is a back view of the design;
FIG. 4 is a right side view of the design, the left side view being the mirror image of the right side; and,
FIG. 5 is a top view of the design.

1 Claim, 3 Drawing Sheets



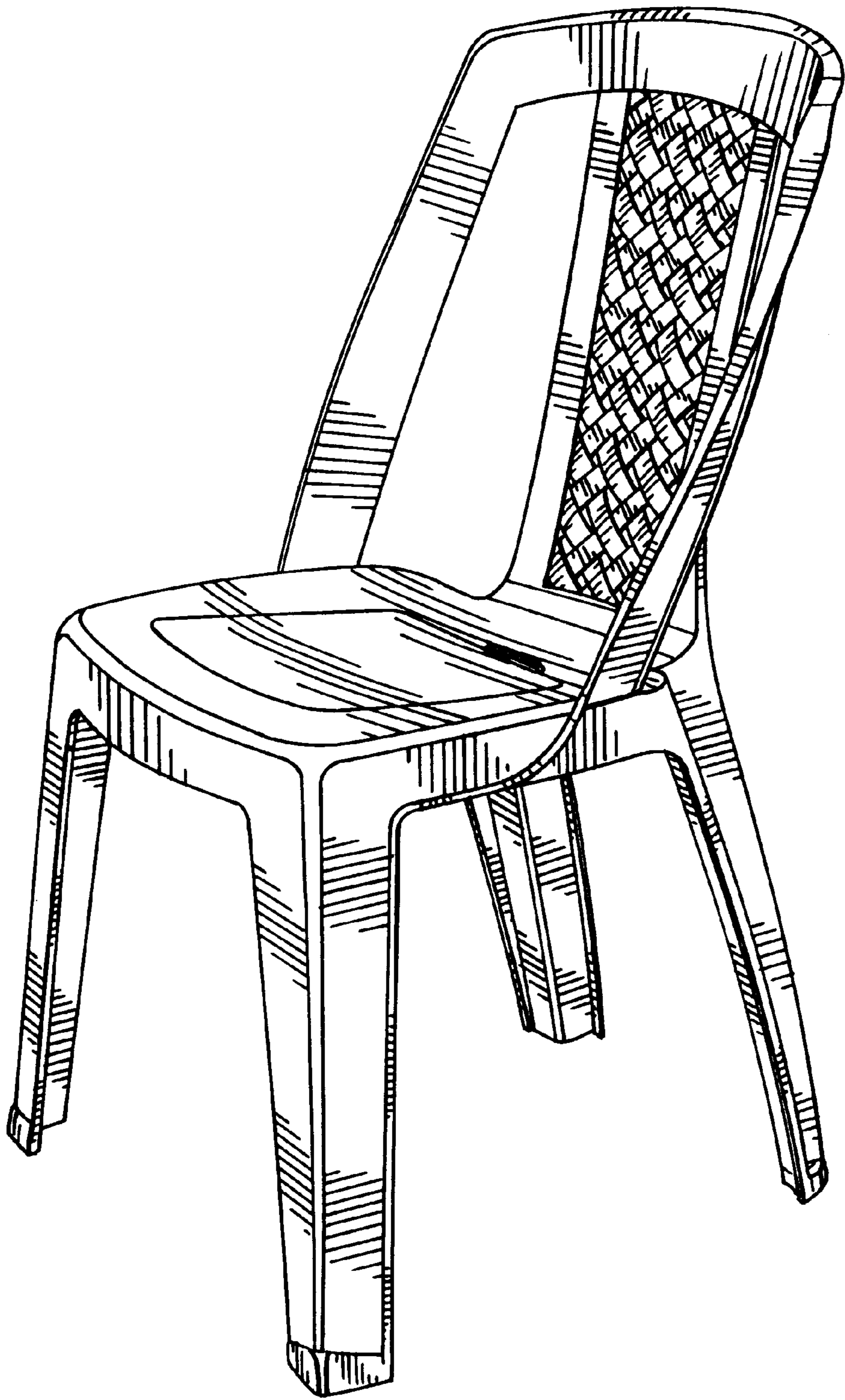


FIG. 1

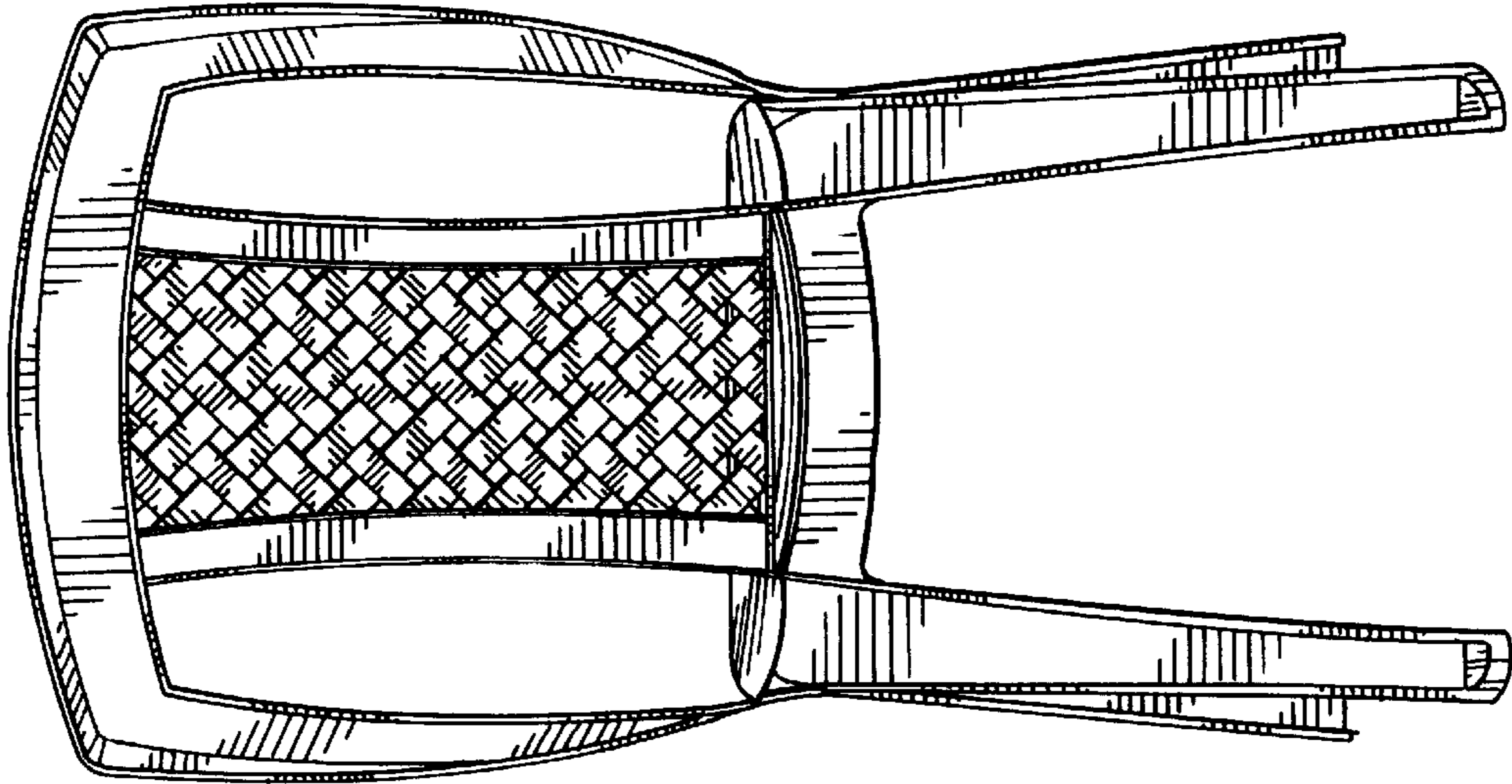


FIG. 3

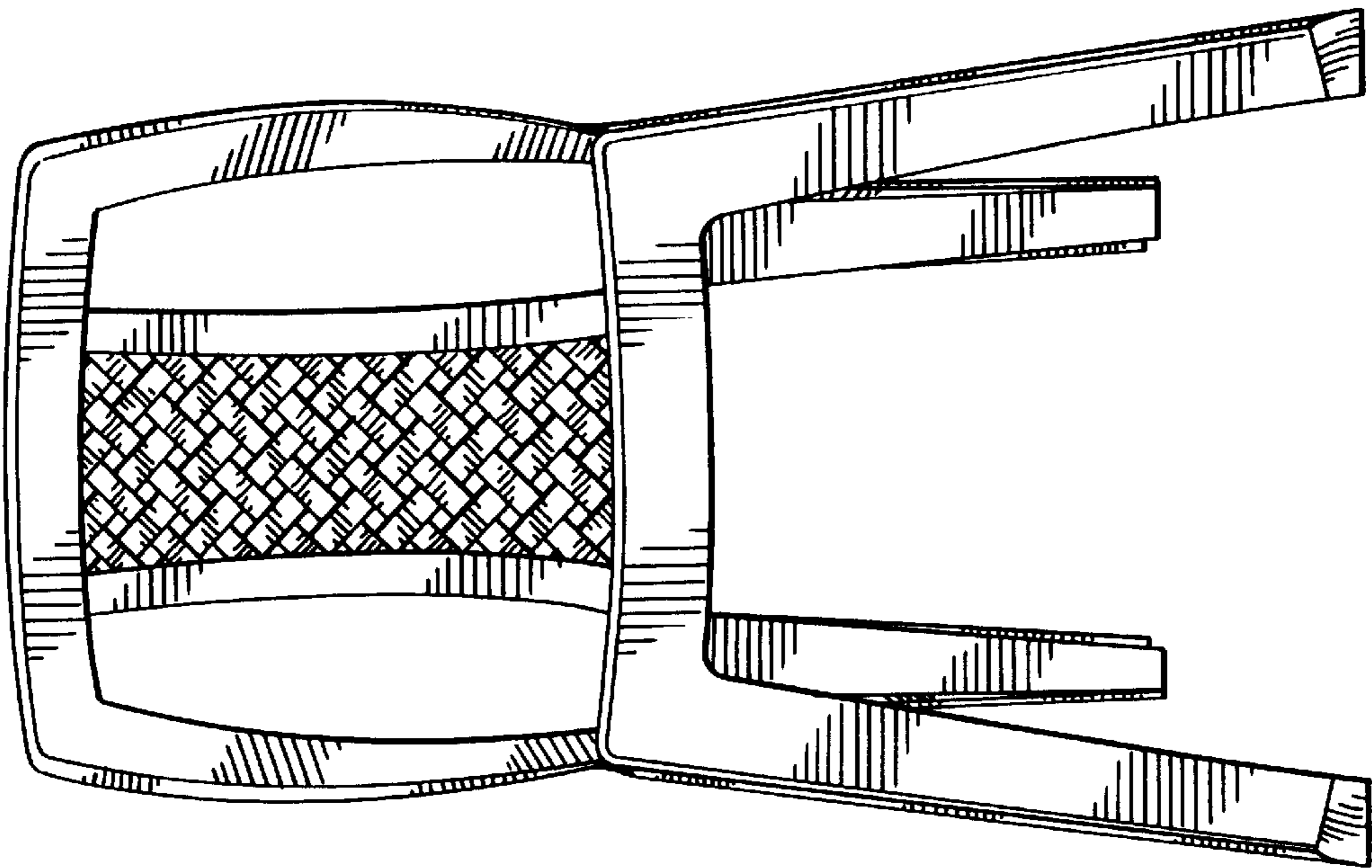


FIG. 2

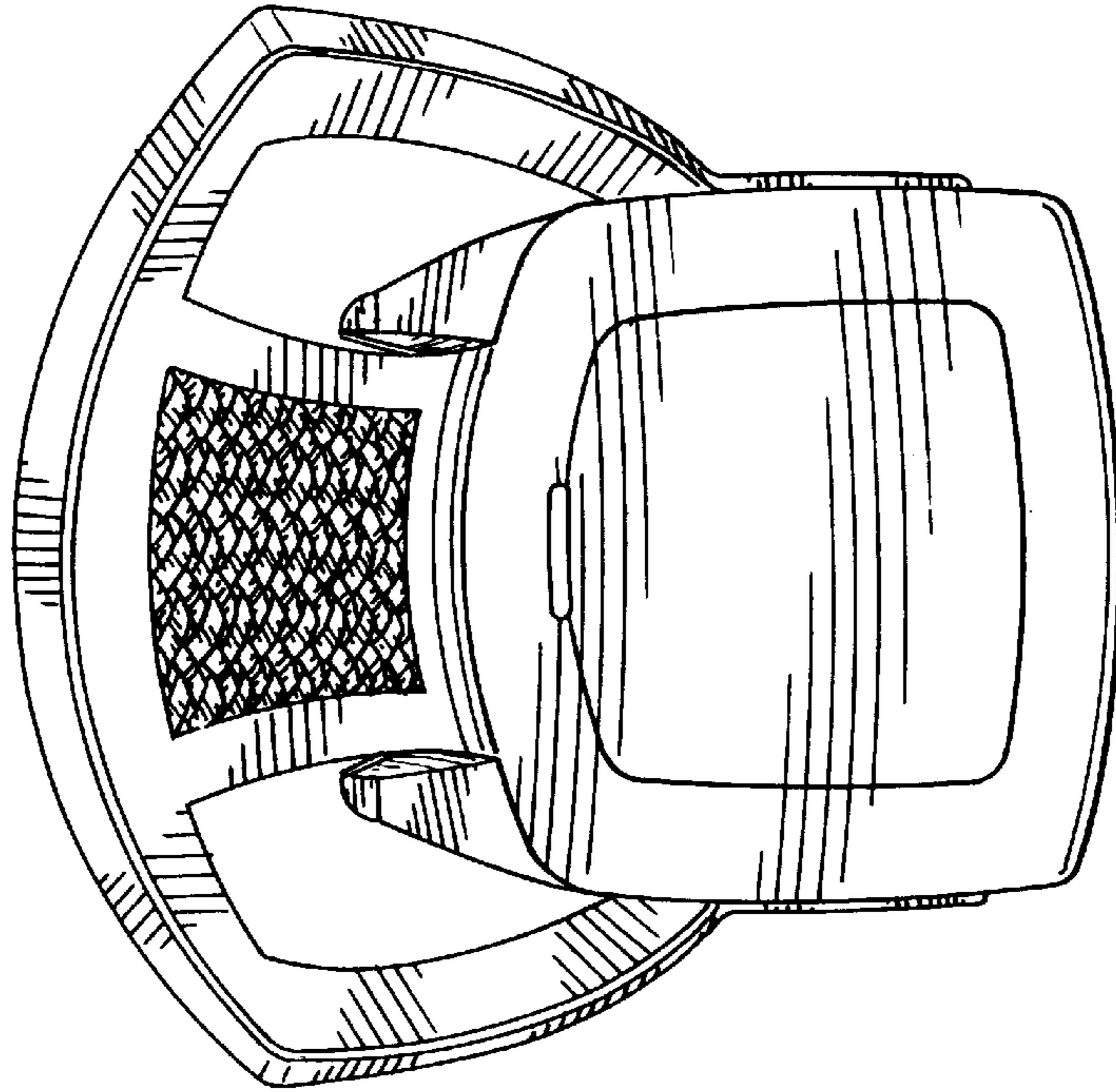


FIG. 5

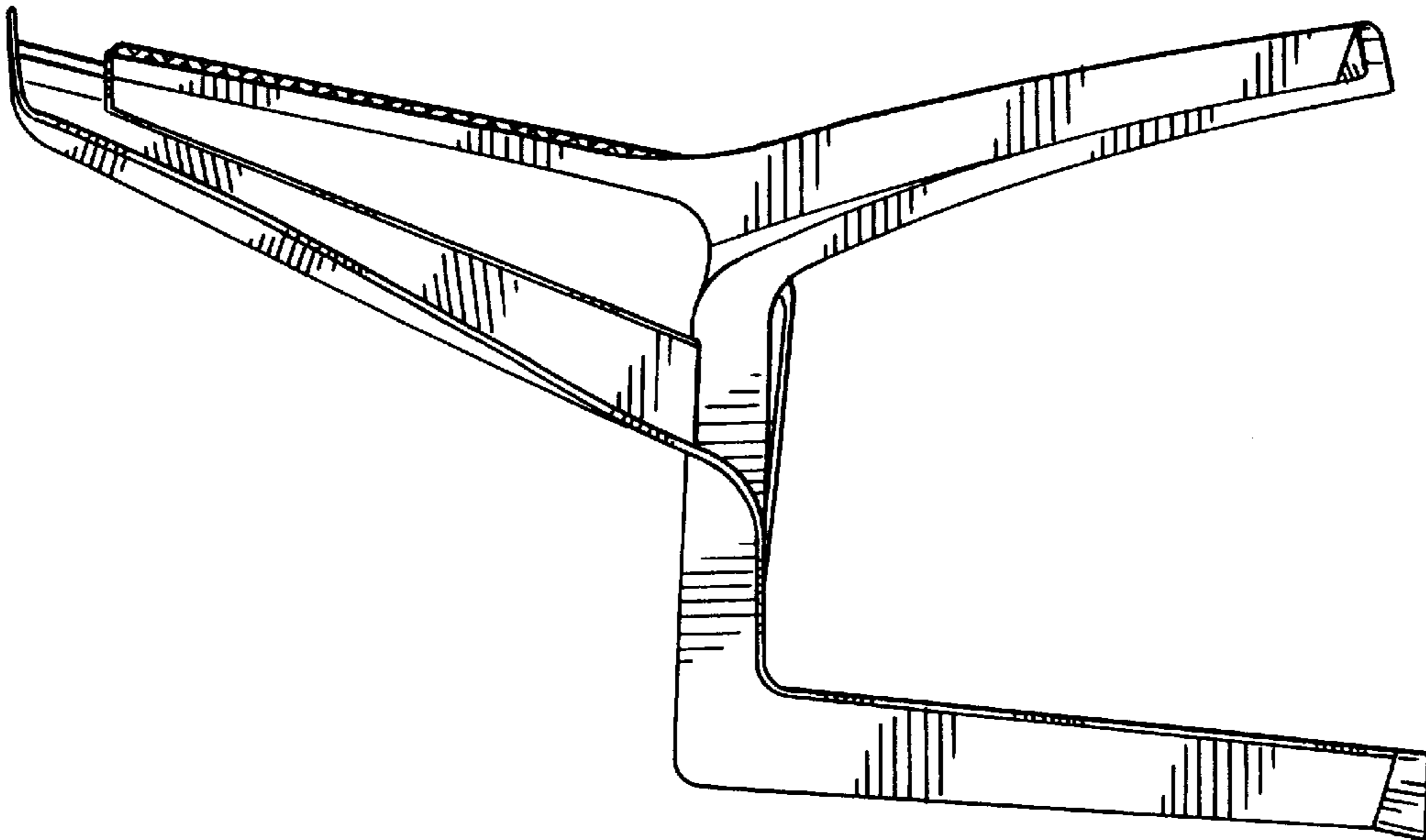


FIG. 4