



US00D419318S

# United States Patent [19]

Hand et al.

[11] Patent Number: **Des. 419,318**

[45] Date of Patent: **\*\* Jan. 25, 2000**

[54] **CHAIR**

[75] Inventors: **Joseph M. Hand**, Sheboygan Falls;  
**Michael C. Hollen**, Manitowoc; **Brian L. LeMahieu**, Sheboygan, all of Wis.

[73] Assignee: **Bemis Manufacturing Company**,  
Sheboygan Falls, Wis.

[\*\*] Term: **14 Years**

[21] Appl. No.: **29/101,277**

[22] Filed: **Mar. 1, 1999**

[51] **LOC (7) Cl.** ..... **06-01**

[52] **U.S. Cl.** ..... **D6/369; D6/375; D6/380**

[58] **Field of Search** ..... **D6/334, 369, 370,  
D6/374, 375, 376, 380, 500, 501, 502;  
297/239, 445.1, 446.1, 452.64, DIG. 2**

[56] **References Cited**

### U.S. PATENT DOCUMENTS

D. 237,229 10/1975 Sebel ..... D6/375

D. 265,614 8/1982 Massonett ..... D6/375  
D. 323,079 1/1992 Hubert ..... D6/380  
D. 336,384 6/1993 Grosfillex ..... D6/375  
D. 340,366 10/1993 LaMalle ..... D6/375  
D. 373,478 9/1996 Grosfillex ..... D6/369  
D. 399,354 10/1998 Westerburgen ..... D6/380

*Primary Examiner*—Gary D. Watson  
*Attorney, Agent, or Firm*—Michael Best & Friedrich LLP

### [57] CLAIM

The ornamental design for a chair, as shown and described.

### DESCRIPTION

FIG. 1 is a perspective view of a chair showing our new design;

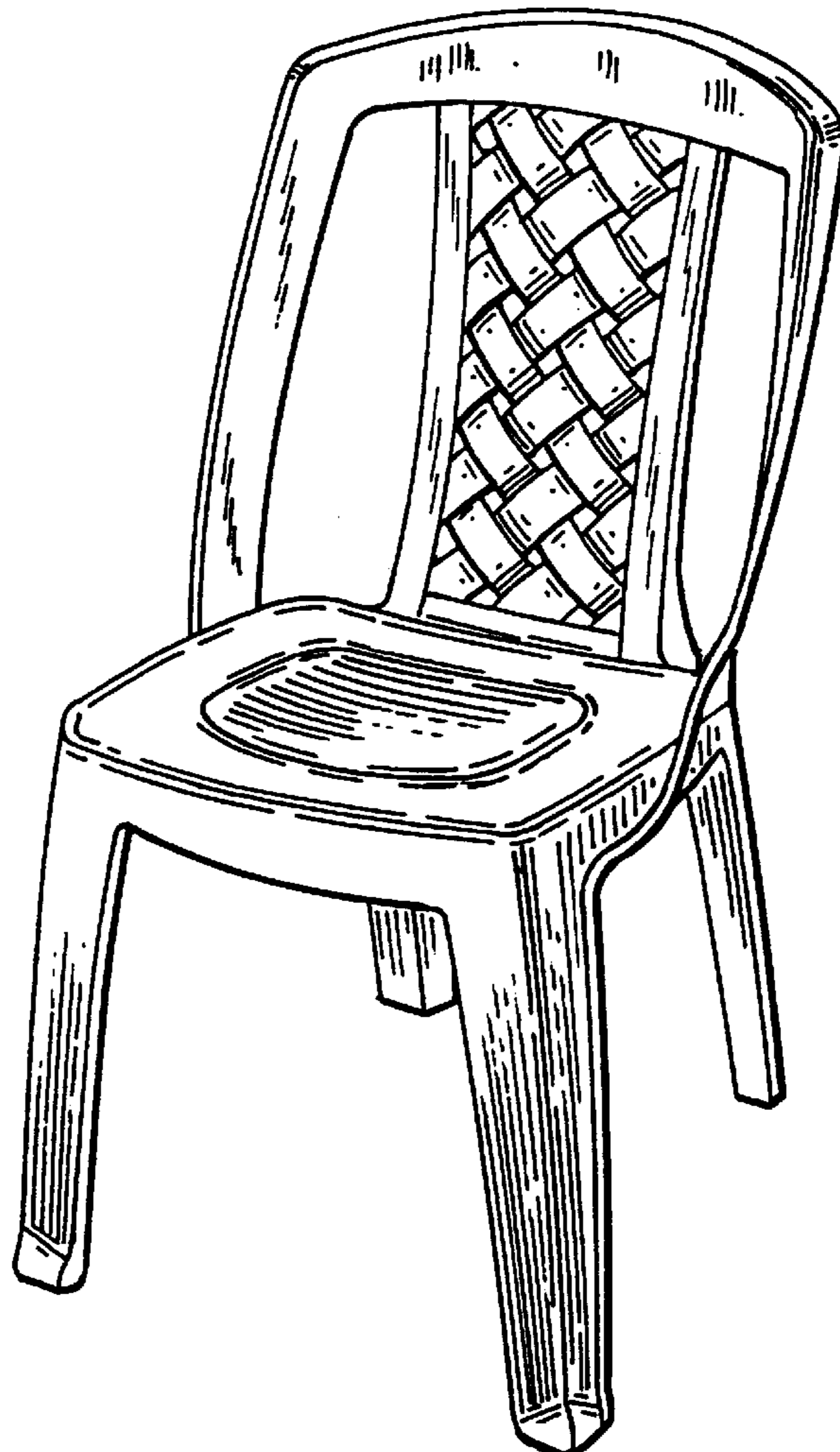
FIG. 2 is a front elevational view thereof;

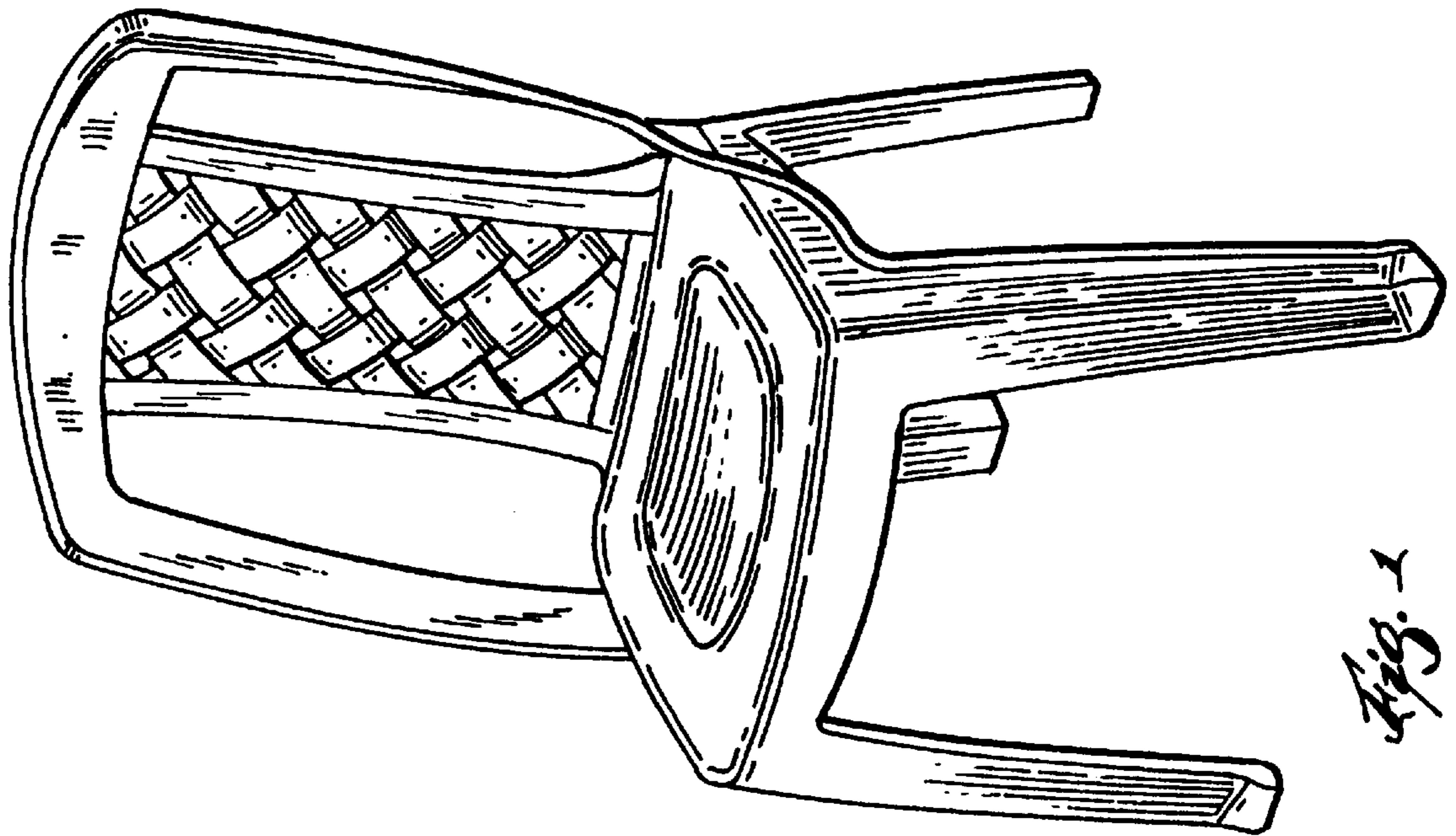
FIG. 3 is a left side elevational view thereof, the right side view being a mirror image of that shown; and,

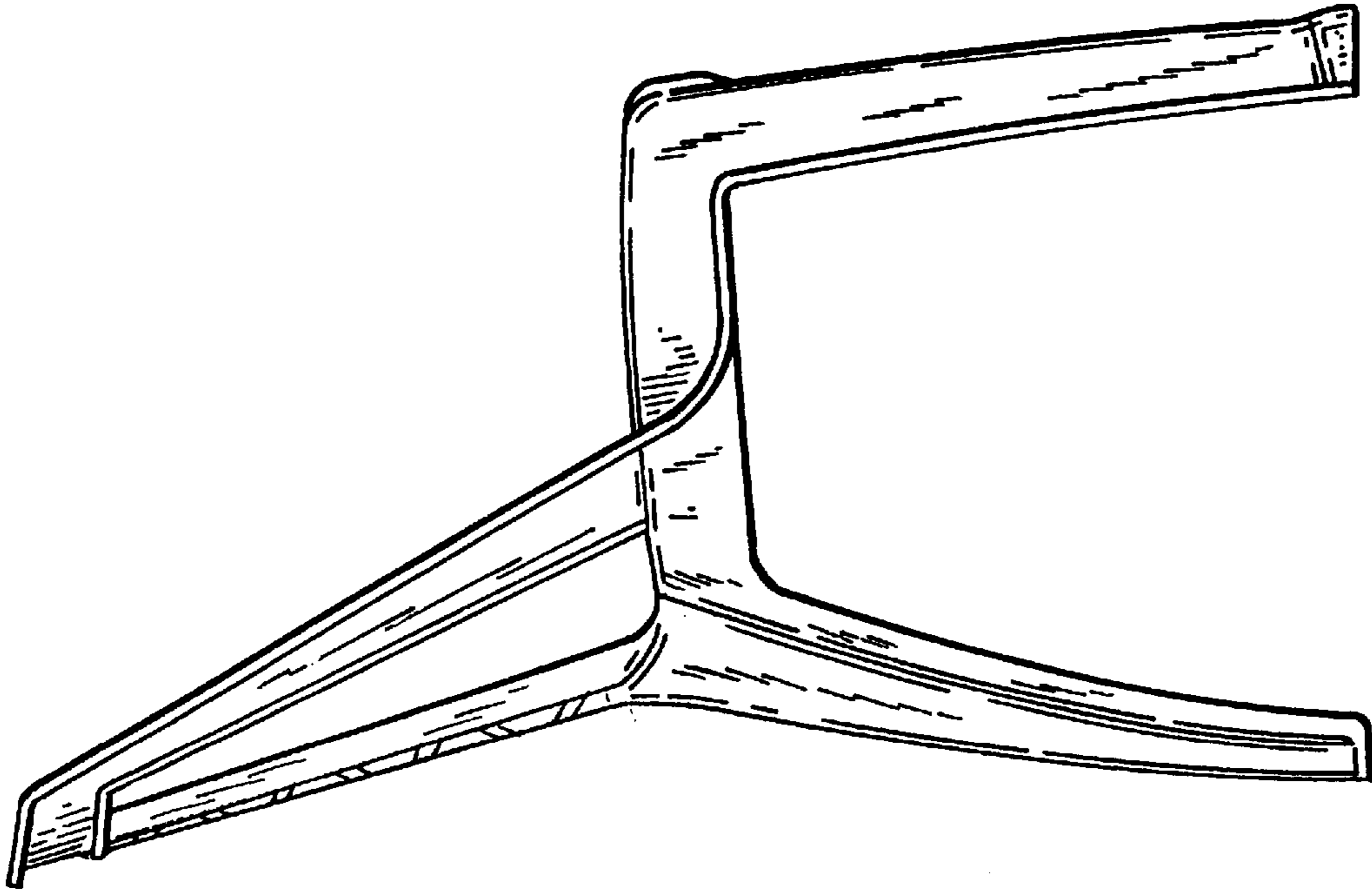
FIG. 4 is a top plan view thereof.

The bottom and rear surfaces of the chair are not part of the design sought to be patented and are therefore not shown.

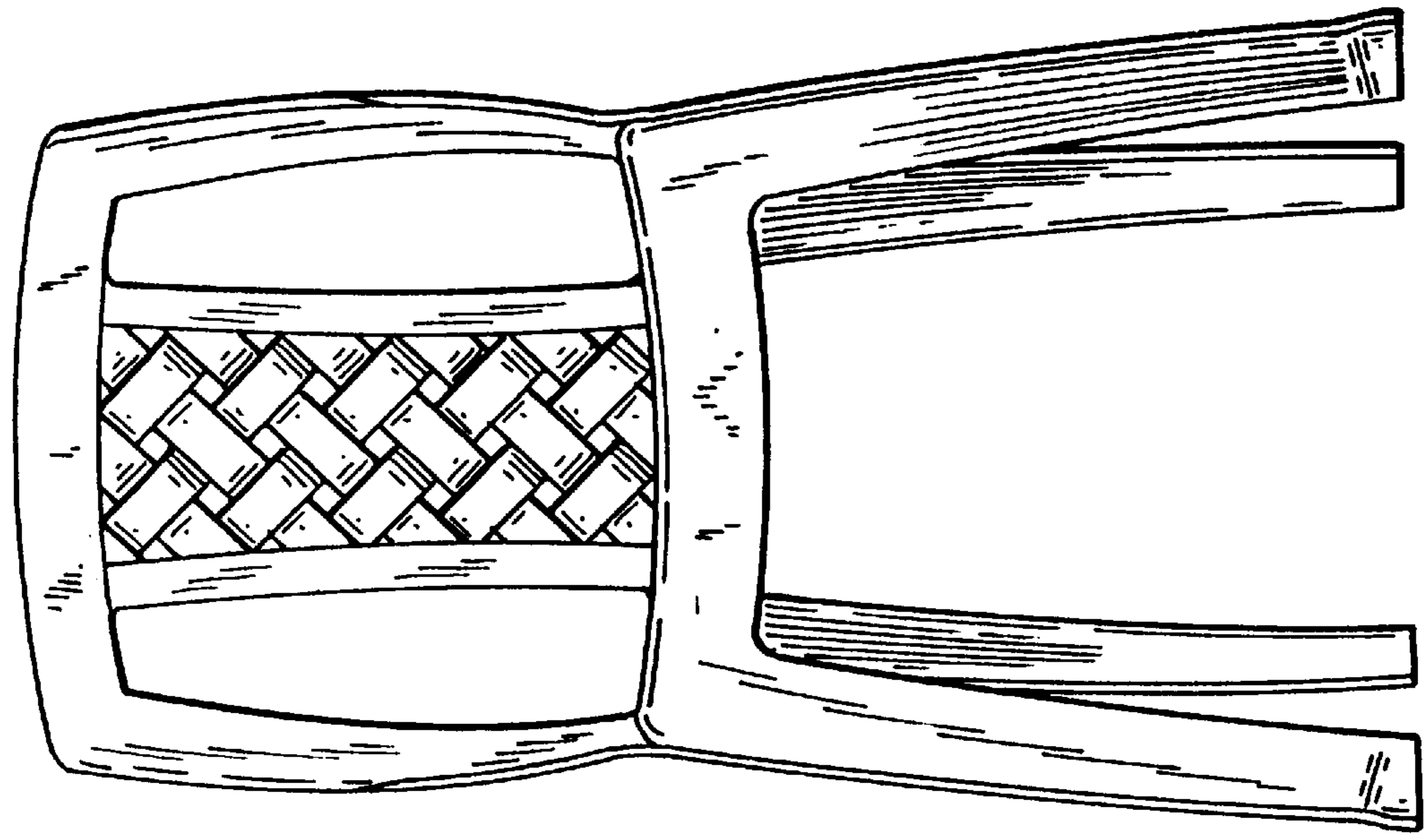
**1 Claim, 3 Drawing Sheets**



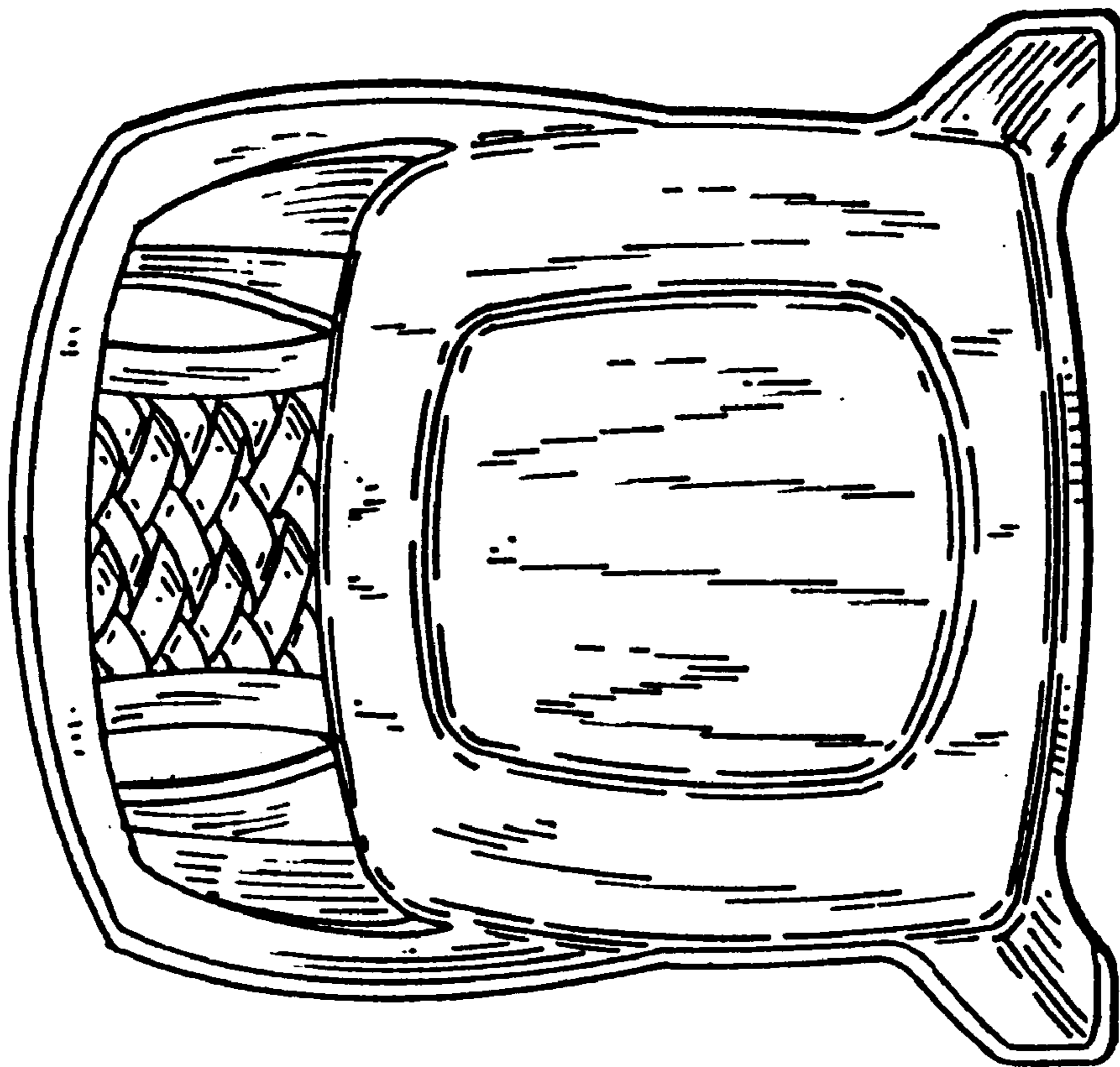




*Fig. 3*



*Fig. 2*



*Fig. 4*