



US00D419311S

# United States Patent [19]

[11] Patent Number: Des. 419,311

Maggeni et al.

[45] Date of Patent: \*\* Jan. 25, 2000

## [54] CHILD'S SEAT

[75] Inventors: **Yohanan Maggeni**, Moshav Ilaniya;  
**Raanan Volk**, Ramat-Gan, both of  
Israel

[73] Assignee: **Odem Plast Ltd.**, Ramat Hagolan,  
Israel

[\*\*] Term: **14 Years**

[21] Appl. No.: **29/083,897**

[22] Filed: **Feb. 19, 1998**

### [30] Foreign Application Priority Data

Aug. 21, 1997 [IL] Israel ..... 28430

[51] LOC (7) Cl. .... **06-01**

[52] U.S. Cl. .... **D6/333; D6/339**

[58] Field of Search ..... D6/333, 334, 335,  
D6/336, 338, 339, 500, 501, 502; 297/153,  
467

### [56] References Cited

#### U.S. PATENT DOCUMENTS

D. 356,689	3/1995	Mariol	.....	D6/333
D. 364,746	12/1995	Lerner et al.	.....	D6/333
D. 367,368	2/1996	Drane	.....	D6/333
D. 374,125	10/1996	Bernstein et al.	.....	D6/333
D. 383,911	9/1997	Conforti et al.	.....	D6/333
5,609,389	3/1997	Longoria et al.	.....	297/467

*Primary Examiner*—Doris V. Coles  
*Assistant Examiner*—Mimosa De  
*Attorney, Agent, or Firm*—Oliff & Berridge, PLC

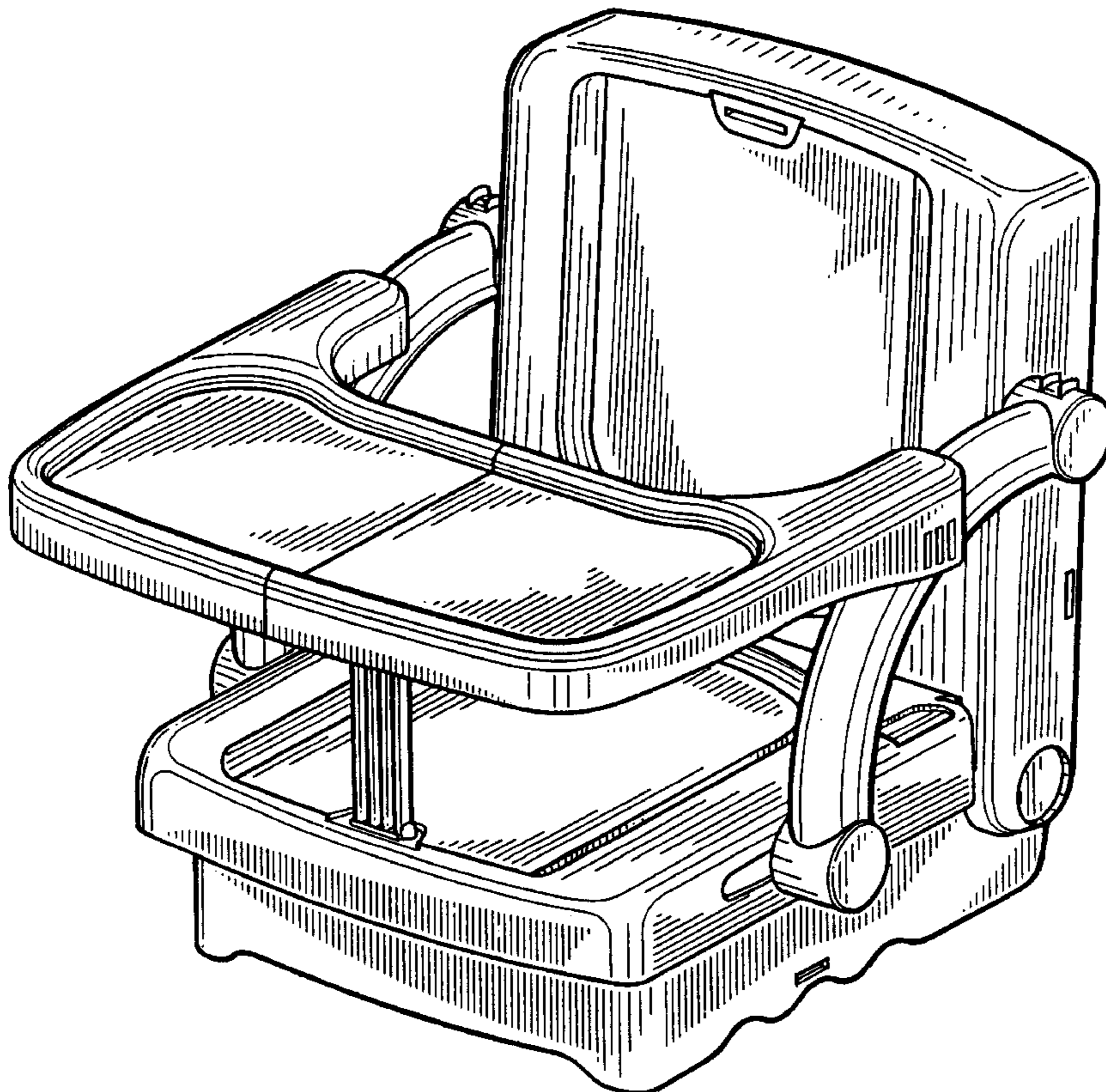
### [57] CLAIM

The ornamental design for a child's seat, as shown and described.

### DESCRIPTION

FIG. 1 is an isometric view of a child's seat showing our new design, it being understood that the tray is omitted in all remaining views for convenience of illustration;  
FIG. 2 is a front view thereof;  
FIG. 3 is a top view thereof;  
FIG. 4 is a side view thereof;  
FIG. 5 is a view from another side thereof;  
FIG. 6 is a bottom view thereof;  
FIG. 7 is a rear view thereof;  
FIG. 8 is a side view in folded position;  
FIG. 9 is a view from another side in folded position;  
FIG. 10 is an isometric view in folded position;  
FIG. 11 is an isometric view thereof;  
FIG. 12 is a rear view in folded position;  
FIG. 13 is a bottom view in fold position;  
FIG. 14 is a front view in folded position;  
FIG. 15 is a top view in folded position;  
FIG. 16 is an isometric view thereof in an alternative position rotated 90 degree; and,  
FIG. 17 is an isometric view thereof with restraining straps which have been omitted in all previous views for convenience of illustration.

**1 Claim, 10 Drawing Sheets**



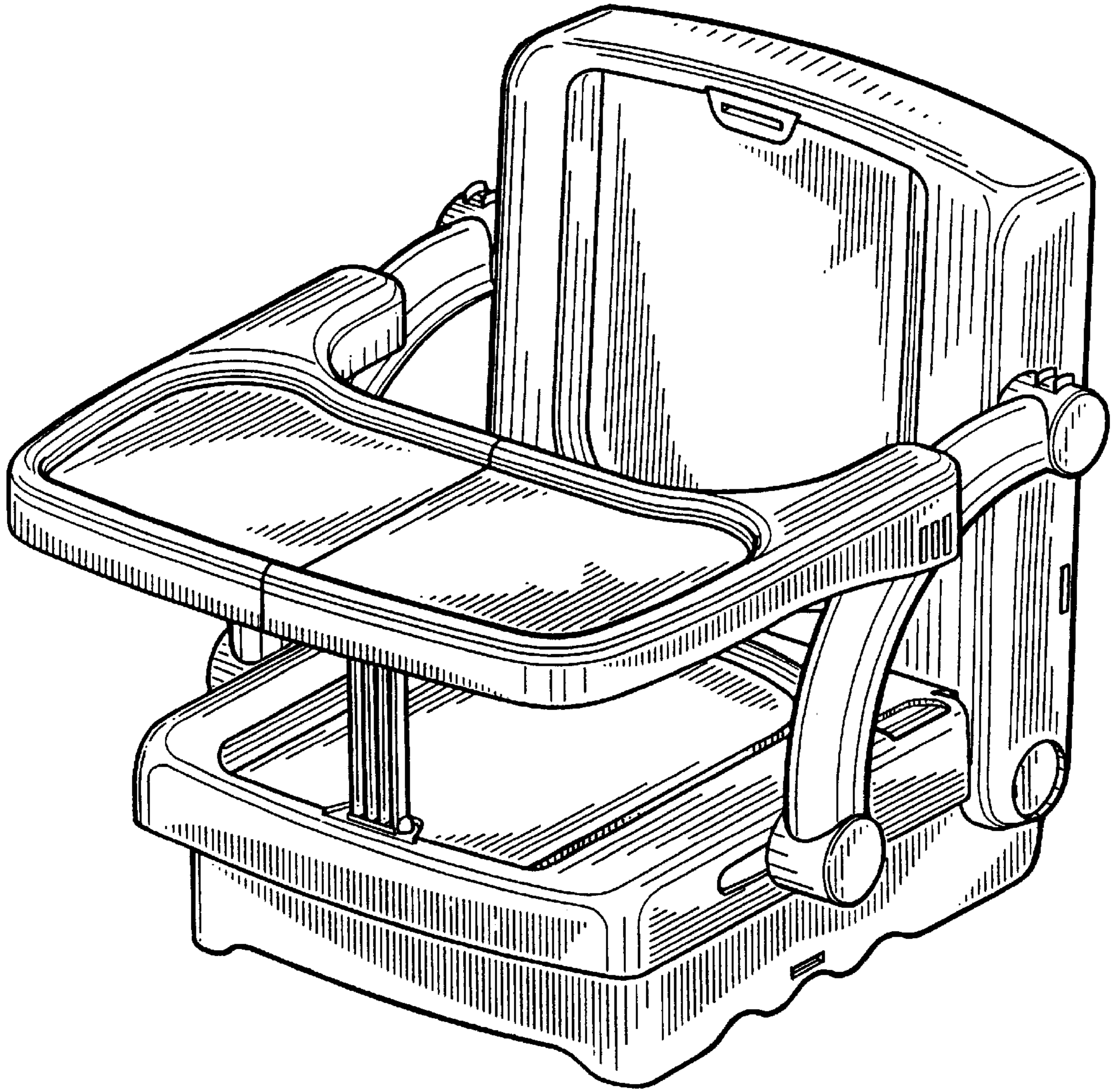


FIG. 1

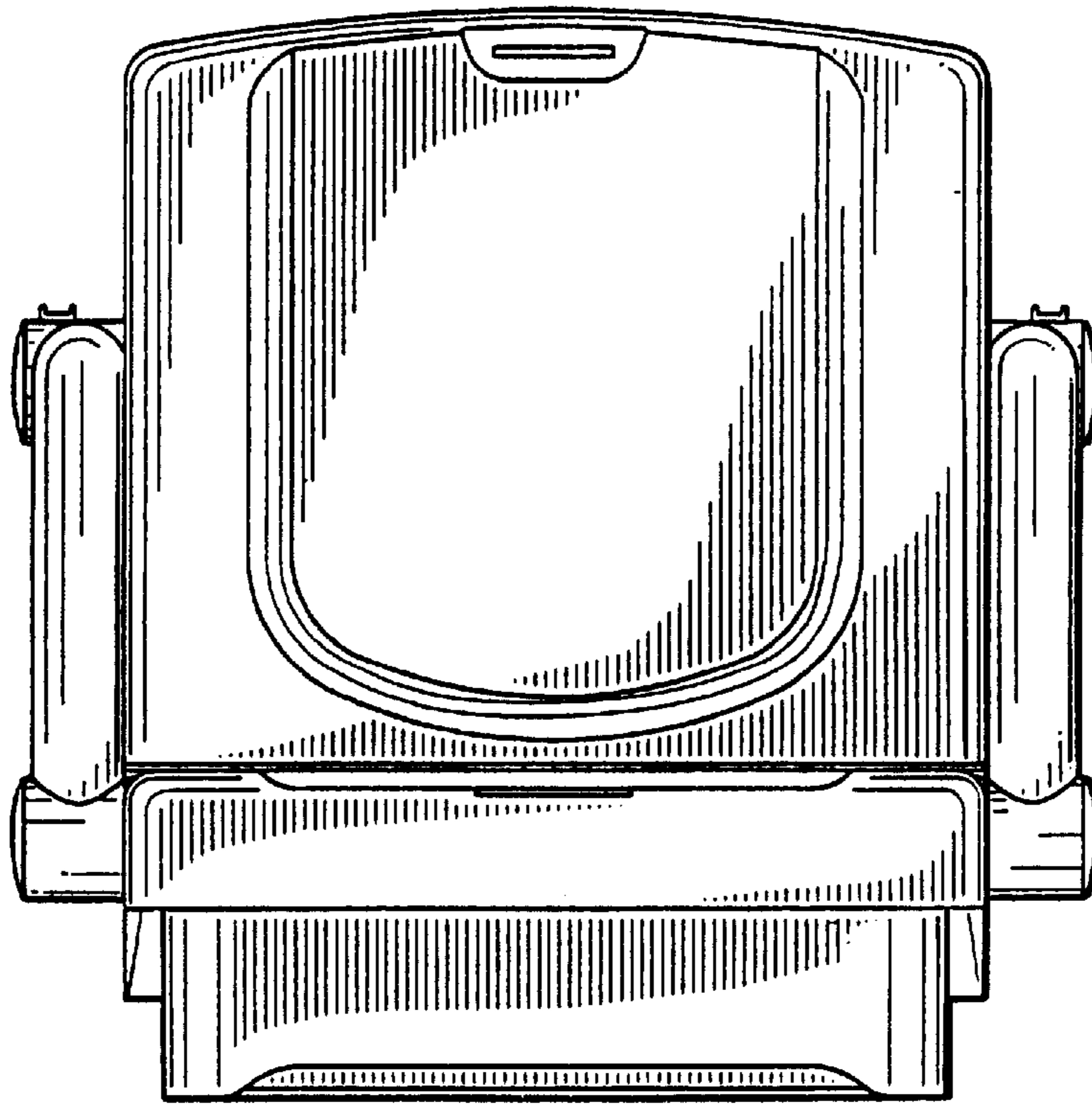


FIG. 2

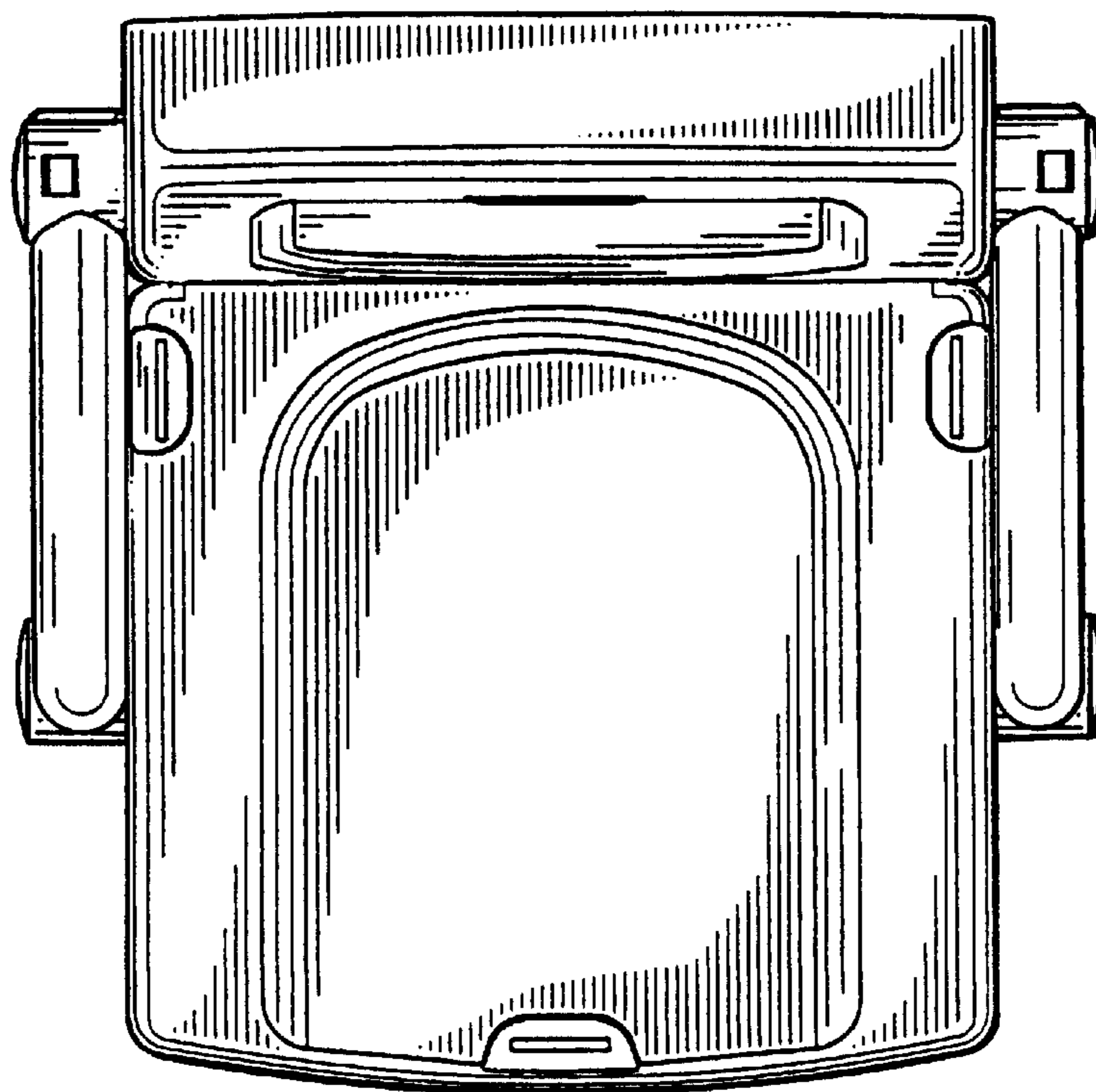


FIG. 3

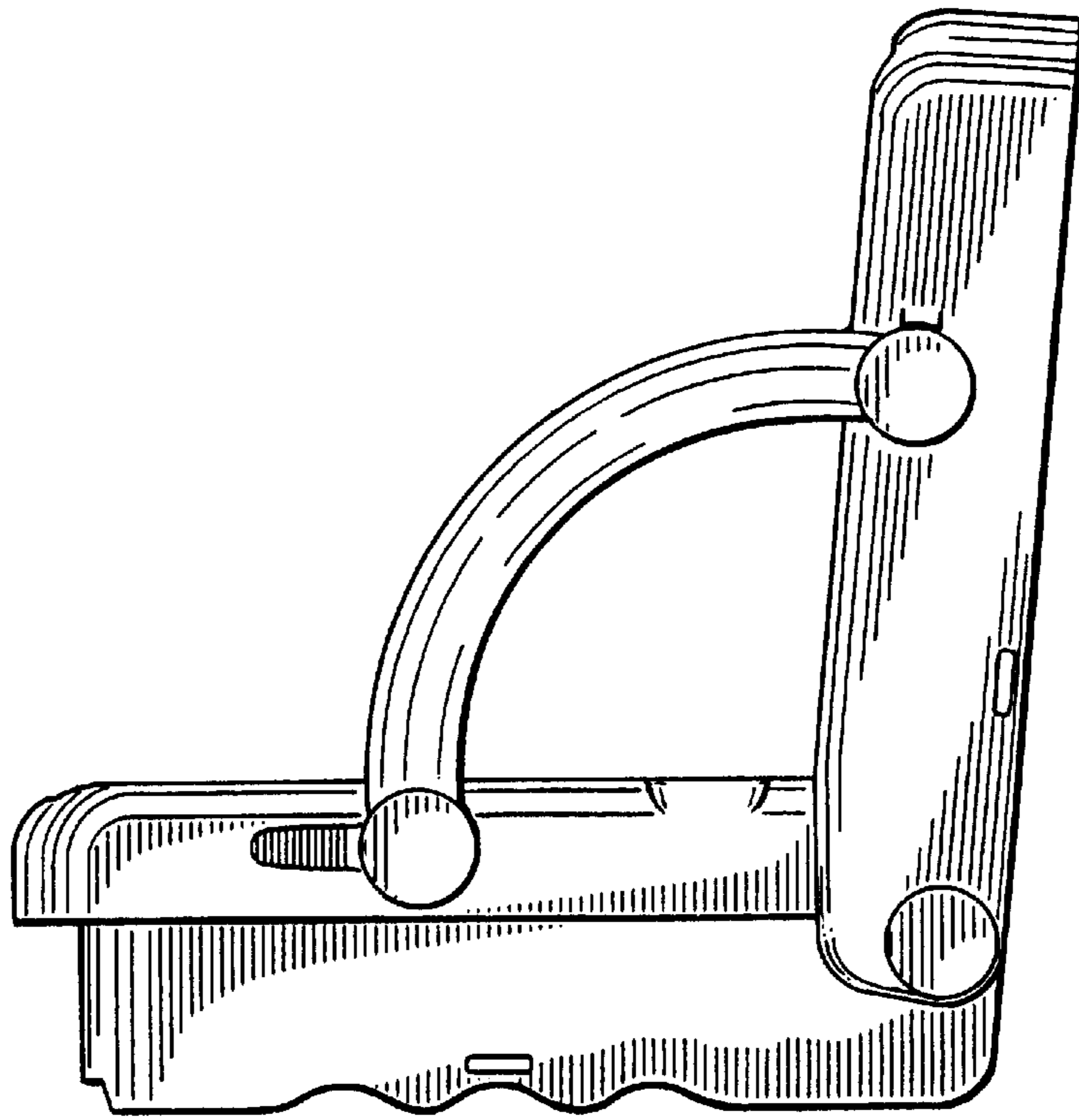


FIG. 4

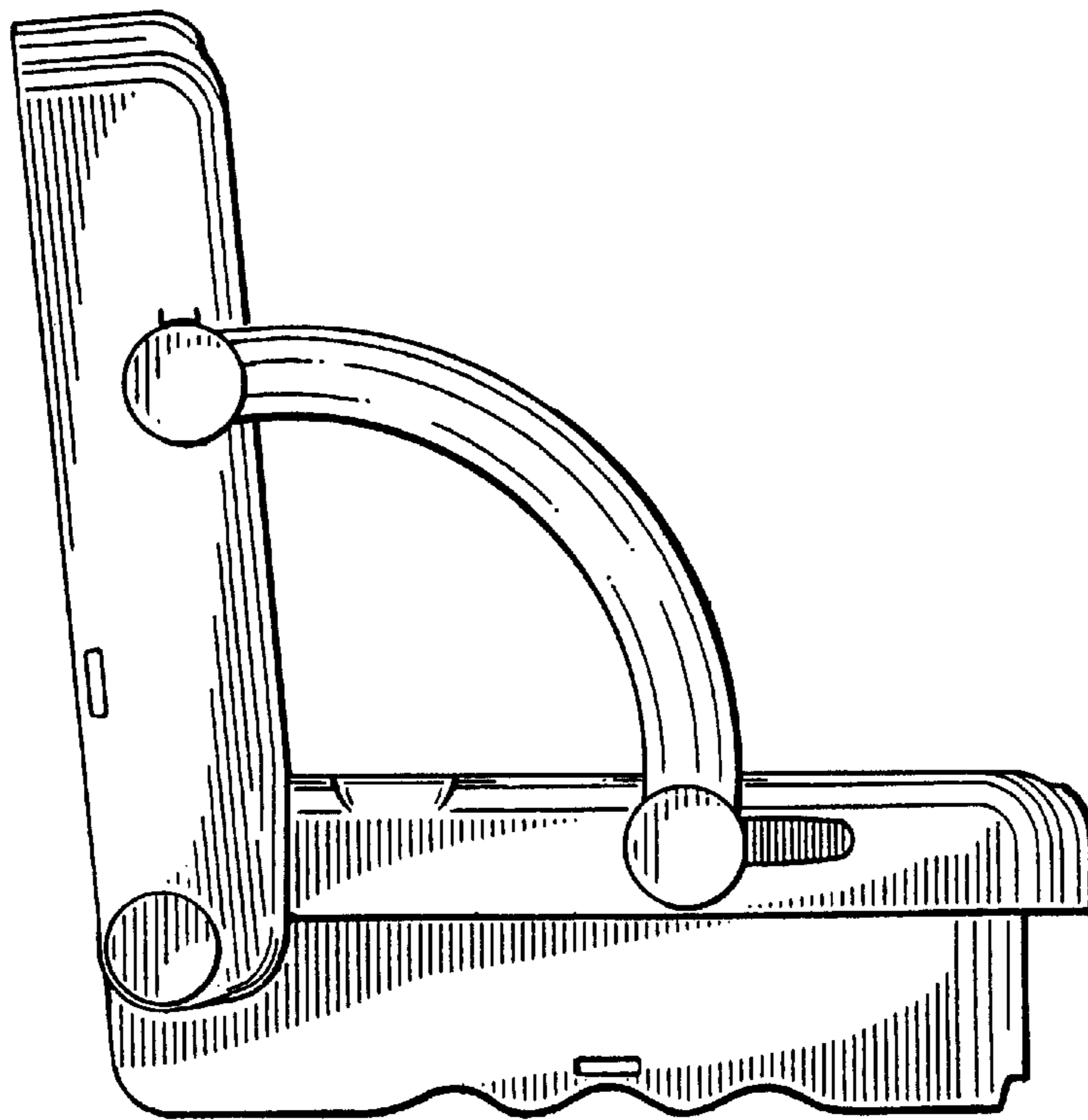


FIG. 5

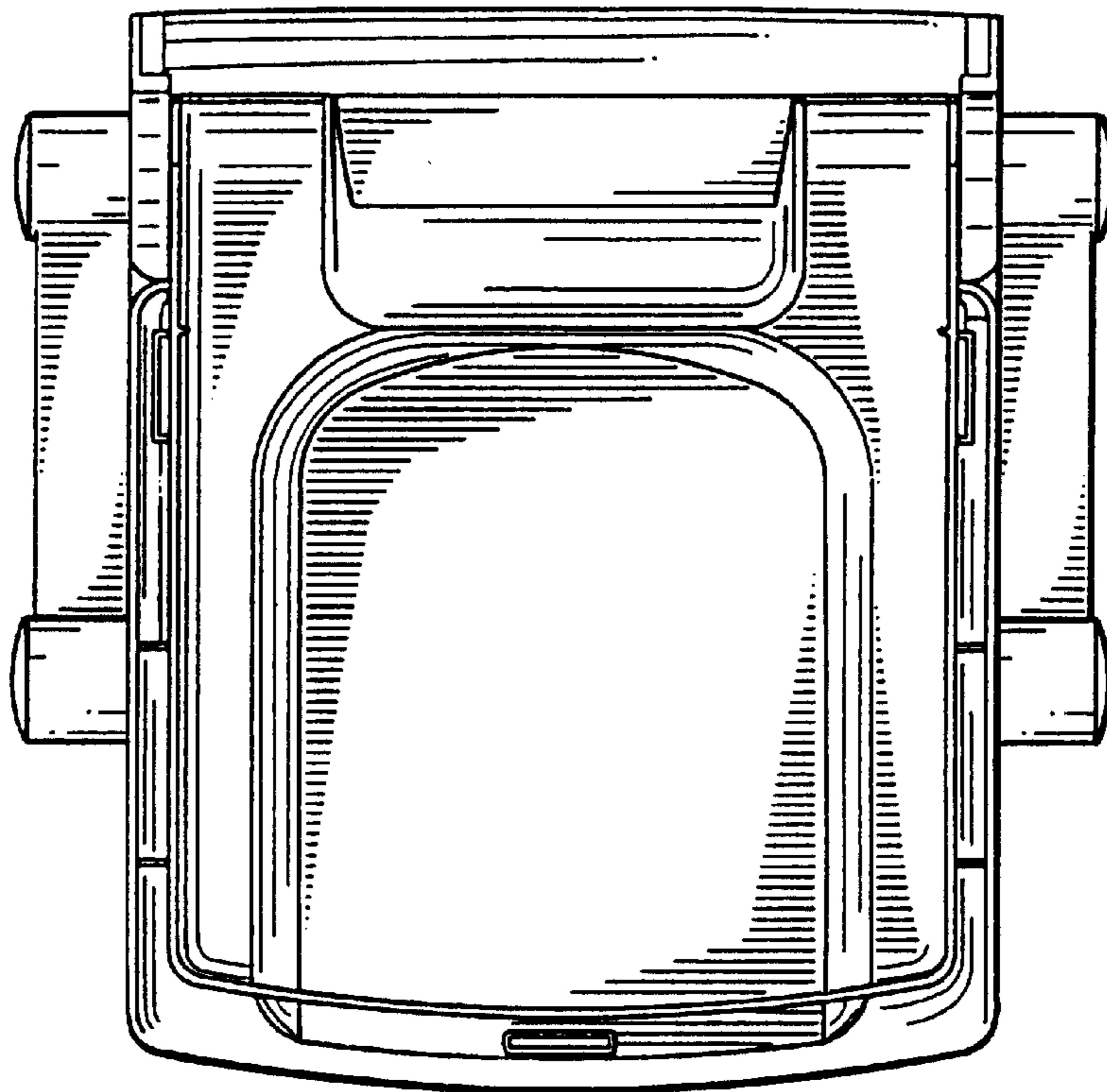


FIG. 6

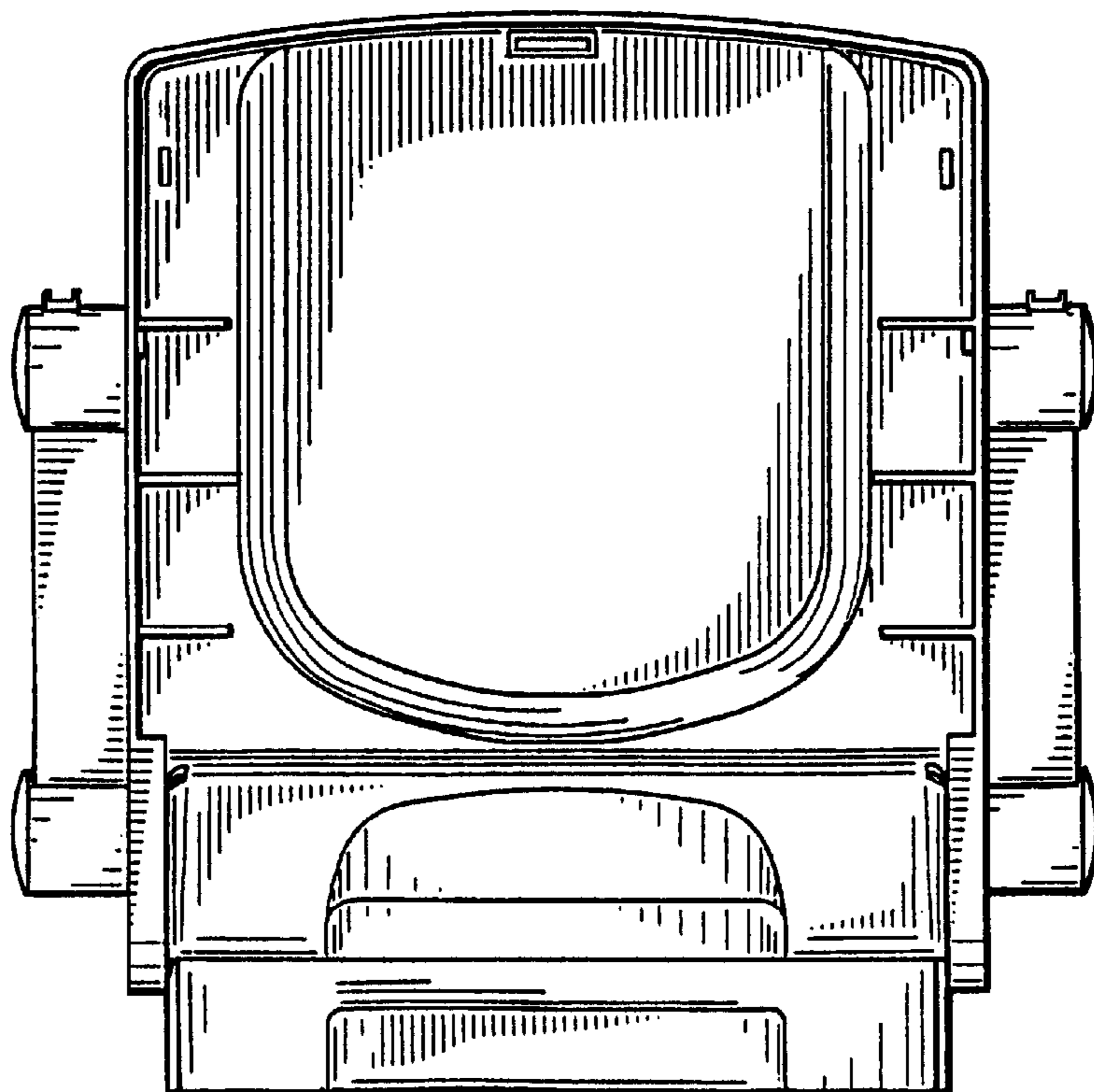


FIG. 7

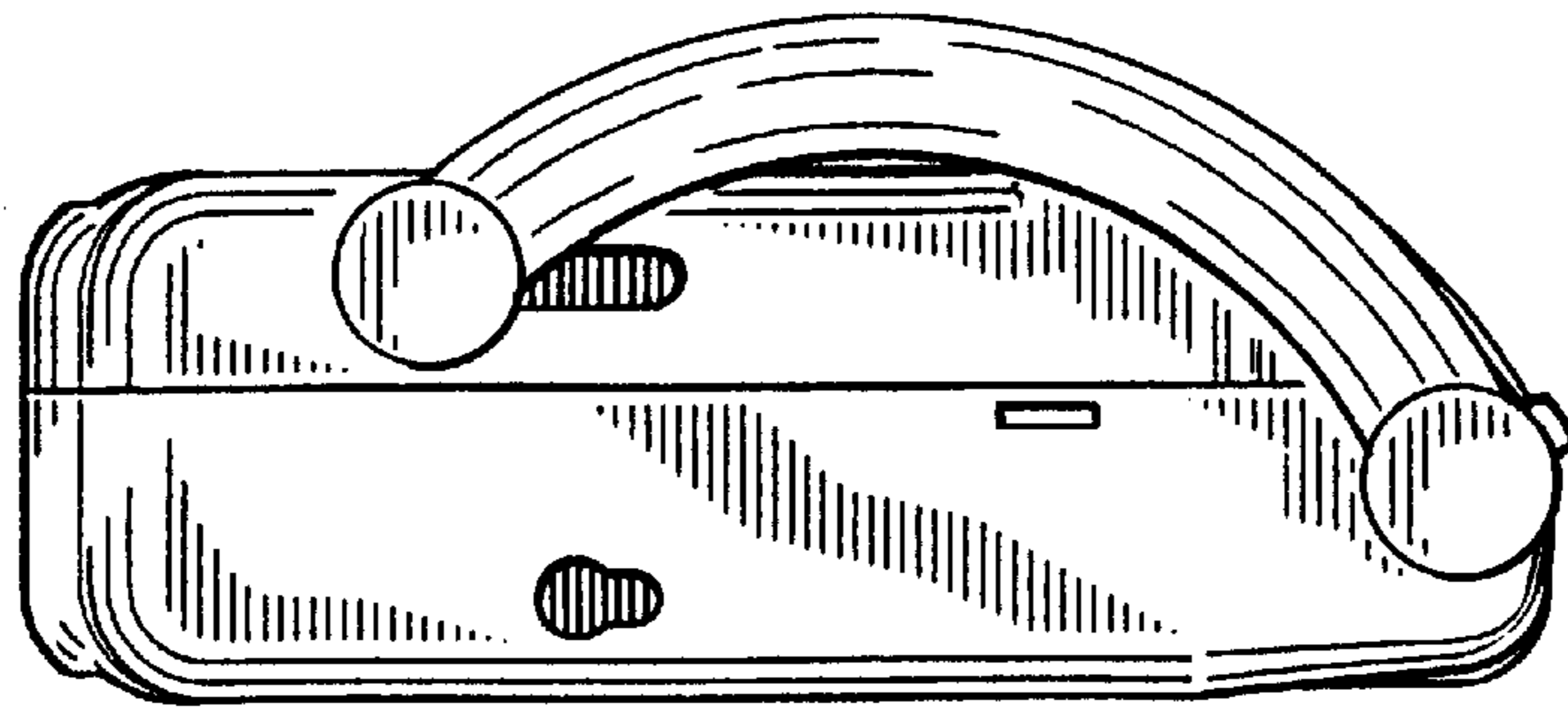


FIG. 8

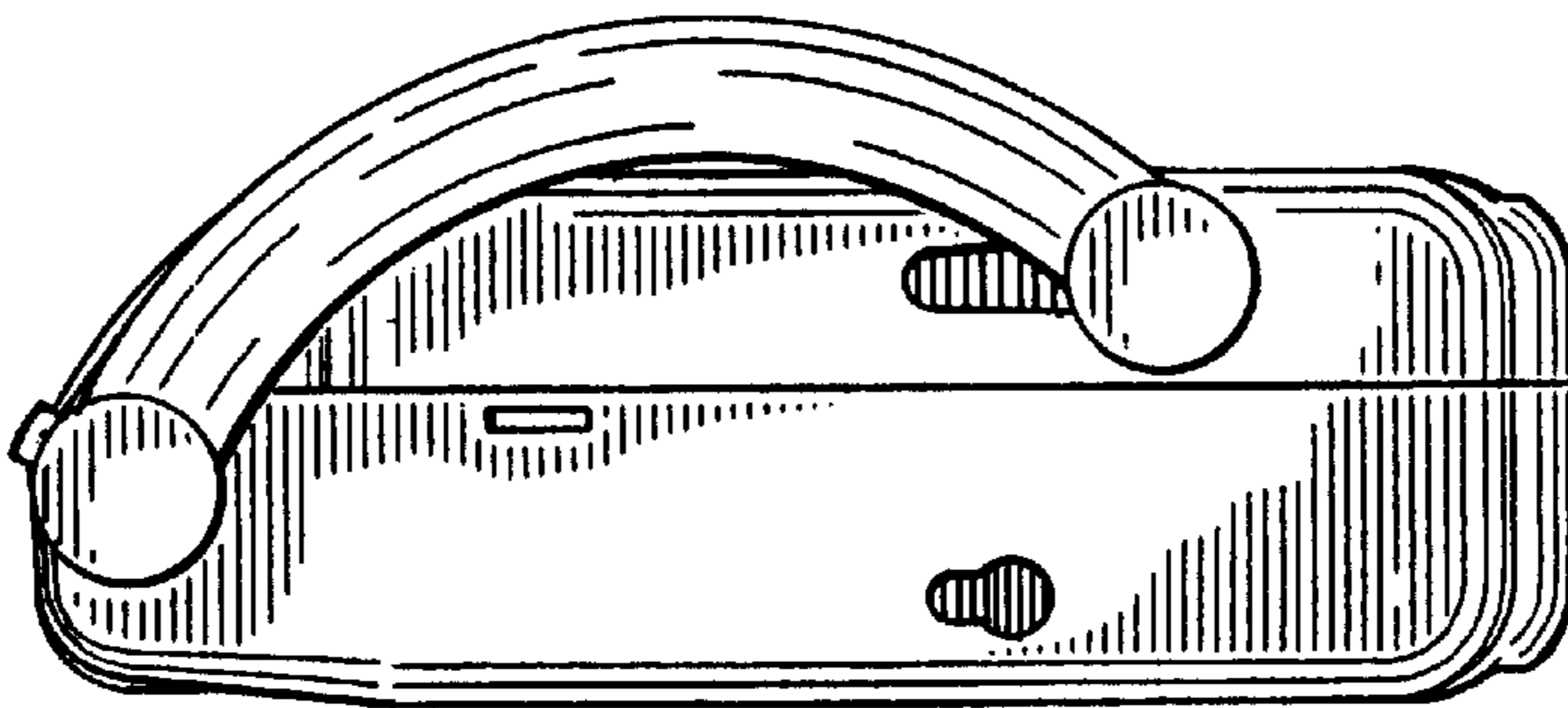


FIG. 9

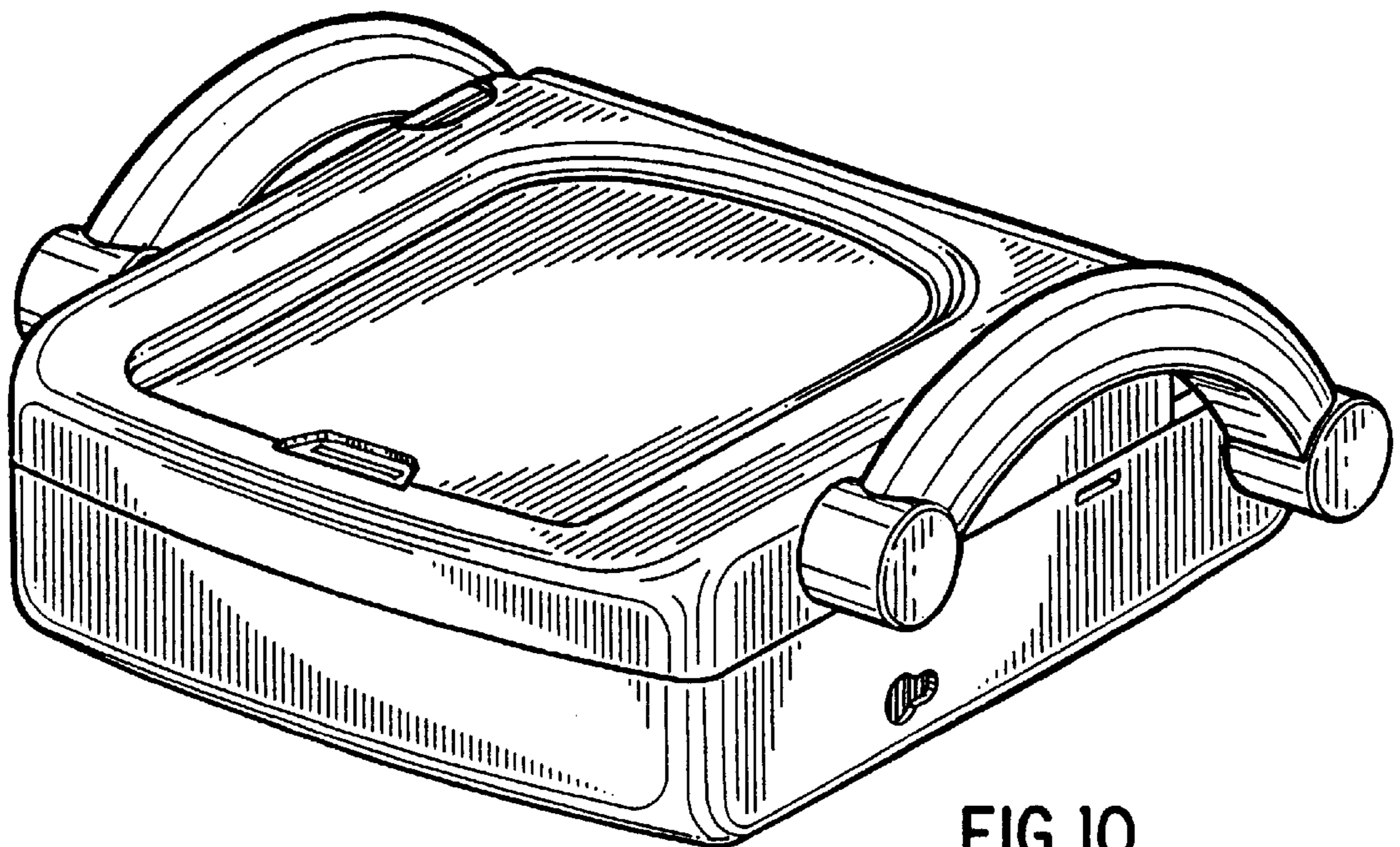


FIG. 10

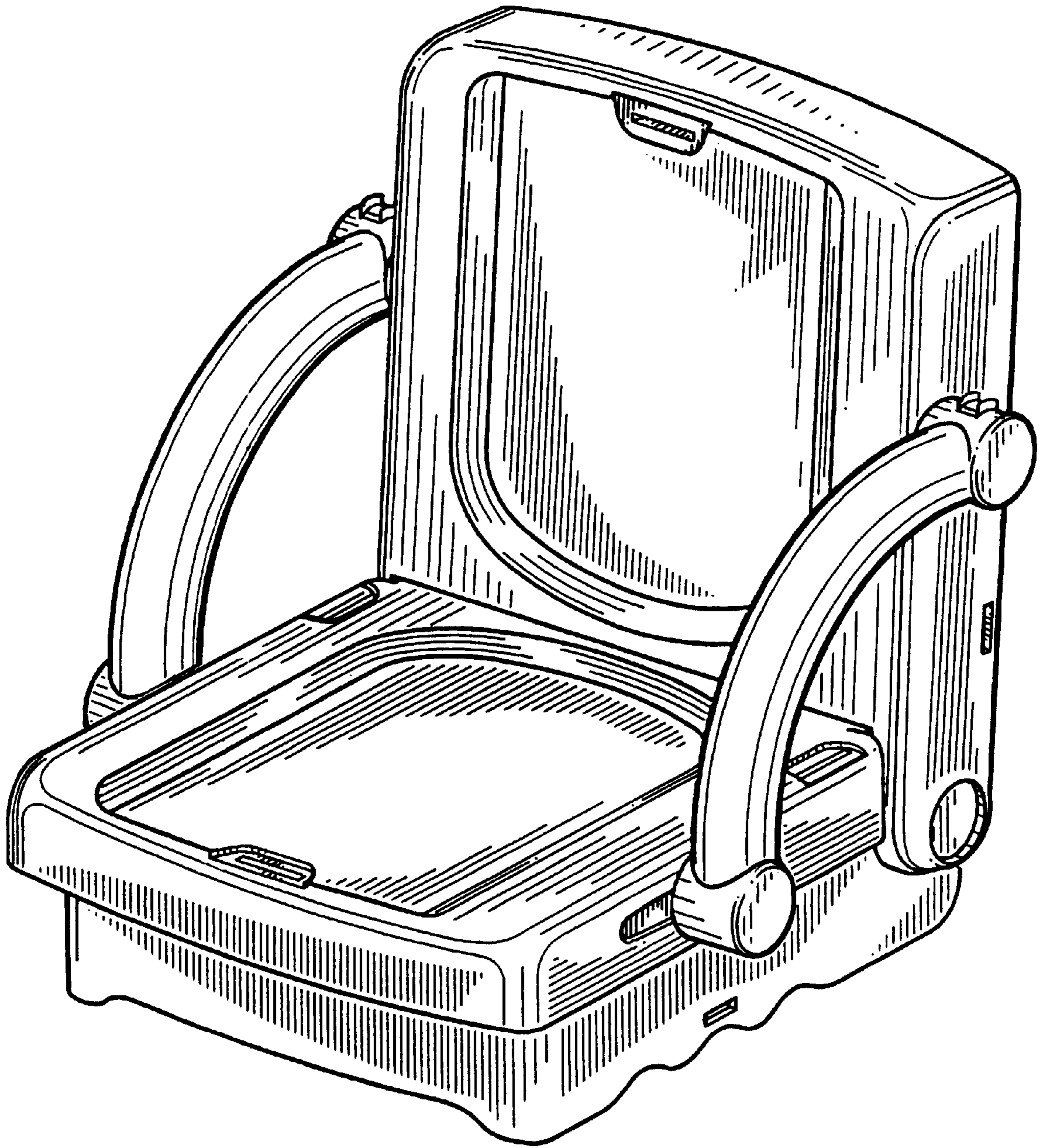


FIG. 11

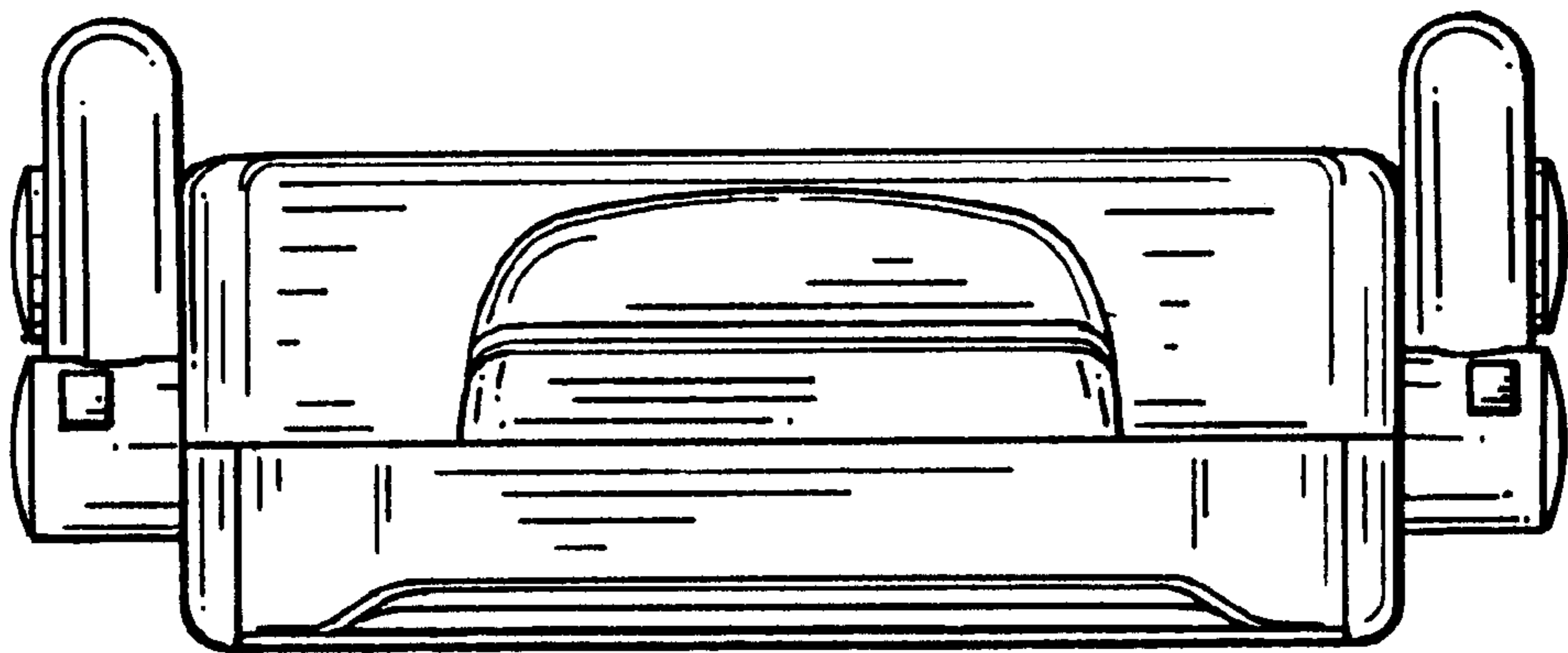


FIG.12

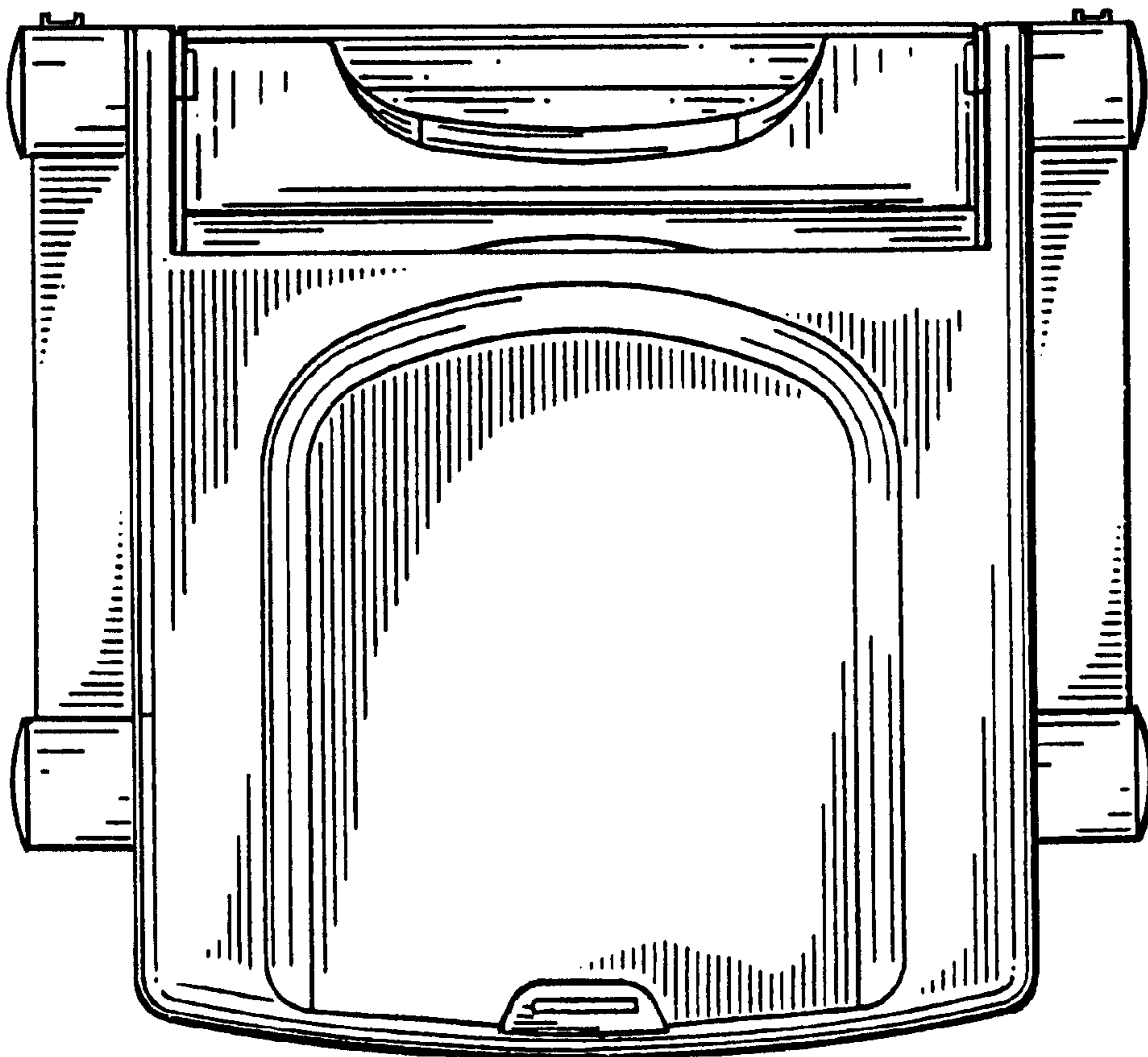


FIG.13



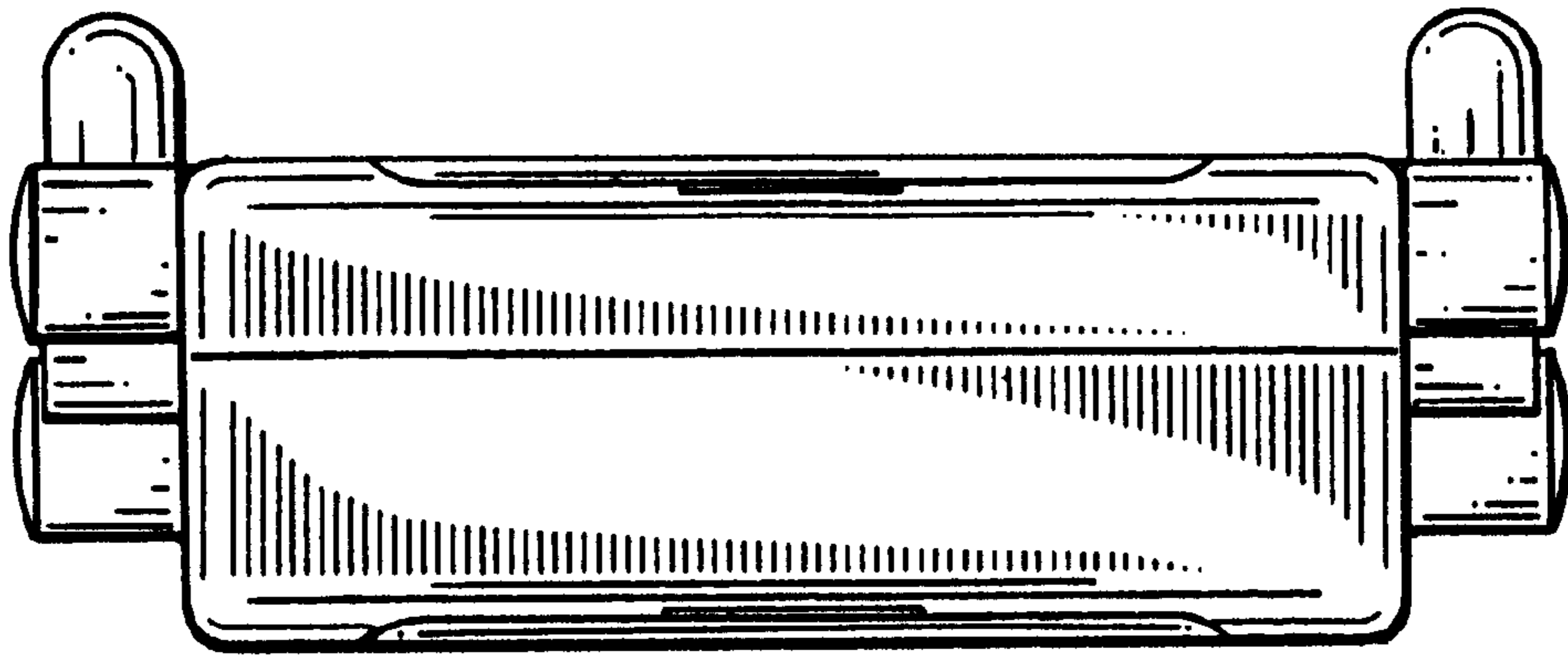


FIG.14

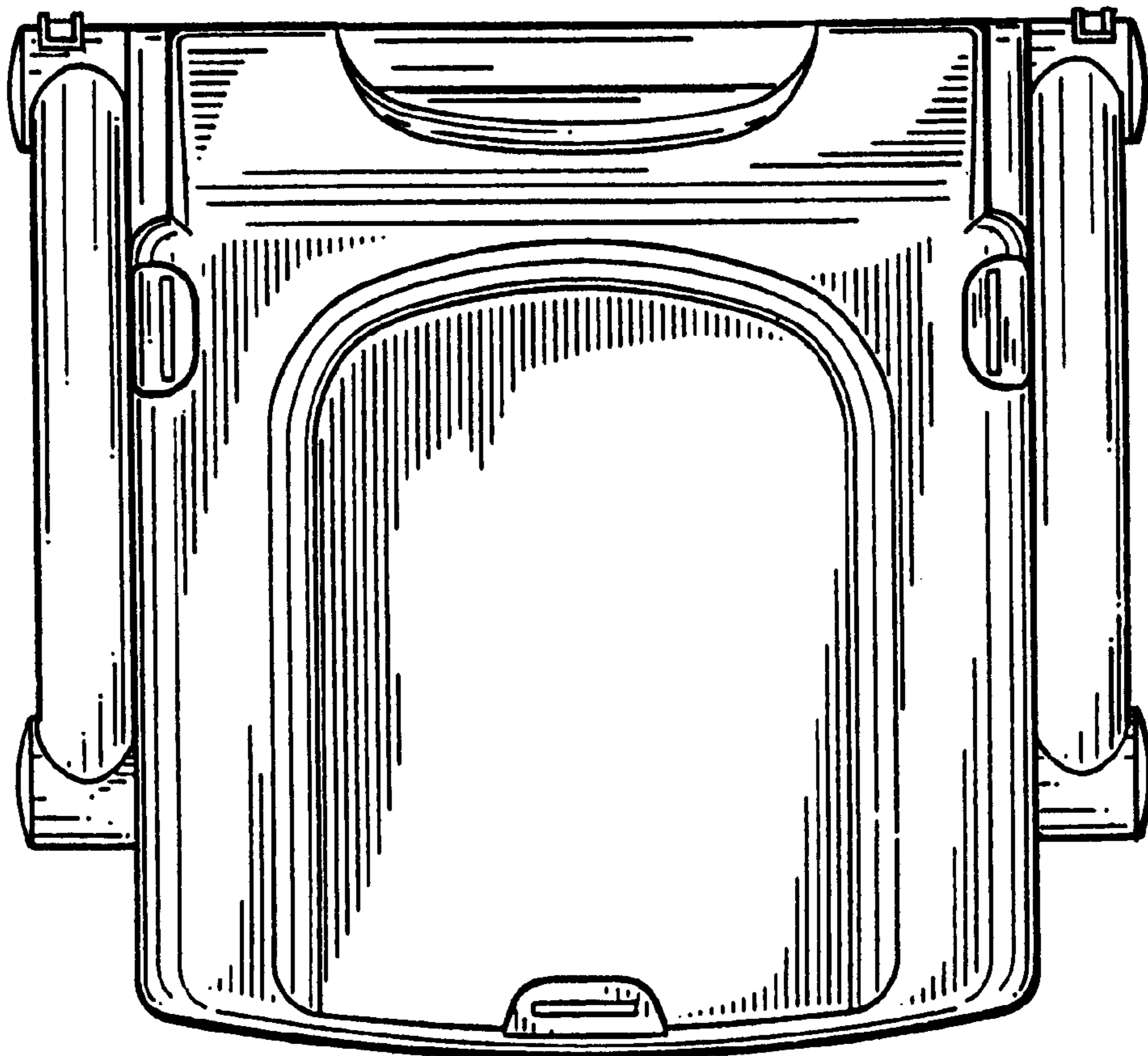


FIG.15

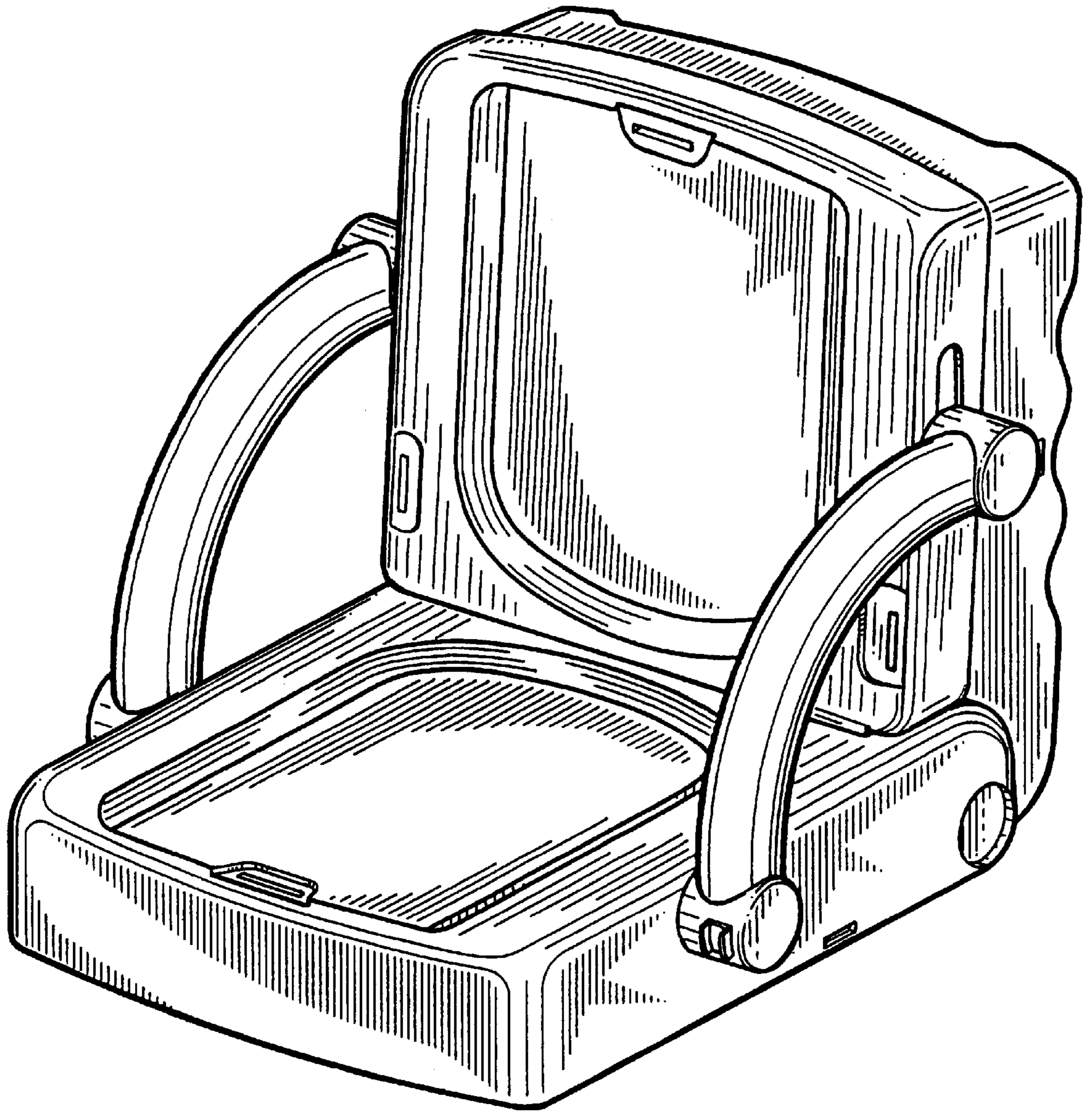


FIG.16

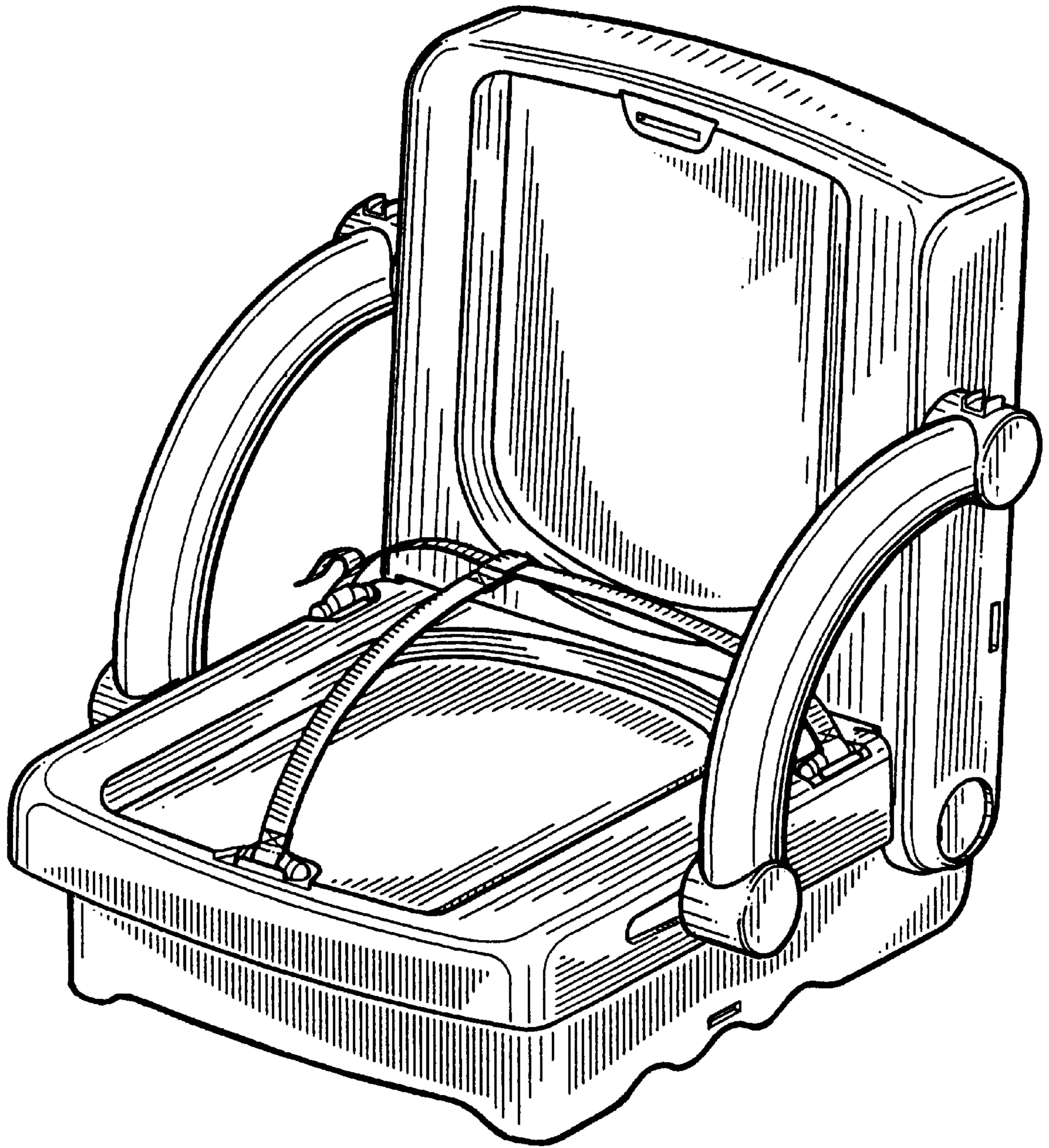


FIG.17