



US00D419310S

**United States Patent** [19]  
**Abdi**

[11] **Patent Number: Des. 419,310**  
[45] **Date of Patent: \*\* Jan. 25, 2000**

[54] **SWIVEL HANGER**

**DESCRIPTION**

[76] Inventor: **Abraham Abdi**, 2738 N. Talbot,  
Orange, Calif. 92867

[\*\*] Term: **14 Years**

[21] Appl. No.: **29/101,589**

[22] Filed: **Mar. 8, 1999**

[51] **LOC (7) Cl.** ..... **06-08**

[52] **U.S. Cl.** ..... **D6/317; D6/319**

[58] **Field of Search** ..... D6/315, 317-319,  
D6/326, 513; 211/113, 119; 223/85, 87-89,  
91-94, 96

[56] **References Cited**

**U.S. PATENT DOCUMENTS**

D. 140,337	2/1945	Hill .	
D. 269,238	6/1983	Bisk et al. .	
D. 295,579	5/1988	Arnold .....	D6/317
D. 318,573	7/1991	Abdi .....	D6/319
D. 340,137	10/1993	Tocci .....	D6/317
D. 408,156	4/1999	Eiley et al. ....	D6/319

*Primary Examiner*—B. J. Bullock  
*Attorney, Agent, or Firm*—G. Donald Weber, Jr.

[57] **CLAIM**

The ornamental design for a swivel hanger, as shown and described.

FIG. 1 is an oblique view of one embodiment of the swivel hanger of the instant invention.

FIG. 2 is an elevation view of one side of the swivel hanger embodiment of the instant invention as shown in FIG. 1.

FIG. 3 is an elevation view of the opposite side of the swivel hanger embodiment of the instant invention as shown in FIG. 1.

FIG. 4 is a side elevation view of the swivel hanger embodiment of the instant invention taken from the left side of FIG. 1.

FIG. 5 is a side elevation view of the swivel hanger embodiment of the instant invention taken from the right side of FIG. 1.

FIG. 6 is a top view of the swivel hanger embodiment of the instant invention as shown in FIG. 1.

FIG. 7 is a bottom view of the swivel hanger embodiment of the instant invention as shown in FIG. 1.

FIG. 8 is an oblique view of another embodiment of the swivel hanger of the instant invention.

FIG. 9 is an elevation view of one side of the swivel hanger embodiment of the instant invention as shown in FIG. 8. The opposite side is the mirror image.

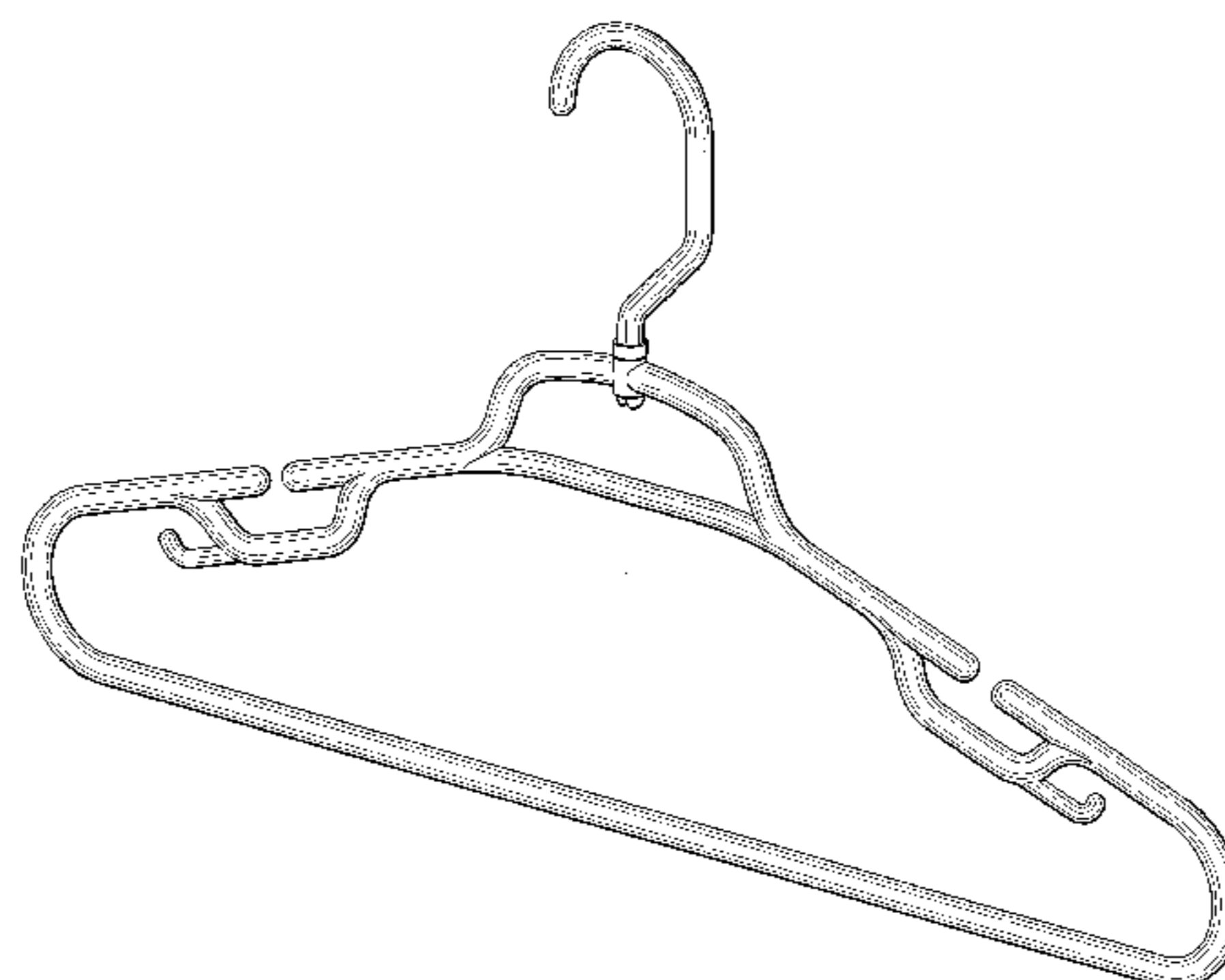
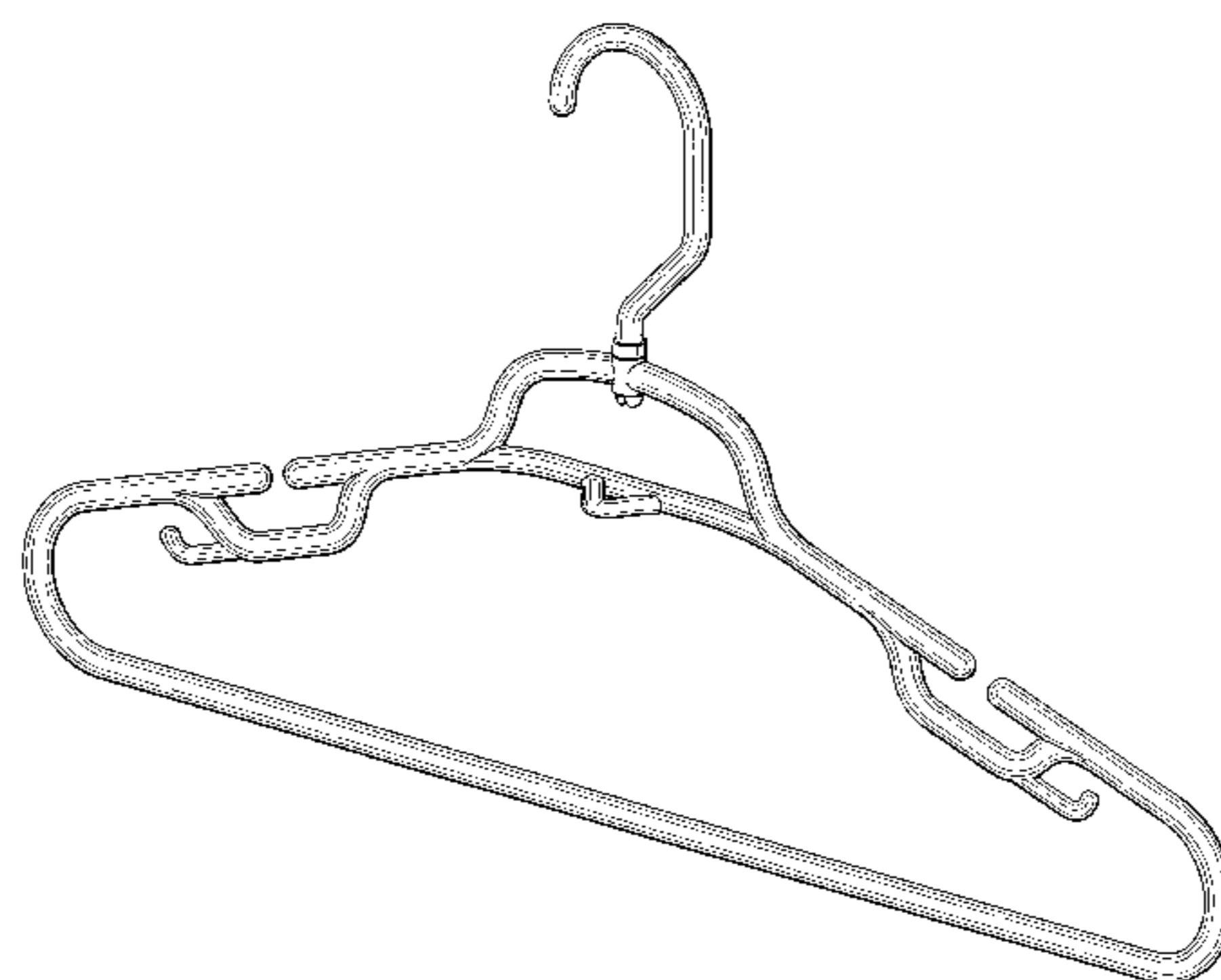
FIG. 10 is a side elevation view of the swivel hanger embodiment of the instant invention taken from the left side of FIG. 8.

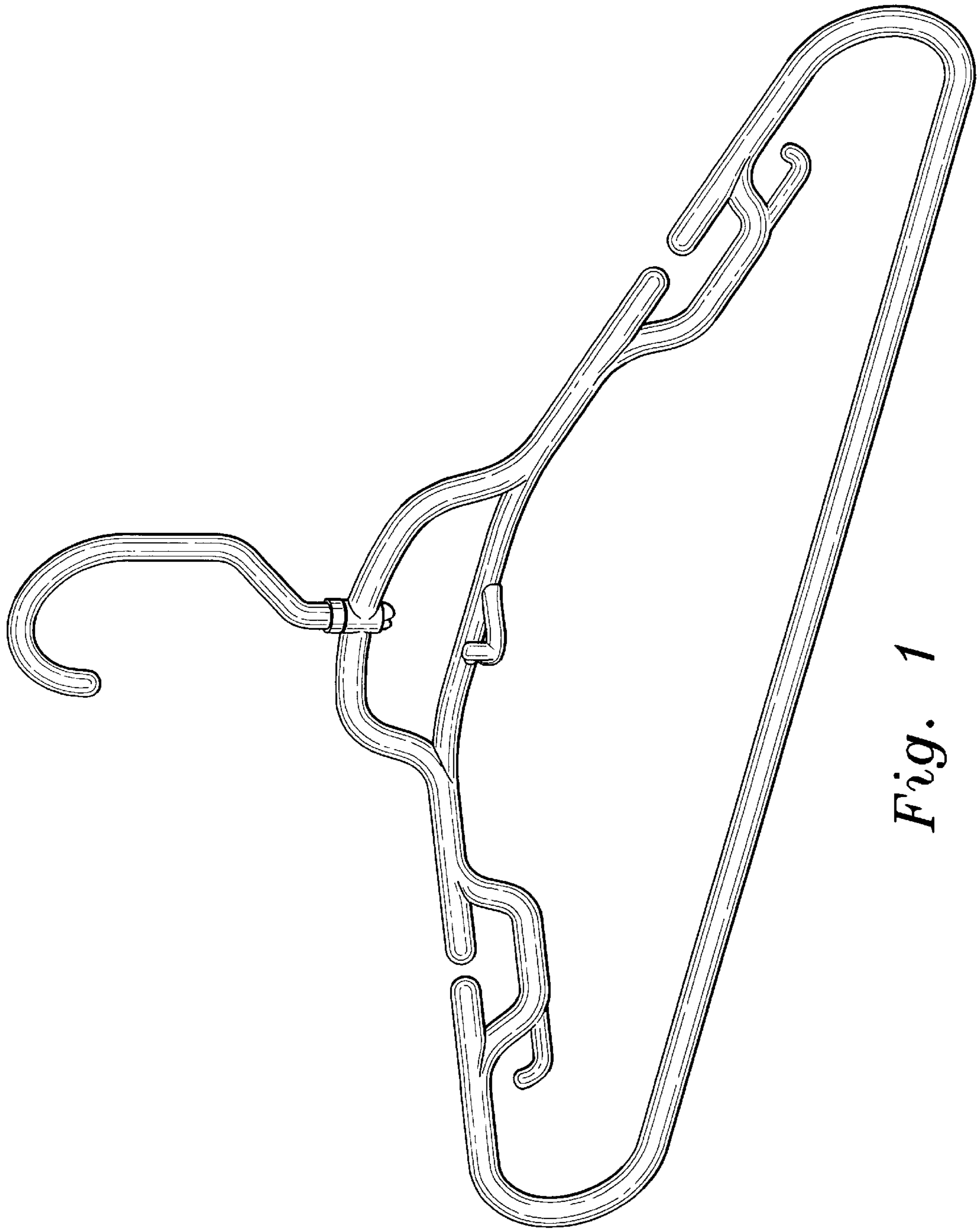
FIG. 11 is a side elevation view of the swivel hanger embodiment of the instant invention taken from the right side of FIG. 8.

FIG. 12 is a top view of the swivel hanger embodiment of the instant invention as shown in FIG. 8; and,

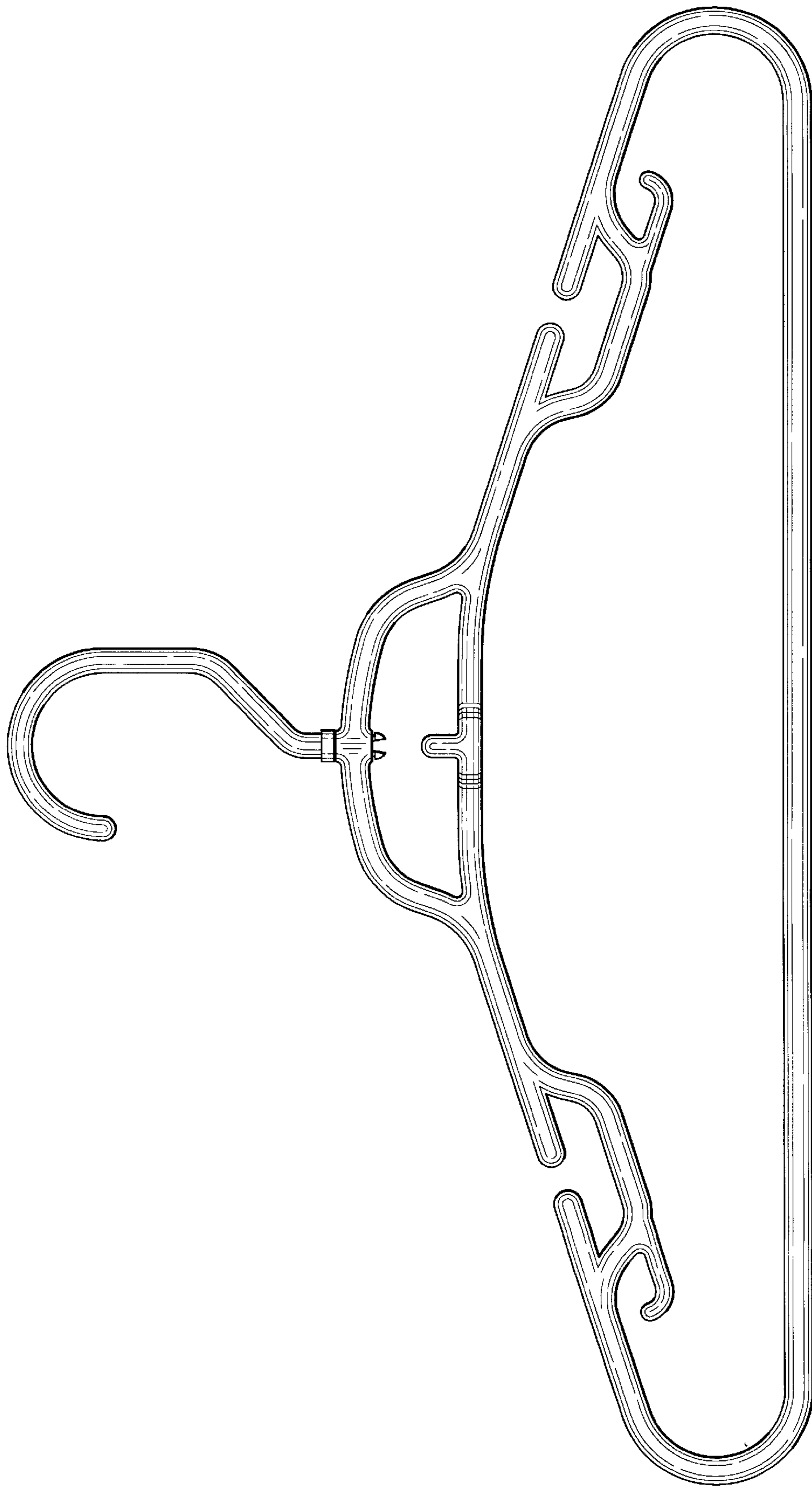
FIG. 13 is a bottom view of the swivel hanger embodiment of the instant invention as shown in FIG. 8.

**1 Claim, 9 Drawing Sheets**

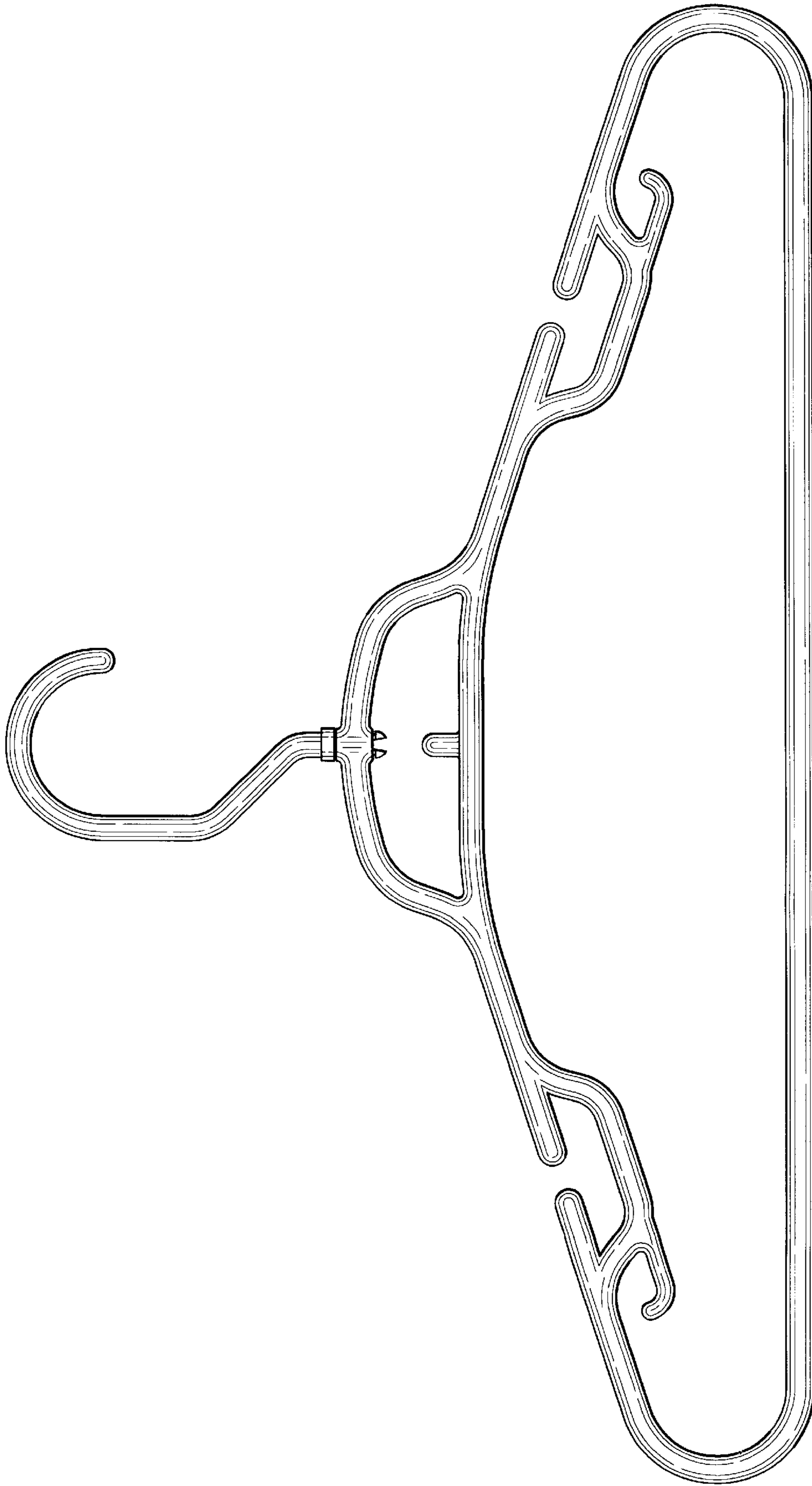




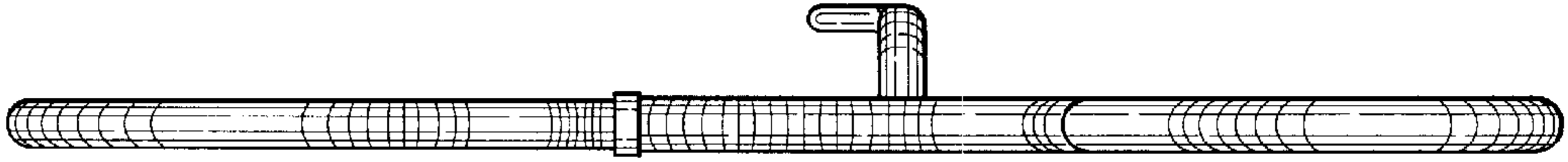
*Fig. 1*



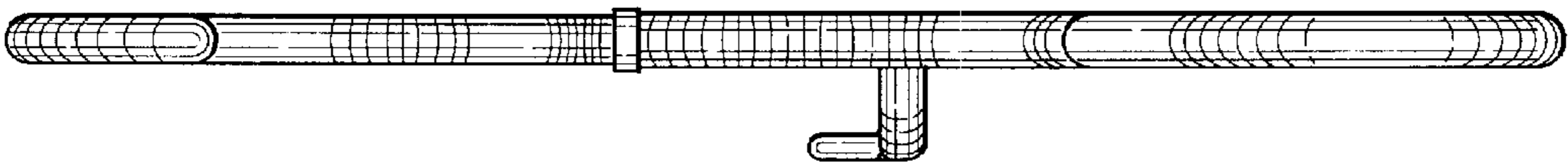
*Fig. 2*



*Fig. 3*

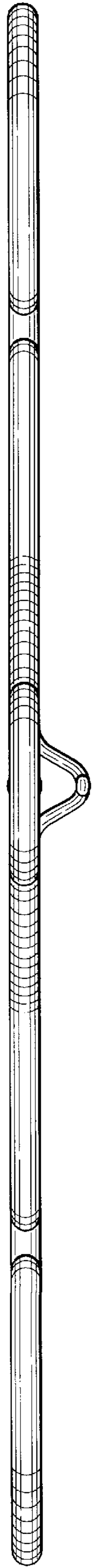


*Fig. 5*

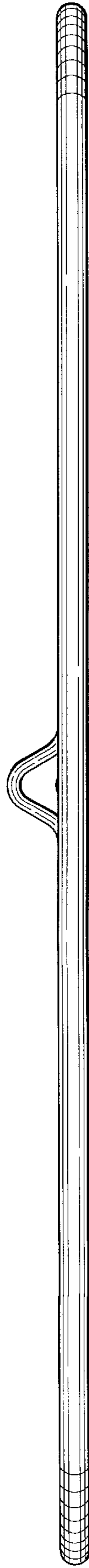


*Fig. 4*

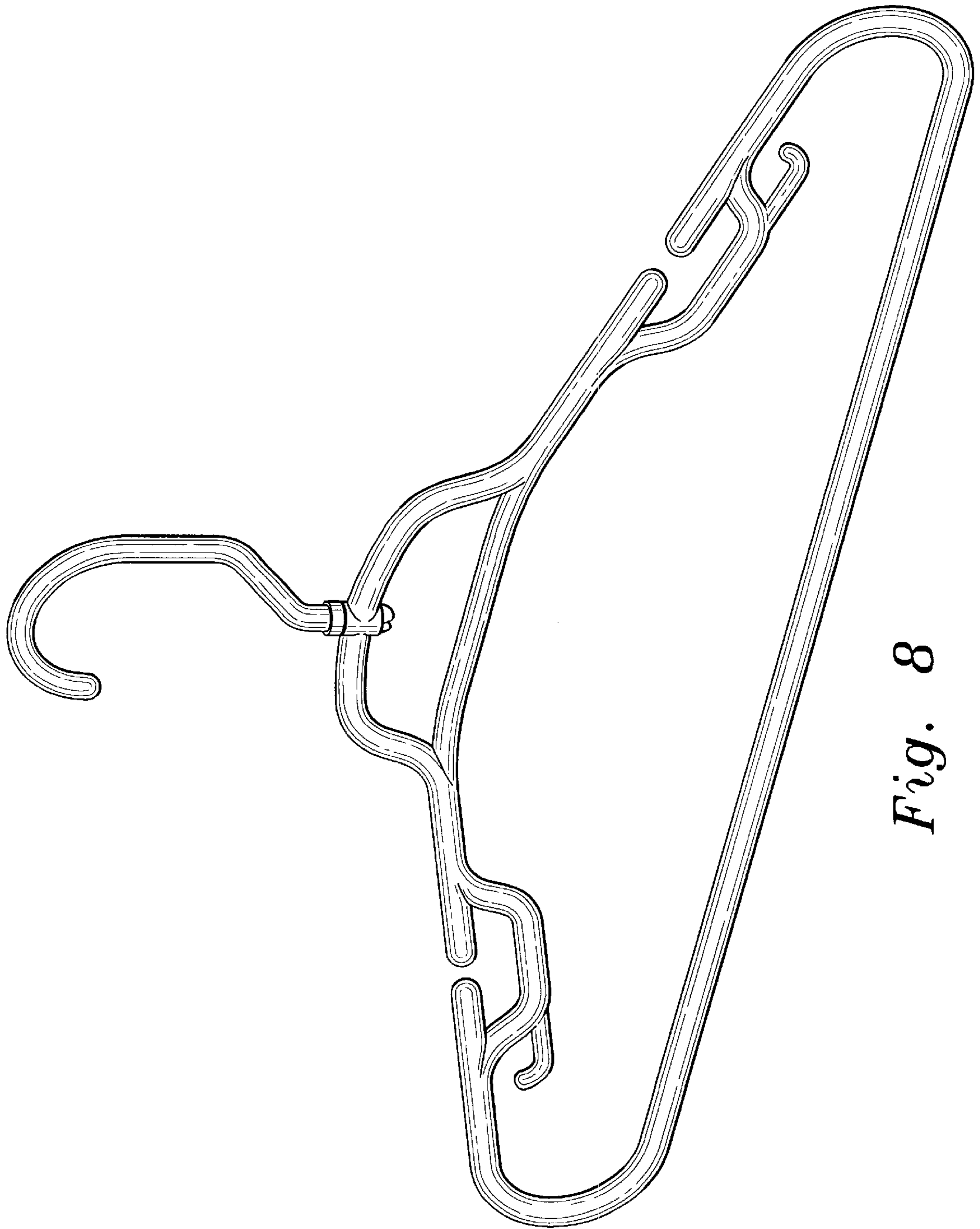




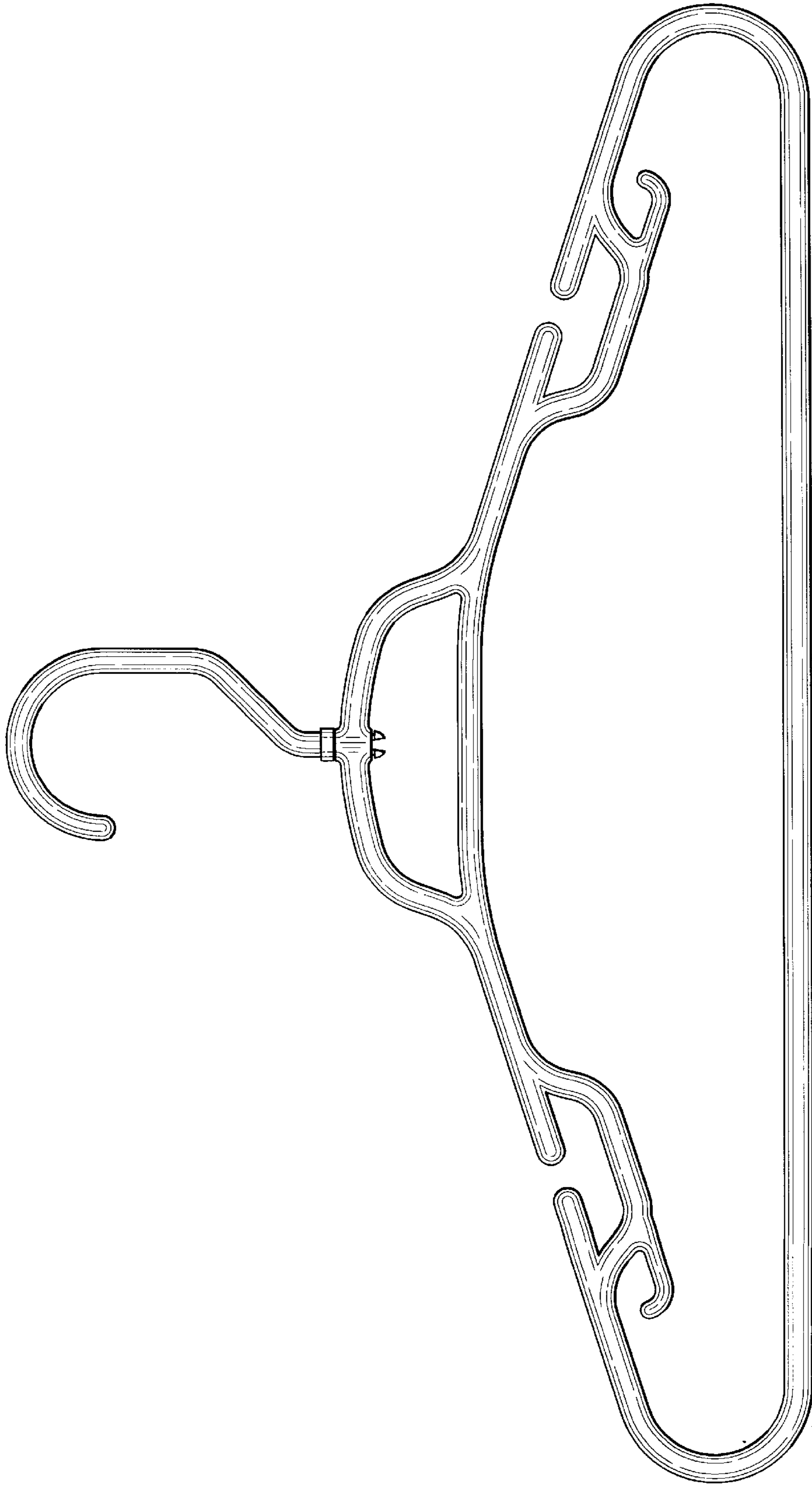
*Fig. 6*



*Fig. 7*



*Fig. 8*



*Fig. 9*





*Fig. 11*



*Fig. 10*



*Fig. 12*



*Fig. 13*