



US00D419308S

United States Patent [19]
Zaidman

[11] **Patent Number: Des. 419,308**
[45] **Date of Patent: ** Jan. 25, 2000**

[54] **WING MIRROR**

[75] Inventor: **Paul Zaidman**, Winnipeg, Canada

[73] Assignee: **Palliser Furniture, Ltd.**, Winnipeg, Canada

[**] Term: **14 Years**

[21] Appl. No.: **29/067,175**

[22] Filed: **Feb. 28, 1997**

[51] **LOC (7) Cl.** **06-07**

[52] **U.S. Cl.** **D6/302; D6/312**

[58] **Field of Search** D6/300-303, 308-314;
40/735, 748, 749, 765; 359/850, 854, 855

[56] **References Cited**

U.S. PATENT DOCUMENTS

- D. 227,213 6/1973 Adkinson D6/444
- D. 308,308 6/1990 Keller D6/444

OTHER PUBLICATIONS

- Ethan Allen c1992, p.250, #5 at right.
- Ethan Allen c1992, p.254, #2 at top.
- Ethan Allen c1992, p.270, #3 at top right.

Pennsylvania House, p.111, mirror at top right.

Foleys, Aug. 20, 1994, p.11, mirror at top right.

Ethan Allen c1992, p.256, #5 at center.

Pennsylvania House, Jun. 1994, p.103, Mirror at bottom left.

Primary Examiner—Janice E. Seeger
Attorney, Agent, or Firm—Pollock, Vande Sande & Priddy

[57] **CLAIM**

The ornamental design for a wing mirror, as shown and described.

DESCRIPTION

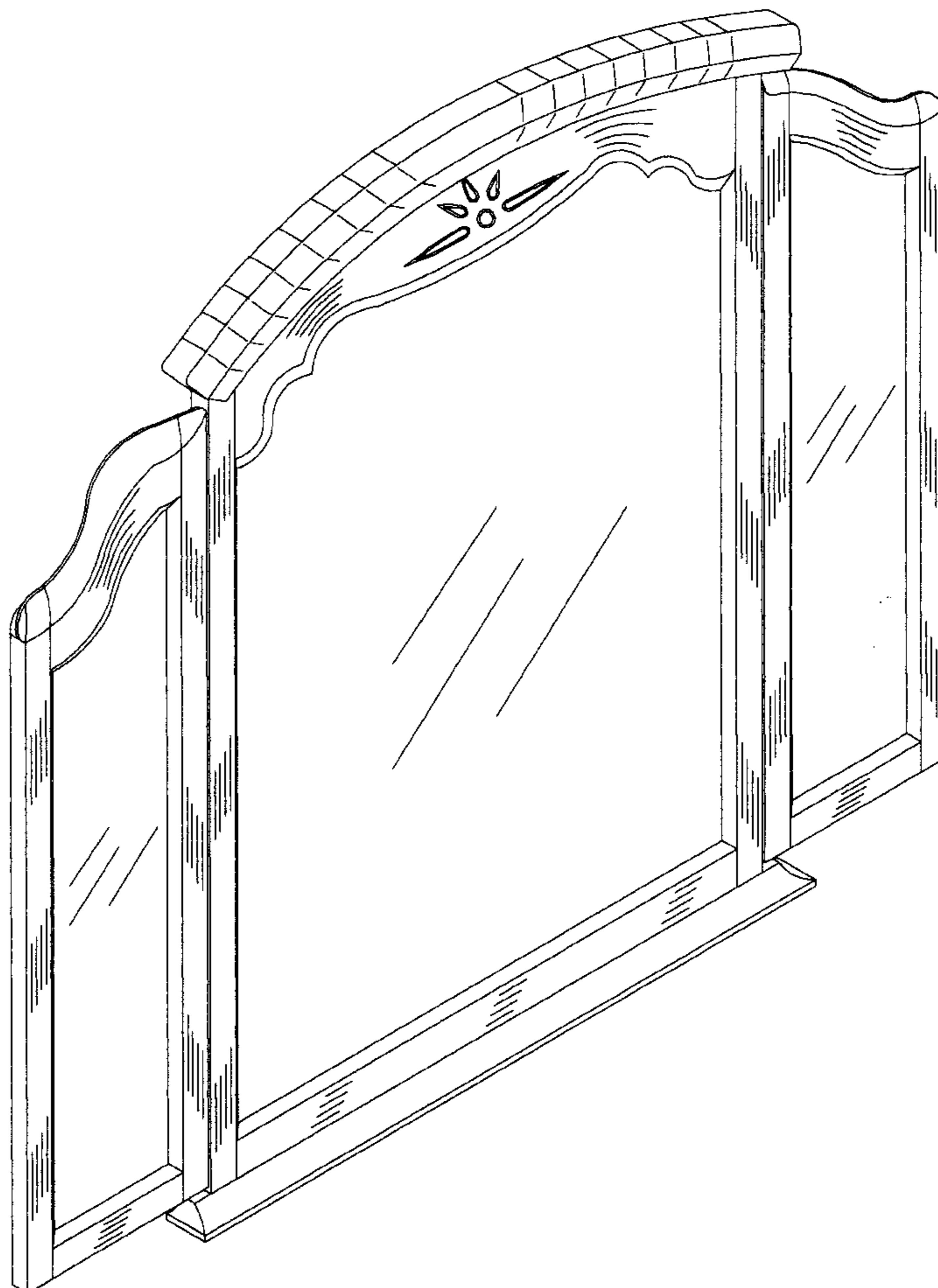
FIG. 1 is a top view of the wing mirror showing my new design;

FIG. 2 is a front view thereof;

FIG. 3 is a side elevational view, the opposite side being a mirror image thereof; and,

FIG. 4 is a right front perspective view thereof.

1 Claim, 2 Drawing Sheets



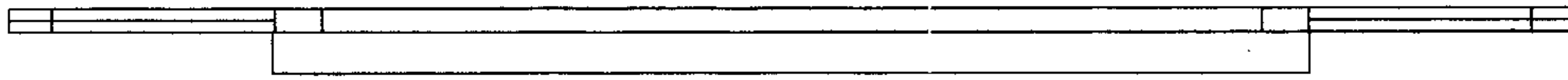


FIG. 1

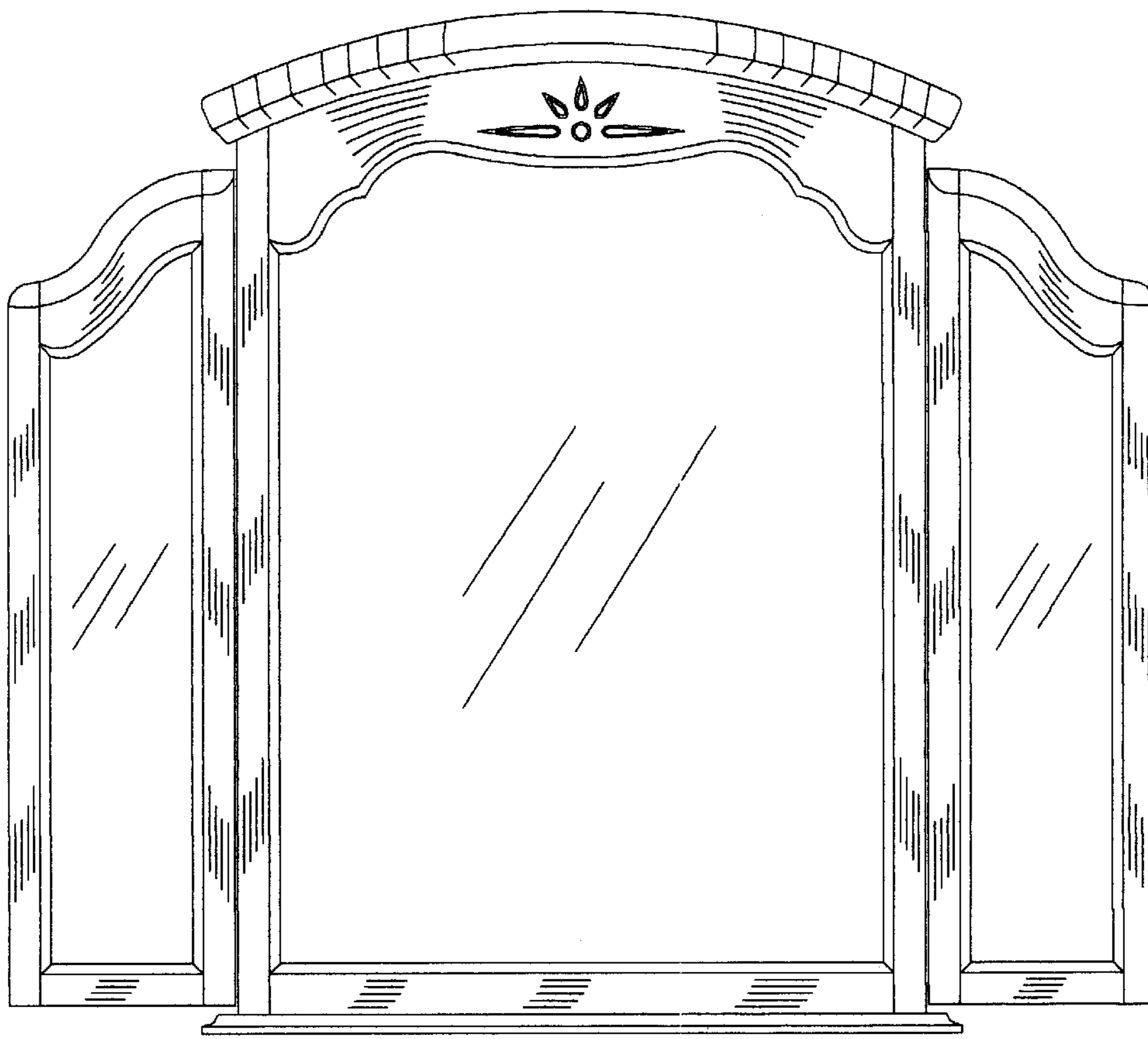


FIG. 2



FIG. 3

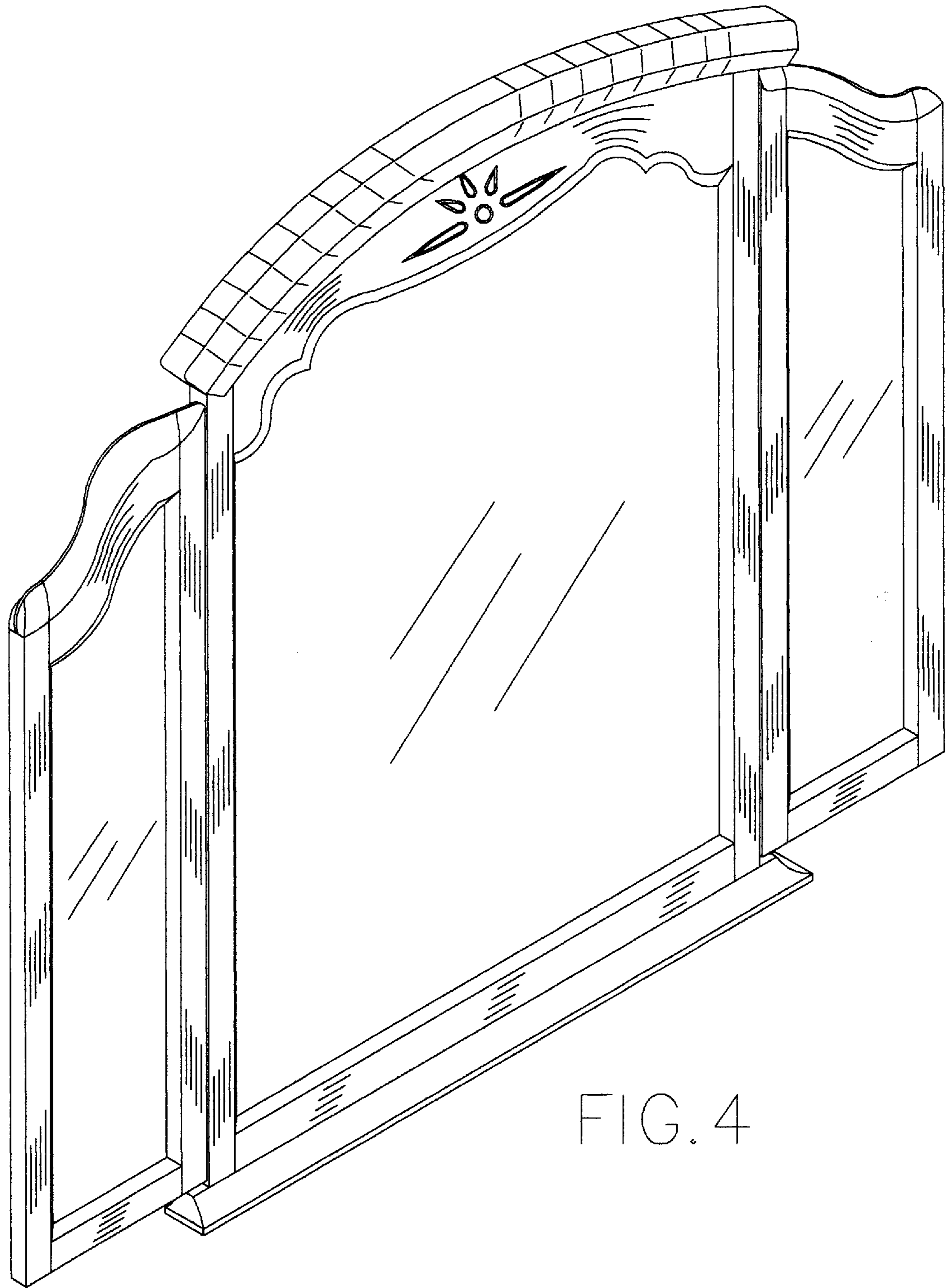


FIG. 4